



US00D474185S

(12) **United States Design Patent**
Goto

(10) **Patent No.:** **US D474,185 S**

(45) **Date of Patent:** **** May 6, 2003**

(54) **INTERFACE DEVICE FOR ELECTRONIC COMPUTER**

D458,267 S * 6/2002 Goto D14/436
D459,724 S * 7/2002 Goto D14/357

(75) Inventor: **Teiyu Goto**, Tokyo (JP)

(73) Assignee: **Sony Computer Entertainment Inc.**,
Tokyo (JP)

(**) Term: **14 Years**

(21) Appl. No.: **29/139,247**

(22) Filed: **Mar. 28, 2001**

(30) **Foreign Application Priority Data**

Nov. 10, 2000 (JP) 2000-032093
Nov. 10, 2000 (JP) 2000-032094

(51) **LOC (7) Cl.** **14-02**

(52) **U.S. Cl.** **D14/439; D14/433**

(58) **Field of Search** D14/432, 433,
D14/436, 242, 357; D13/184, 199, 162;
360/99.01-99.12; 361/690-696, 728-736;
379/142.15

(56) **References Cited**

U.S. PATENT DOCUMENTS

D327,879 S * 7/1992 Lou D14/433
D348,873 S * 7/1994 Mizusugi et al. D14/357
D368,266 S * 3/1996 McClain et al. D14/242

OTHER PUBLICATIONS

International Computer Trade, Issue 183 (Mar. 1, 1999).
“The Key to Top Production Efficiency” Electronic Com-
ponents, p. 60, (Mar. 2000).

* cited by examiner

Primary Examiner—Kay H. Chin

(74) *Attorney, Agent, or Firm*—Rader, Fishman & Grauer
PLLC

(57) **CLAIM**

The ornamental design for an interface device for electronic
computer, as shown.

DESCRIPTION

FIG. 1 is a front perspective view of an interface unit for a
computer showing my new design;
FIG. 2 is a rear perspective view thereof;
FIG. 3 is a front elevational view thereof;
FIG. 4 is a rear elevational view thereof;
FIG. 5 is a left side elevational view thereof;
FIG. 6 is a right side elevational view thereof;
FIG. 7 is a top plan view thereof; and,
FIG. 8 is a bottom plan view thereof.

1 Claim, 3 Drawing Sheets

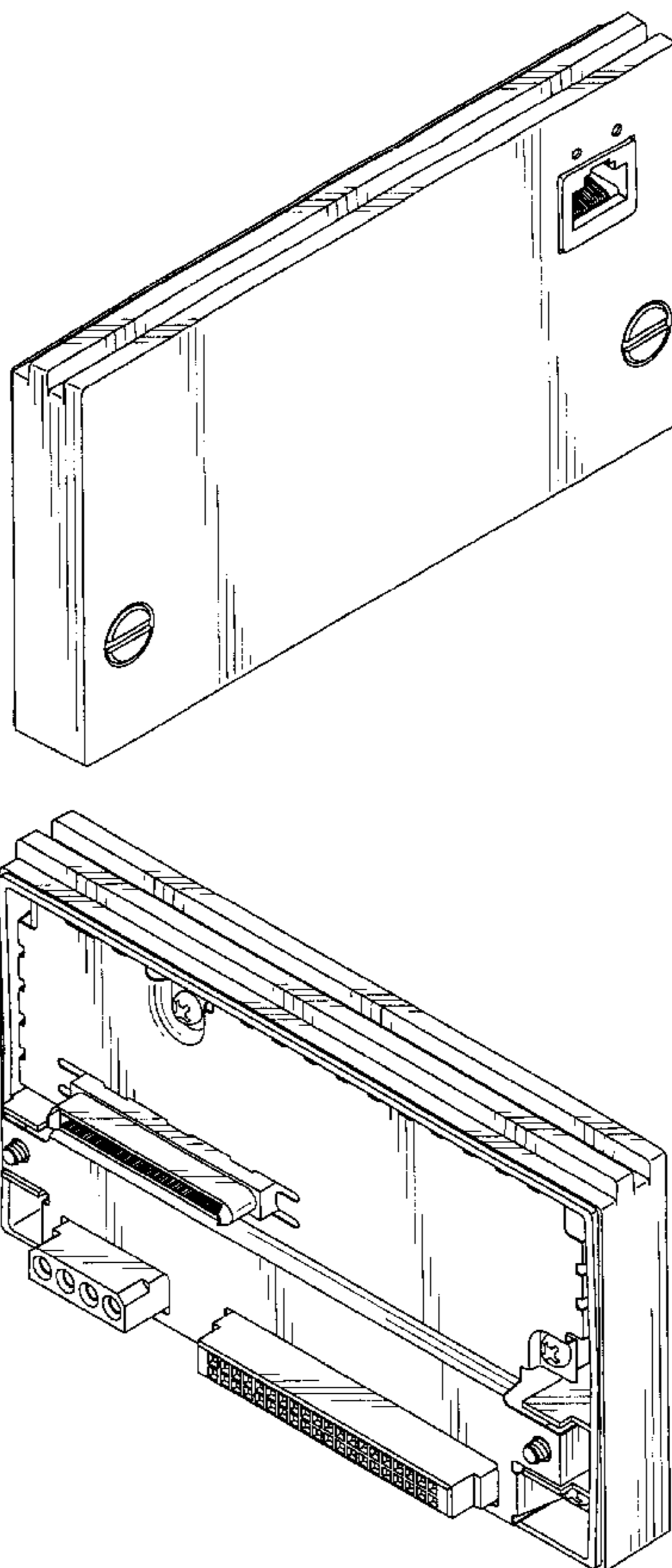


FIG. 1

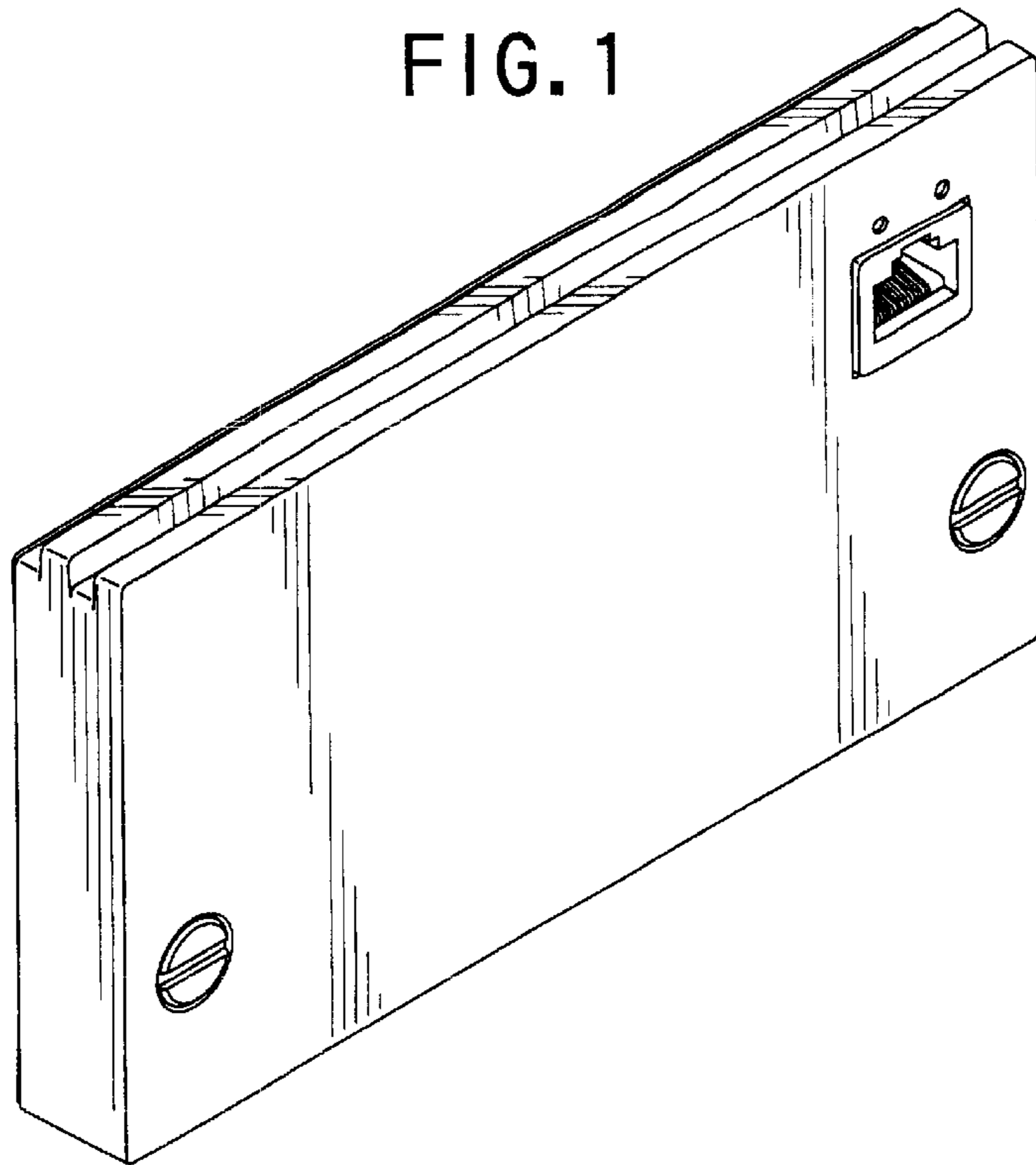


FIG. 2

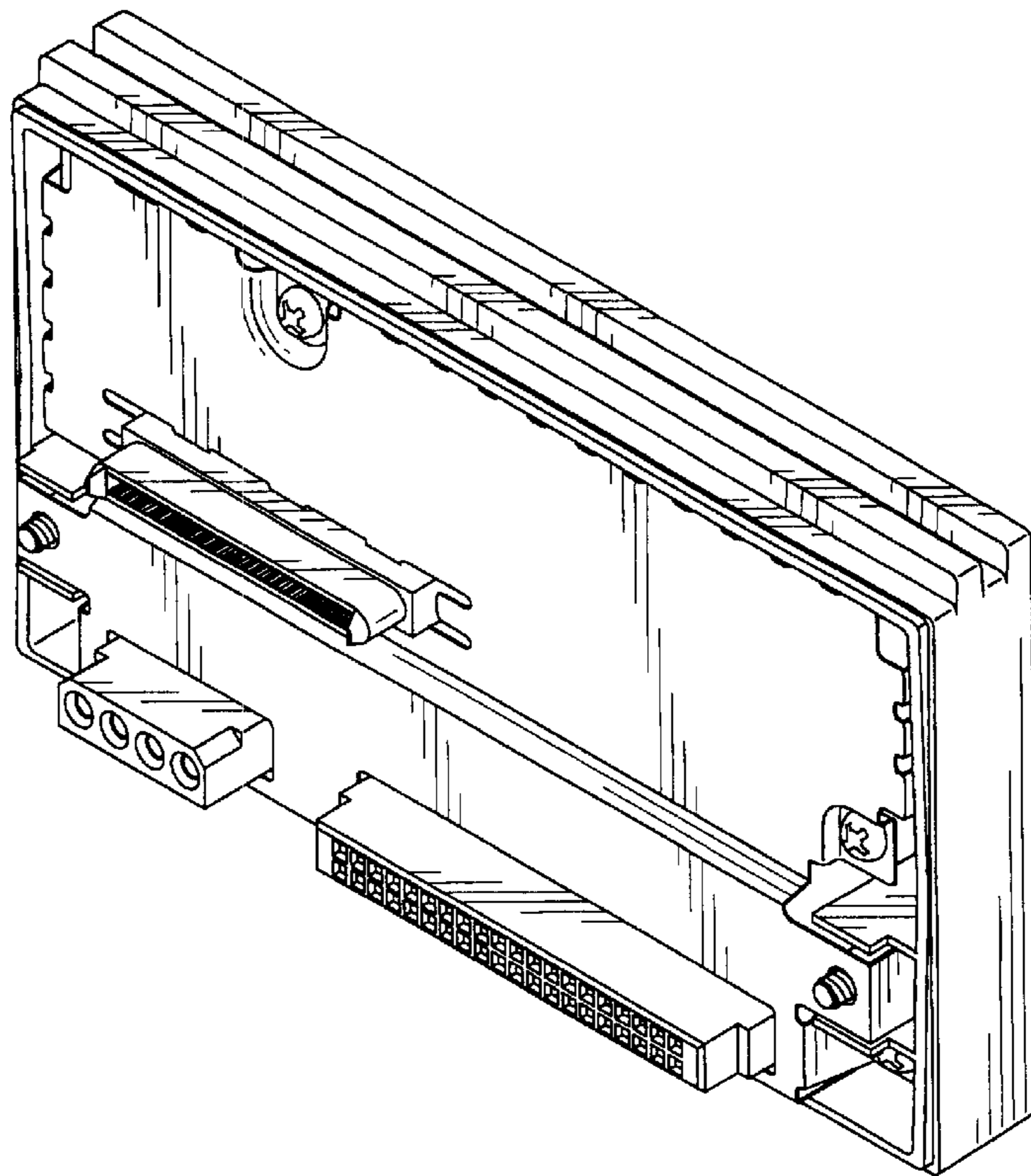


FIG. 3

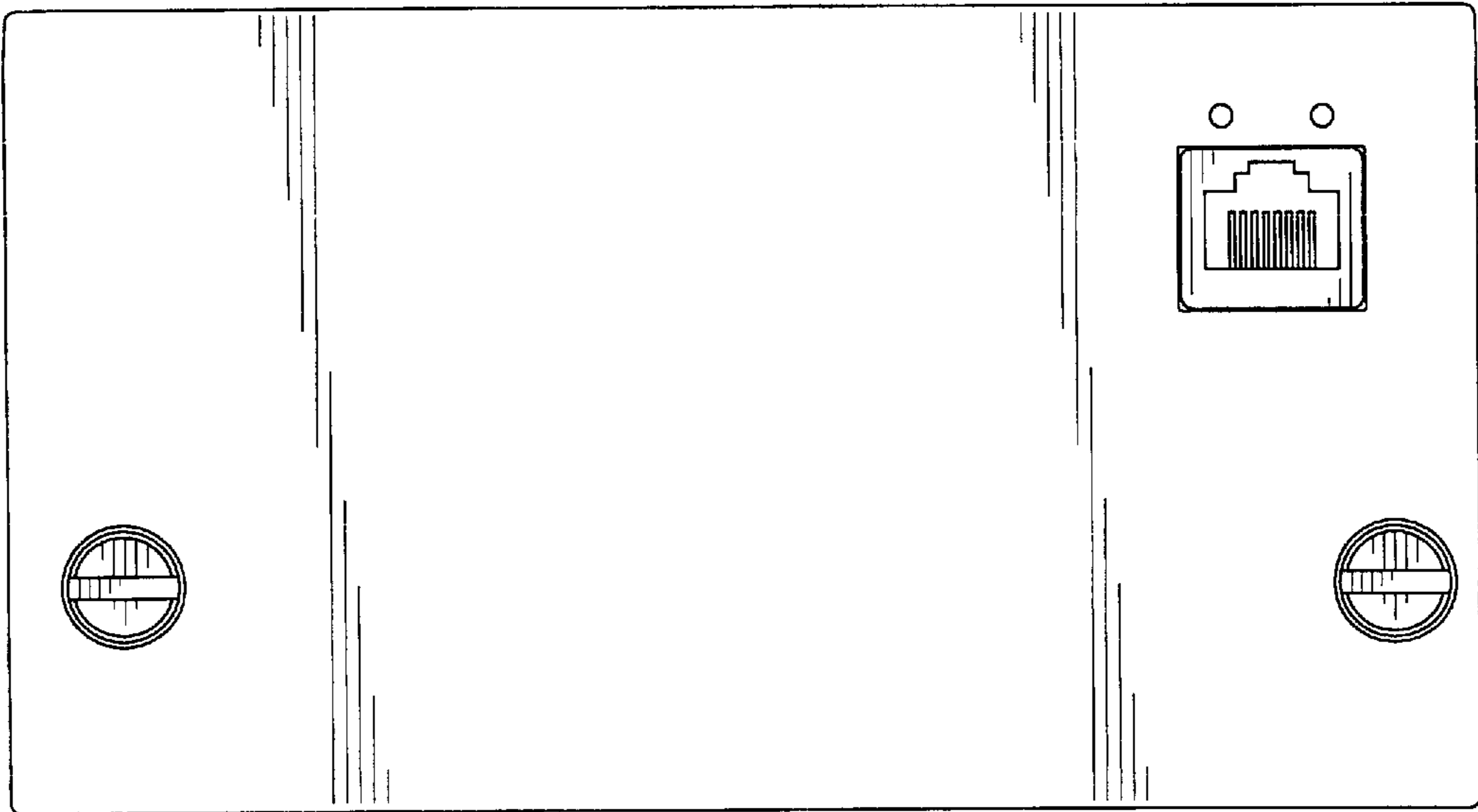


FIG. 4

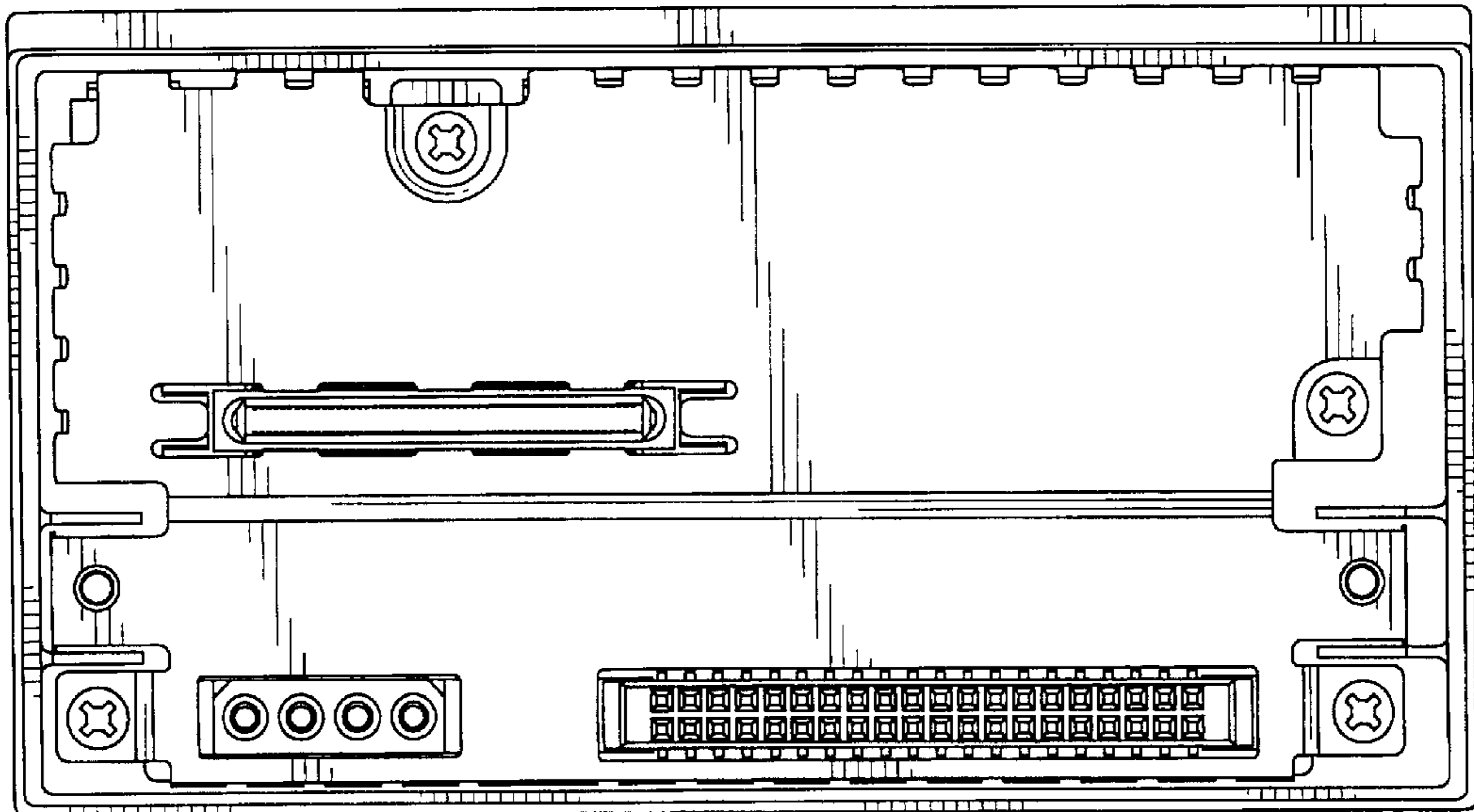


FIG. 5

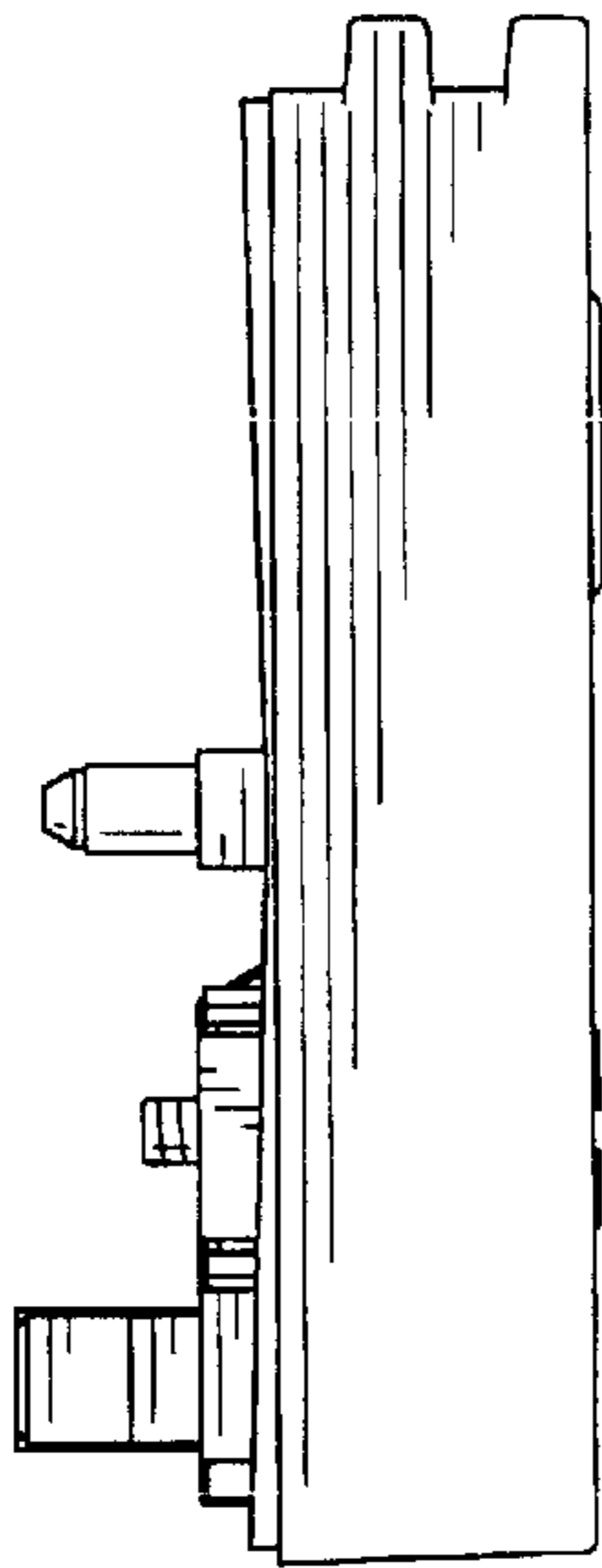


FIG. 6

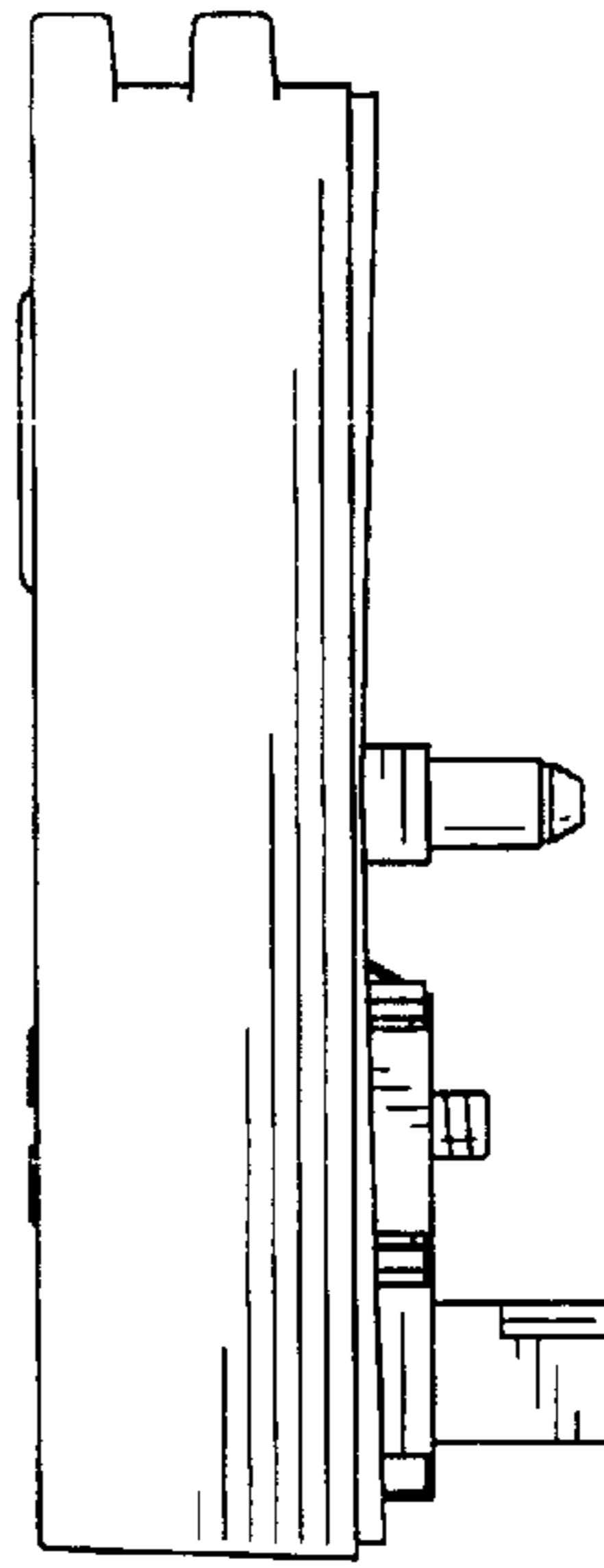


FIG. 7

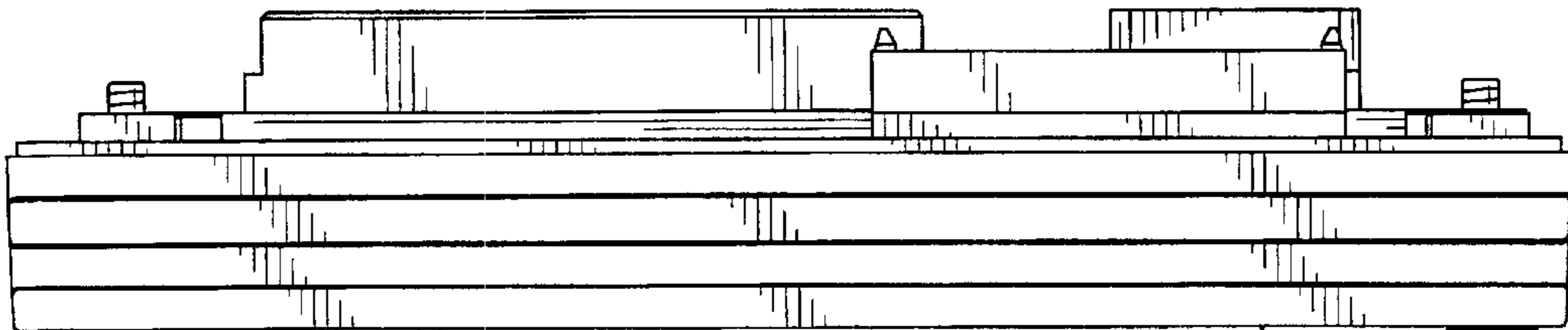


FIG. 8

