



US00D474183S

(12) **United States Design Patent**
Mesa

(10) **Patent No.:** **US D474,183 S**

(45) **Date of Patent:** **** *May 6, 2003**

(54) **REMOTE CONTROL WITH RETRACTABLE CORD**

(76) **Inventor:** **Luis E Mesa**, 15379 SW. 57th St.,
Miami, FL (US) 33193

(*) **Notice:** This patent is subject to a terminal disclaimer.

(**) **Term:** **14 Years**

(21) **Appl. No.:** **29/128,861**

(22) **Filed:** **Sep. 1, 2000**

(51) **LOC (7) Cl.** **14-02**

(52) **U.S. Cl.** **D14/413; D21/333**

(58) **Field of Search** D21/324, 329-333;
D14/412-416, 426, 427, 454; 463/1, 30-37,
46, 47; 346/905, 156-167; 273/148 B

(56) **References Cited**

U.S. PATENT DOCUMENTS

4,300,665 A	11/1981	Arechaga	
D271,220 S	11/1983	Fox et al.	
4,509,383 A	4/1985	Yeh	
4,735,377 A	4/1988	Zuehsow	
5,168,969 A	12/1992	Mayhew	
D354,994 S	* 1/1995	Bender et al.	D14/413
5,394,168 A	* 2/1995	Smith, III et al.	463/37

5,489,010 A	2/1996	Rogers	
5,662,193 A	9/1997	Ness	
5,759,100 A	* 6/1998	Nakanishi	463/37
D402,976 S	* 12/1998	Heung	D14/413
5,923,317 A	* 7/1999	Sayler et al.	345/156
D431,604 S	* 10/2000	Chan	D14/413
D443,617 S	* 6/2001	Goto	D14/413

* cited by examiner

Primary Examiner—Prabhakar Deshmukh

(57) **CLAIM**

The ornamental design for a remote control with retractable cord, as shown and described.

DESCRIPTION

FIG. 1 is a front elevational view of the remote control with retractable cord of the present invention;
 FIG. 2 is a rear elevational view of the remote control with retractable cord of FIG. 1;
 FIG. 3 is a right side elevational view of the remote control with retractable cord of FIG. 1;
 FIG. 4 is a left side elevational view of the remote control with retractable cord of FIG. 1;
 FIG. 5 is a top plan view of the remote control with retractable cord of FIG. 1; and,
 FIG. 6 is a bottom plan view of the remote control with retractable cord of FIG. 1.

1 Claim, 4 Drawing Sheets

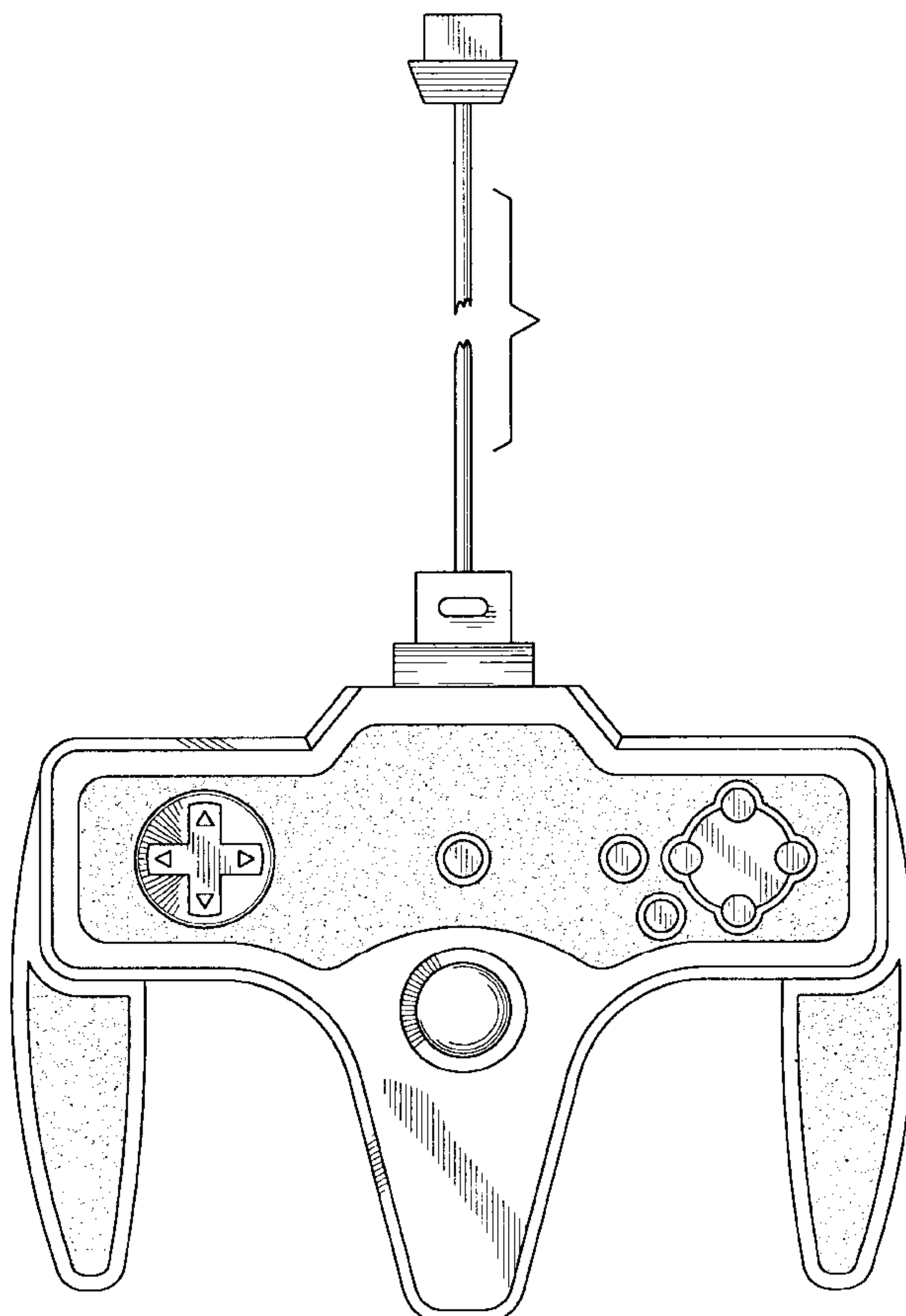


FIG. 1

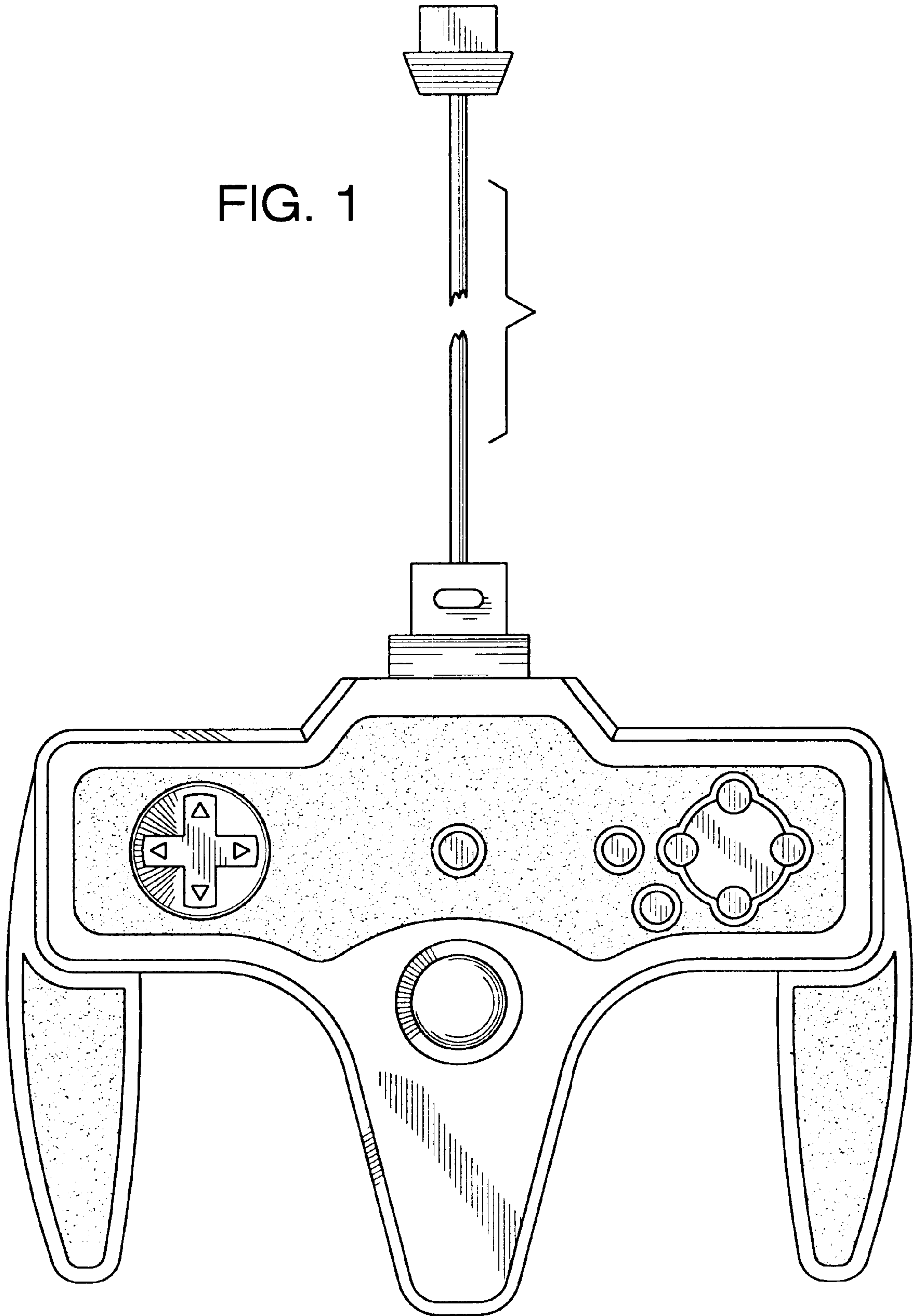


FIG. 2

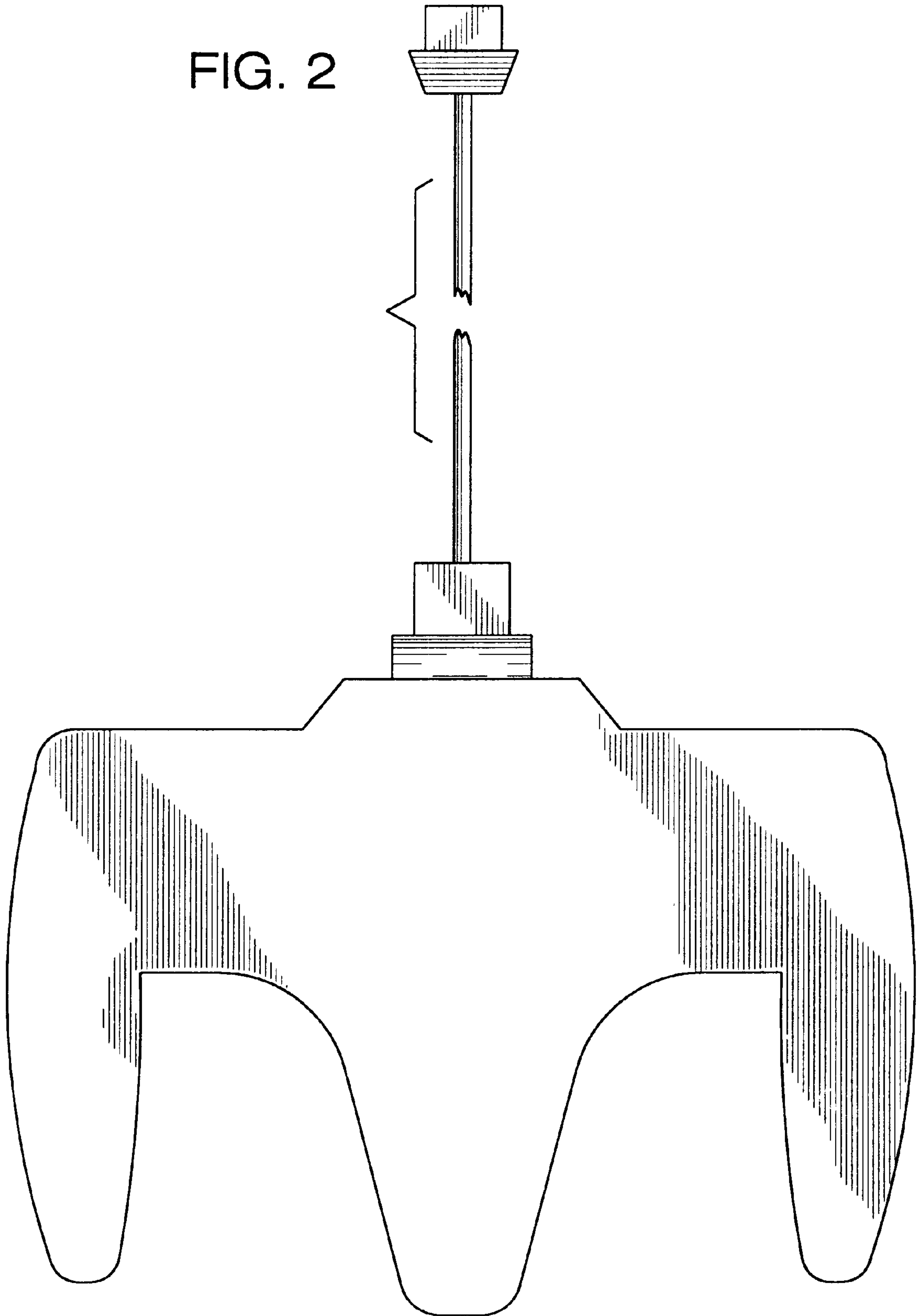


FIG.3

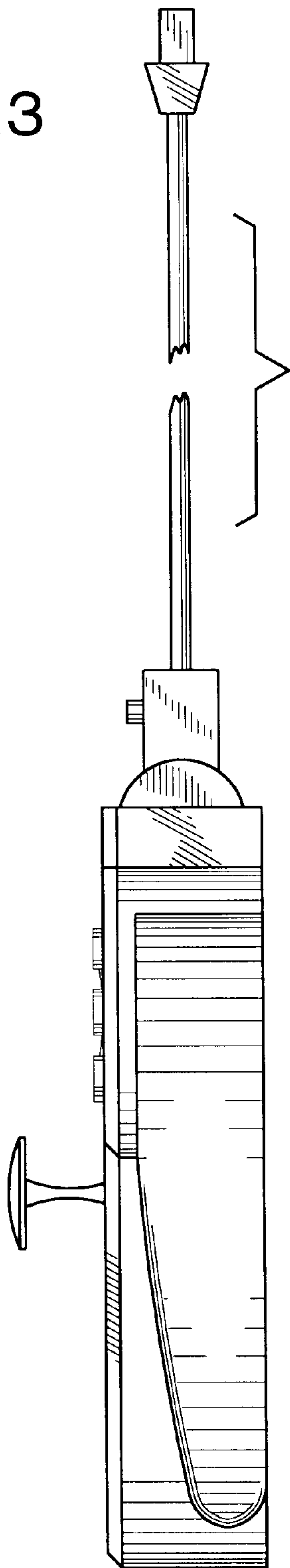
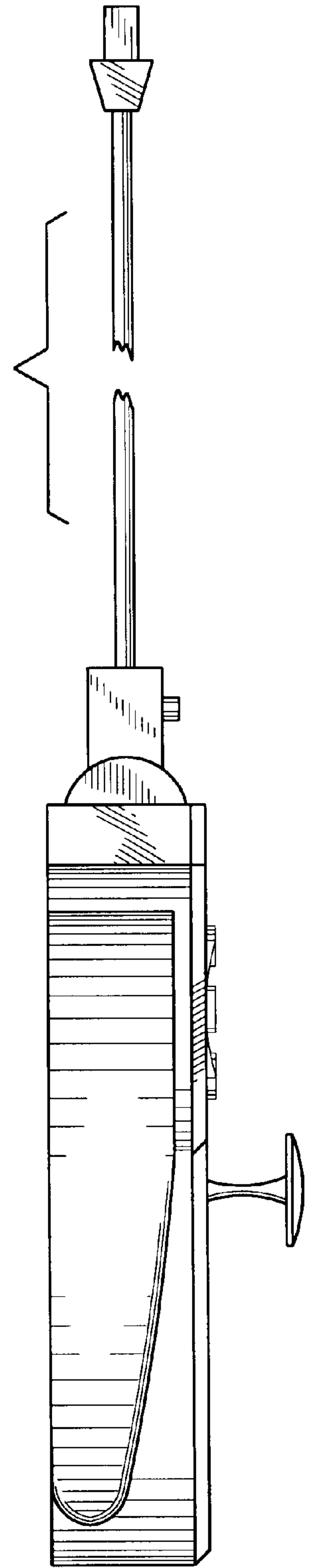


FIG.4



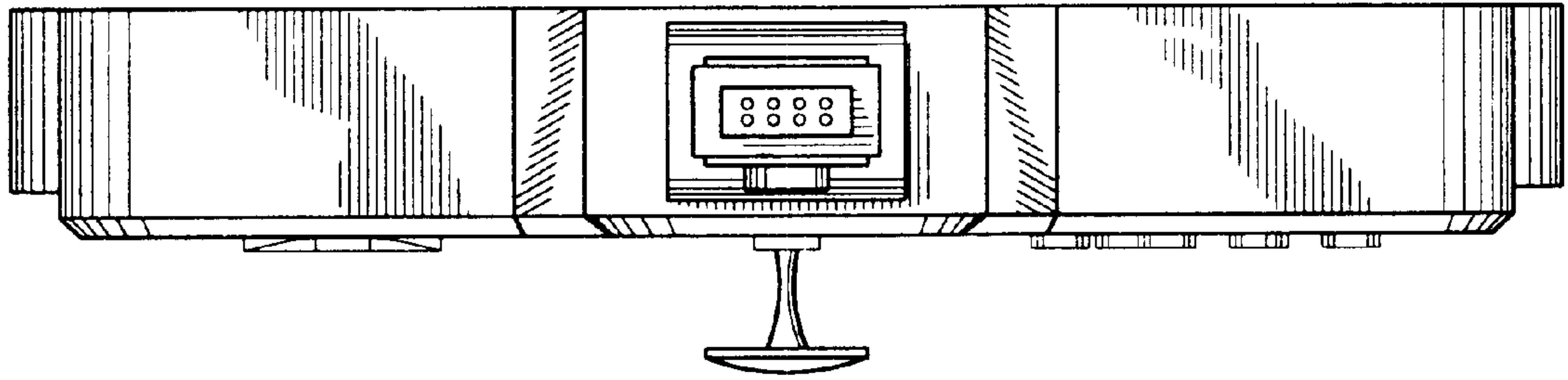


FIG. 5

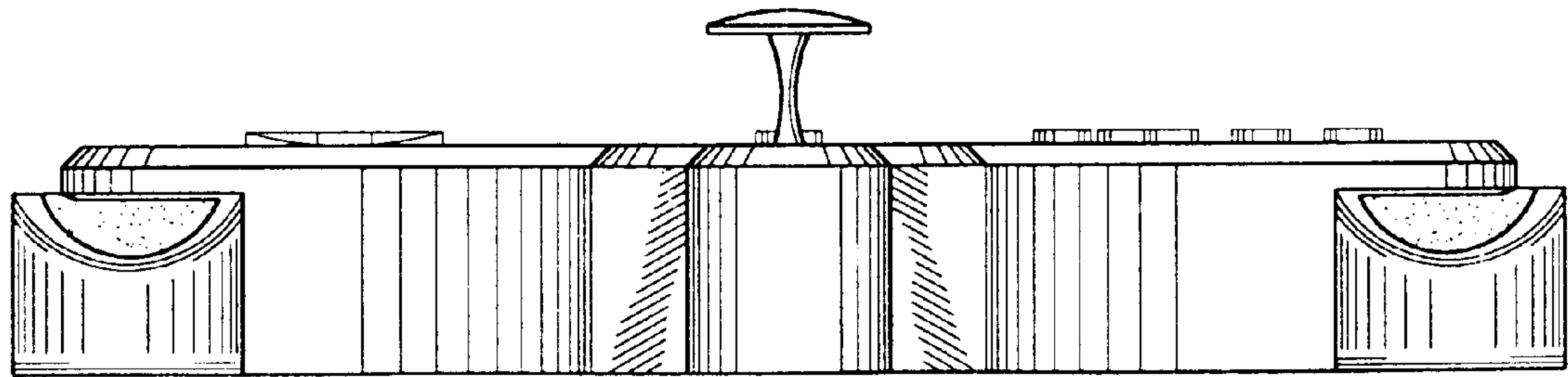


FIG. 6