



US00D474180S

(12) **United States Design Patent**
Searby et al.

(10) **Patent No.:** **US D474,180 S**
(45) **Date of Patent:** **** May 6, 2003**

(54) **COMPUTER WORKSTATION**

(75) Inventors: **Tom J. Searby**, Greeley, CO (US);
Sean William Tucker, Loveland, CO (US)

(73) Assignee: **Hewlett-Packard Company**, Palo Alto, CA (US)

(**) Term: **14 Years**

(21) Appl. No.: **29/168,511**

(22) Filed: **Oct. 3, 2002**

Related U.S. Application Data

(62) Division of application No. 29/152,667, filed on Dec. 21, 2001.

(51) **LOC (7) Cl.** **14-02**

(52) **U.S. Cl.** **D14/313**

(58) **Field of Search** D14/361-363,
D14/348, 313, 356, 368; D13/162, 184,
199; 312/223.1-223.3; 360/99.01-99.12;
361/690-696; 369/34.01, 36.01

(56) **References Cited**

U.S. PATENT DOCUMENTS

D309,448 S * 7/1990 Aderman et al. D14/368
D316,546 S * 4/1991 Pedinielli et al. D14/242
D350,333 S * 9/1994 Sharp D14/355

* cited by examiner

Primary Examiner—Freda Nunn

(57) **CLAIM**

The ornamental design for a computer workstation, as shown and described.

DESCRIPTION

FIG. 1 is an isometric view from the front showing the front, left and top sides of a preferred embodiment of our design.

FIG. 2 is an elevation view from the front showing the front side of a preferred embodiment of our design.

FIG. 3 is an elevation view from the left showing the left side of a preferred embodiment of our design.

FIG. 4 is an elevation view from the back showing the back side of a preferred embodiment of our design.

FIG. 5 is an elevation view from the right showing the right side of a preferred embodiment of our design.

FIG. 6 is a plan view from the top showing the top side of a preferred embodiment of our design.

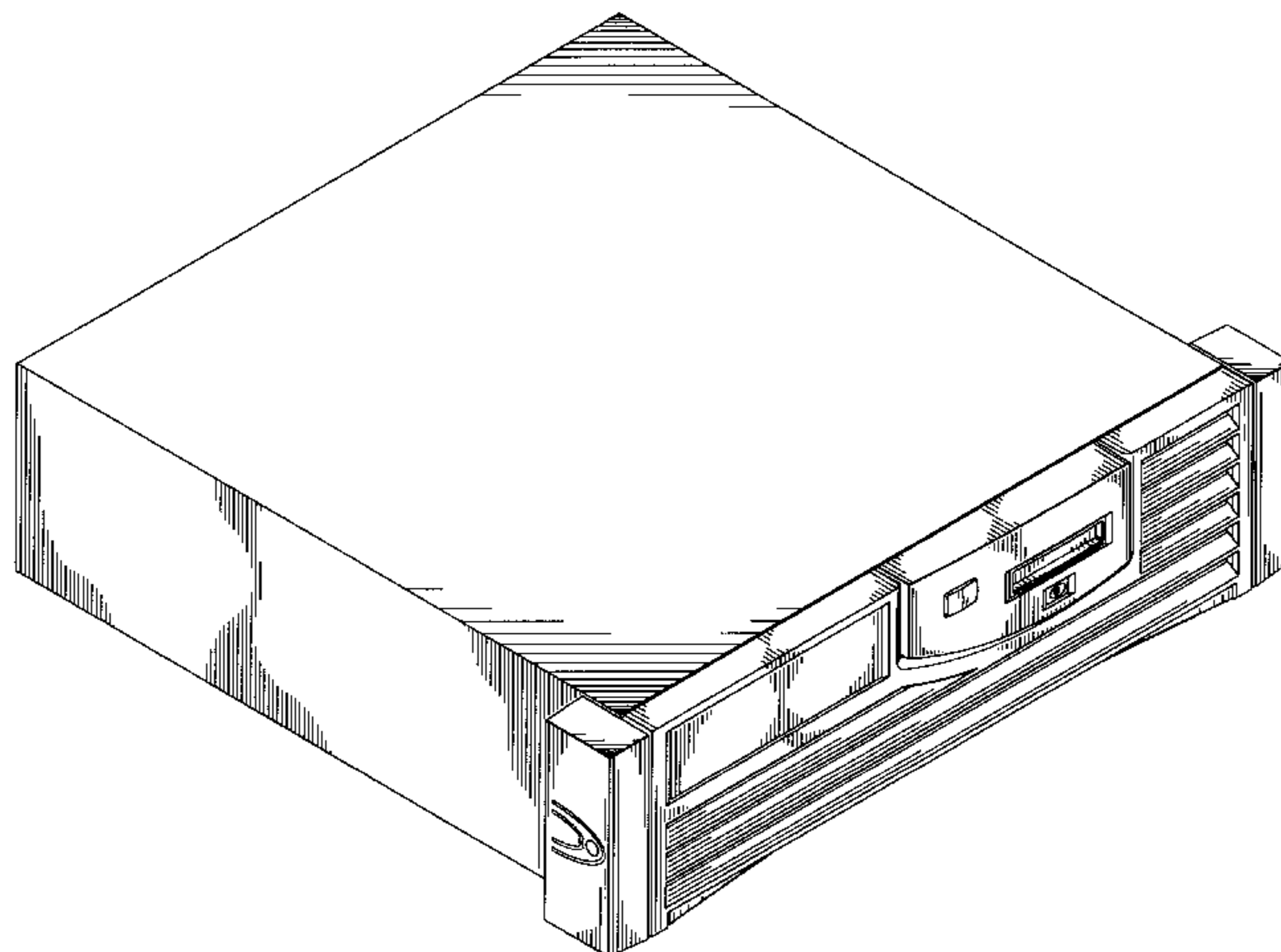
FIG. 7 is a plan view from the bottom showing the bottom side of a preferred embodiment of our design.

FIG. 8 is an isometric view from the front showing the front, bottom and left sides of a preferred embodiment of our design; and,

FIG. 9 is an isometric view from the front showing the front, top and left sides of a preferred embodiment of our design for a computer workstation being mounted in an exemplary rack, such exemplary rack being shown in phantom line to illustrate the environment in which our design for a computer workstation may be implemented and which forms no part of the claimed design. Thus, embodiments of our design may be implemented as a rack mounted computer workstation.

It should be understood that the descriptions used herein for describing orientation (e.g., front, back, top, bottom, right, and left) are merely for reference, and the design may be disposed in any manner and still be within the scope of the present invention.

1 Claim, 6 Drawing Sheets



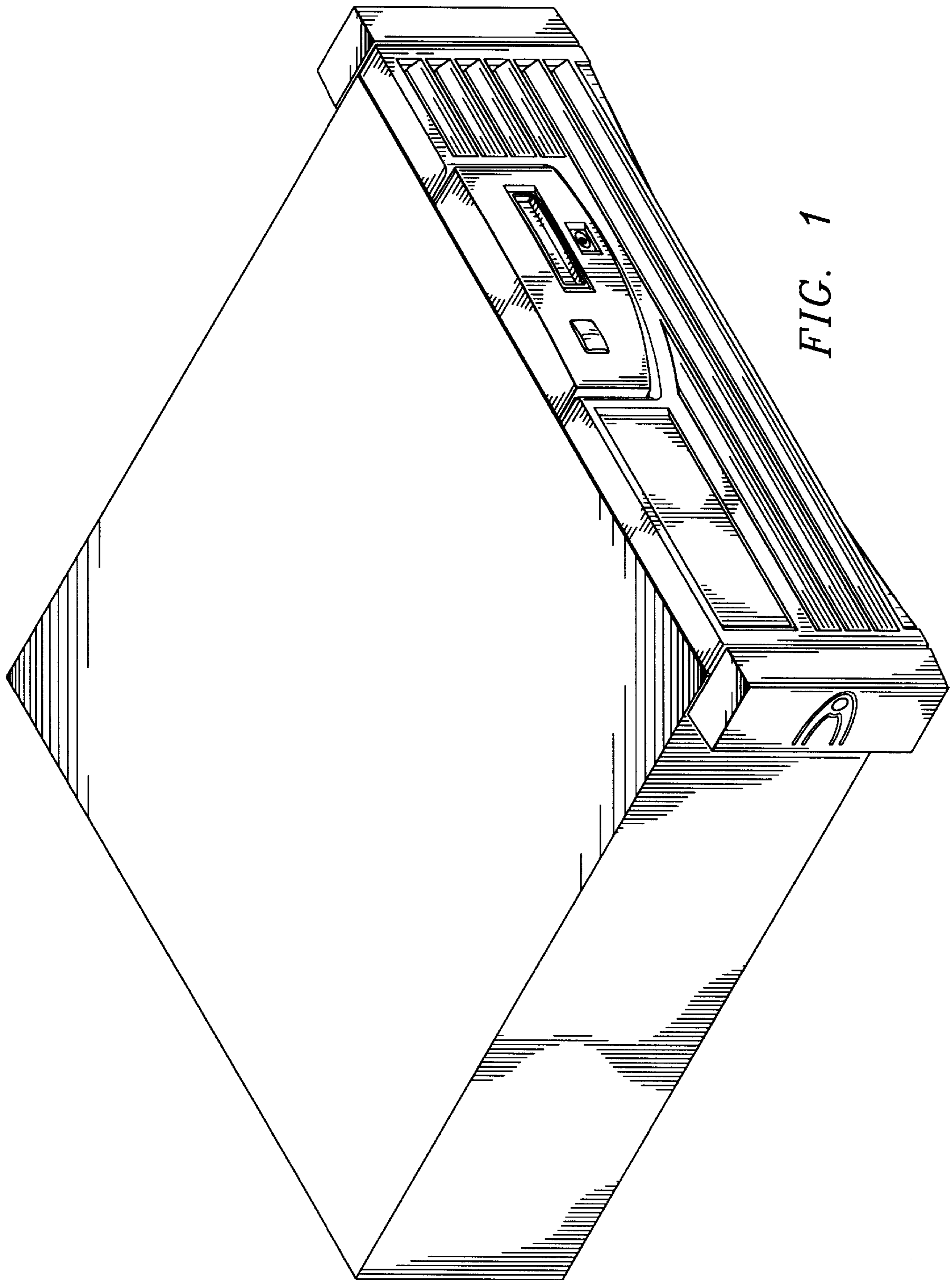


FIG. 1

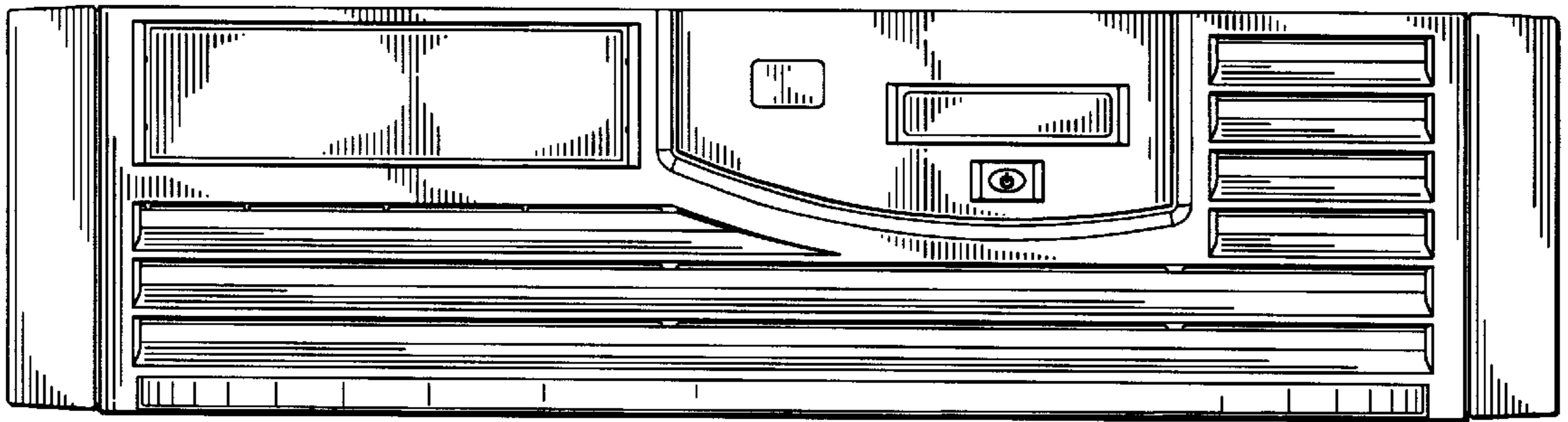


FIG. 2

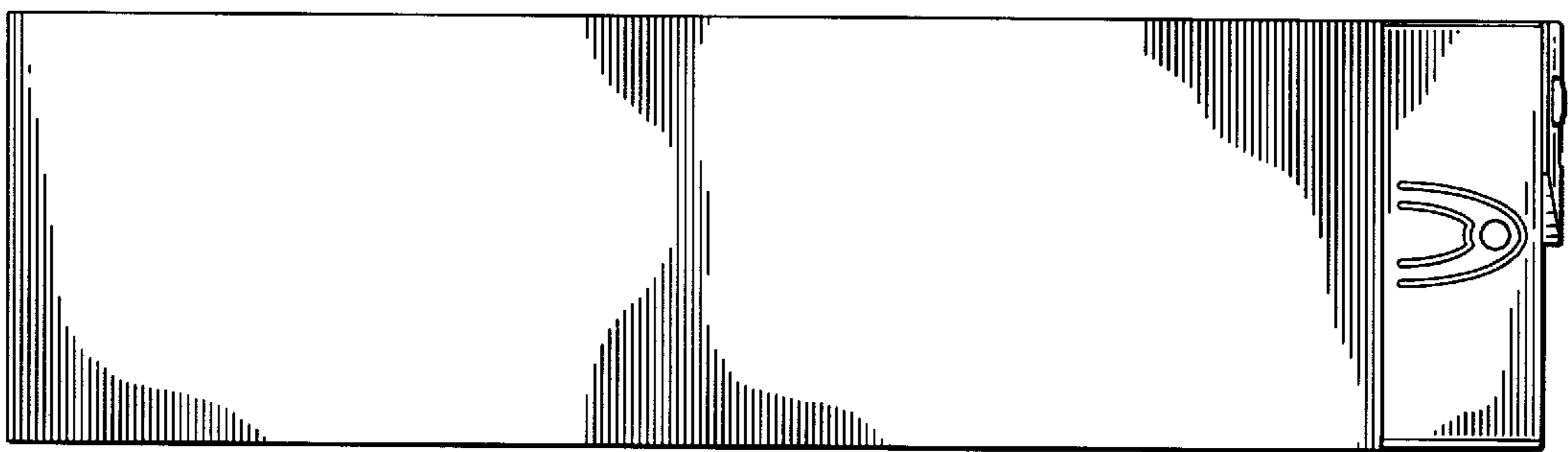


FIG. 3

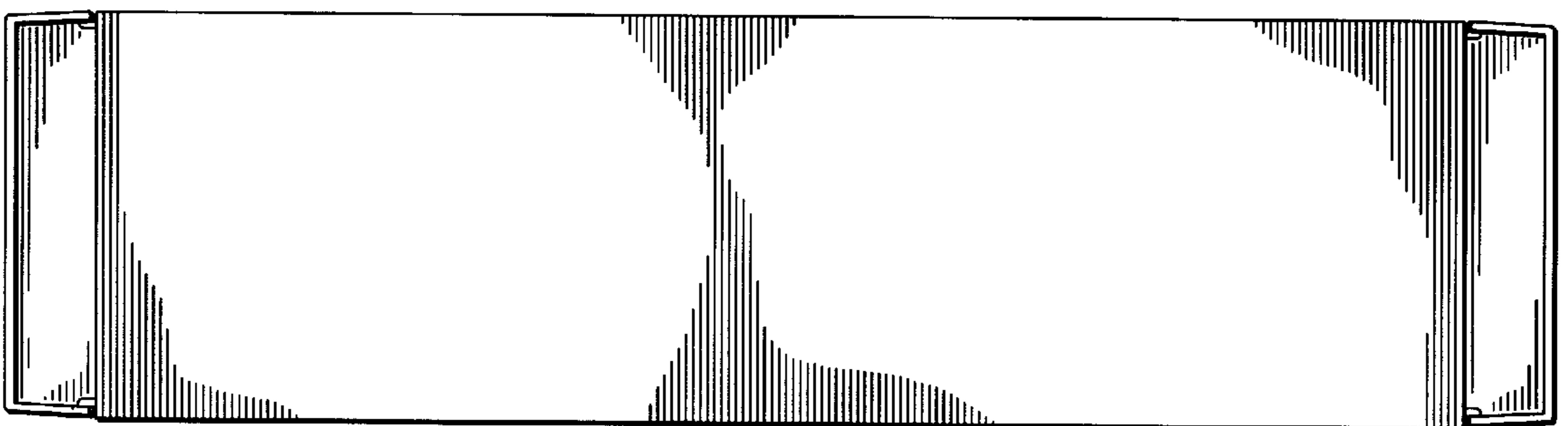


FIG. 4

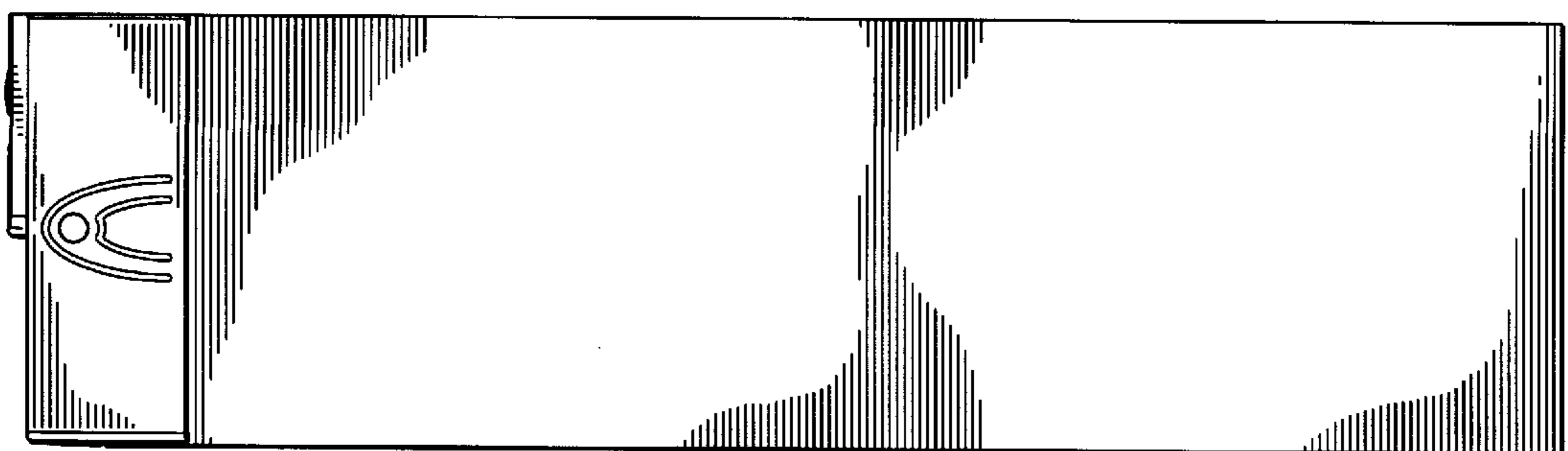


FIG. 5

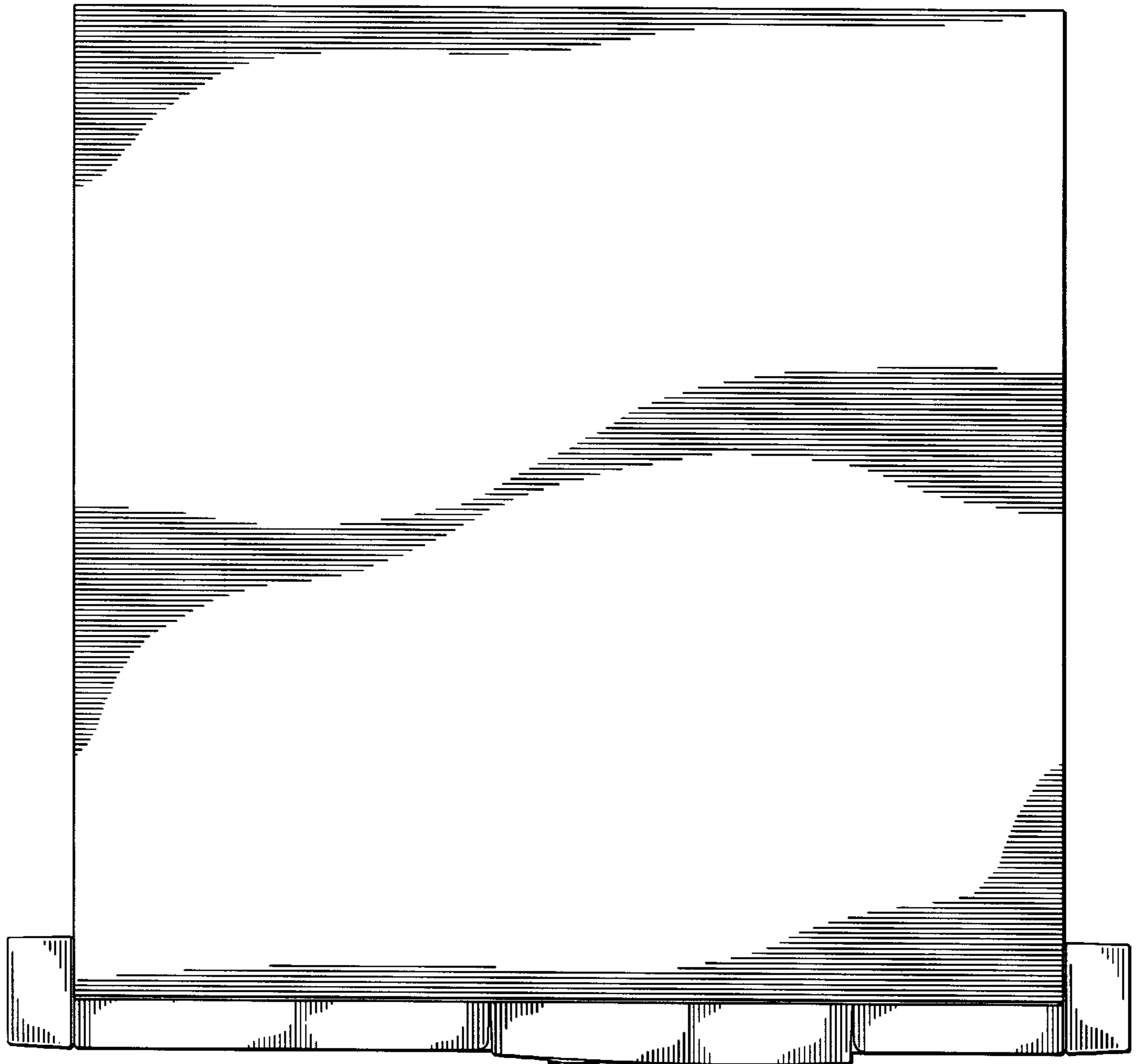


FIG. 6

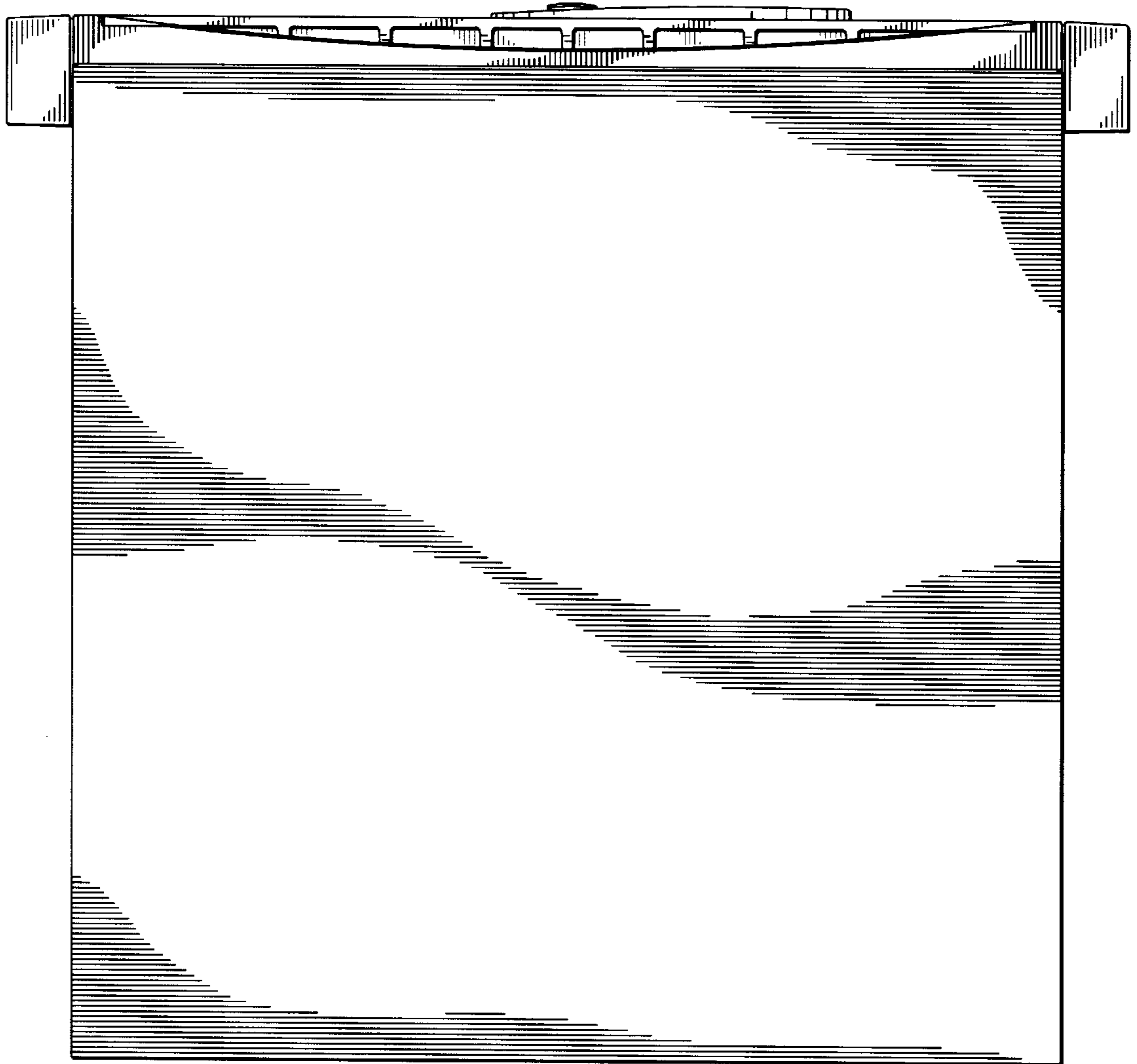


FIG. 7

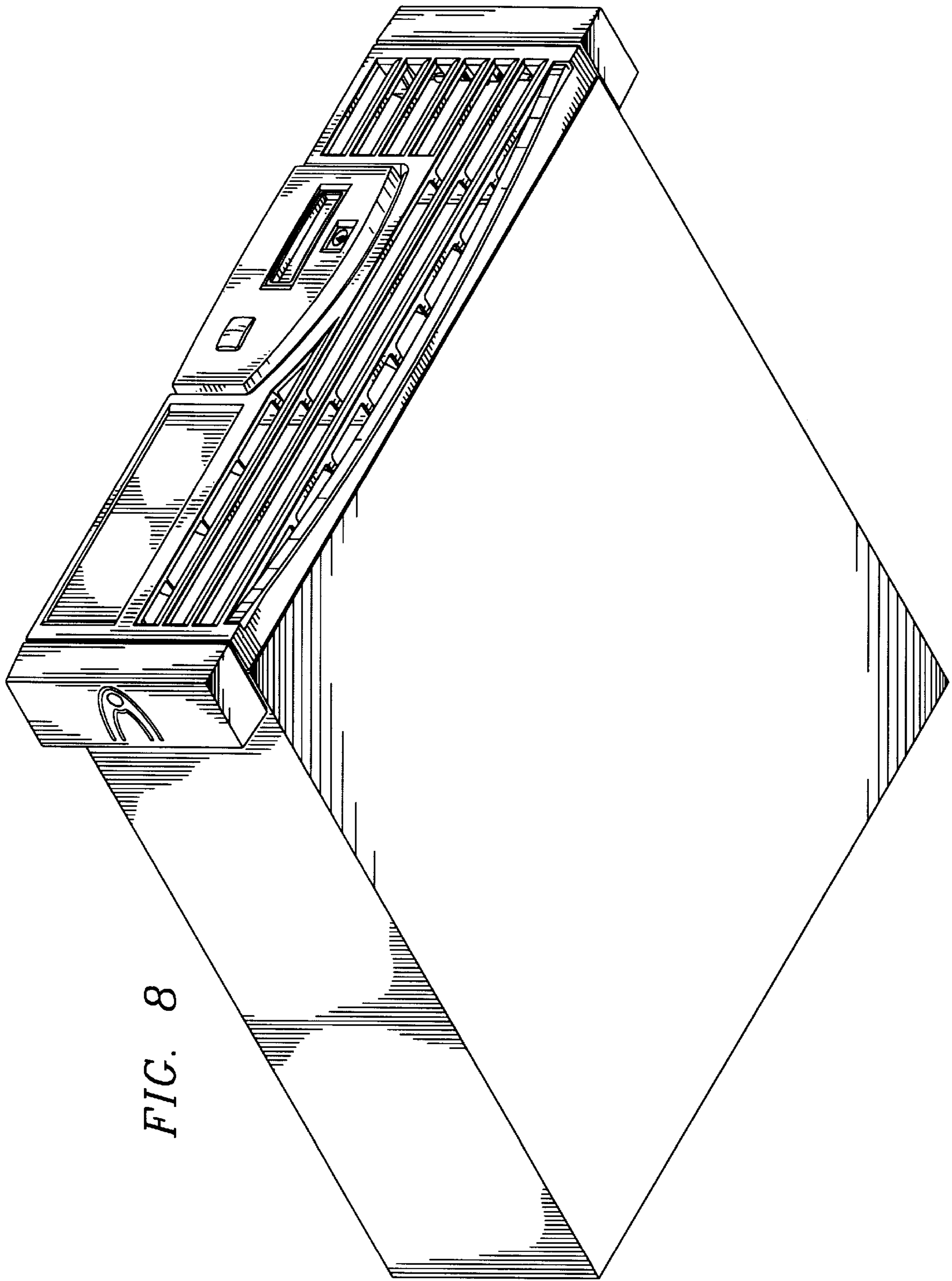


FIG. 8

FIG. 9

