



US00D474172S

(12) **United States Design Patent**  
**Jacobson**

(10) **Patent No.:** **US D474,172 S**

(45) **Date of Patent:** **\*\* May 6, 2003**

(54) **JUG-SHAPED LOUDSPEAKER**

(76) Inventor: **Michael L. Jacobson**, 40032 Thomas Mill Rd., Leesburg, VA (US) 20175

(\*\*) Term: **14 Years**

(21) Appl. No.: **29/160,363**

(22) Filed: **May 10, 2002**

(51) **LOC (7) Cl.** ..... **14-01**

(52) **U.S. Cl.** ..... **D14/207; D7/608**

(58) **Field of Search** ..... D7/608, 312, 321;  
D14/204, 207, 209-216, 356; 181/144-145,  
147-148, 150, 153, 157, 198-199; 381/300-302,  
306, 333, 345, 361-364, 386-388

(56) **References Cited**

**U.S. PATENT DOCUMENTS**

|            |   |         |             |       |         |
|------------|---|---------|-------------|-------|---------|
| D199,592 S | * | 11/1964 | Tolciss     | ..... | D7/321  |
| D217,354 S | * | 4/1970  | Lane        | ..... | D14/212 |
| D242,360 S | * | 11/1976 | Kossen, Jr. | ..... | D14/213 |
| D274,209 S | * | 6/1984  | Kikuchi     | ..... | D7/608  |
| D328,901 S | * | 8/1992  | Haruyama    | ..... | D14/216 |
| D375,746 S | * | 11/1996 | Wu          | ..... | D14/216 |

\* cited by examiner

*Primary Examiner*—Nanda Bondade

(74) *Attorney, Agent, or Firm*—Whitham, Curtis & Christofferson, P.C.

(57) **CLAIM**

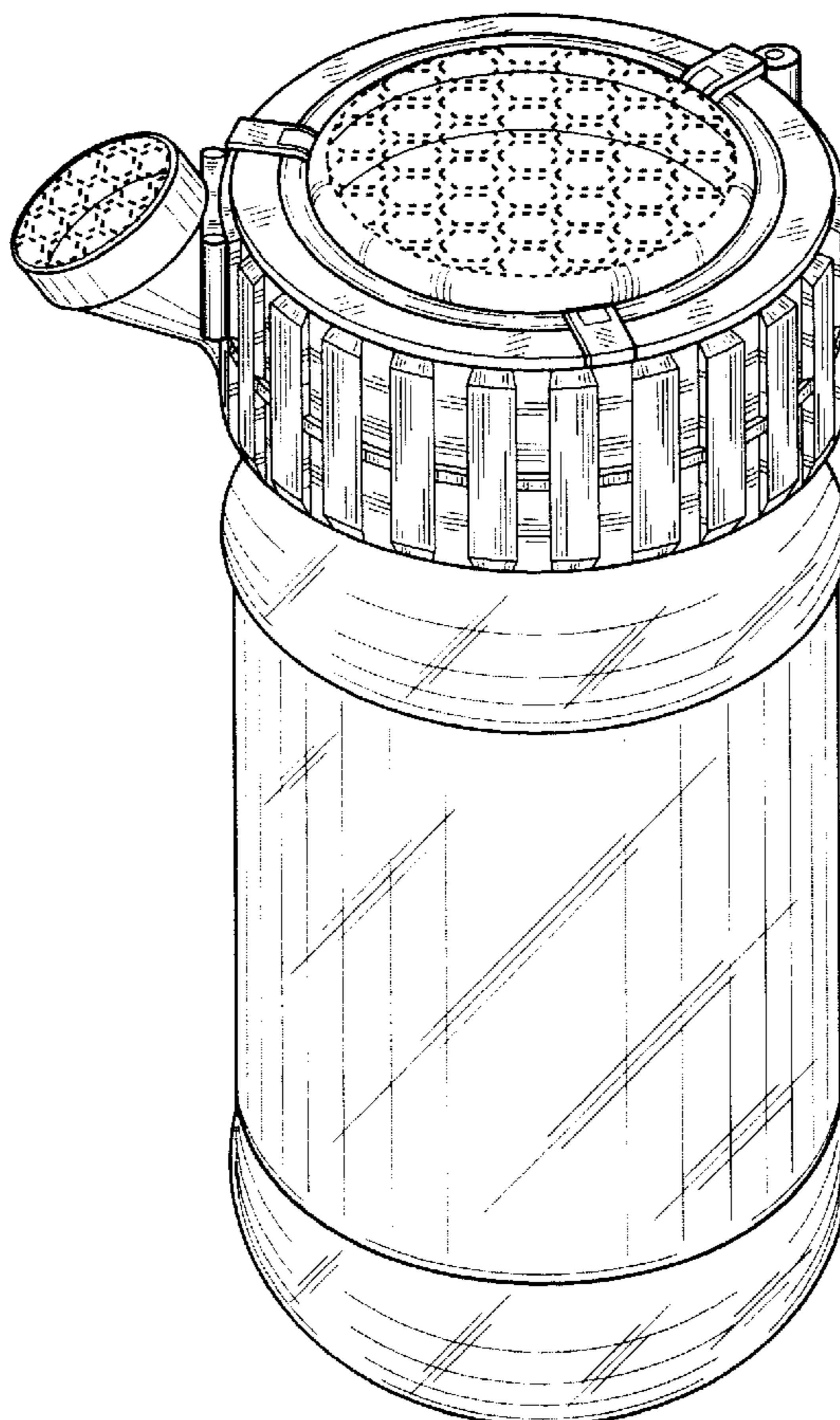
I claim the ornamental design for a jug-shaped loudspeaker, as shown and described.

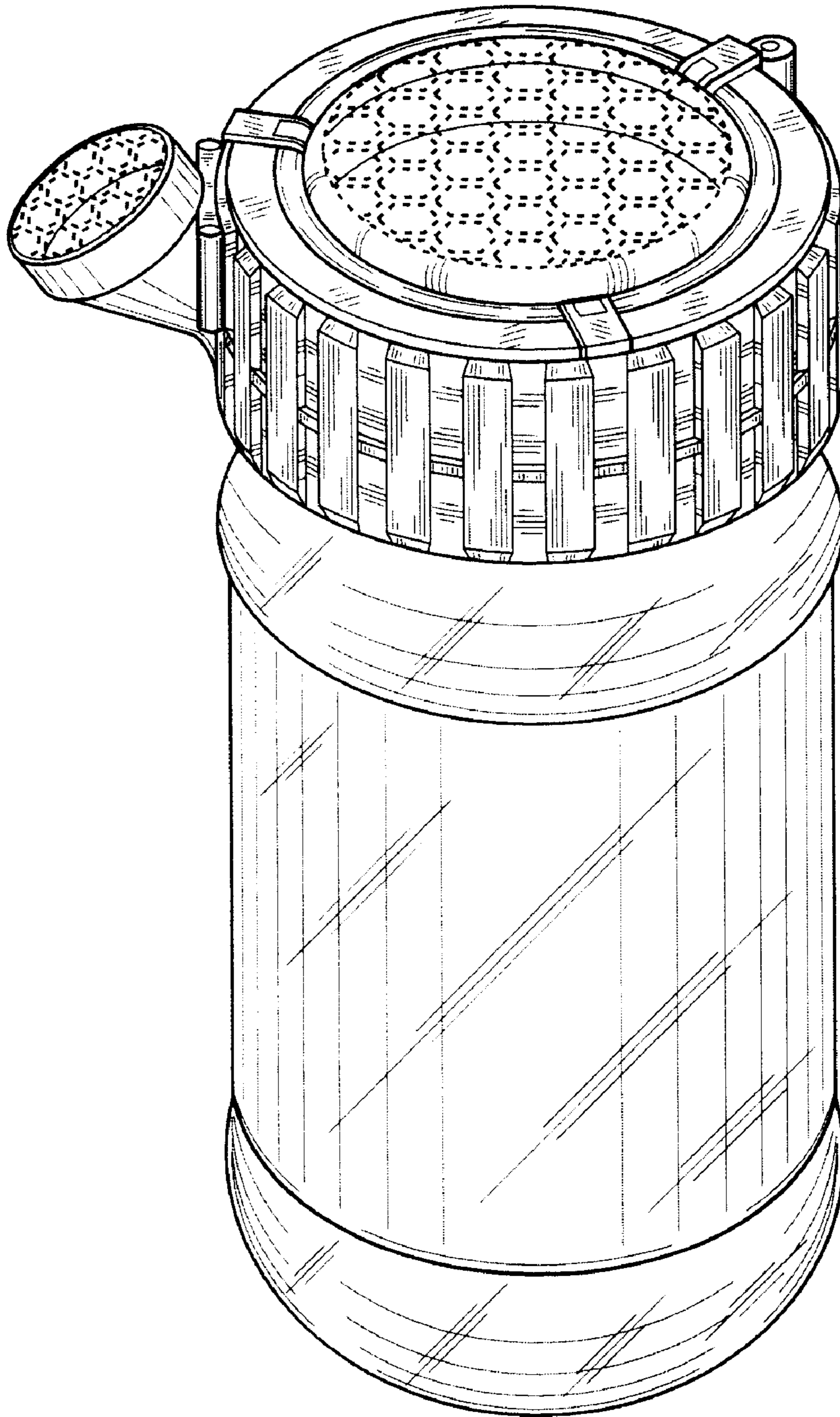
**DESCRIPTION**

FIG. 1 is a perspective view of the loudspeaker showing my new design;  
FIG. 2 is a front view of the loudspeaker;  
FIG. 3 is a left side view of the loudspeaker;  
FIG. 4 is a right side view of the loudspeaker;  
FIG. 5 is a rear view of the loudspeaker;  
FIG. 6 is a top plan view of the loudspeaker;  
FIG. 7 is a bottom plan view of the loudspeaker; and,  
FIG. 8 is an exploded view with tweeter and wire adapter disconnected.

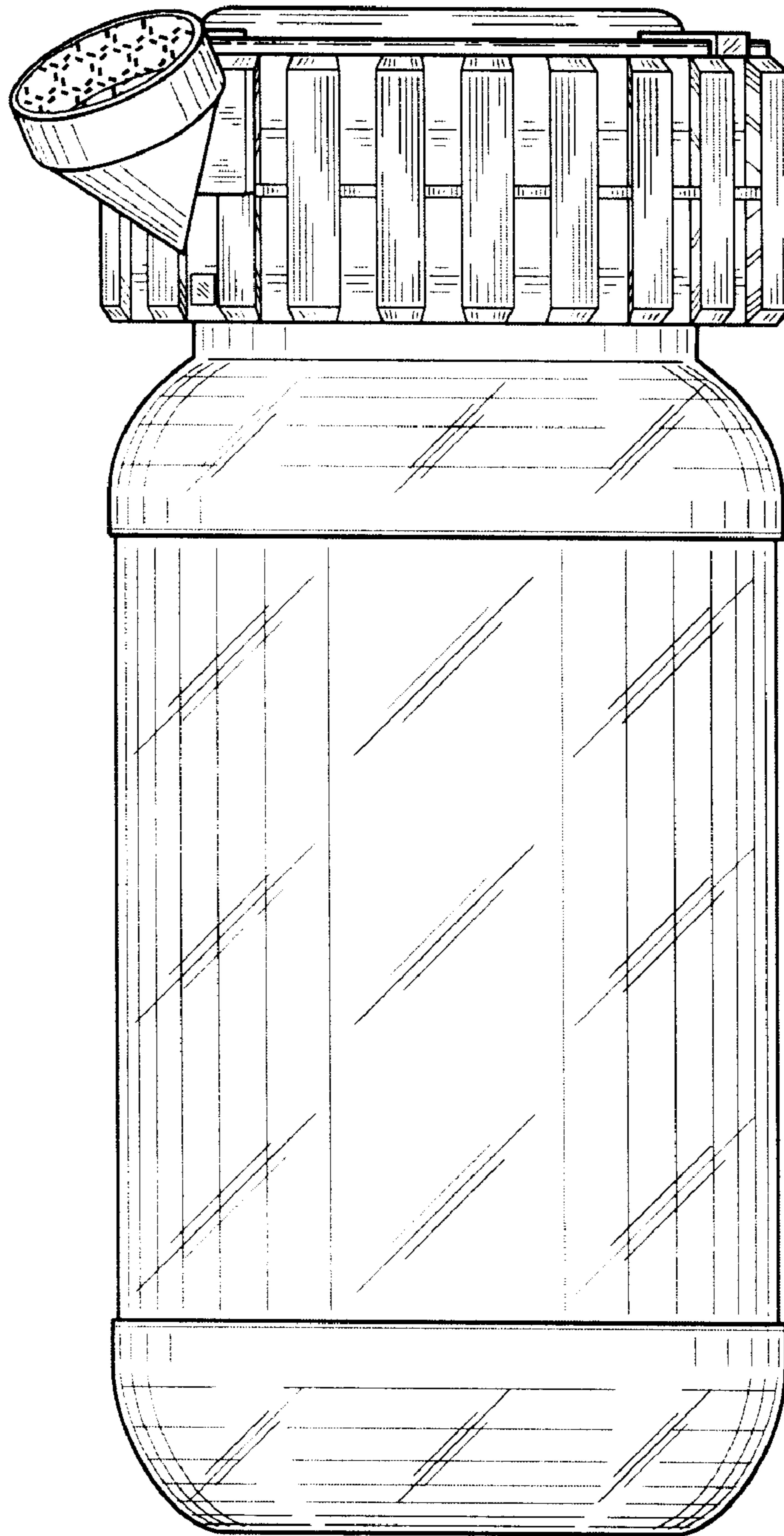
The broken line showing the details of the to mesh configuration of FIGS. 1, 2, 4, 6 and 8 and the details of connection of the top part with the bottom part of the jug in FIG. 8 is for illustrative purposes only and forms no part of the claimed design.

**1 Claim, 7 Drawing Sheets**



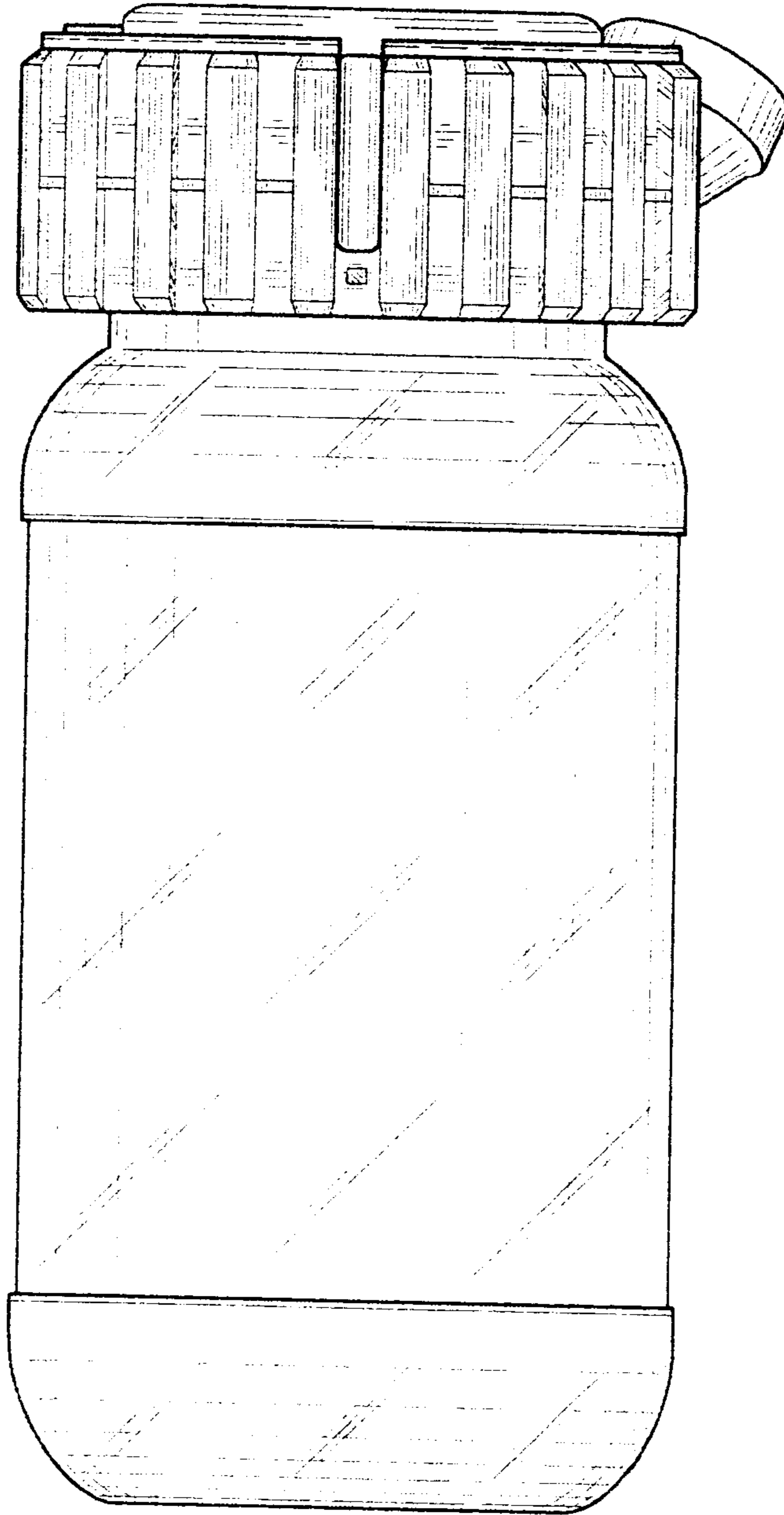


**FIG. 1**

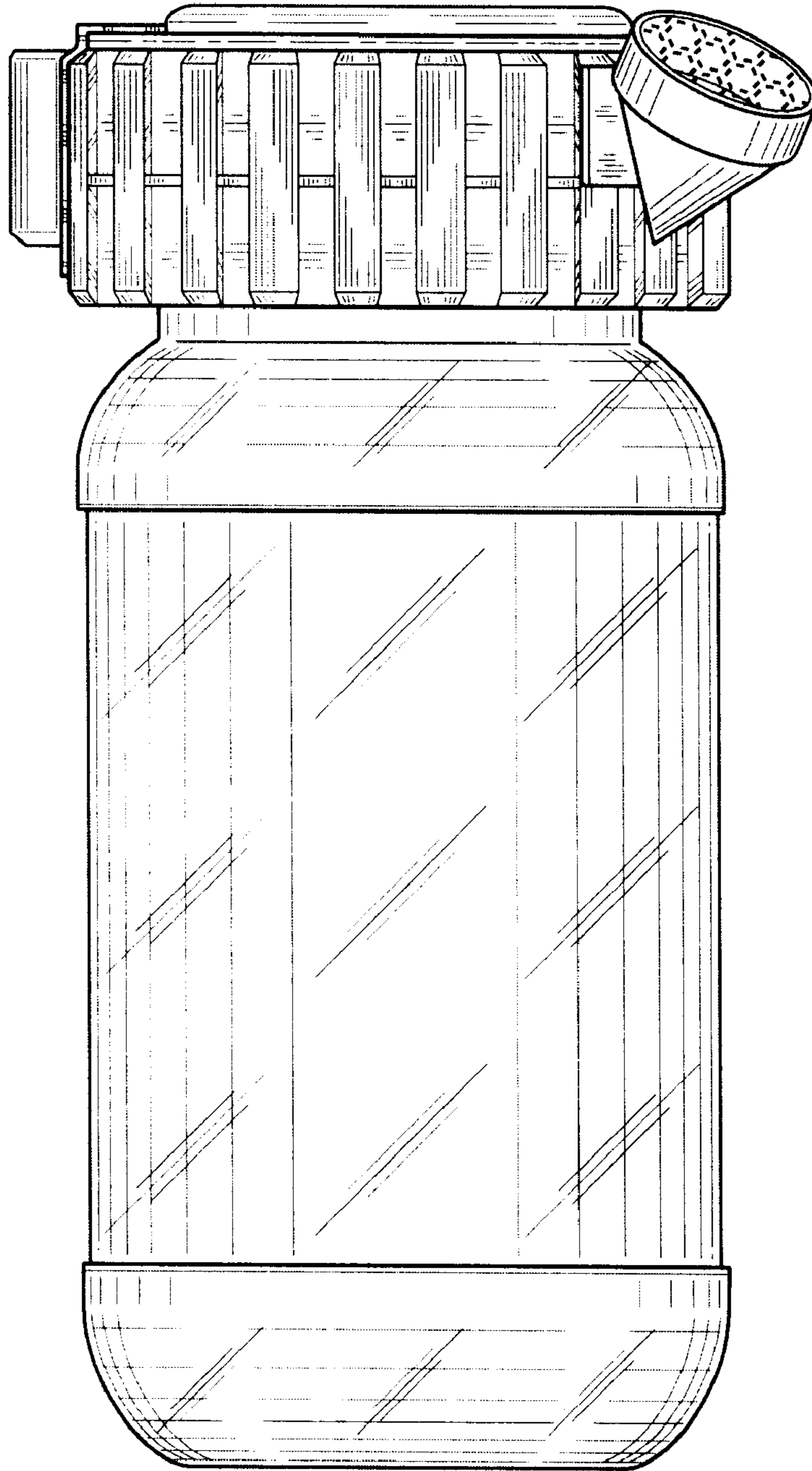


**FIG. 2**

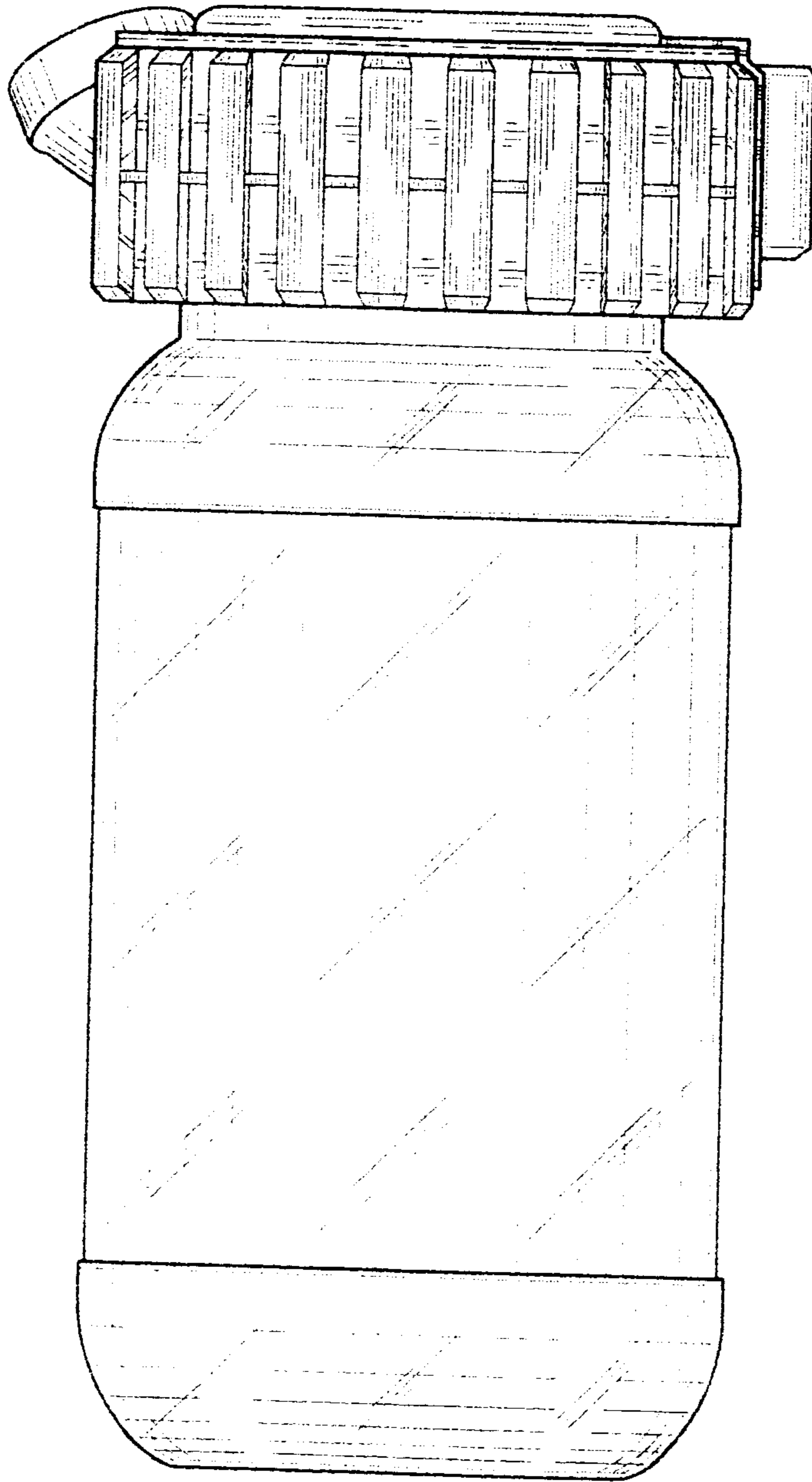




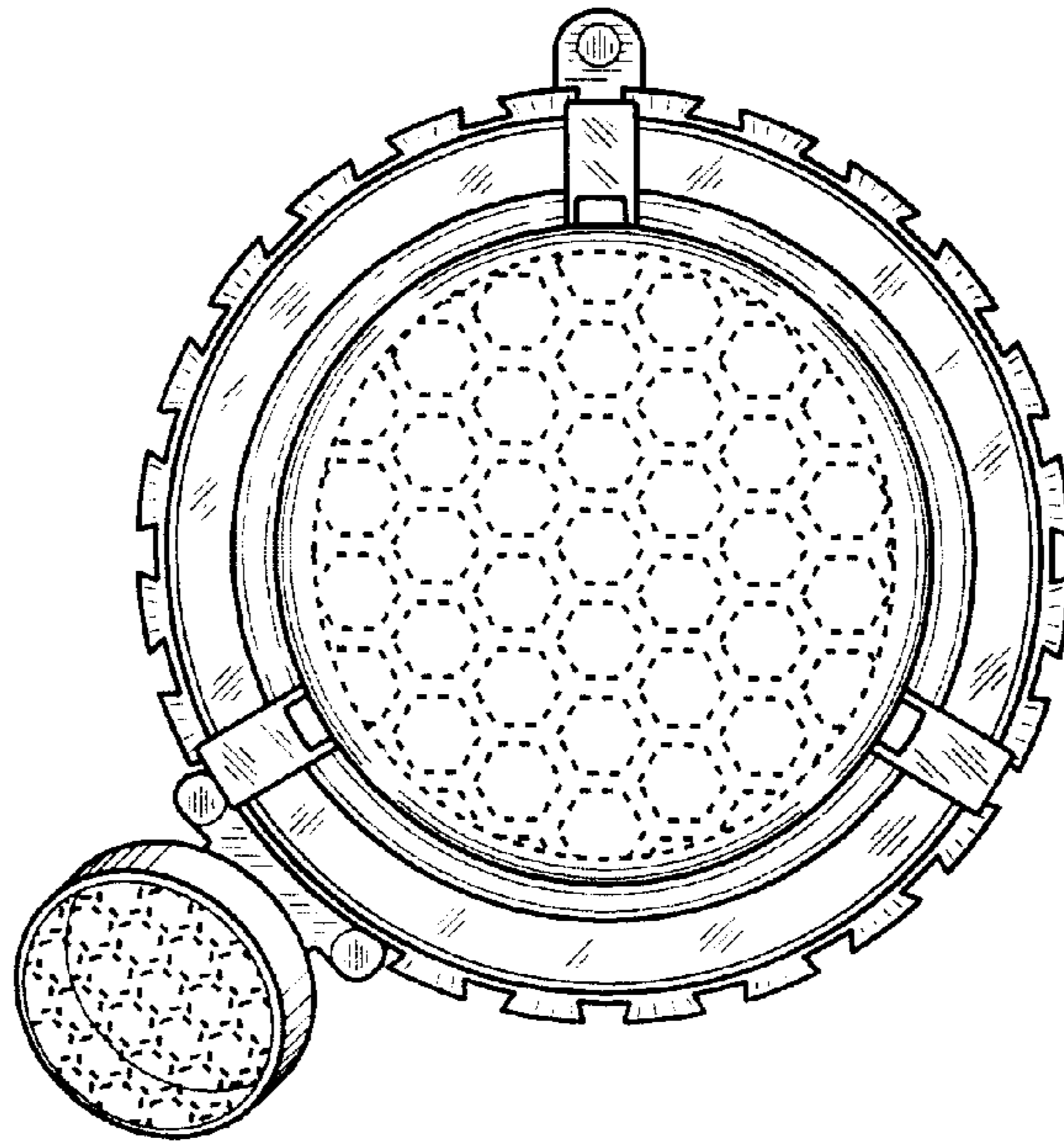
**FIG. 3**



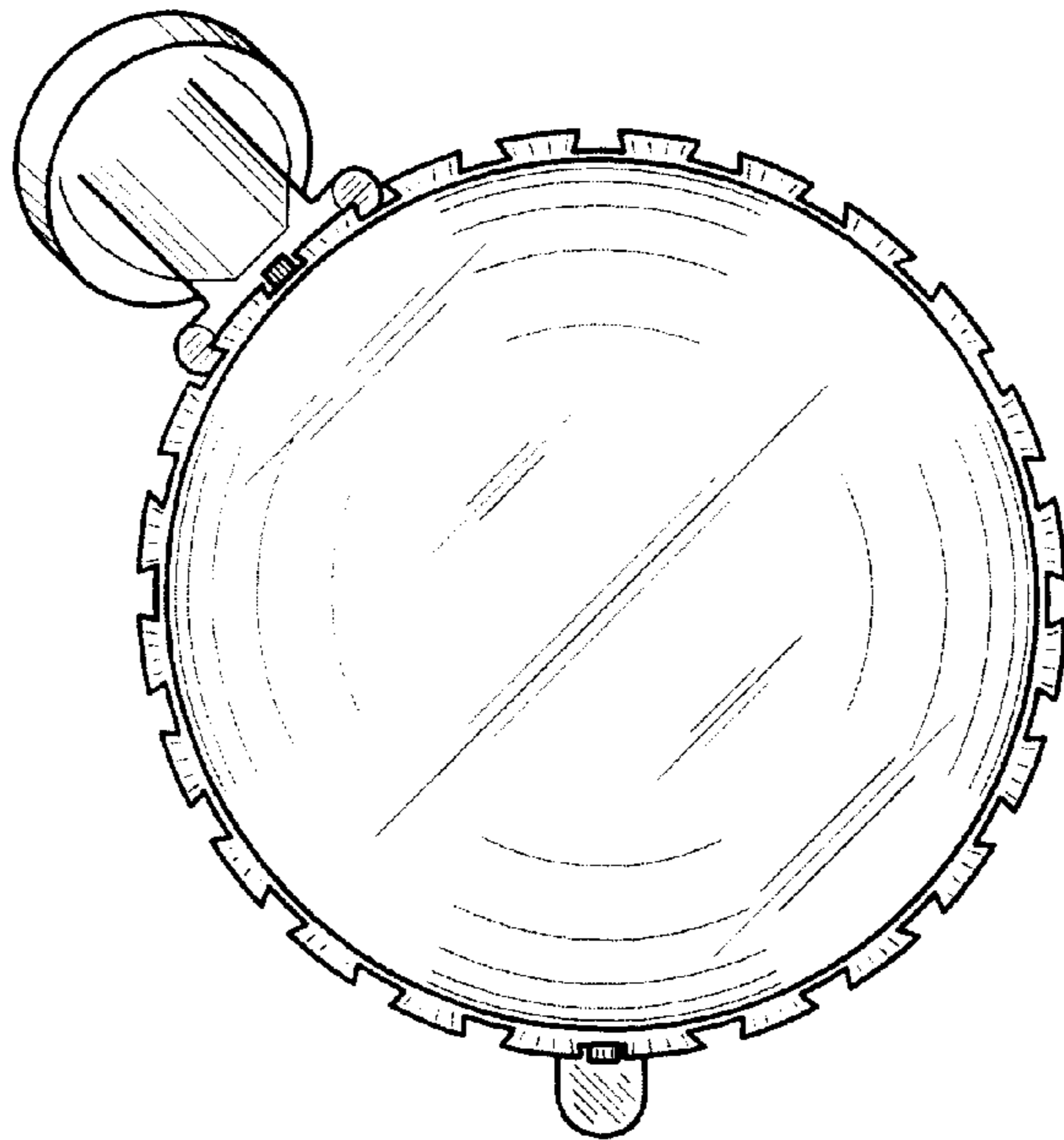
**FIG. 4**



**FIG. 5**

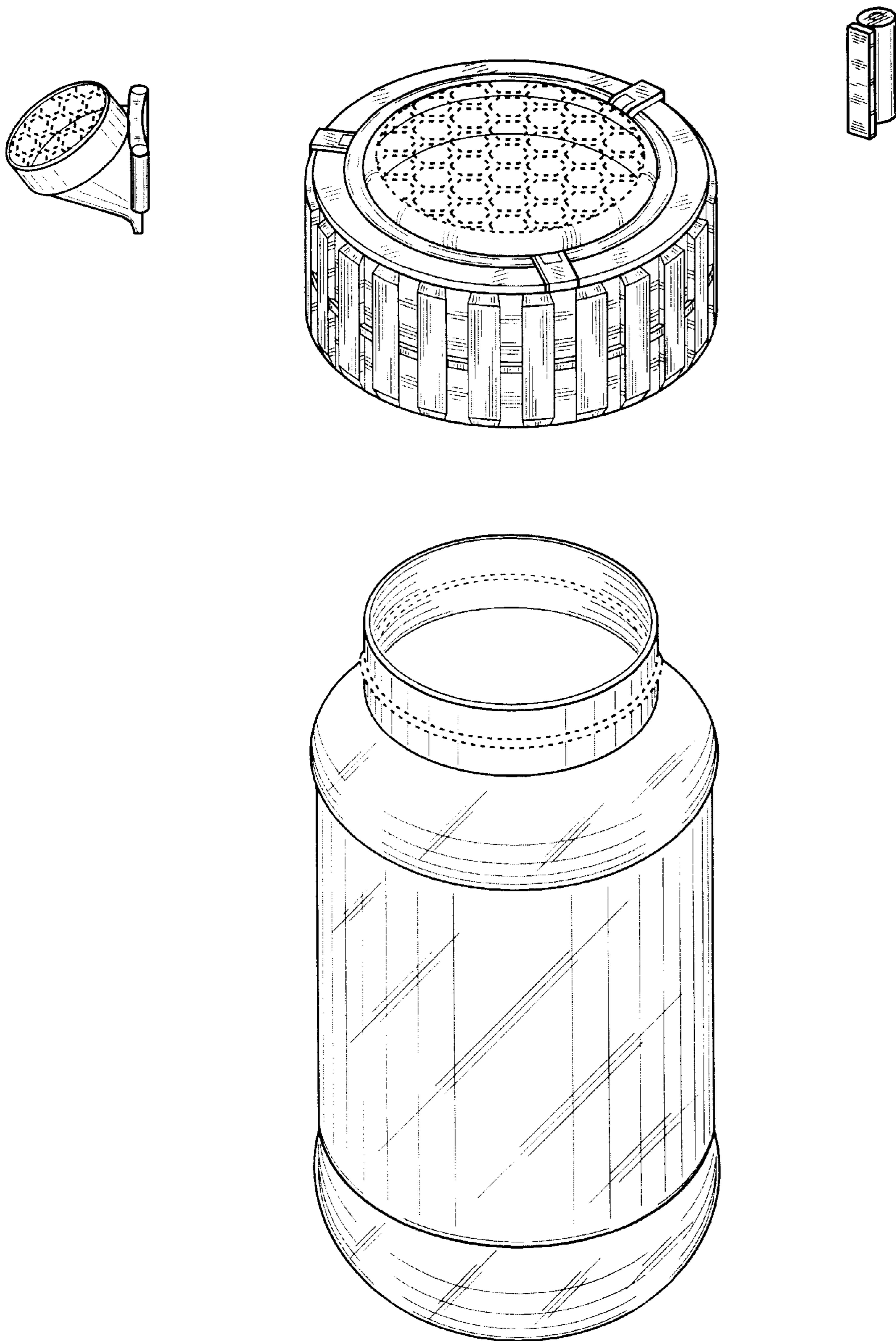


**FIG. 6**



**FIG. 7**





**FIG. 8**