



US00D474170S

(12) **United States Design Patent**  
**Hasegawa et al.**

(10) **Patent No.:** **US D474,170 S**

(45) **Date of Patent:** **\*\* May 6, 2003**

(54) **DIGITAL AUDIO DISC PLAYER WITH RADIO TUNER**

(75) Inventors: **Shigeru Hasegawa, Tokyo (JP); Satoshi Sukeguchi, Tokyo (JP)**

(73) Assignee: **Teac Corporation, Tokyo (JP)**

(\*\*) Term: **14 Years**

(21) Appl. No.: **29/164,298**

(22) Filed: **Jul. 23, 2002**

(30) **Foreign Application Priority Data**

Feb. 28, 2002 (JP) ..... 2002-005179

(51) **LOC (7) Cl.** ..... **14-01**

(52) **U.S. Cl.** ..... **D14/168**

(58) **Field of Search** ..... D14/135-136, D14/156-157, 160-165, 167-168, 188, 193-198; 369/75.1, 75.2, 77.1, 77.2; 381/86, 120; 455/344, 346-351

(56) **References Cited**

**U.S. PATENT DOCUMENTS**

D159,435 S \* 7/1950 Painter ..... D14/196

2,523,103 A \* 9/1950 Emde et al. .... 455/350  
D391,961 S \* 3/1998 Hanig ..... D14/194  
D419,558 S \* 1/2000 Bhavnani ..... D14/194  
D459,336 S \* 6/2002 Ito et al. .... D14/168

\* cited by examiner

*Primary Examiner*—Nanda Bondade

(74) *Attorney, Agent, or Firm*—Kanesaka & Takeuchi

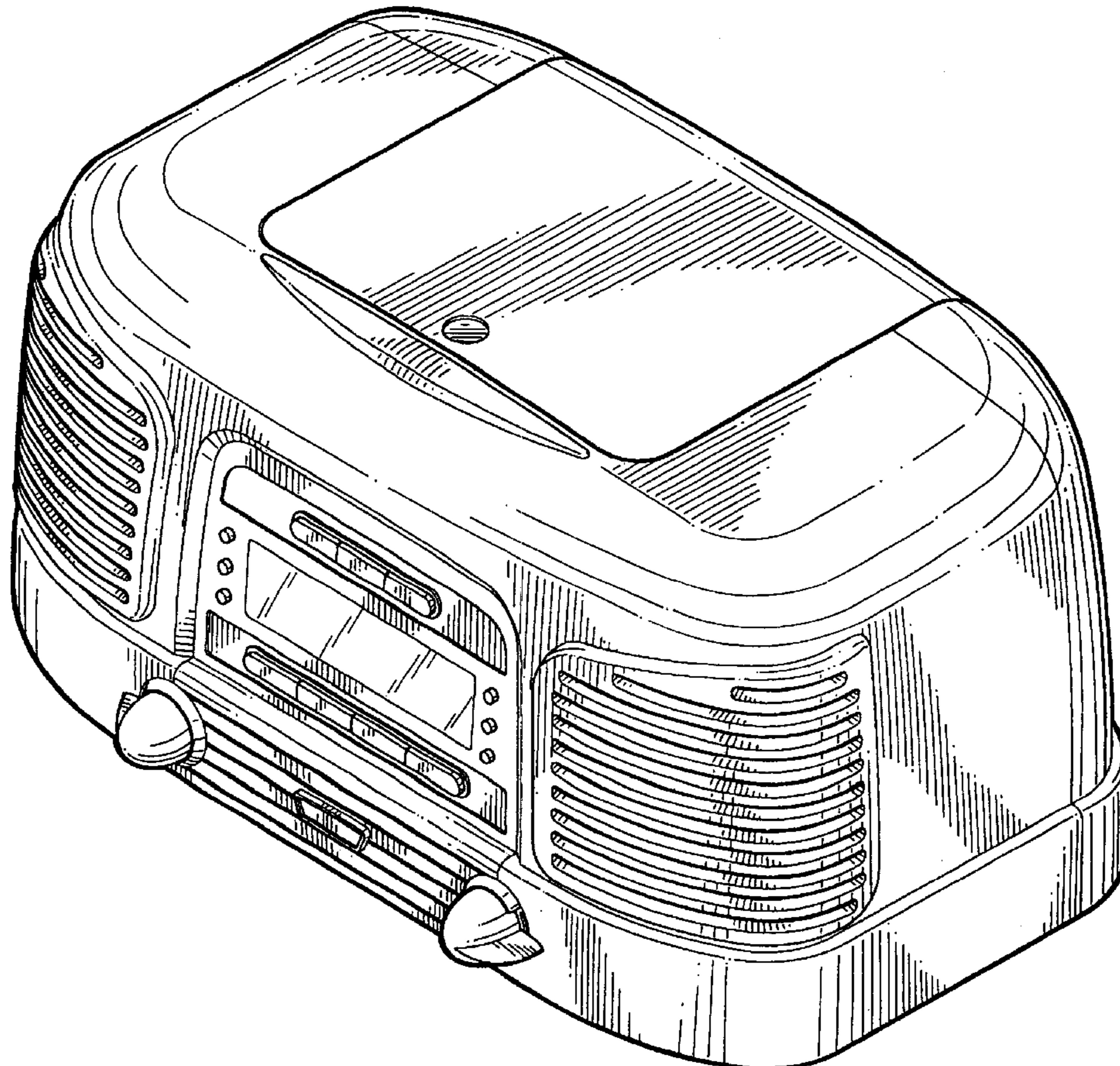
(57) **CLAIM**

The ornamental design for a digital audio disc player with radio tuner, as shown and described.

**DESCRIPTION**

FIG. 1 is a front view of a digital audio disc player with radio tuner showing our new design;  
FIG. 2 is a top plan view thereof;  
FIG. 3 is a bottom plan view thereof;  
FIG. 4 is a left side view thereof;  
FIG. 5 is a right side view thereof;  
FIG. 6 is a rear view thereof;  
FIG. 7 is a perspective view thereof; and,  
FIG. 8 is a perspective view thereof in a state that a cover for a digital audio disc player is opened.

**1 Claim, 8 Drawing Sheets**



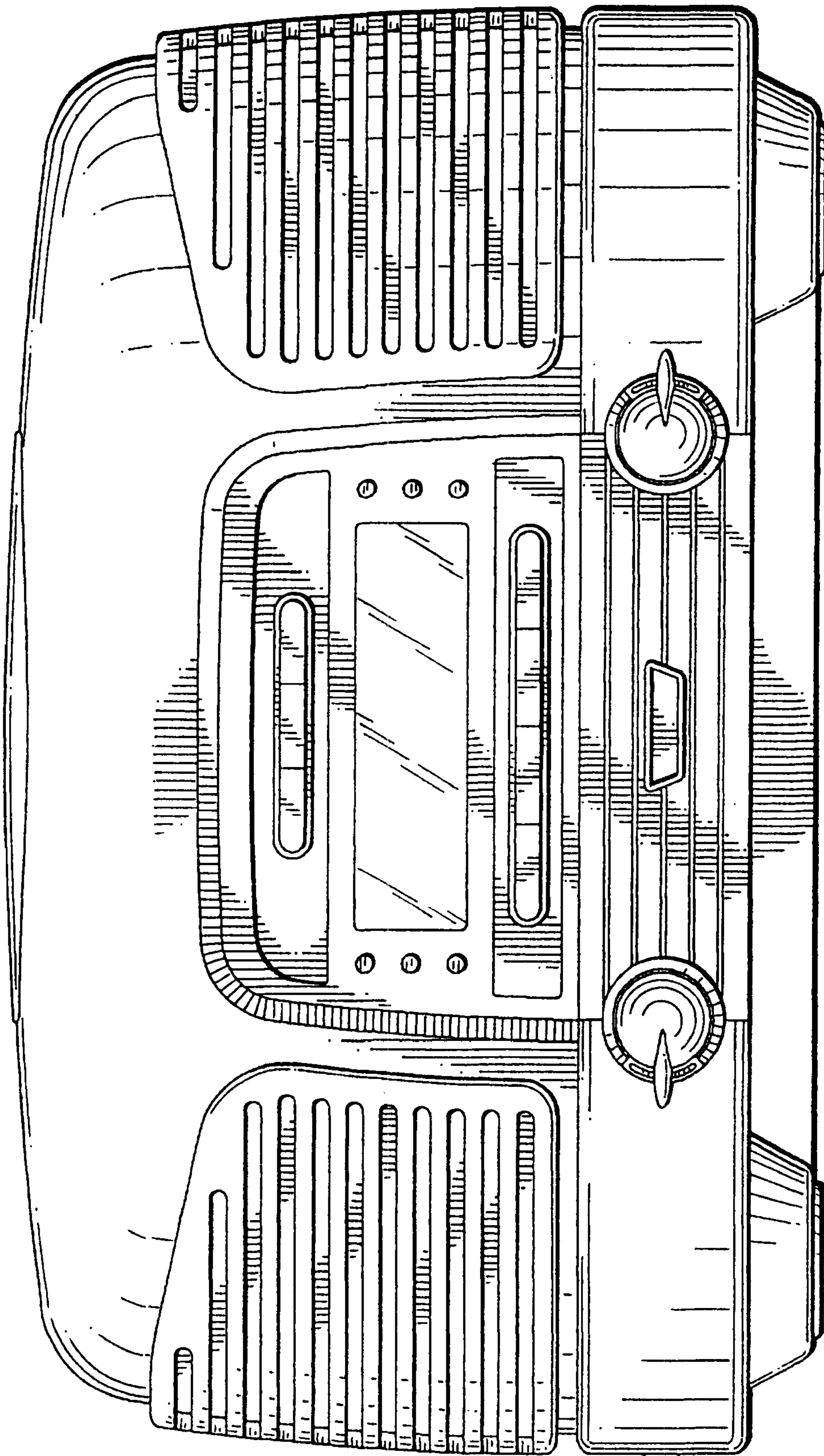


FIG. 1

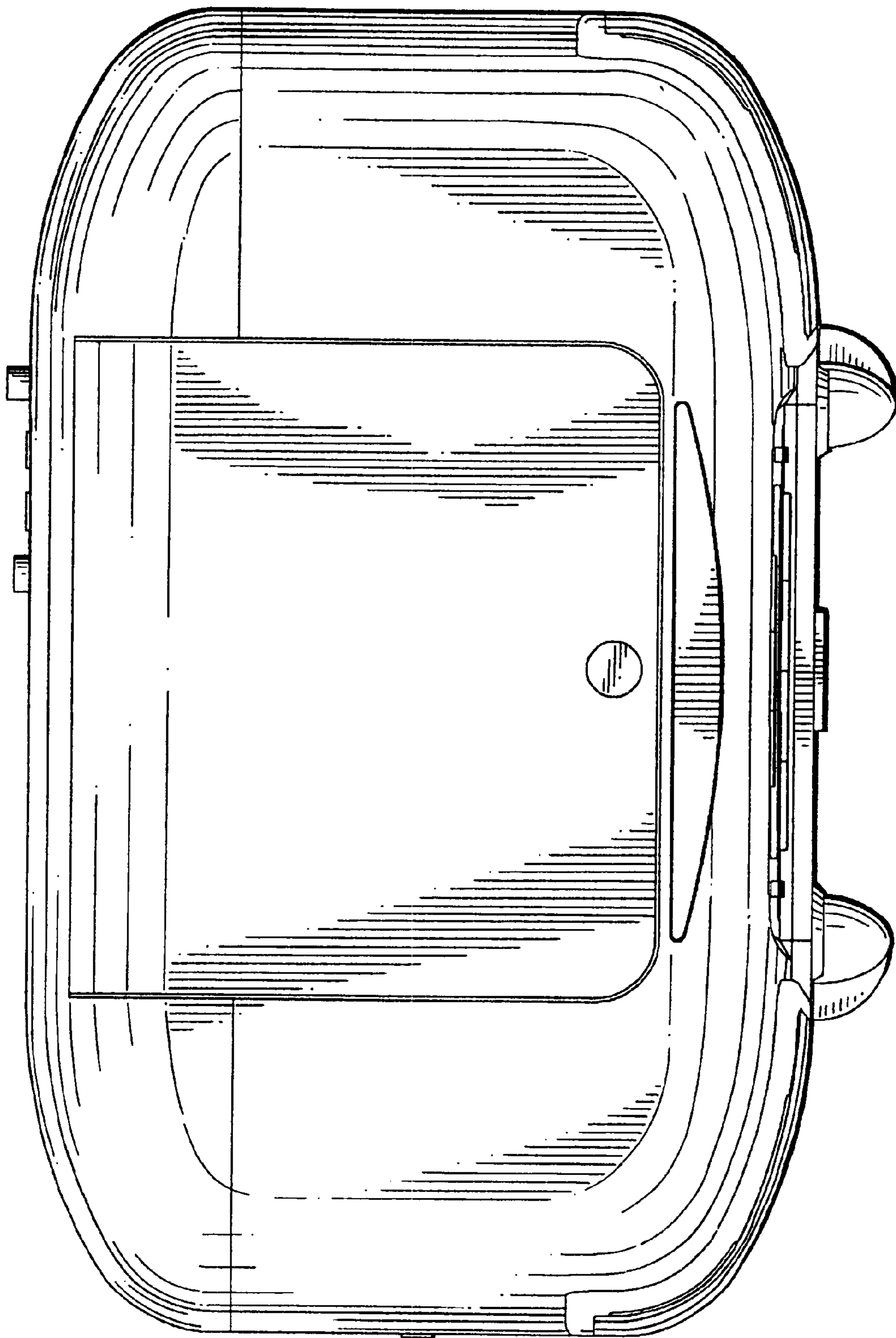


FIG. 2

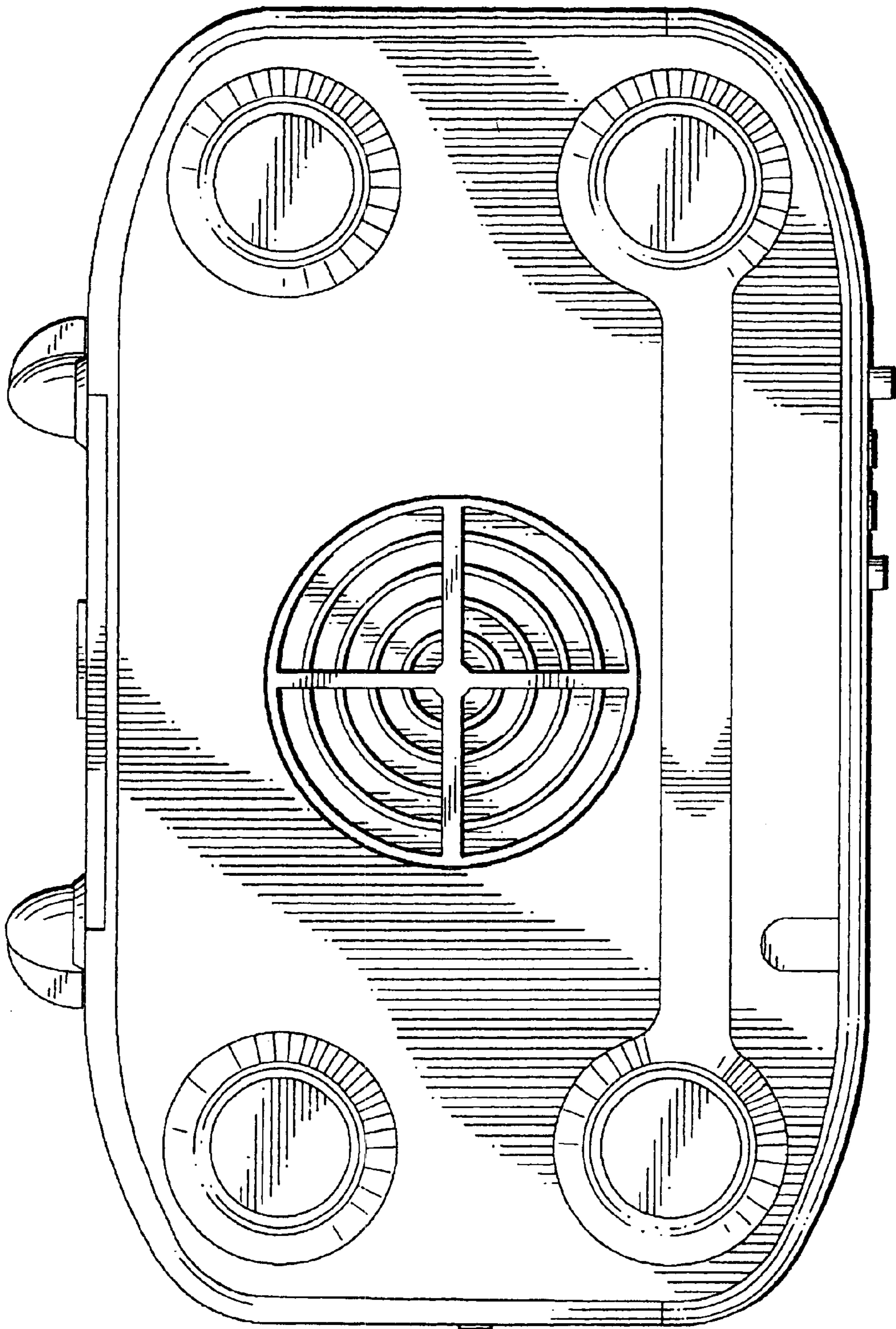


FIG. 3

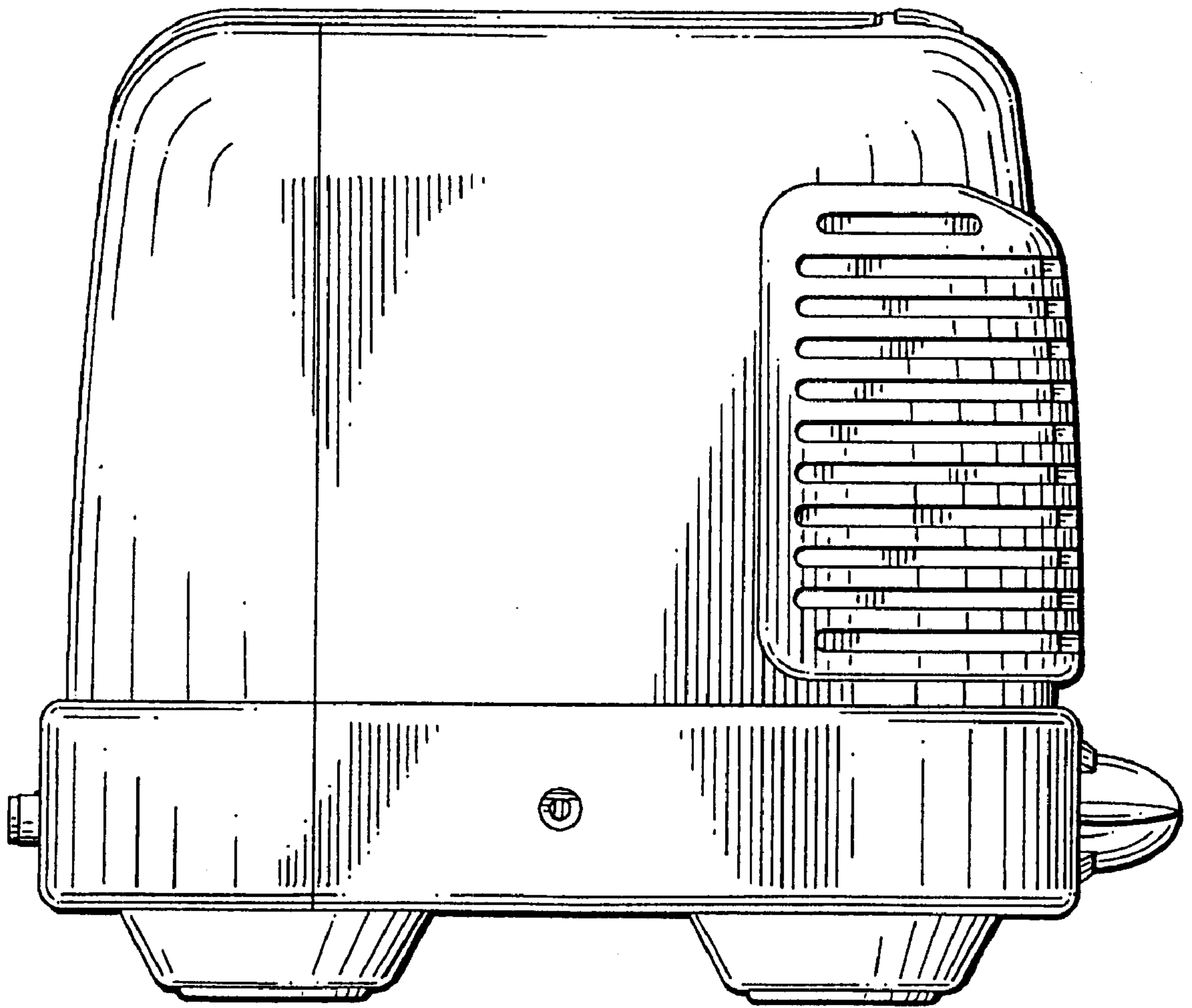


FIG. 4

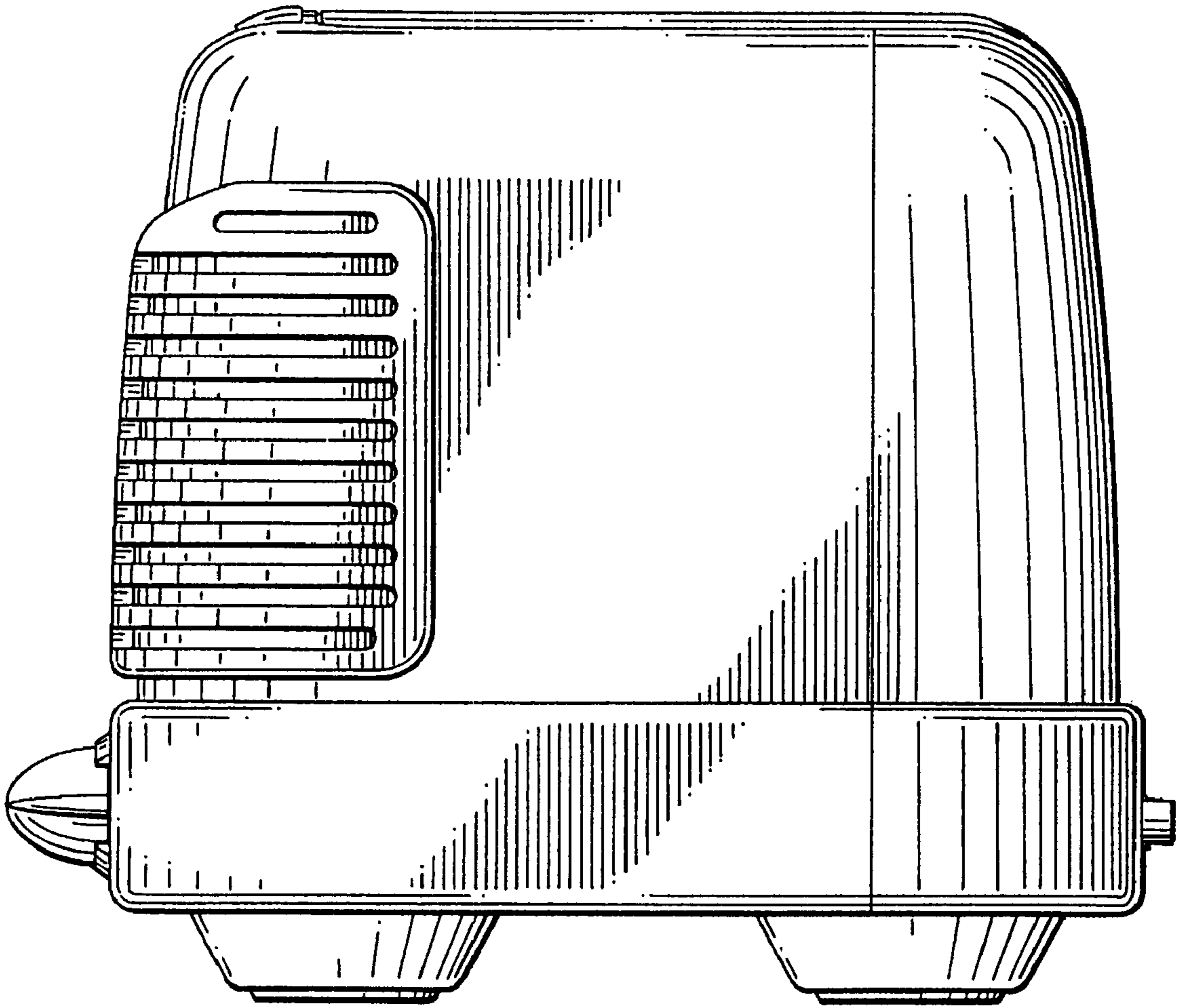


FIG. 5

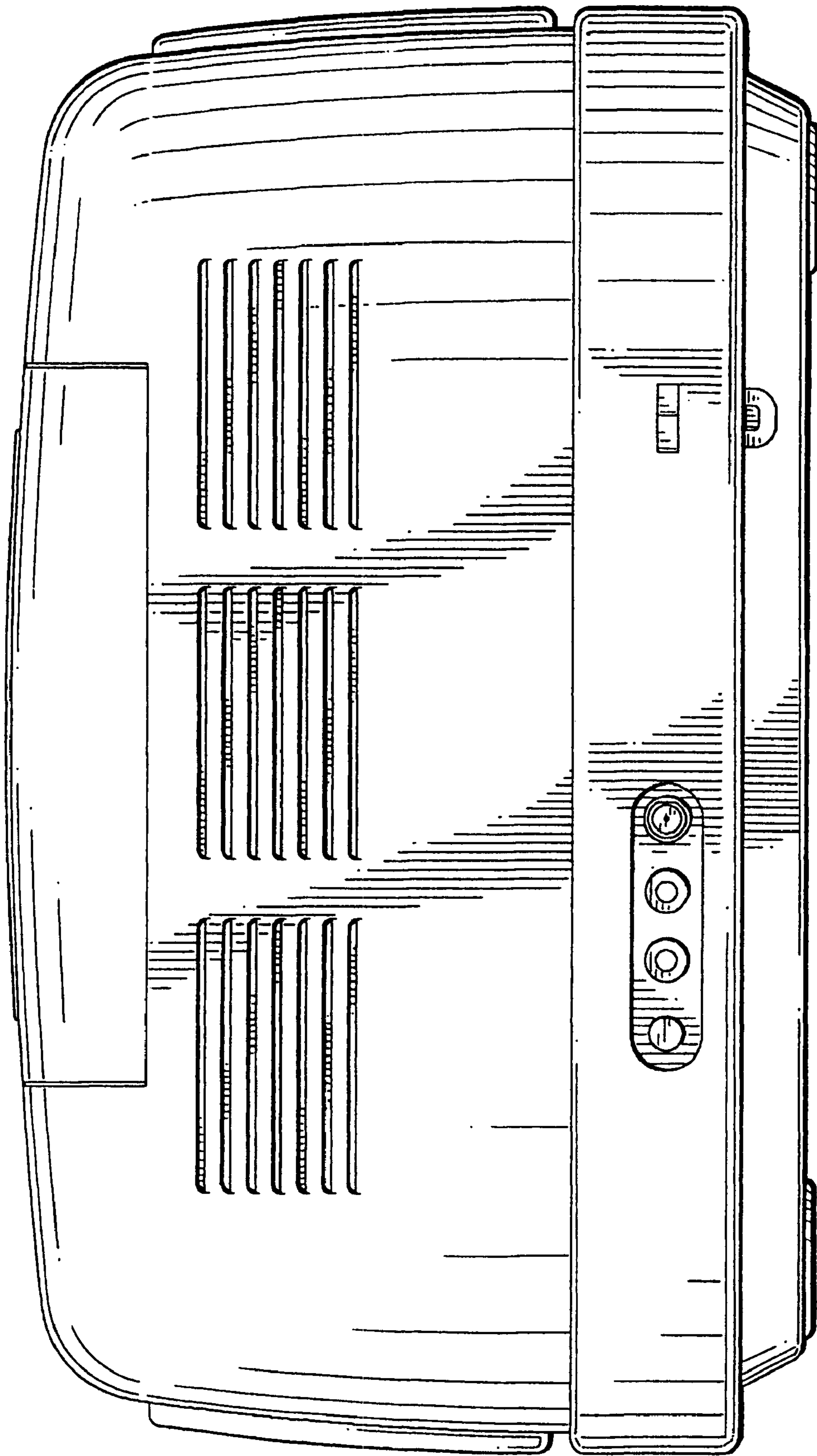


FIG. 6

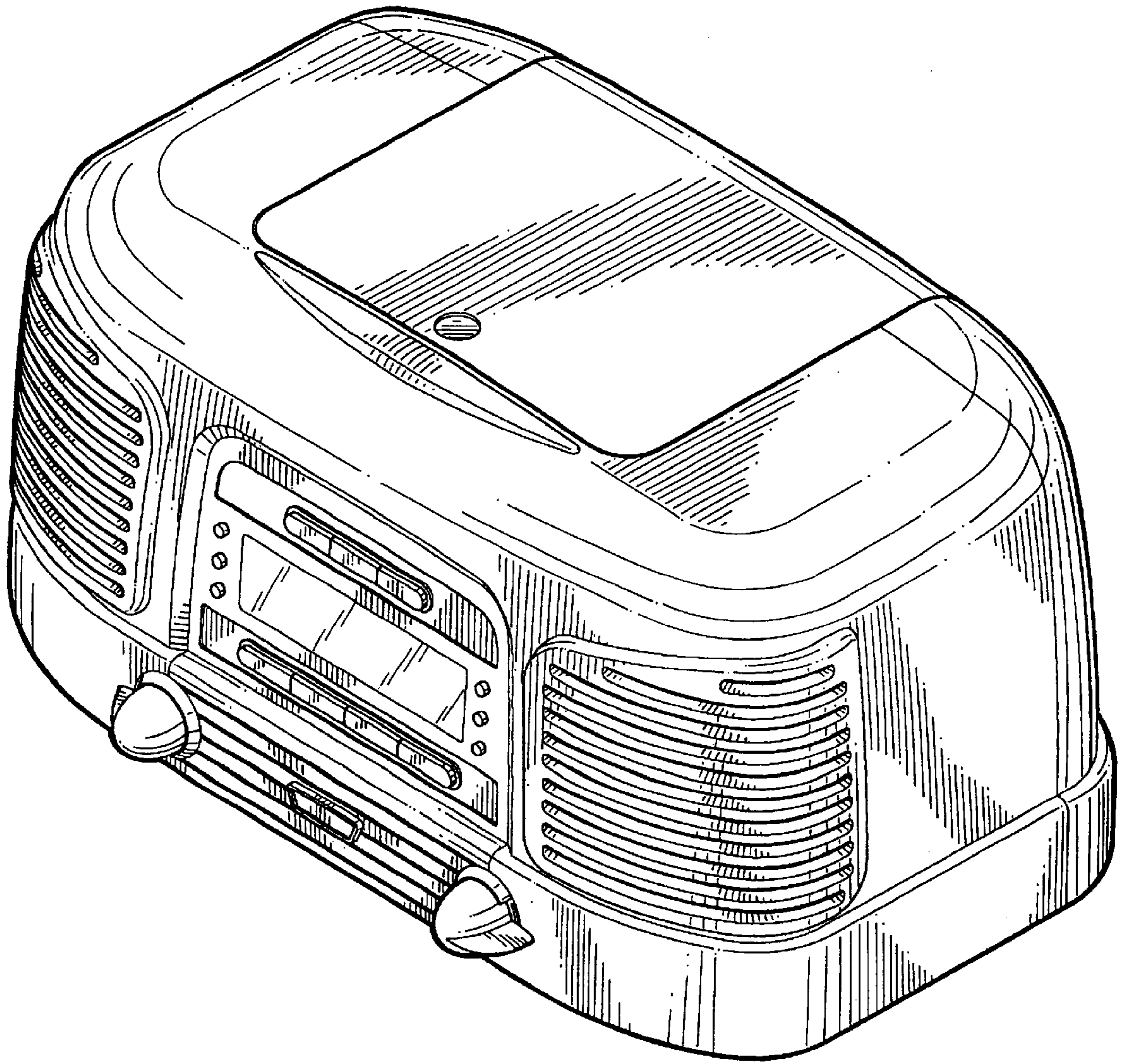


FIG. 7



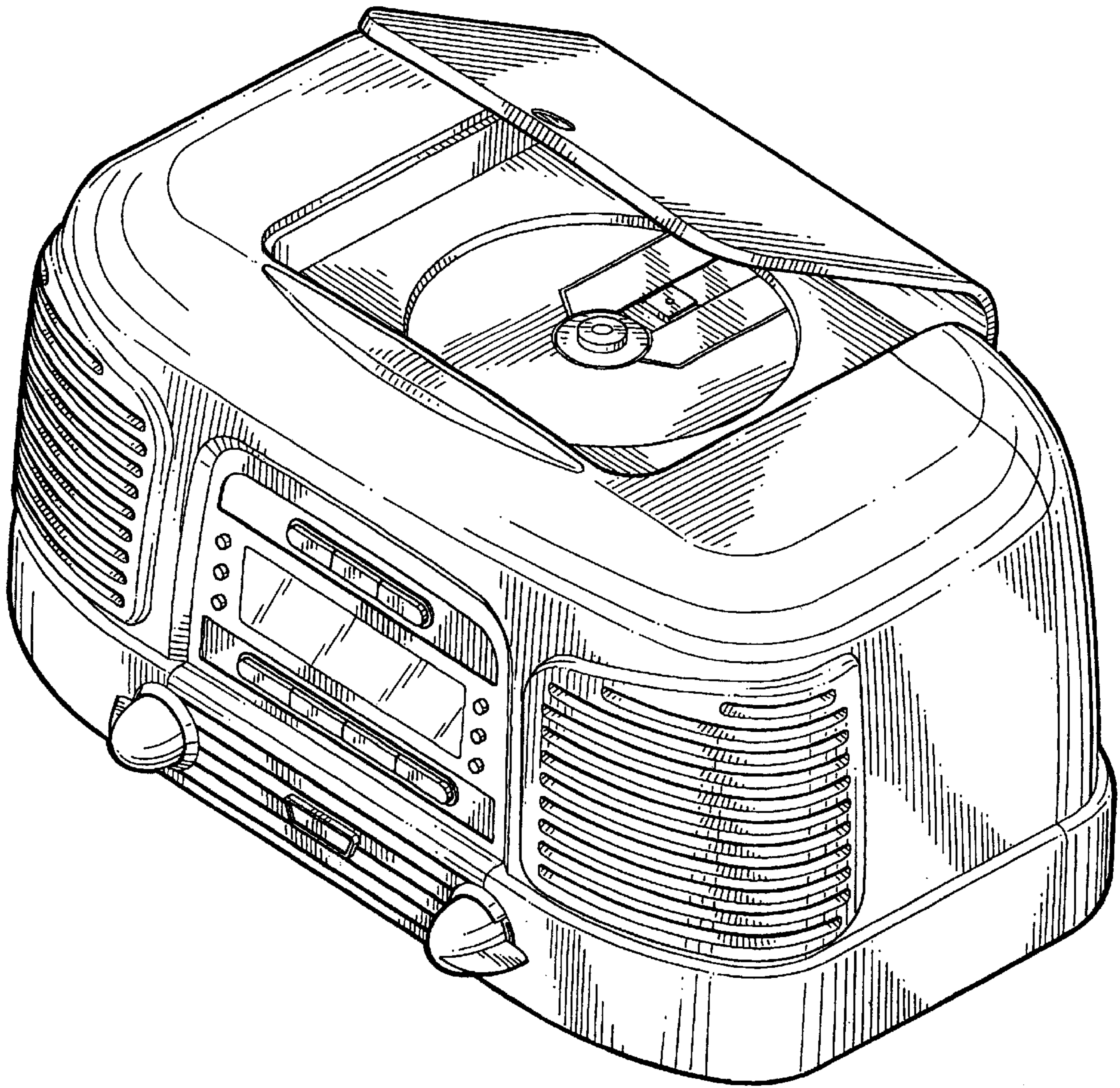


FIG. 8