



US00D474169S

(12) **United States Design Patent**
Fletcher

(10) **Patent No.:** **US D474,169 S**

(45) **Date of Patent:** **** May 6, 2003**

(54) **AUDIO CONFERENCING DEVICE**

(75) **Inventor:** **Jodie Fletcher, Ottawa (CA)**

(73) **Assignee:** **Mitel Knowledge Corporation, Kanata (CA)**

(**) **Term:** **14 Years**

(21) **Appl. No.:** **29/154,726**

(22) **Filed:** **Jan. 28, 2002**

(30) **Foreign Application Priority Data**

Dec. 5, 2001 (CA) 2001-2932

(51) **LOC (7) Cl.** **14-03**

(52) **U.S. Cl.** **D14/159; D14/243**

(58) **Field of Search** D14/140-142,
D14/147-151, 167-168, 188, 194-195,
216, 225-229, 240-241, 243, 251-253;
379/419, 420.01-420.04, 428.01-428.04,
440, 446, 454

(56) **References Cited**

U.S. PATENT DOCUMENTS

D258,068 S * 1/1981 Ostrom D17/5
D300,322 S * 3/1989 Lam D14/189
D307,274 S * 4/1990 Sasaki et al. D14/243

D346,598 S * 5/1994 McCay et al. D14/137
D430,546 S * 9/2000 Gibson D14/137
D444,777 S * 7/2001 Bird et al. D14/150

* cited by examiner

Primary Examiner—Nanda Bondade

(74) *Attorney, Agent, or Firm*—Keating & Bennett, LLP

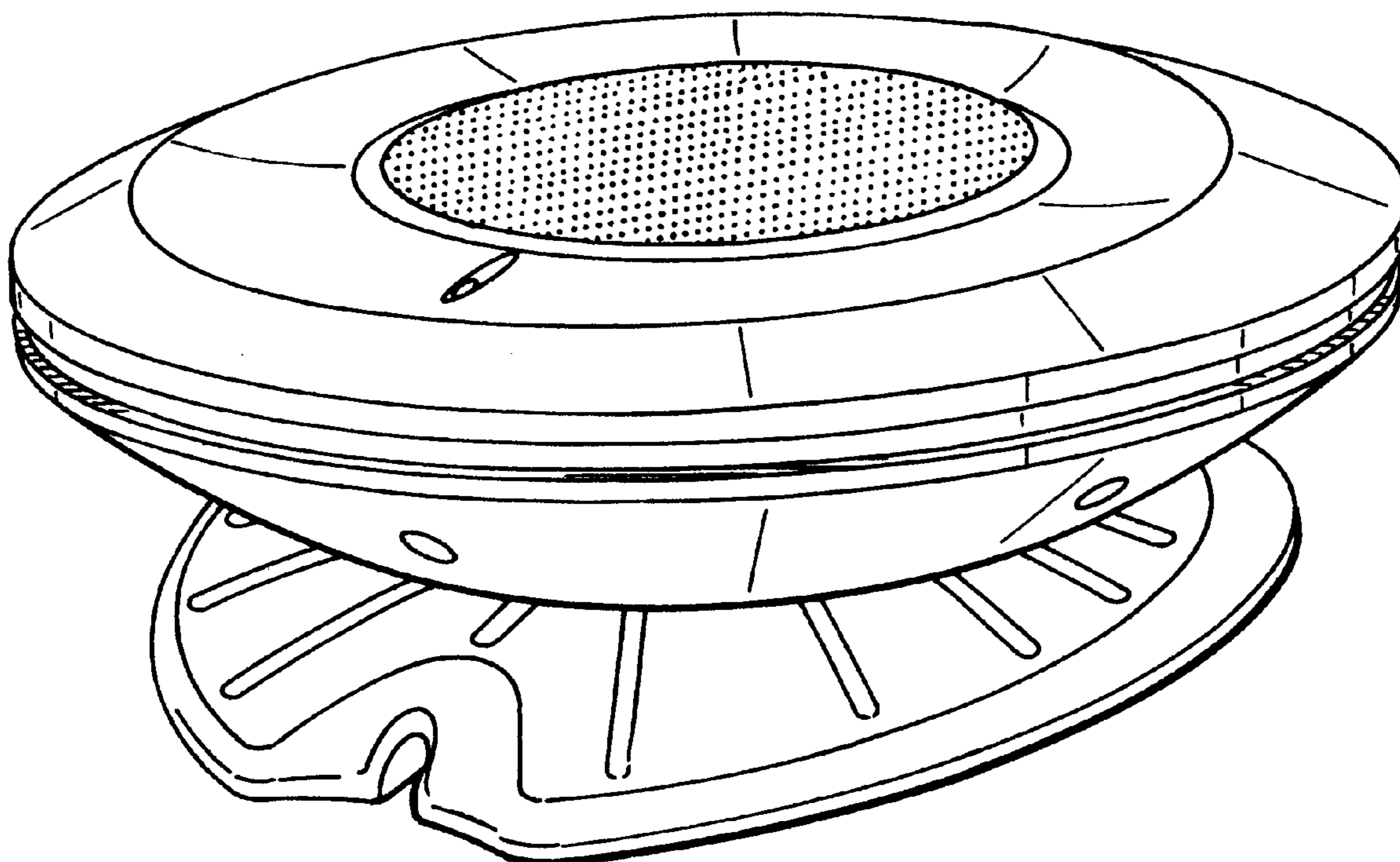
(57) **CLAIM**

The ornamental design for an audio conferencing device, as shown.

DESCRIPTION

FIG. 1 is a perspective view of the audio conferencing device in accordance with the present design;
FIG. 2 is a top plan view of the audio conferencing device shown in FIG. 1;
FIG. 3 is a bottom plan view of the audio conferencing device shown in FIG. 1;
FIG. 4 is a front elevation view of the audio conferencing device shown in FIG. 1;
FIG. 5 is a right-side elevation view of the audio conferencing device shown in FIG. 1;
FIG. 6 is a left-side elevation view of the audio conferencing device shown in FIG. 1; and,
FIG. 7 is a rear elevation view of the audio conferencing device shown in FIG. 1.

1 Claim, 3 Drawing Sheets



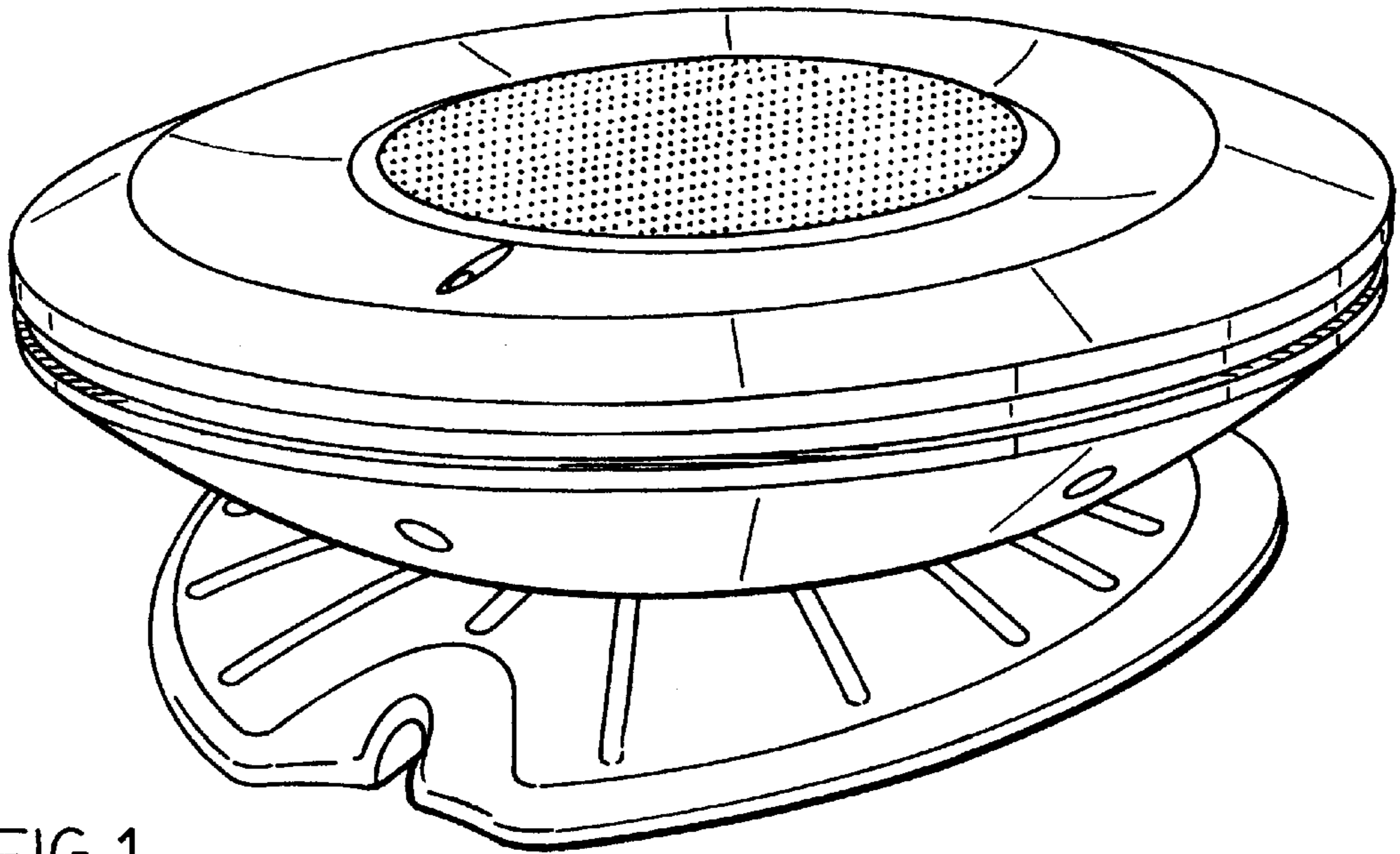


FIG. 1.

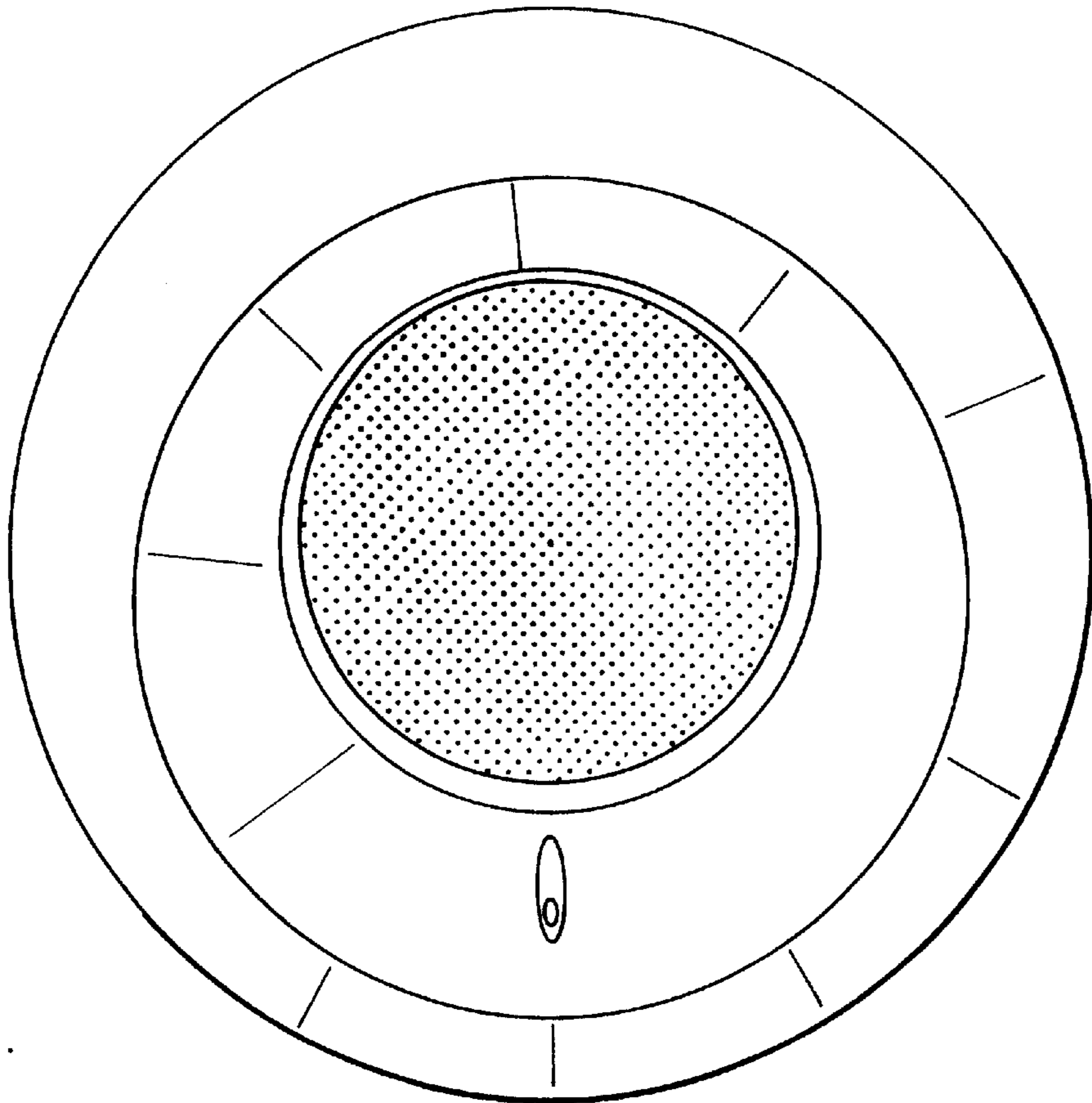


FIG. 2.

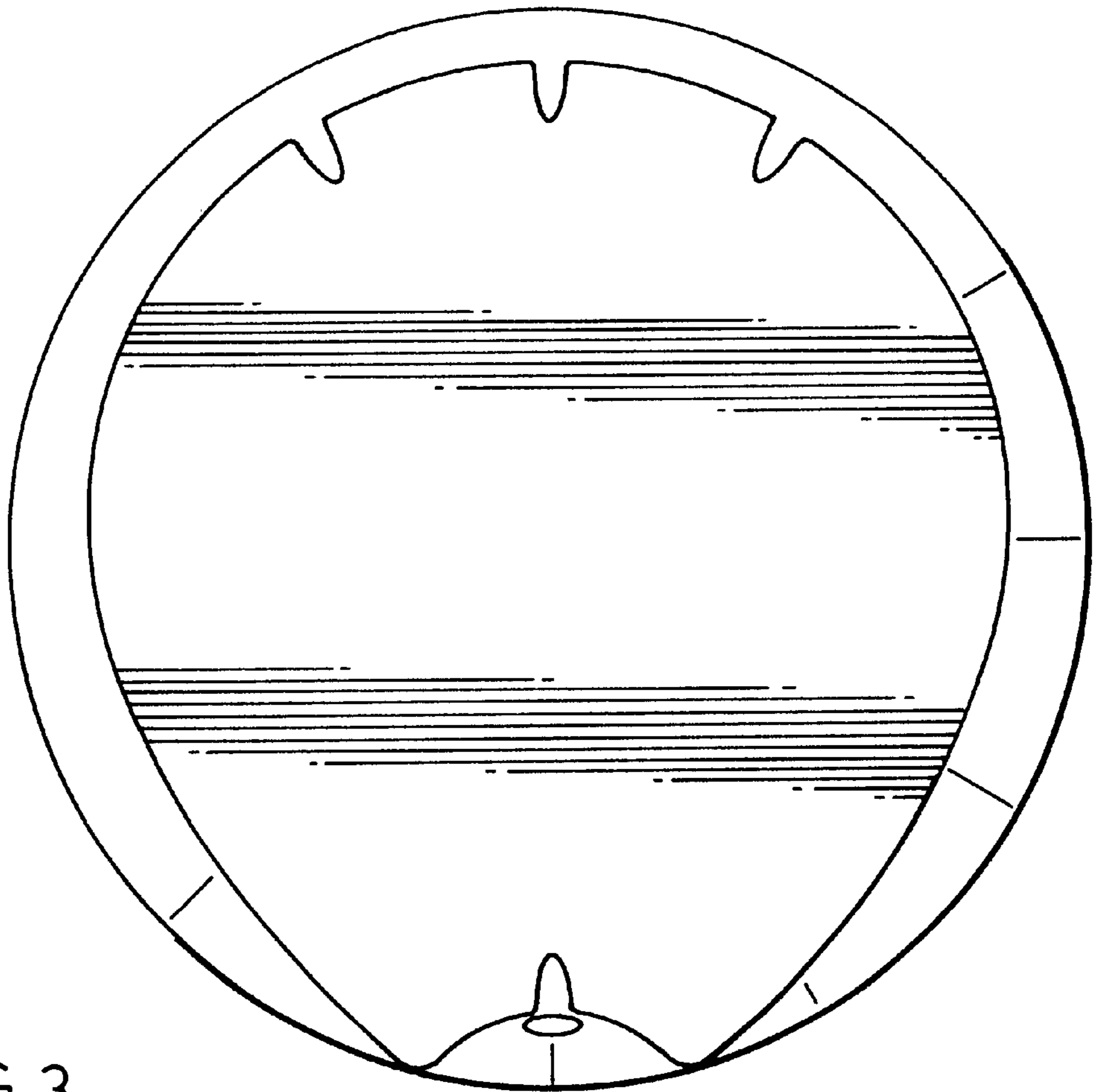


FIG. 3.

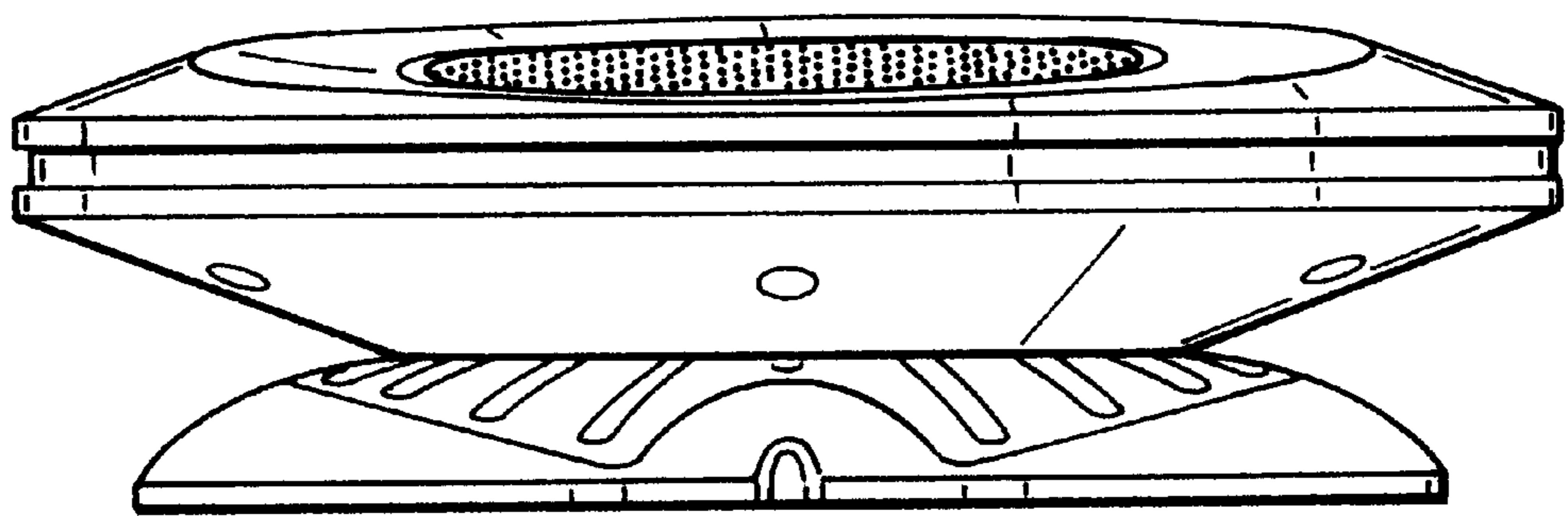


FIG. 4.

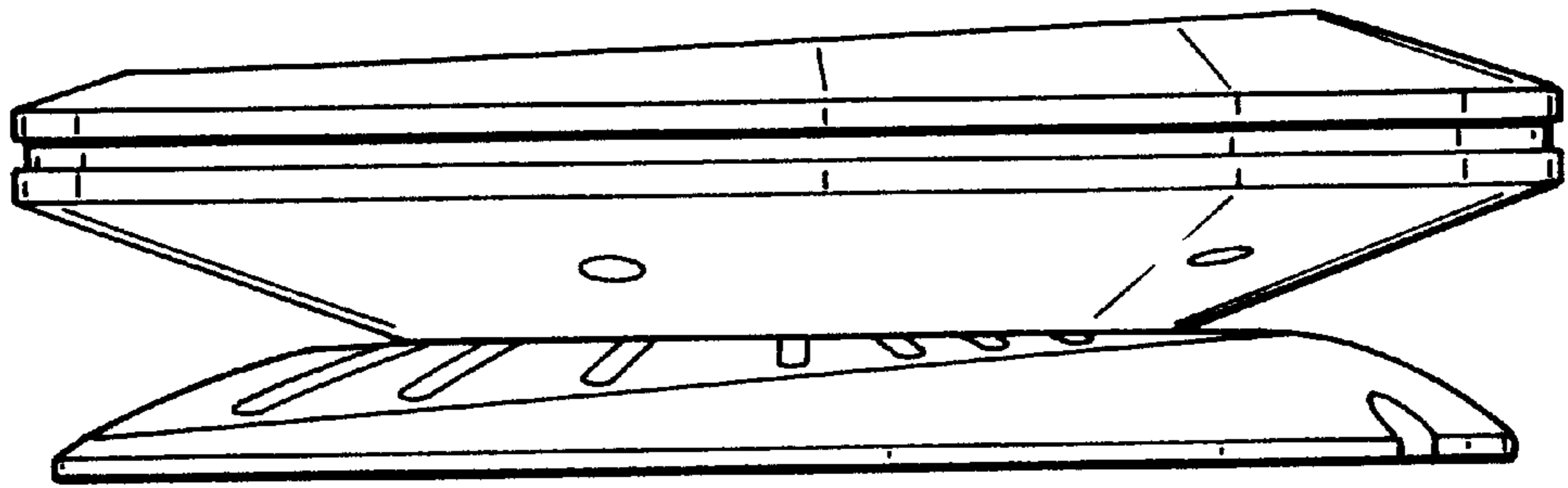


FIG. 5

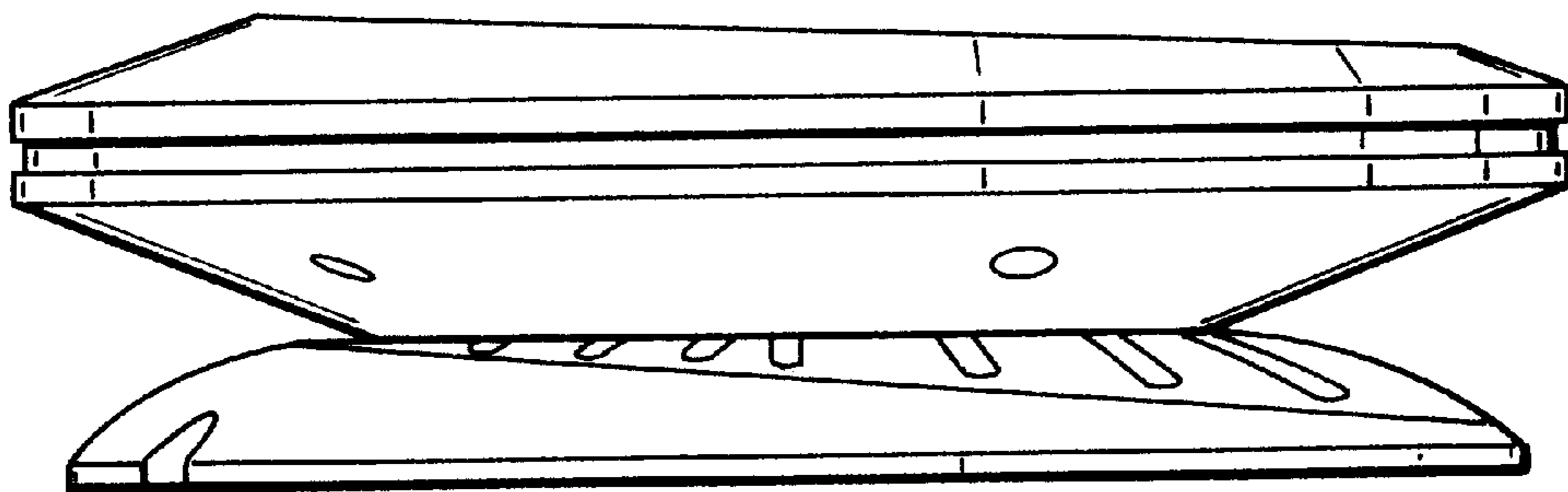


FIG. 6.

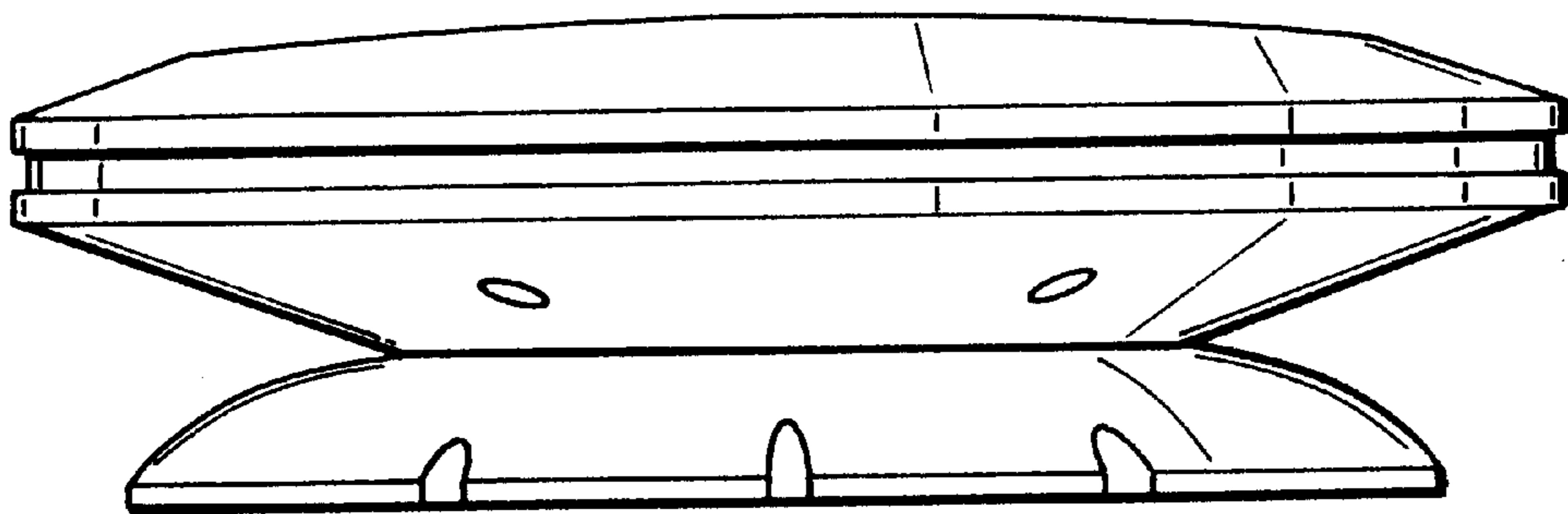


FIG. 7.