



US00D474160S

(12) **United States Design Patent**
Yu

(10) **Patent No.:** **US D474,160 S**

(45) **Date of Patent:** **** May 6, 2003**

(54) **SWITCH**

(76) **Inventor:** **Tsung-Mou Yu**, No. 4, Alley 2, Lane 23, Sec. 3, Pa Te Road, Panchiao Taipei (TW)

(**) **Term:** **14 Years**

(21) **Appl. No.:** **29/161,945**

(22) **Filed:** **Jun. 5, 2002**

(51) **LOC (7) Cl.** **13-03**

(52) **U.S. Cl.** **D13/169**

(58) **Field of Search** D13/156, 169, D13/171, 174; 200/5 R, 5 A, 6 R, 553, 295, 296, 315, 339; 337/66, 74

(56) **References Cited**

U.S. PATENT DOCUMENTS

- D308,963 S * 7/1990 Osika D13/169
- 5,660,270 A * 8/1997 Martin et al. 200/315
- 5,909,020 A * 6/1999 Gallone 200/438

- 6,103,981 A * 8/2000 Kremer 200/296
- D440,946 S * 4/2001 Yu D13/169
- D456,785 S * 5/2002 Yu D13/169

* cited by examiner

Primary Examiner—Mitchell Siegel
Assistant Examiner—Selina Sikder

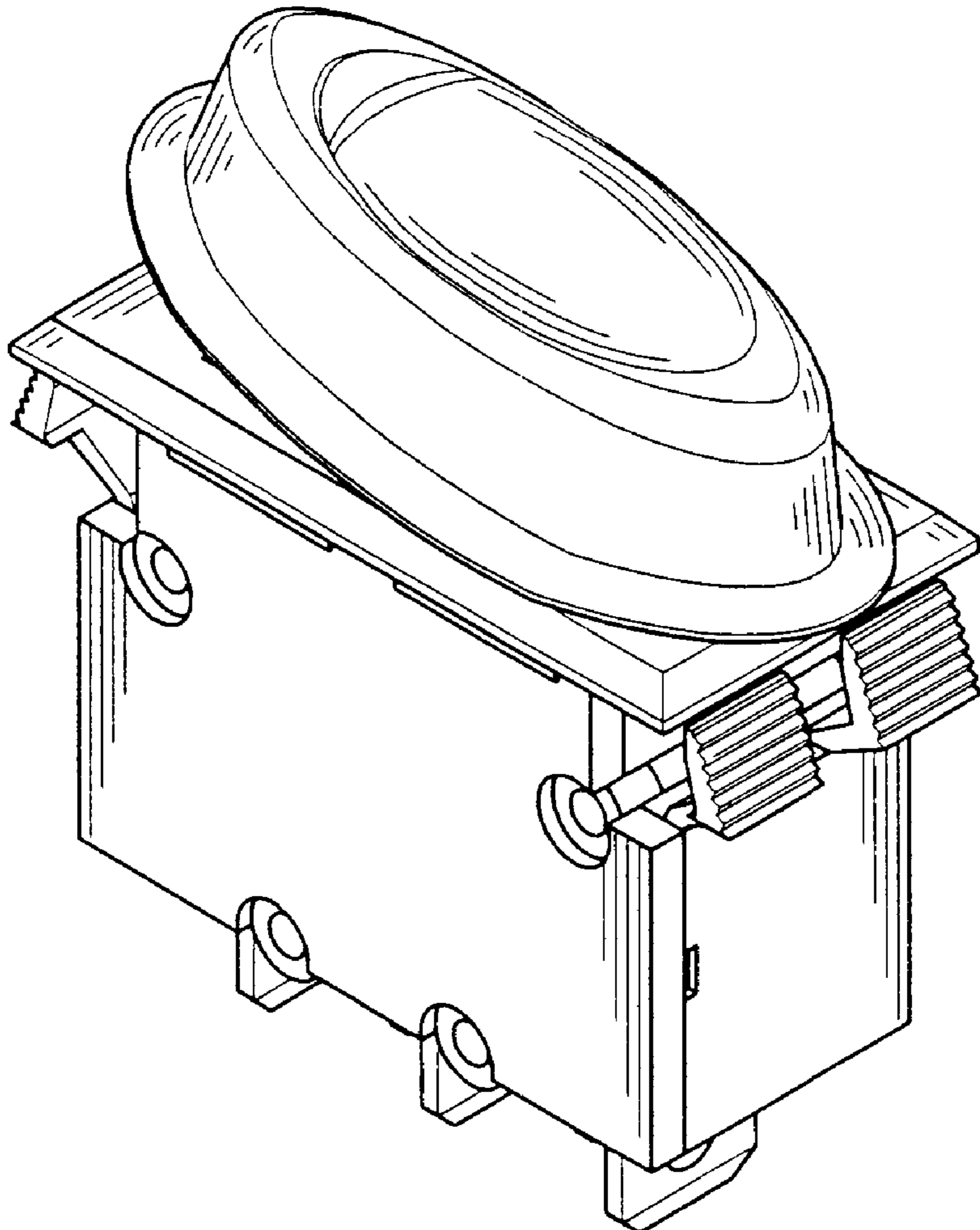
(57) **CLAIM**

The ornamental design for switch, as shown and described.

DESCRIPTION

FIG. 1 is a perspective view of switch showing my new design;
FIG. 2 is a front elevational view thereof;
FIG. 3 is a rear elevational view thereof;
FIG. 4 is a left side elevational view thereof;
FIG. 5 is right side elevational view thereof;
FIG. 6 is a top view thereof; and,
FIG. 7 is a bottom view thereof.

1 Claim, 7 Drawing Sheets



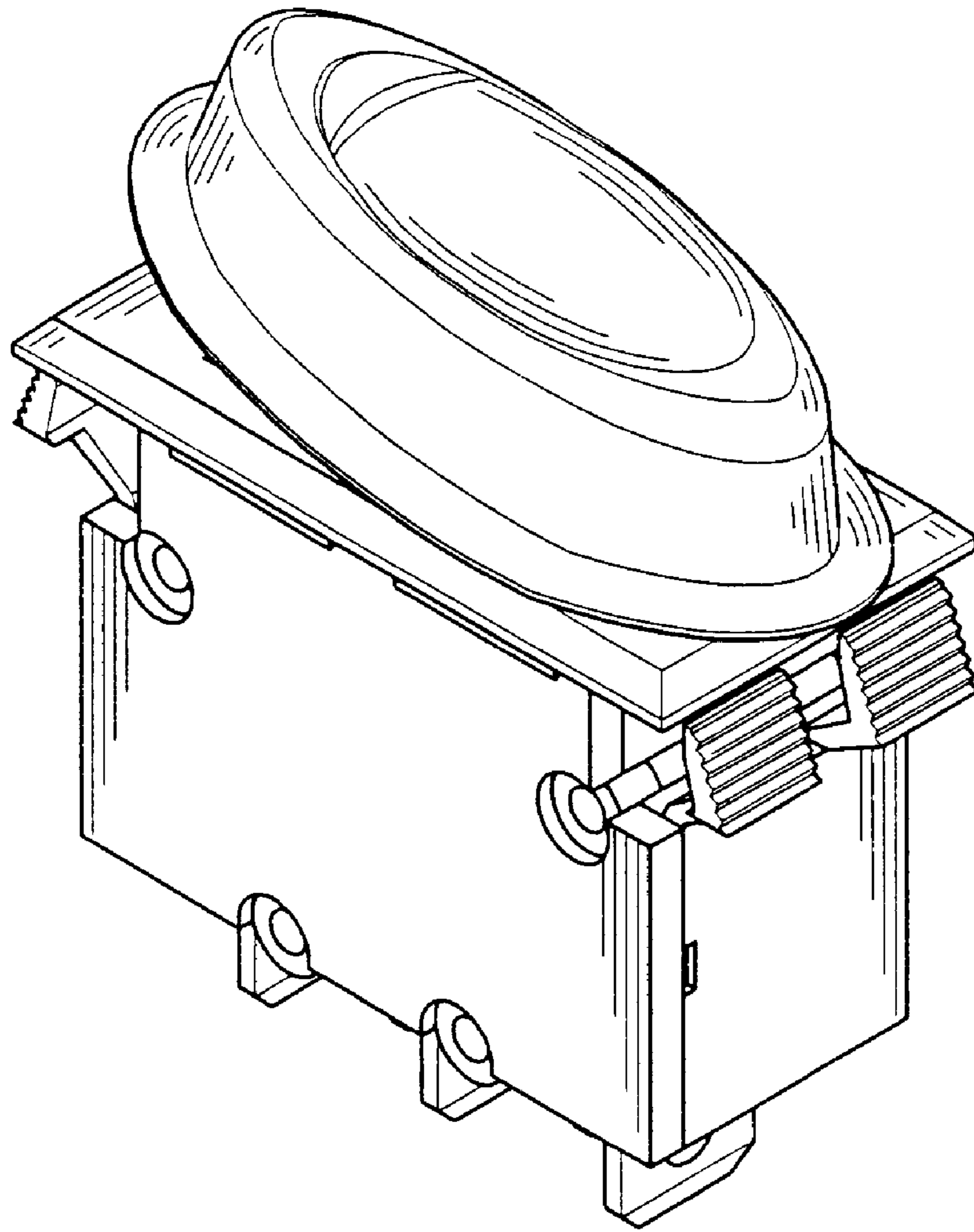


FIG. 1

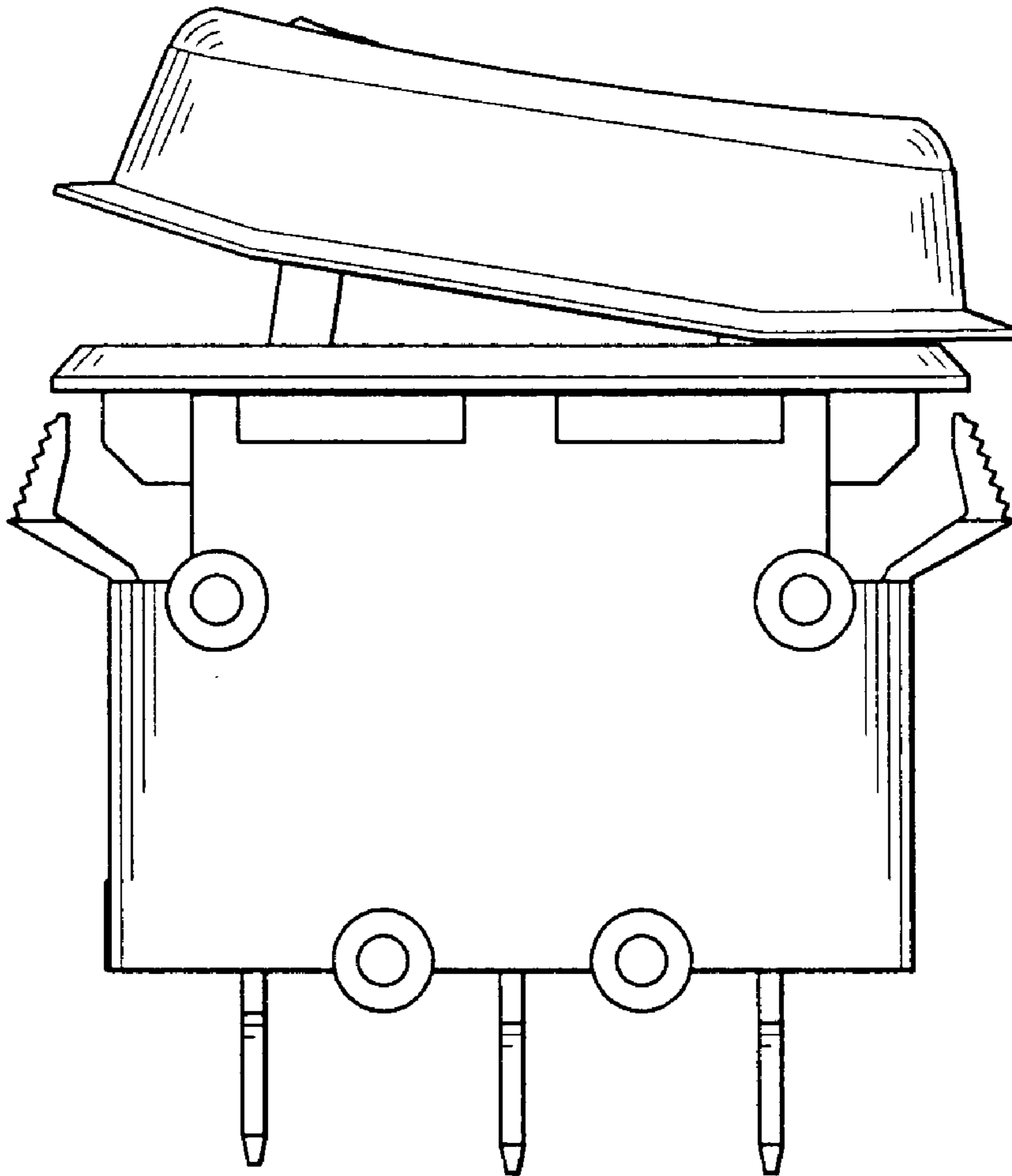


FIG. 2

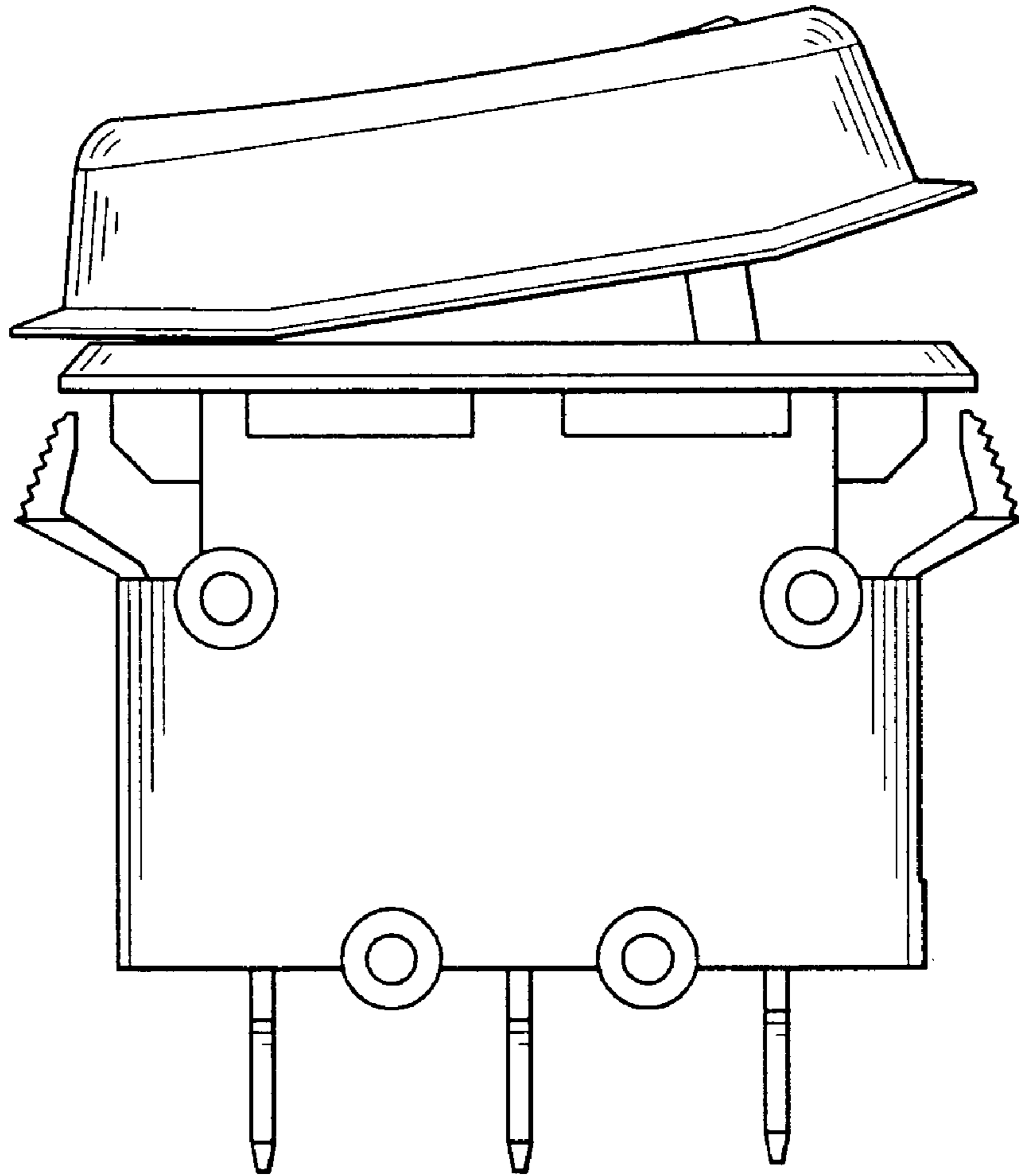


FIG. 3

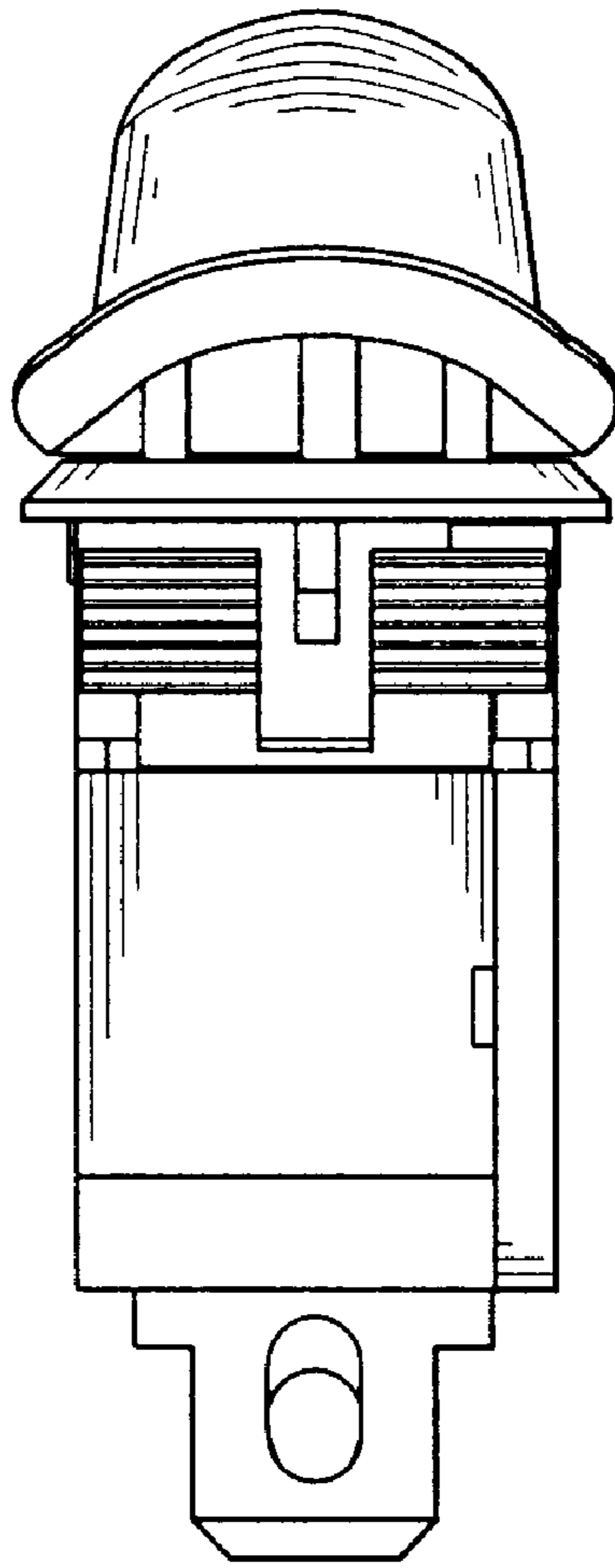


FIG. 4

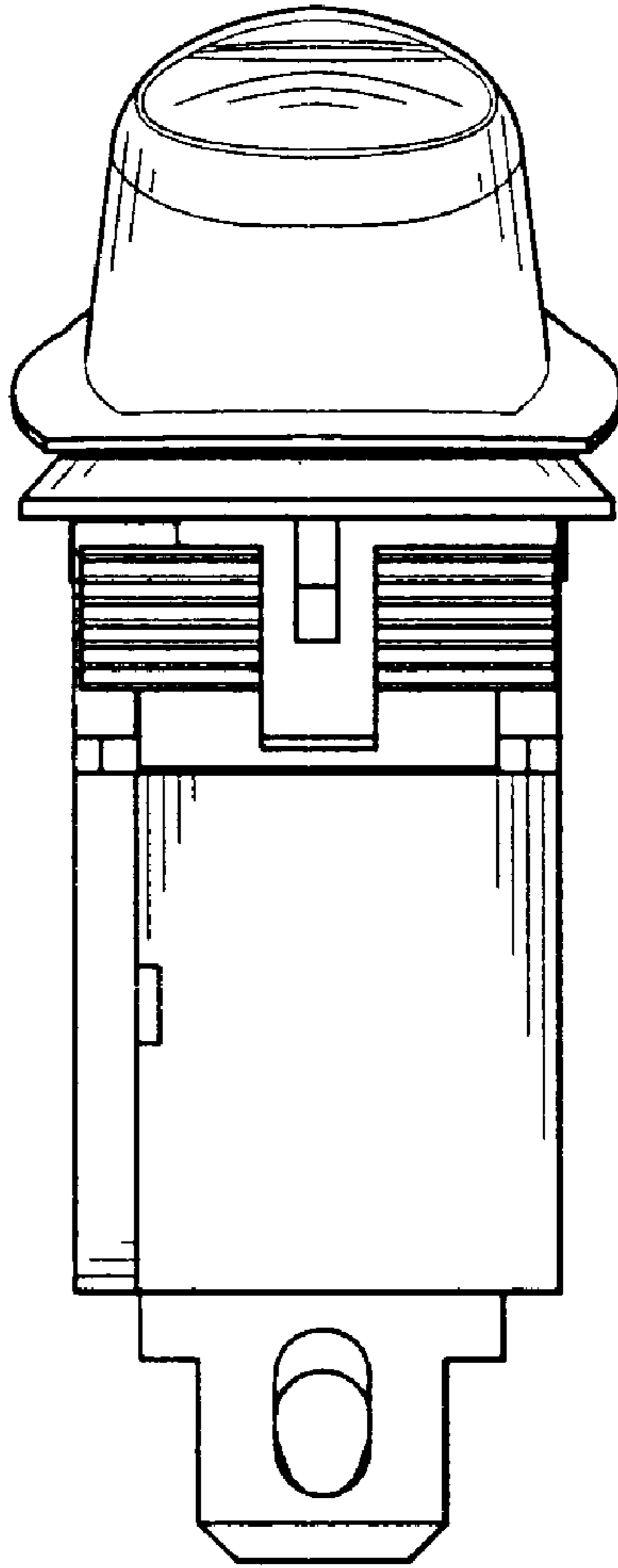


FIG. 5

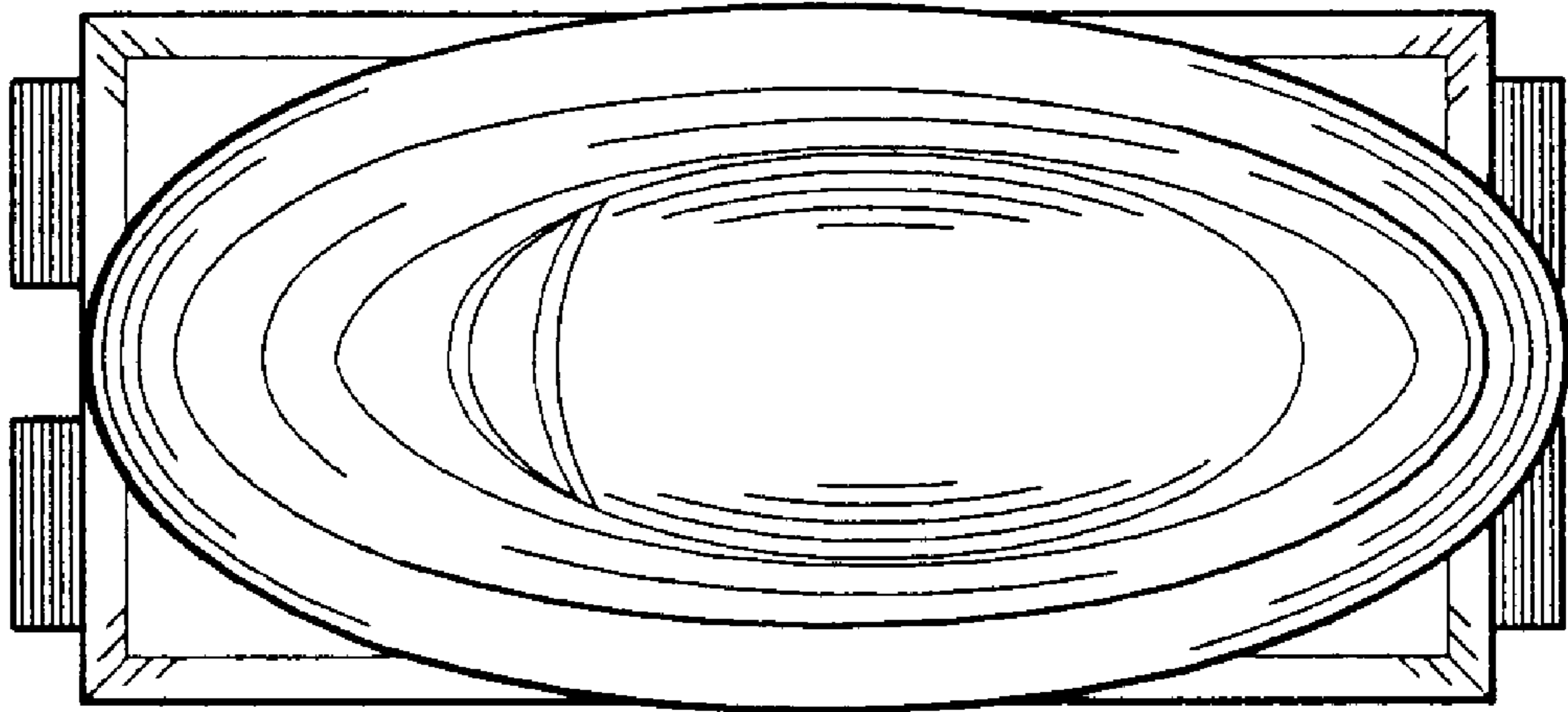


FIG. 6

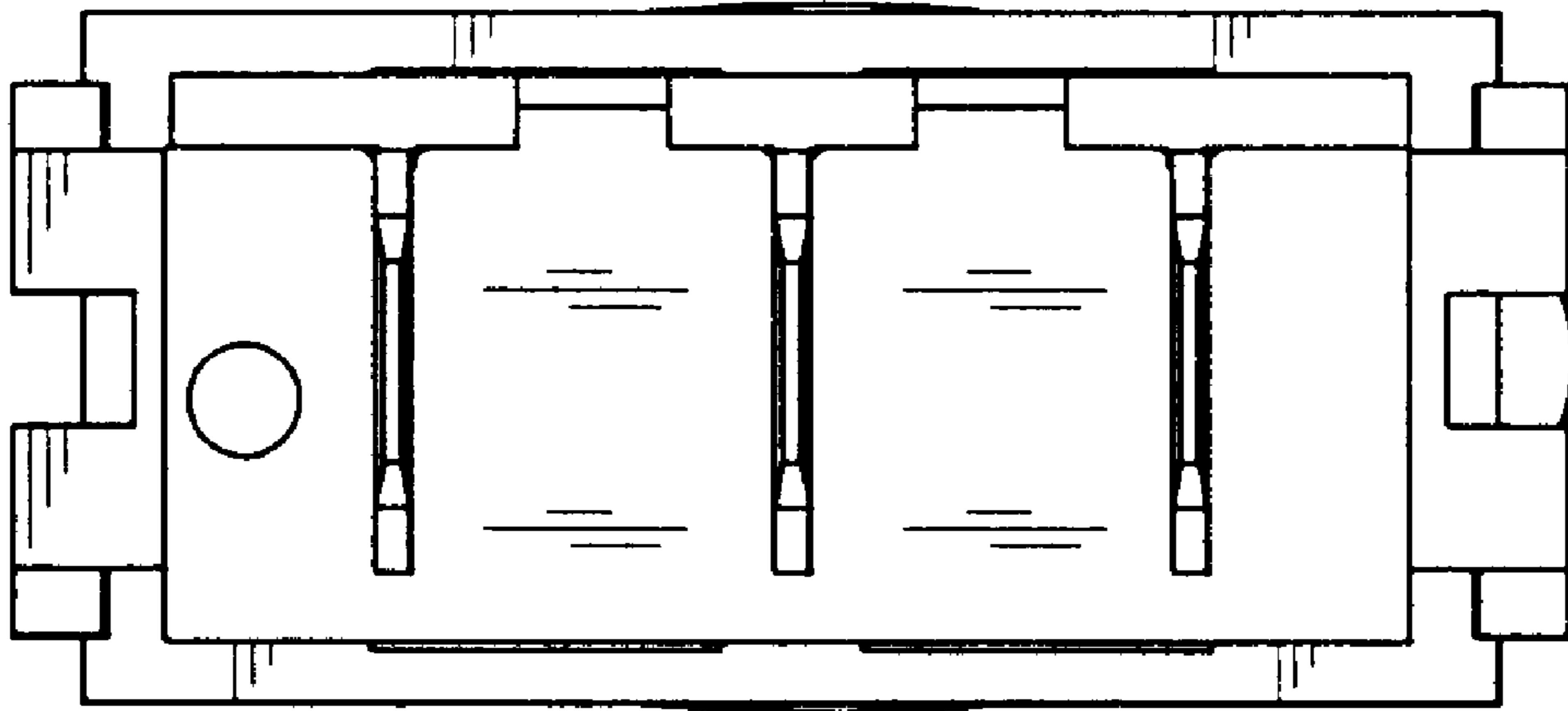


FIG. 7