



US00D474158S

(12) **United States Design Patent**  
**Liao**

(10) **Patent No.:** **US D474,158 S**

(45) **Date of Patent:** **\*\* May 6, 2003**

(54) **OPTICAL SWITCH EQUIPMENT**

(75) Inventor: **Chih-Yuan Liao, Tu-Chen (TW)**

(73) Assignee: **Hon Hai Precision Ind. Co., Ltd.,  
Taipei Hsien (TW)**

(\*\*) Term: **14 Years**

(21) Appl. No.: **29/152,162**

(22) Filed: **Dec. 13, 2001**

(30) **Foreign Application Priority Data**

Sep. 14, 2001 (TW) ..... 90305957

(51) **LOC (7) Cl.** ..... **13-03**

(52) **U.S. Cl.** ..... **D13/158**

(58) **Field of Search** ..... D13/158; 250/227.4,  
250/551; 359/117, 118, 127, 128, 139;  
385/16, 18, 19, 23, 184, 134, 135

(56) **References Cited**

**U.S. PATENT DOCUMENTS**

- 4,607,161 A \* 8/1986 Anderson et al. .... 250/227.21
- 4,790,621 A \* 12/1988 Calaby et al. .... 385/21
- 4,878,729 A \* 11/1989 Stewart ..... 385/18
- 5,042,889 A \* 8/1991 Benzoni ..... 385/16

- 5,642,446 A \* 6/1997 Tsai ..... 385/16
- D427,154 S \* 6/2000 Wong ..... D13/158
- 6,219,472 B1 \* 4/2001 Horino et al. .... 385/16
- 6,269,214 B1 \* 7/2001 Naudin et al. .... 385/135
- 6,366,714 B1 \* 4/2002 DeBoynton et al. .... 385/16

\* cited by examiner

*Primary Examiner*—Ted Shooman

*Assistant Examiner*—Selina Sikder

(74) *Attorney, Agent, or Firm*—Wei Te Chung

(57) **CLAIM**

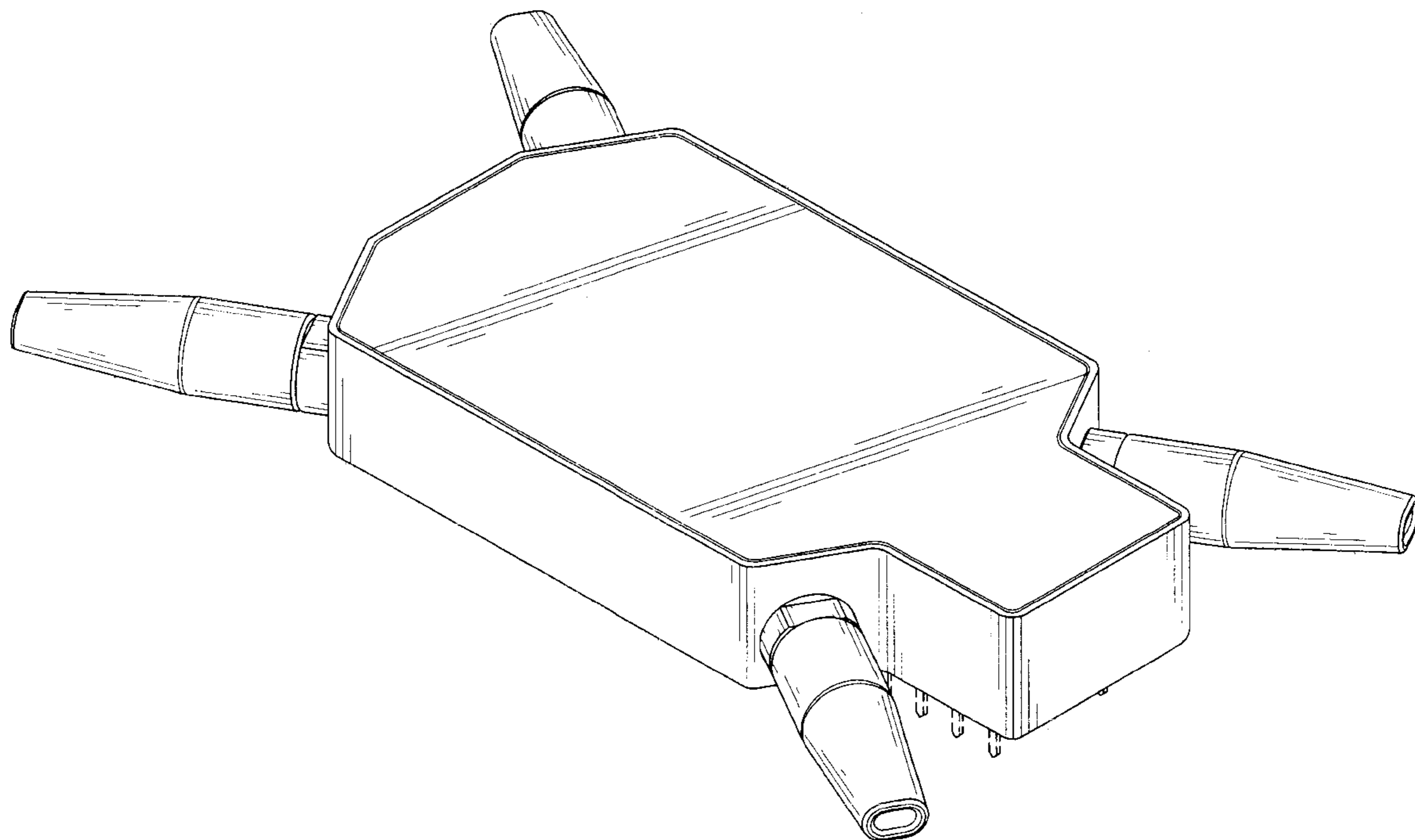
The ornamental design of an optical switch equipment, as shown and described.

**DESCRIPTION**

FIG. 1 is a front, top and right side perspective view of an optical switch equipment showing our new design;  
 FIG. 2 is a front elevational view thereof;  
 FIG. 3 is a rear elevational view thereof;  
 FIG. 4 is a left side elevational view thereof;  
 FIG. 5 is a right side elevational view thereof;  
 FIG. 6 is a top plan view thereof; and,  
 FIG. 7 is a bottom plan view thereof.

The broken line showing of the environment is for illustrative purpose only and forms no part of the claimed design.

**1 Claim, 6 Drawing Sheets**



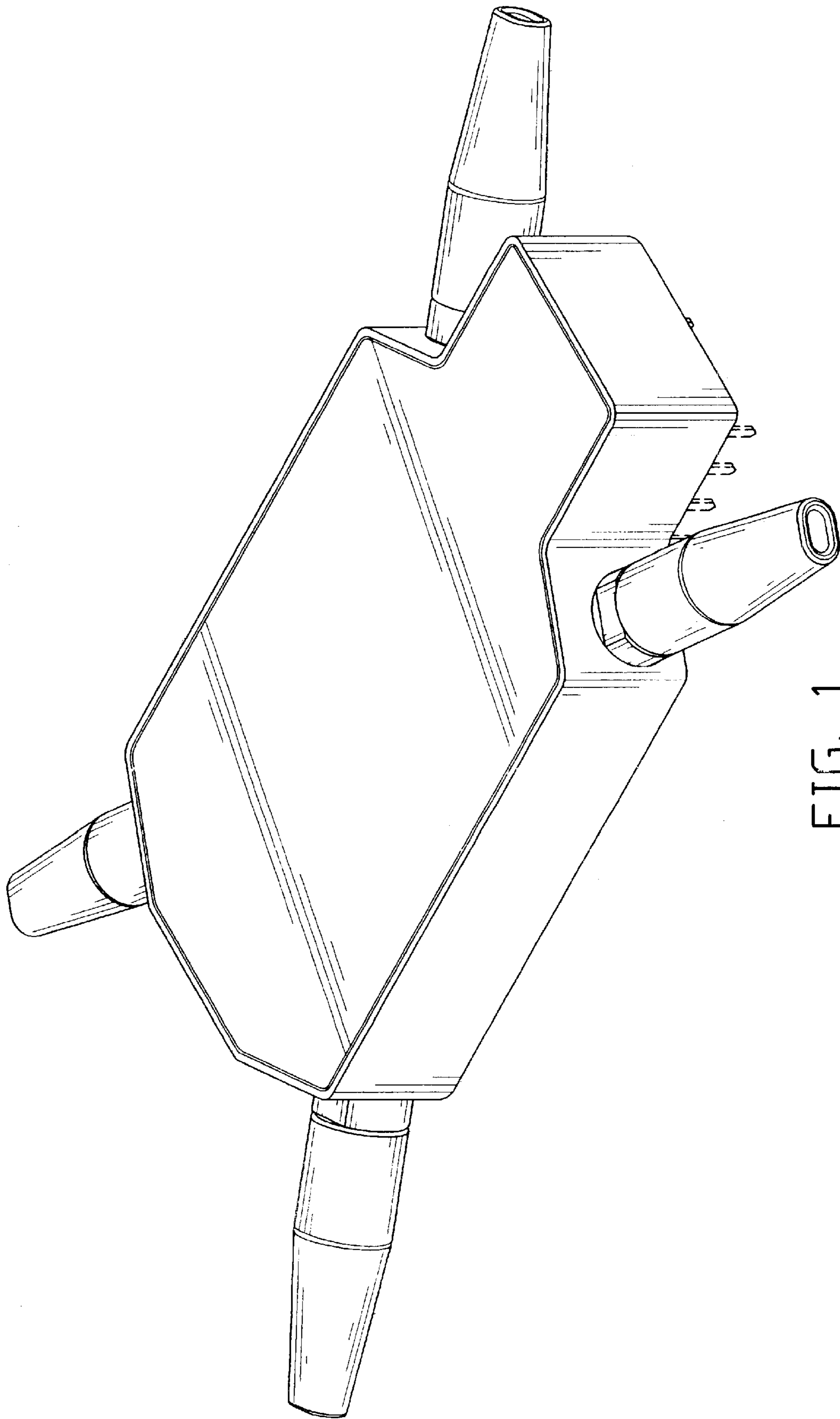


FIG. 1

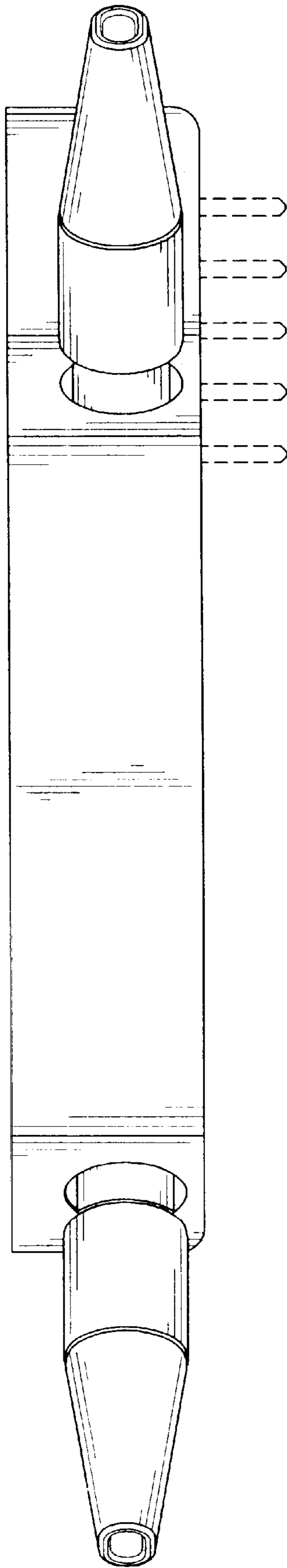


FIG. 2

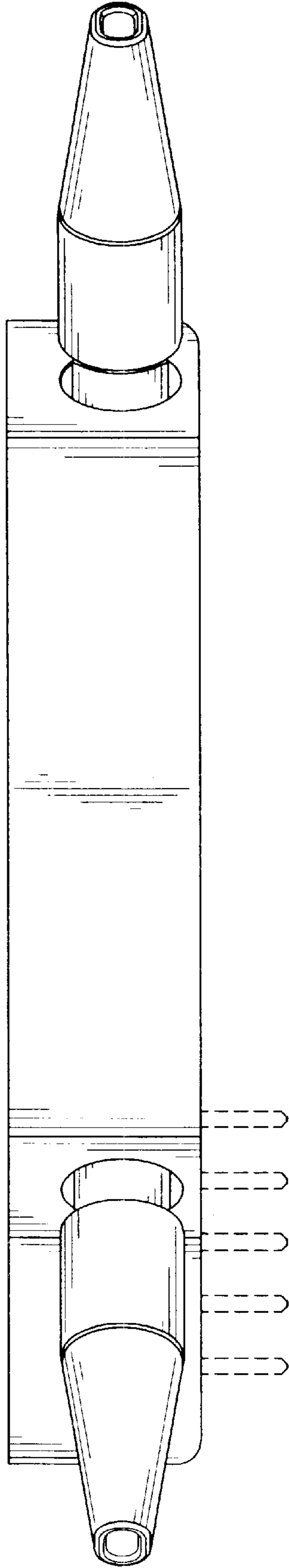


FIG. 3

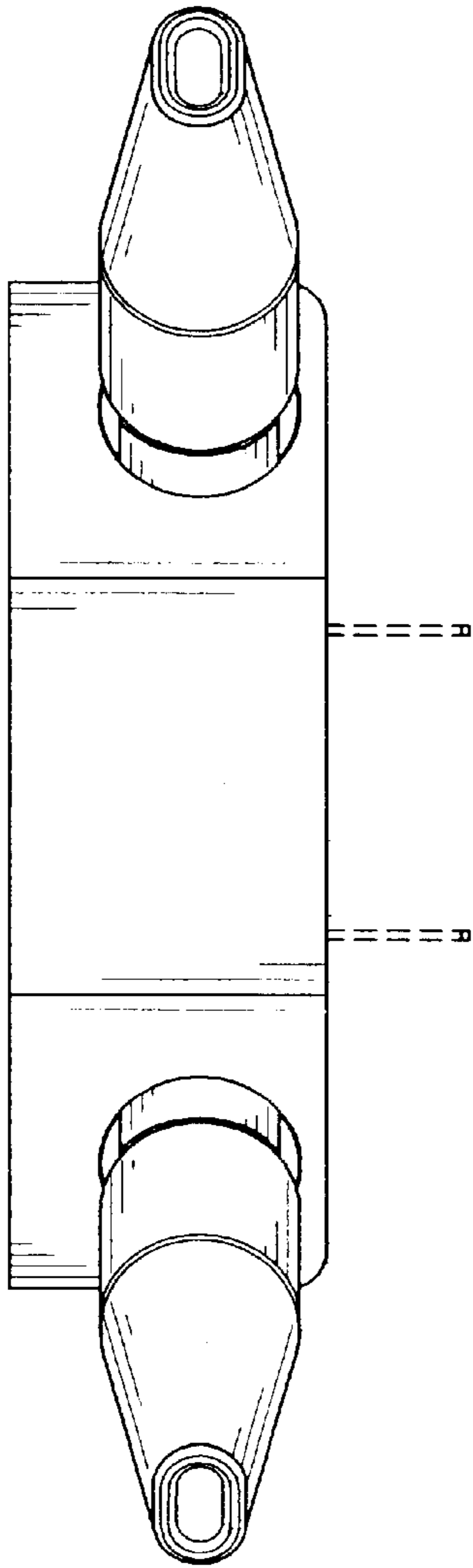


FIG. 4

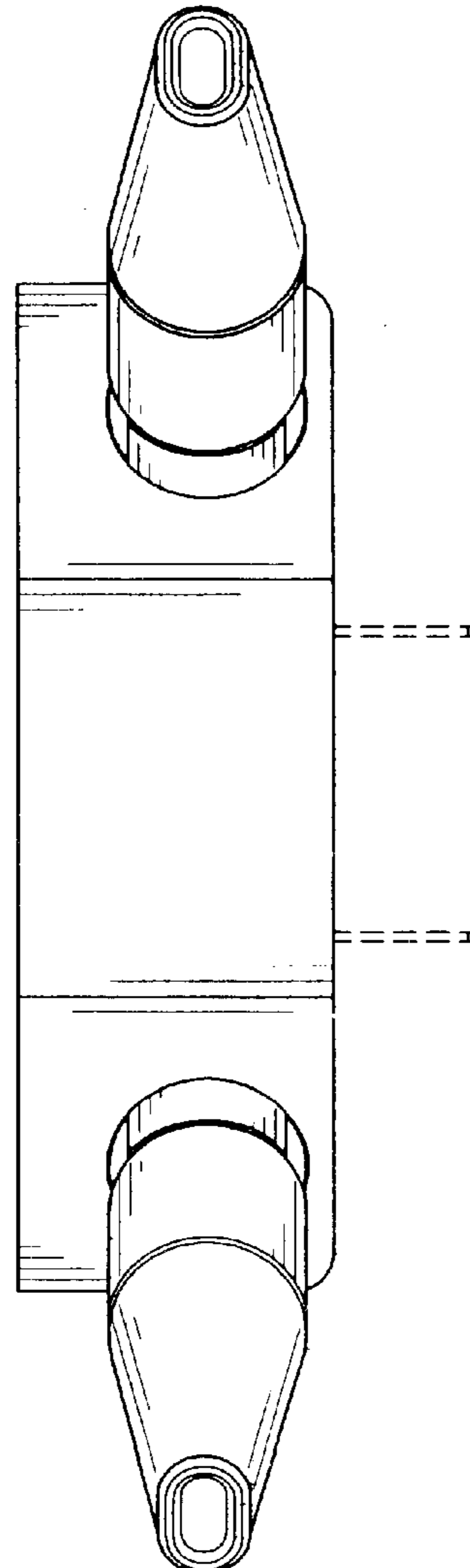


FIG. 5

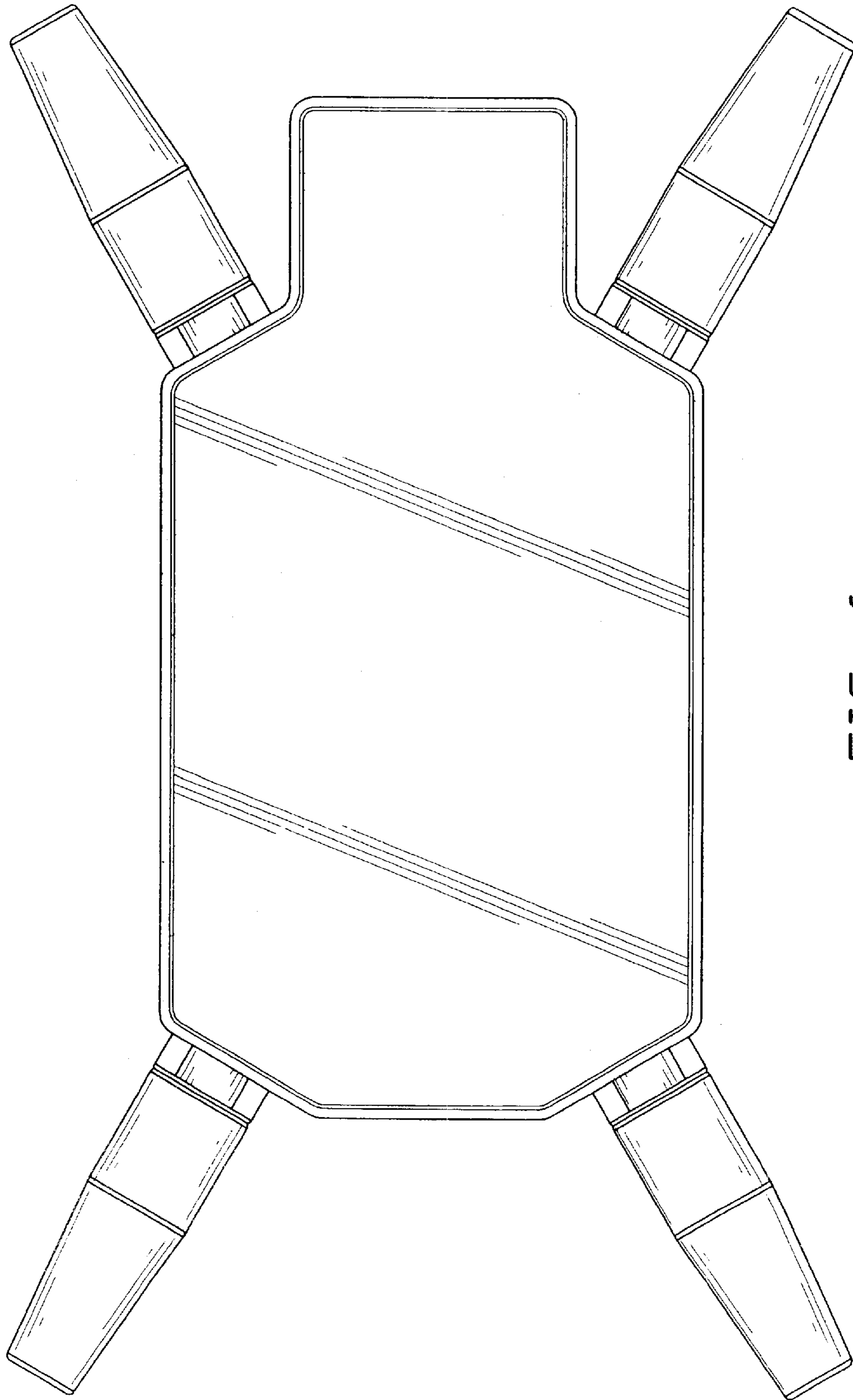


FIG. 6

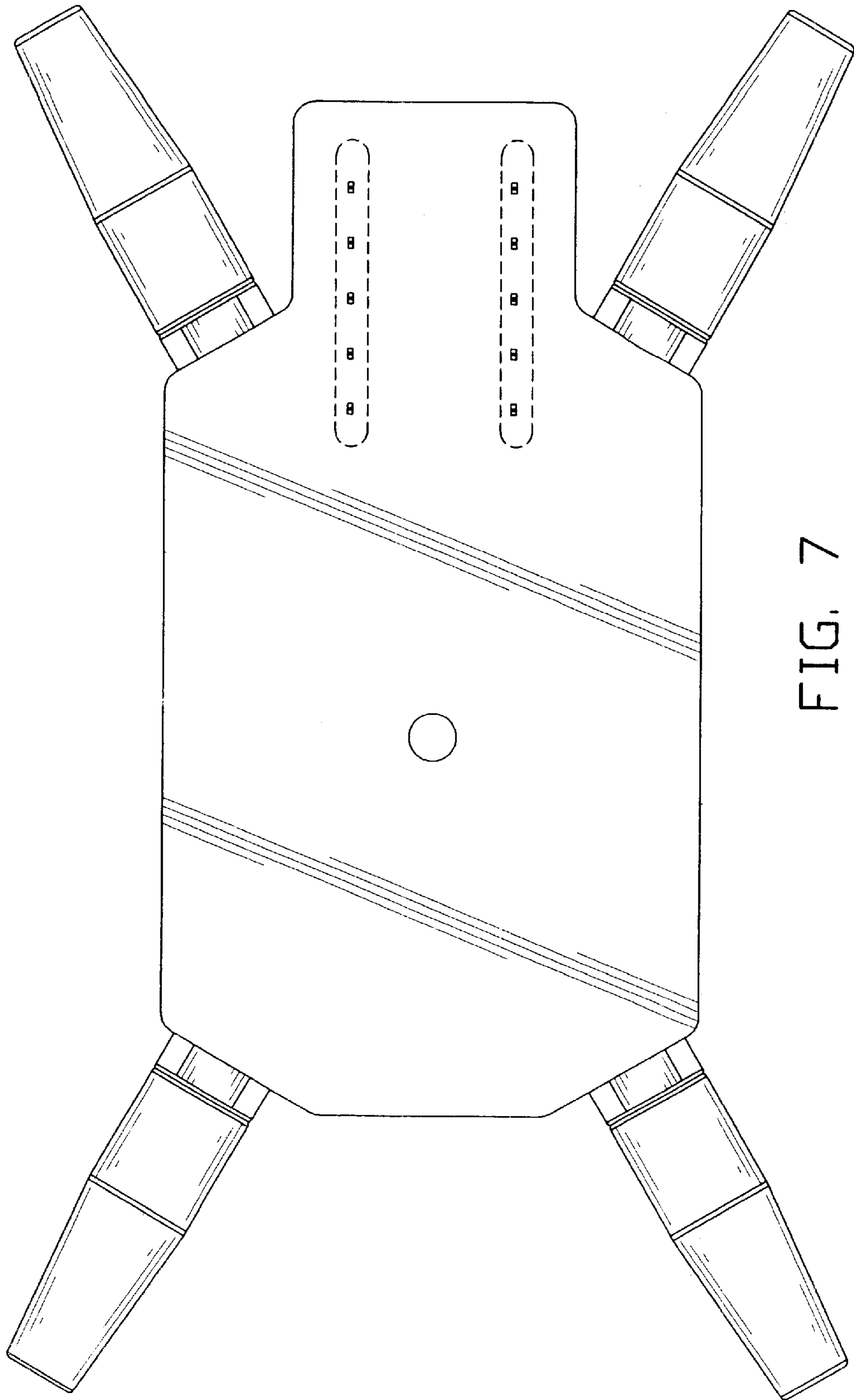


FIG. 7