



US00D474156S

(12) **United States Design Patent**  
**Vournou**

(10) **Patent No.:** **US D474,156 S**

(45) **Date of Patent:** **\*\* May 6, 2003**

(54) **POWER CORD CONNECTOR**

(76) Inventor: **Antonios Vournou**, 7 Meadowbrook Rd., Syosset, NY (US) 11791

(\*\*) Term: **14 Years**

(21) Appl. No.: **29/156,106**

(22) Filed: **Feb. 22, 2002**

(51) **LOC (7) Cl.** ..... **13-03**

(52) **U.S. Cl.** ..... **D13/154**

(58) **Field of Search** ..... D8/356; D13/149, D13/152-156, 184, 199; 24/129 R, 130; 439/368-371, 650-654

(56) **References Cited**

**U.S. PATENT DOCUMENTS**

3,141,723	A	*	7/1964	Bonhomme	.....	439/827
3,344,393	A		9/1967	Hendee		
D211,249	S	*	6/1968	Payne	.....	D13/156
3,475,716	A		10/1969	Laig		
3,999,828	A		12/1976	Howell		
4,221,449	A		9/1980	Shugart, Jr.		
4,664,463	A		5/1987	Carmo		
4,886,228	A	*	12/1989	Kennedy	.....	248/74.1
D317,298	S	*	6/1991	Schmidt et al.	.....	D13/154
D333,421	S	*	2/1993	Patti	.....	D8/356
D340,695	S		10/1993	Merriman et al.		

D353,578 S \* 12/1994 Johnson et al. .... D13/154

\* cited by examiner

*Primary Examiner*—Robert M. Spear

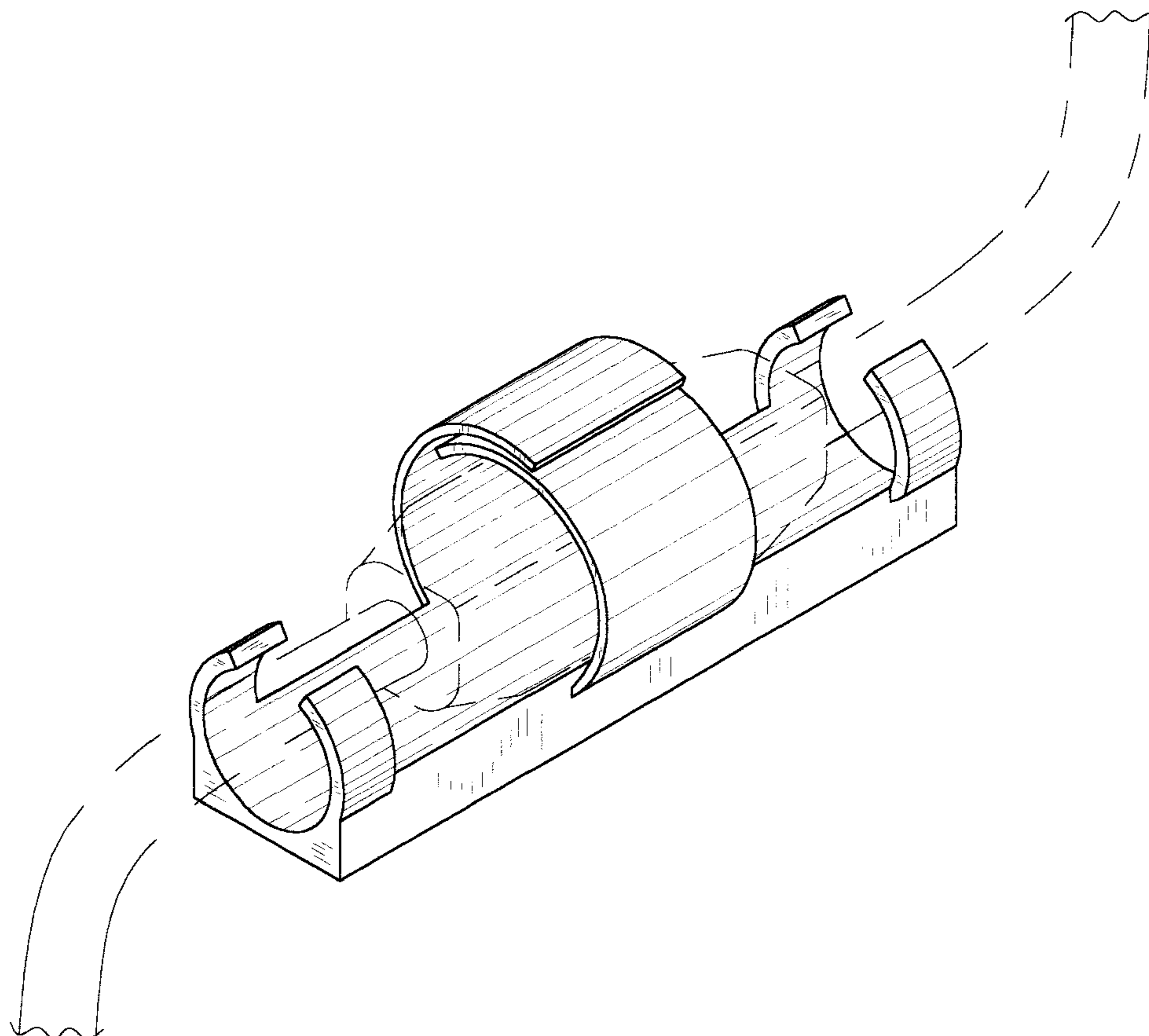
(57) **CLAIM**

The ornamental design for a power cord connector, as shown and described.

**DESCRIPTION**

FIG. 1 is a front elevational view of a power cord connector of the present invention;  
 FIG. 2 is a rear elevational view of the power cord connector of FIG. 1;  
 FIG. 3 is a left side elevational view of the power cord connector of FIG. 1, the right view being a mirror image thereof;  
 FIG. 4 is a top plan view of the power cord connector of FIG. 1;  
 FIG. 5 is a bottom plan view of the power cord connector of FIG. 1; and,  
 FIG. 6 is a top, front, left side perspective view of the power cord connector of FIG. 1.  
 The broken lines showing electrical cords in FIG. 6 are for illustrative purposes only and form no part of the claimed design.

**1 Claim, 4 Drawing Sheets**



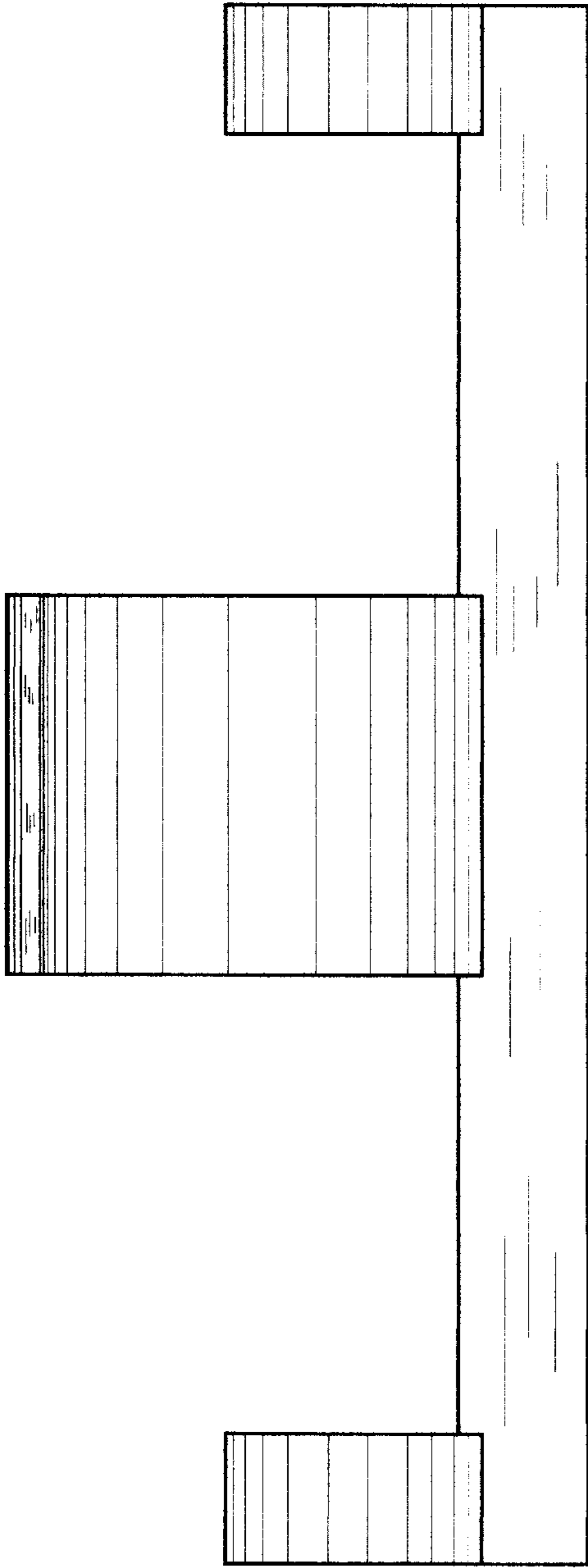


FIG. 1

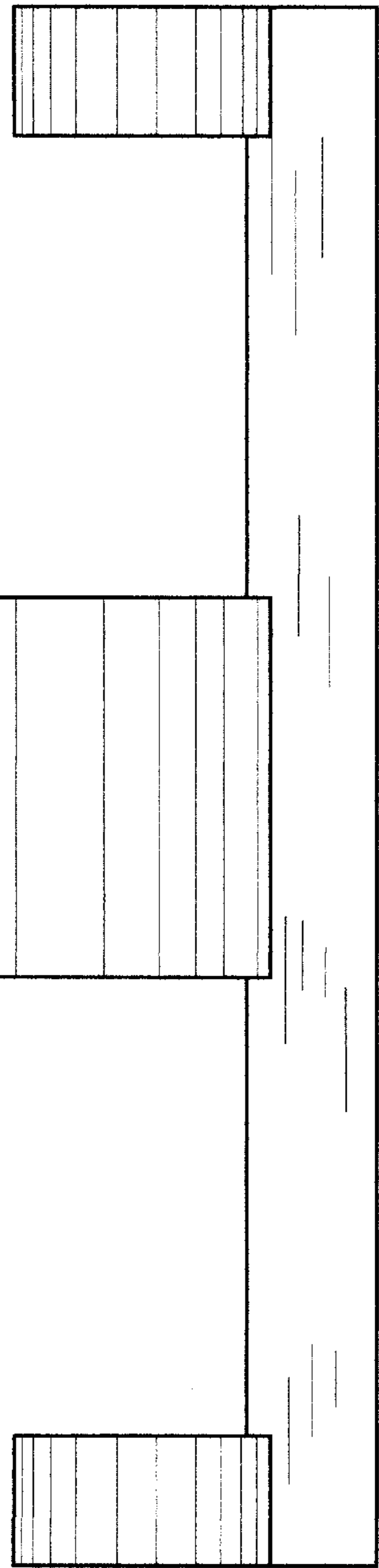


FIG. 2

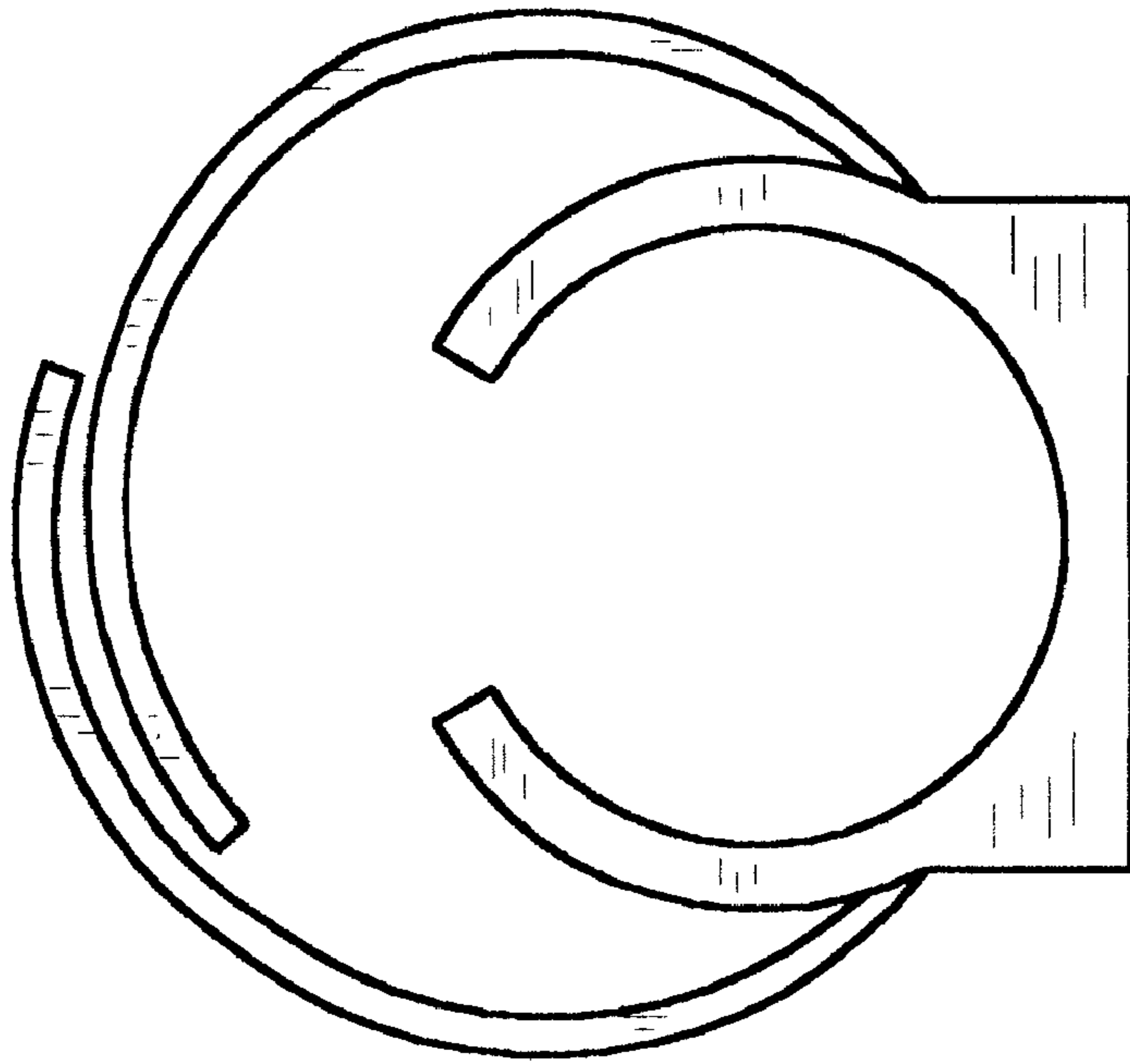


FIG. 3

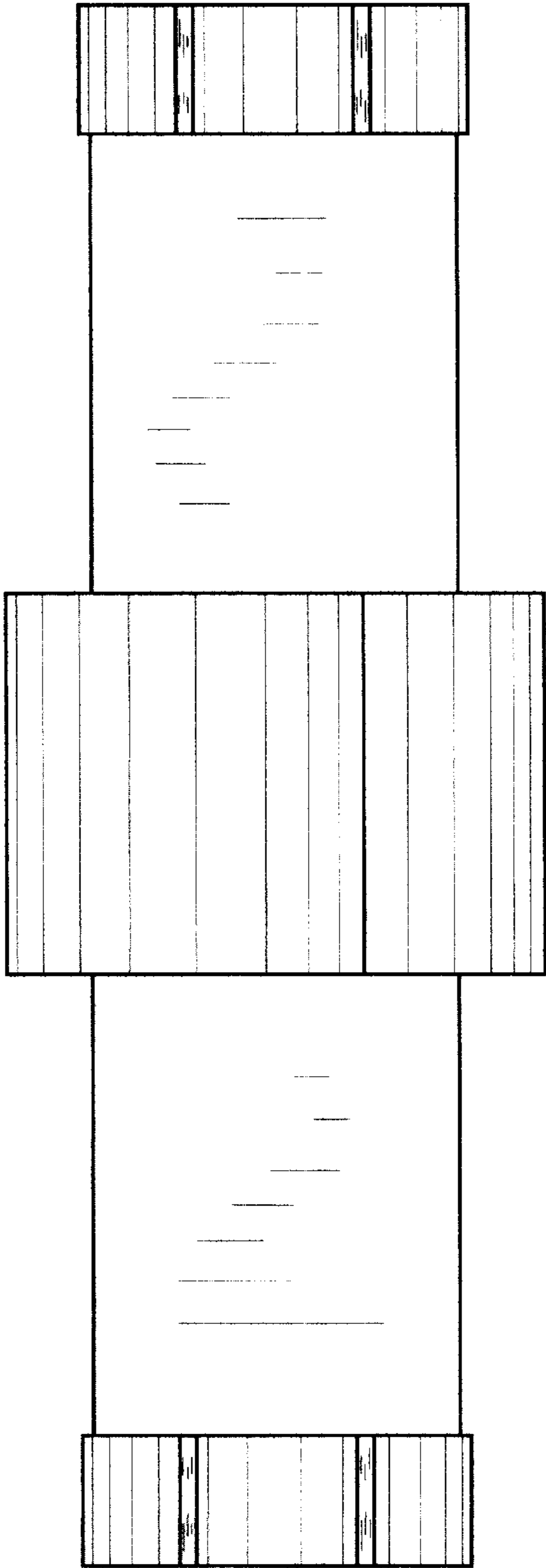


FIG. 4

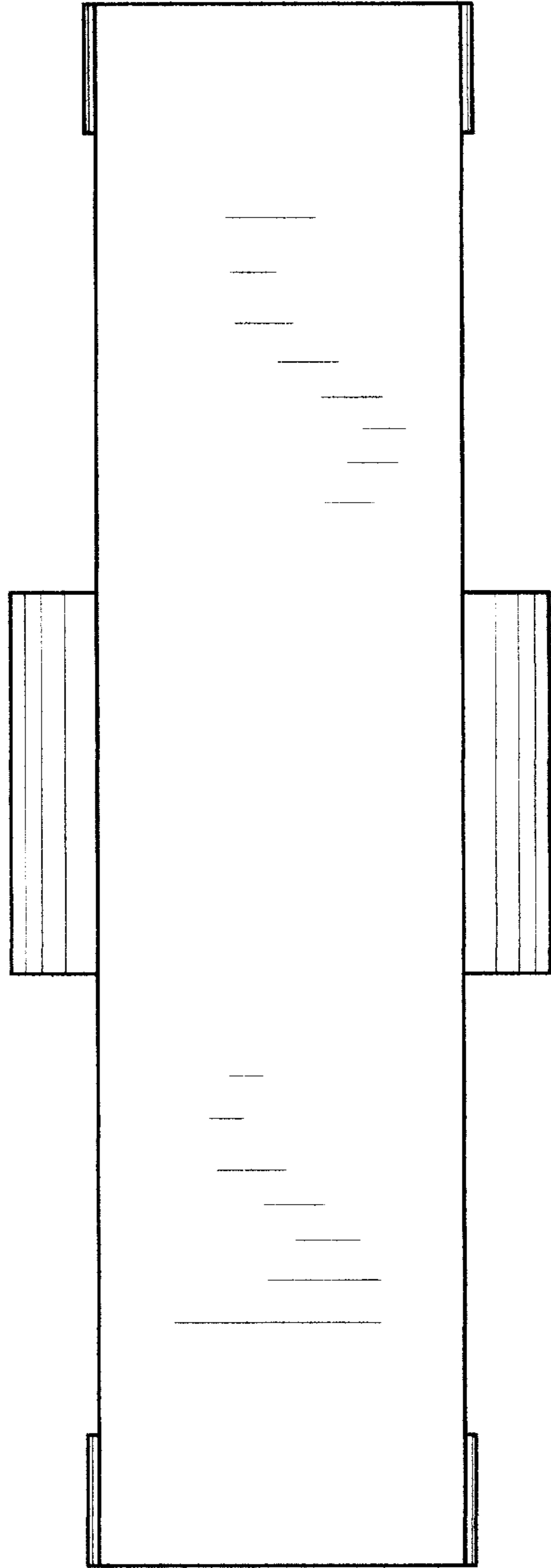


FIG. 5

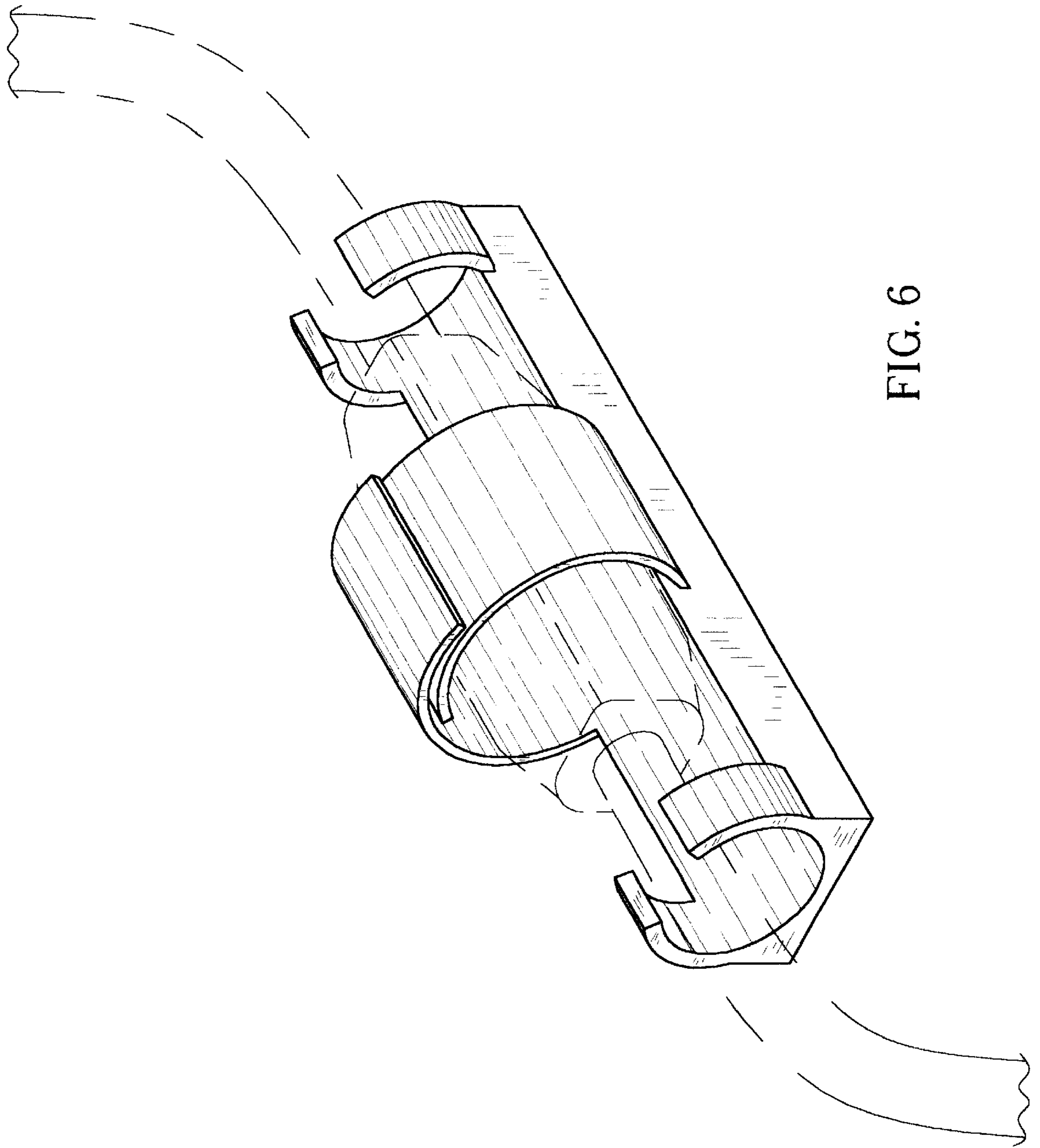


FIG. 6