



US00D474155S

(12) **United States Design Patent**
Wu

(10) **Patent No.:** **US D474,155 S**

(45) **Date of Patent:** **** May 6, 2003**

(54) **ELECTRICAL CONNECTOR**

(75) Inventor: **Jerry Wu**, Irvine, CA (US)

(73) Assignee: **Hon Hai Precision Ind. Co., Ltd.**,
Taipei Hsien (TW)

(**) Term: **14 Years**

(21) Appl. No.: **29/165,381**

(22) Filed: **Aug. 8, 2002**

(51) **LOC (7) Cl.** **13-03**

(52) **U.S. Cl.** **D13/147**

(58) **Field of Search** D13/147; 439/78,
439/374, 660, 540.1

(56) **References Cited**

U.S. PATENT DOCUMENTS

5,575,674 A	*	11/1996	Davis et al.	439/347 X
D378,207 S	*	2/1997	Wu et al.	D13/147
5,622,519 A	*	4/1997	Bixler et al.	439/571 X
5,879,196 A	*	3/1999	Lee	439/660

6,036,549 A * 3/2000 Wulff 439/660

D423,455 S * 4/2000 Konno et al. D13/147

D429,219 S * 8/2000 Chiou D13/147

D457,859 S * 5/2002 Wu D13/146

6,447,340 B1 * 9/2002 Wu 439/660

* cited by examiner

Primary Examiner—Joel Sincavage

(74) *Attorney, Agent, or Firm*—Wei Te Chung

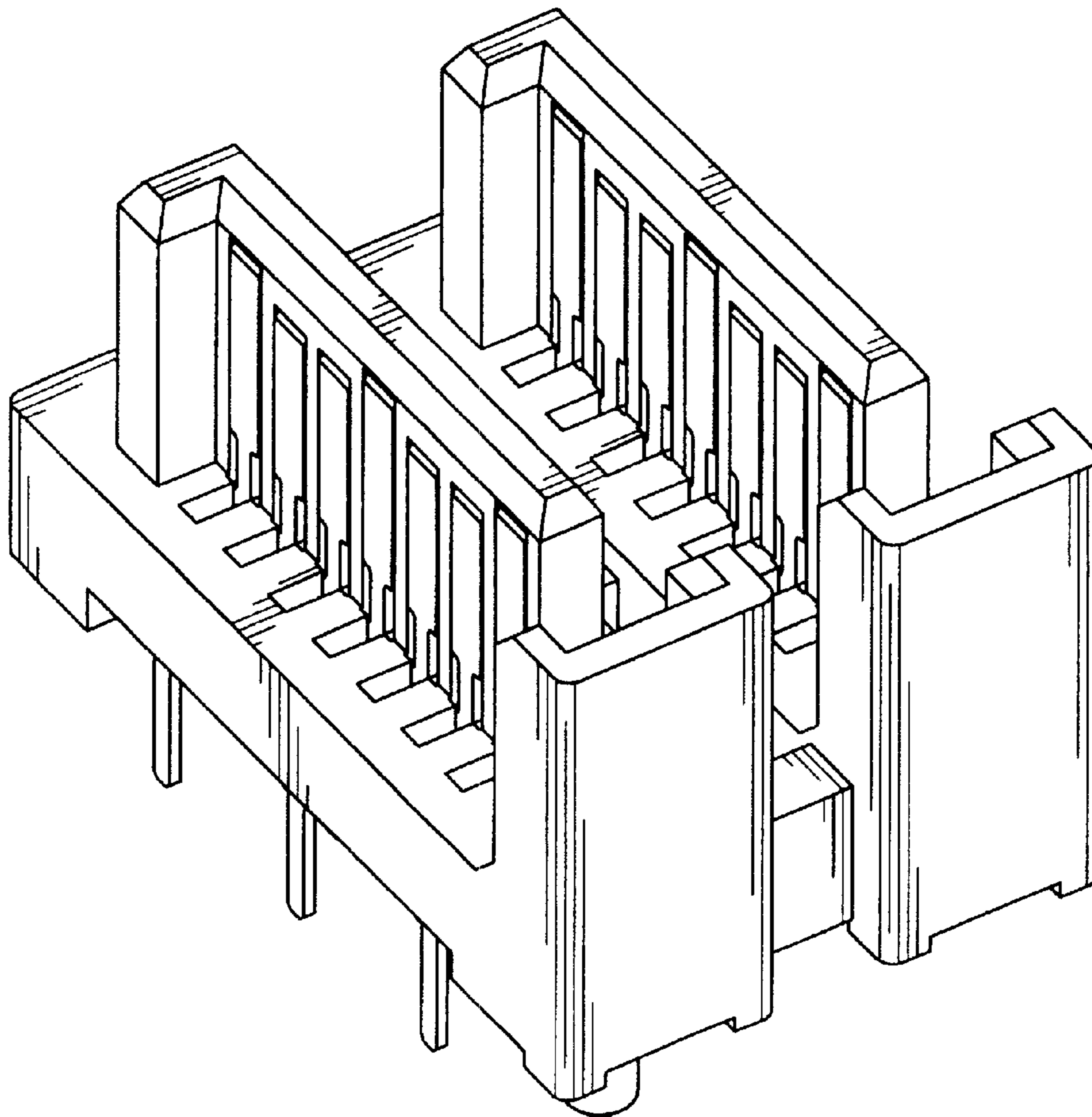
(57) **CLAIM**

The ornamental design for an electrical connector, as shown.

DESCRIPTION

FIG. 1 is a front, top and right side perspective view of an electrical connector showing my new design; FIG. 2 is a front elevational view thereof; FIG. 3 is a rear elevational view thereof; FIG. 4 is a left side elevational view thereof; FIG. 5 is a right side elevational view thereof; FIG. 6 is a top plan view thereof; and, FIG. 7 is a bottom plan view thereof.

1 Claim, 7 Drawing Sheets



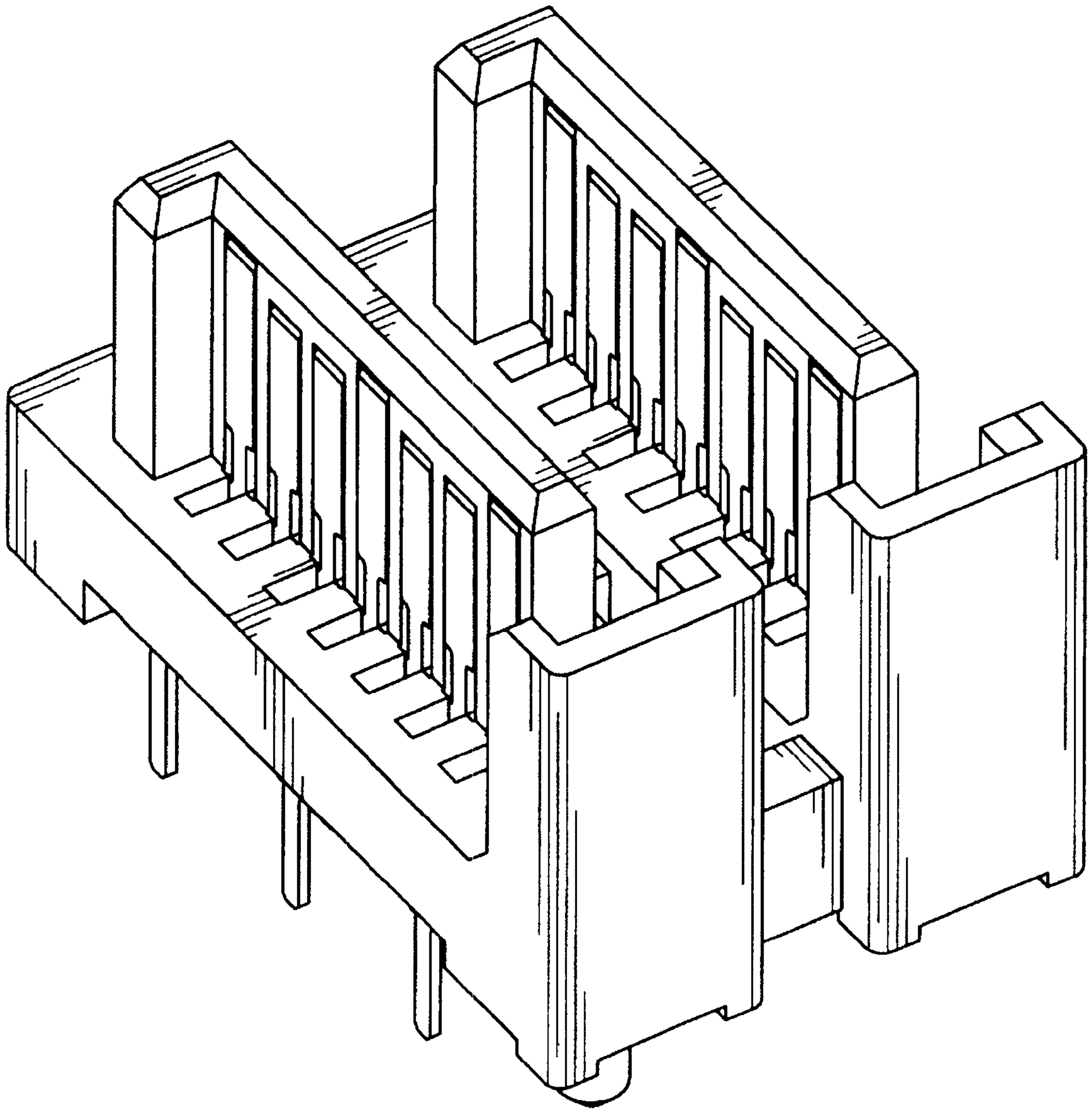


FIG. 1

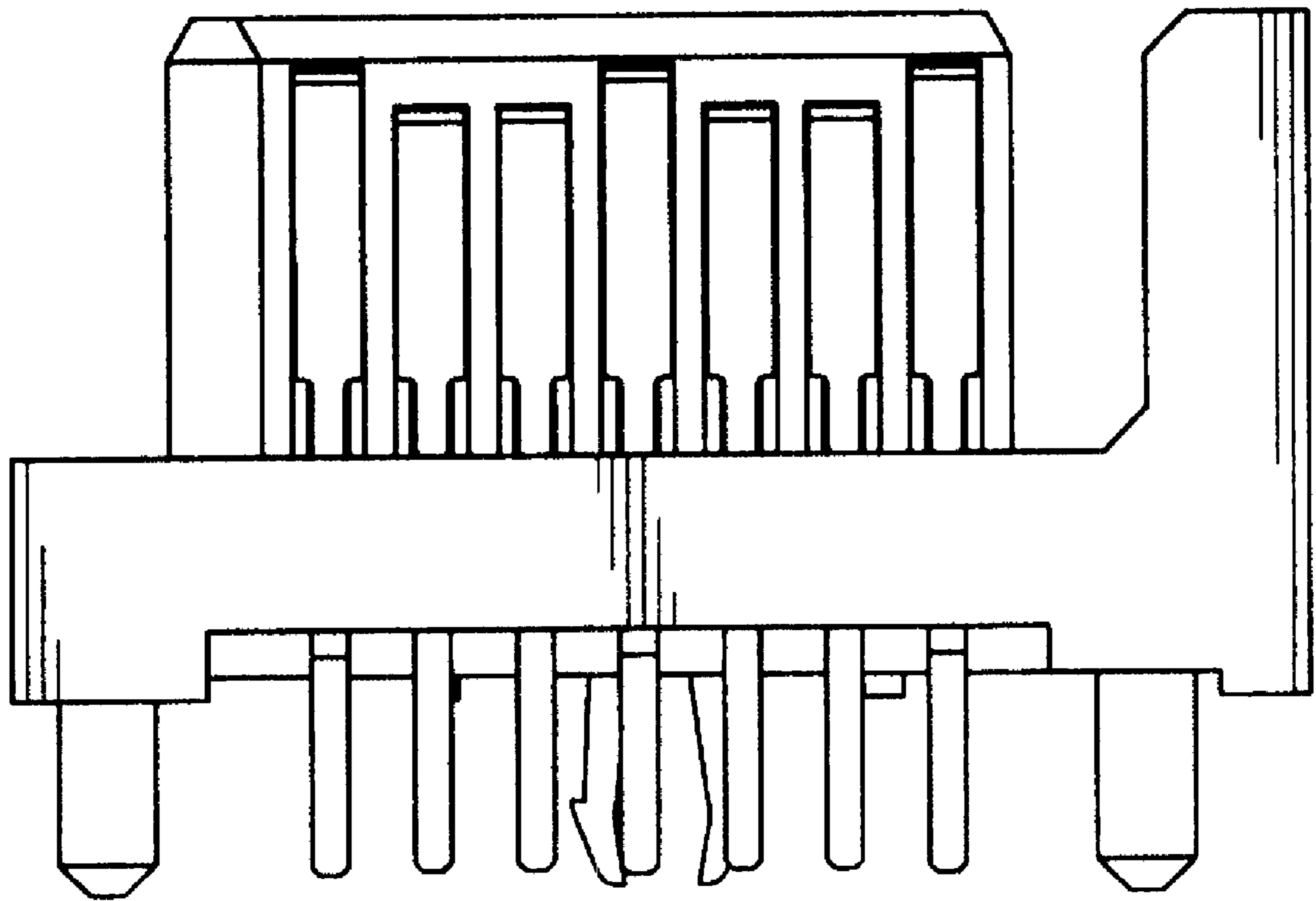


FIG. 2

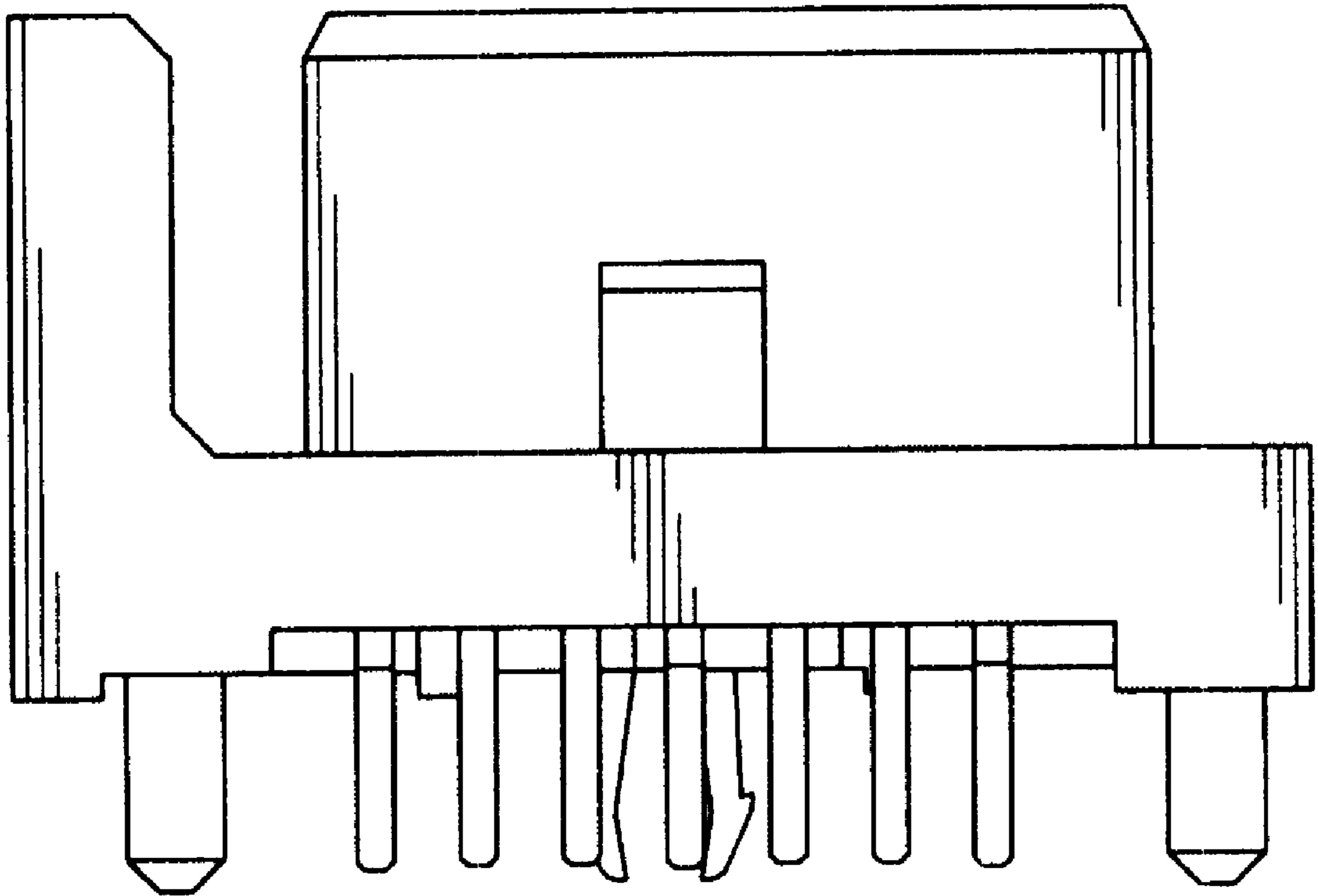


FIG. 3

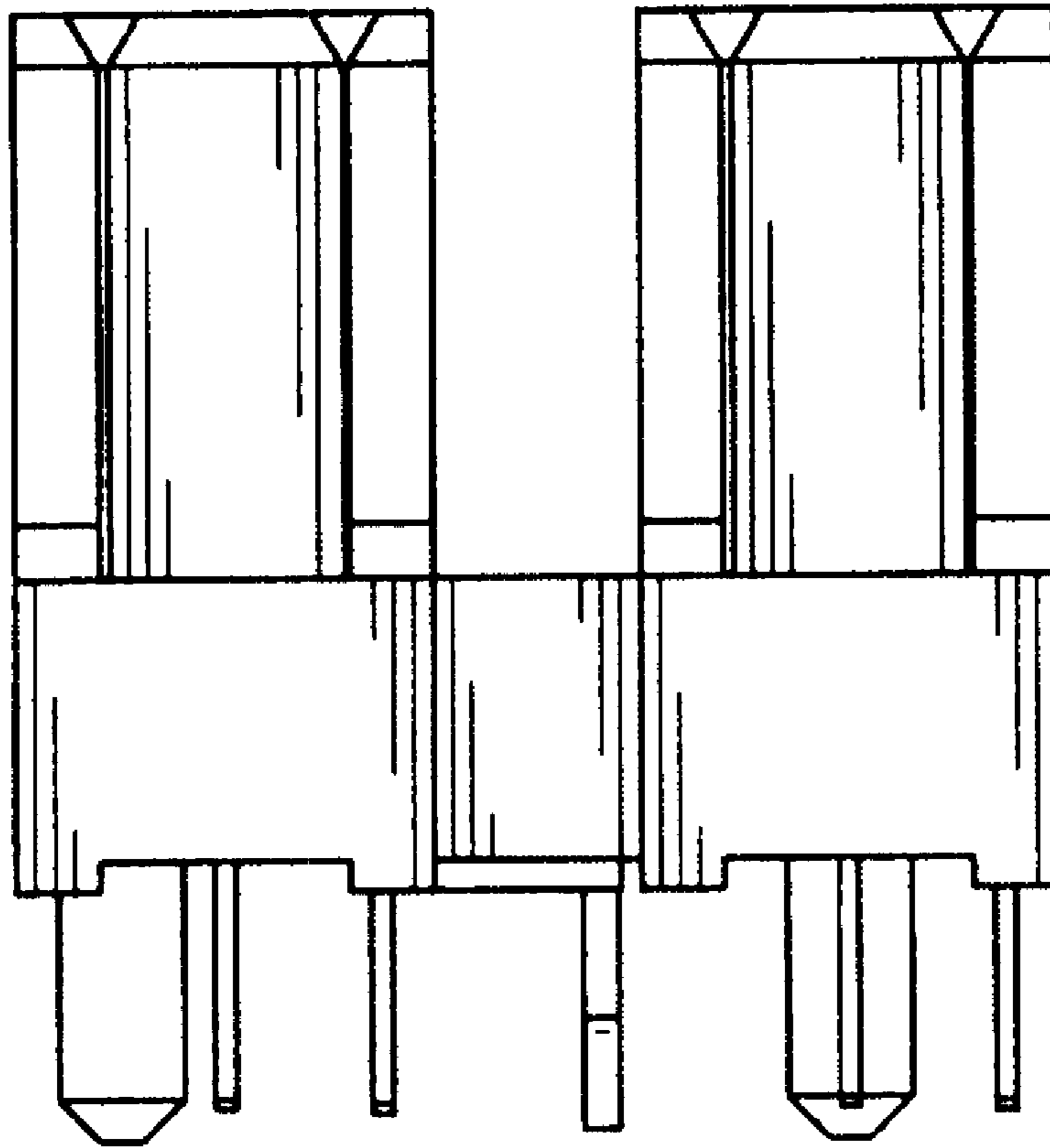


FIG. 4

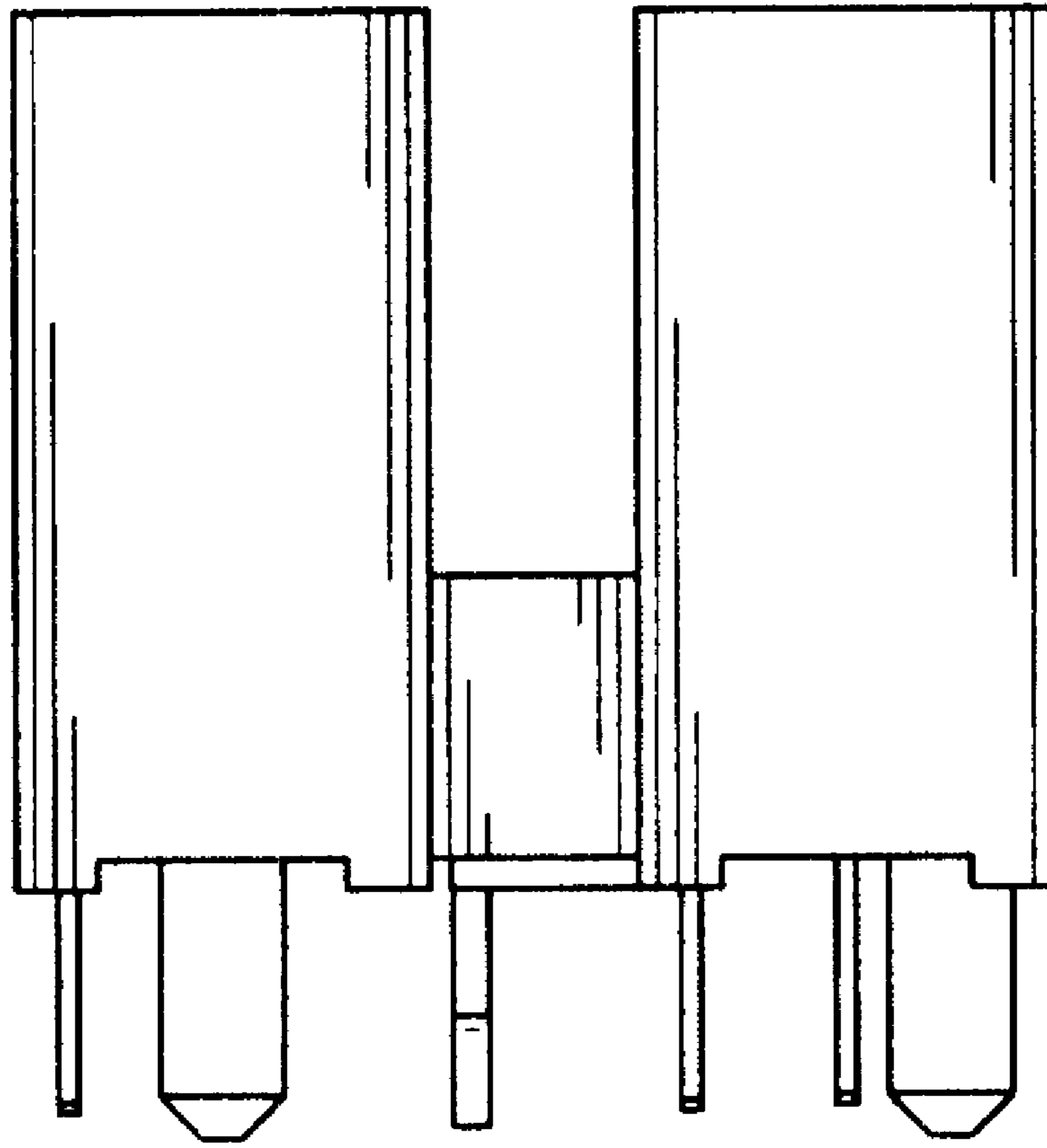


FIG. 5

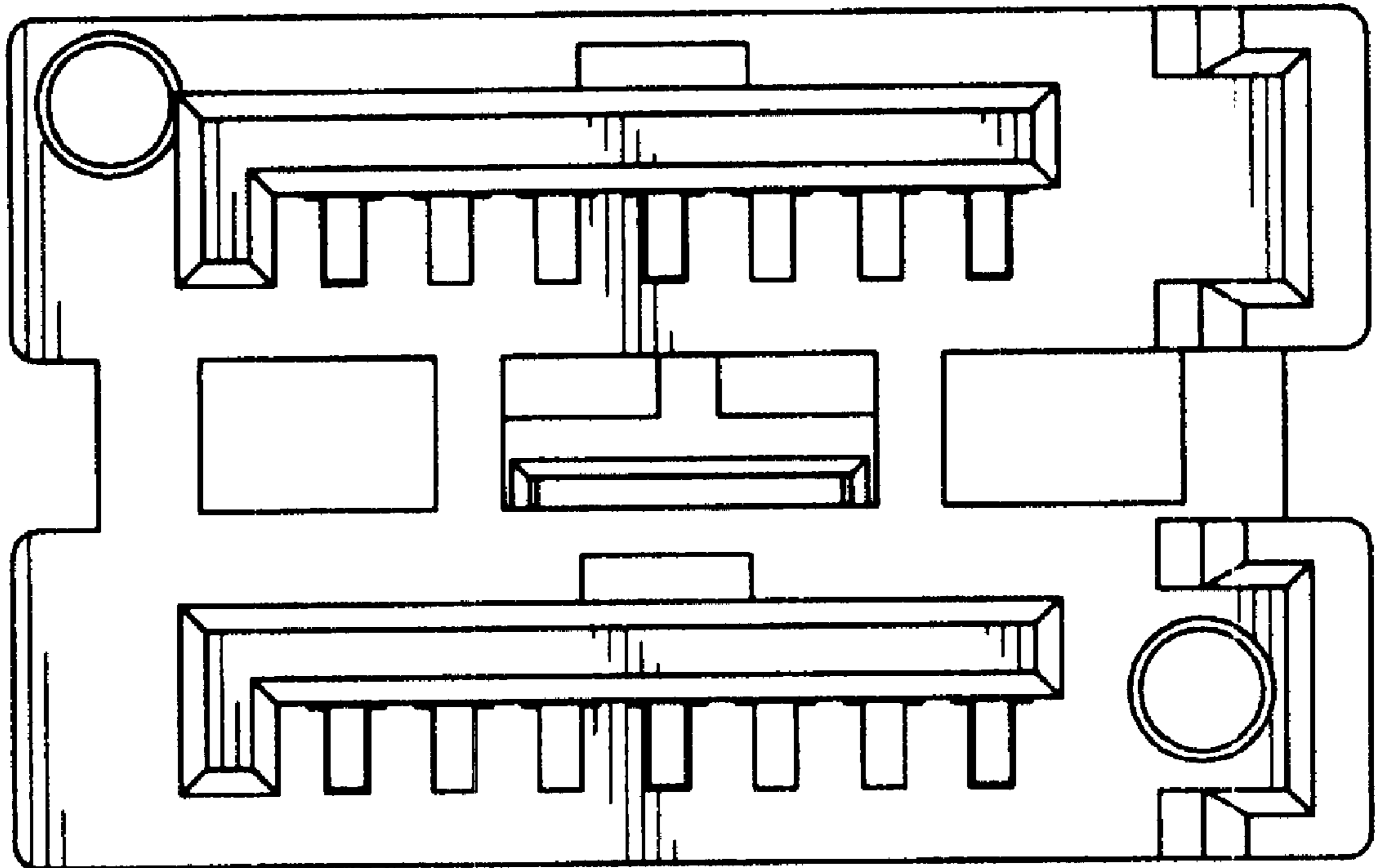


FIG. 6

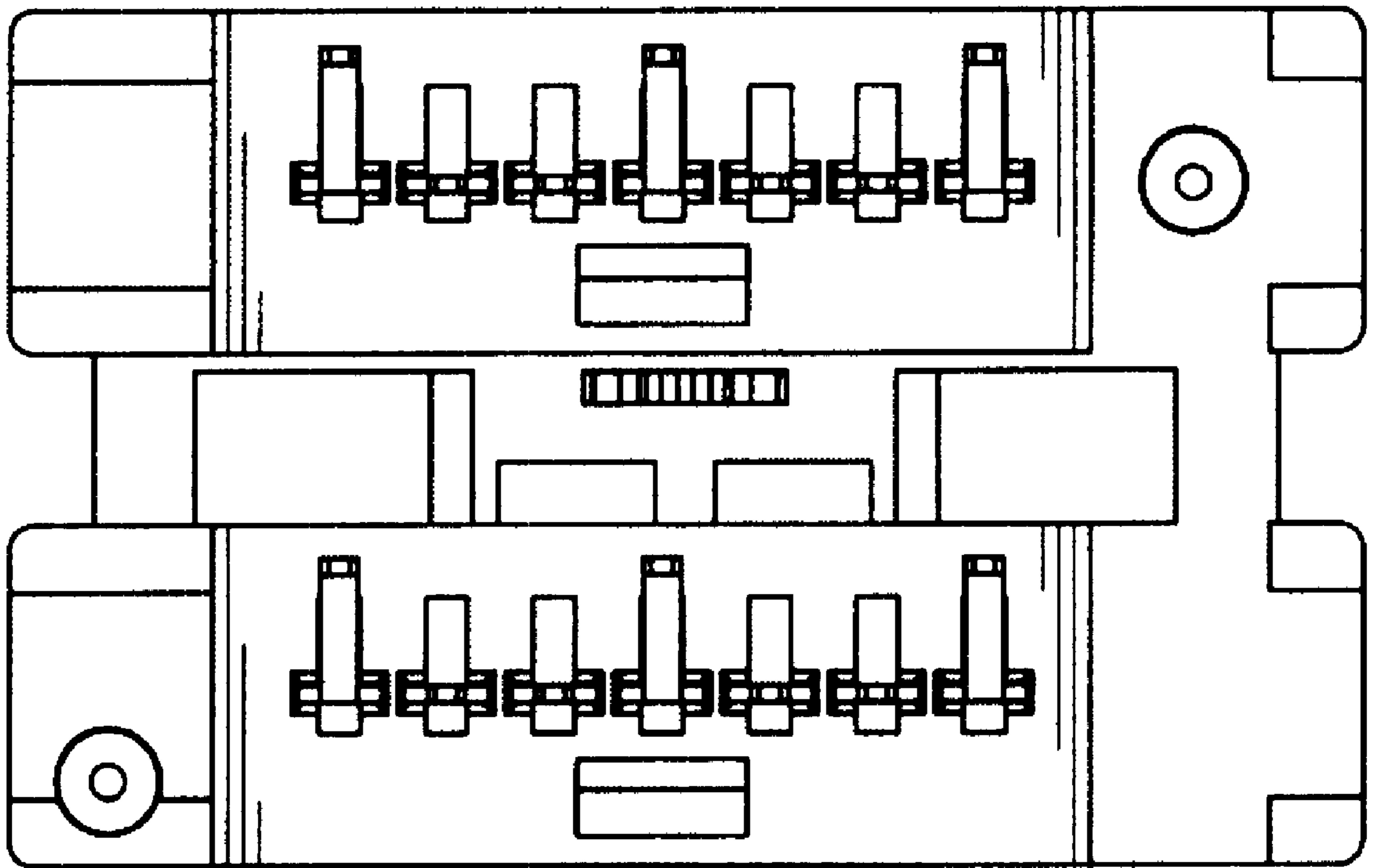


FIG. 7