



US00D474153S

(12) **United States Design Patent**
Smalley, Jr. et al.

(10) **Patent No.:** **US D474,153 S**
(45) **Date of Patent:** **** May 6, 2003**

(54) **ELECTRICAL CONNECTOR**

D464,321 S * 10/2002 Chen D13/147

(75) Inventors: **Jared Joseph Smalley, Jr.**, Harrisburg, PA (US); **Eric Juntwait**, Irvine, CA (US)

* cited by examiner

Primary Examiner—Joel Sincavage
(74) *Attorney, Agent, or Firm*—Wei Te Chung

(73) Assignee: **Hon Hai Precision Ind. Co., Ltd.**, Taipei Hsien (TW)

(57) **CLAIM**

The ornamental design for an electrical connector, as shown.

(**) Term: **14 Years**

DESCRIPTION

(21) Appl. No.: **29/153,802**

FIG. 1 is a front, top and right side perspective view of an electrical connector showing our new design according to a first embodiment;

(22) Filed: **Oct. 29, 2001**

FIG. 2 is a front elevational view thereof;

(51) **LOC (7) Cl.** **13-03**

FIG. 3 is a rear elevational view thereof;

(52) **U.S. Cl.** **D13/147**

FIG. 4 is a left side elevational view thereof;

(58) **Field of Search** D13/147; 439/78, 439/82, 567, 571

FIG. 5 is a right side elevational view thereof;

FIG. 6 is a top plan view thereof;

FIG. 7 is a bottom plan view thereof;

(56) **References Cited**

U.S. PATENT DOCUMENTS

3,530,426	A	*	9/1970	Snyder	D13/147	X
D229,940	S	*	1/1974	Kawasaki	D13/147	
4,435,031	A	*	3/1984	Black et al.	439/82	
4,553,801	A	*	11/1985	Zajeski	439/751	X
4,655,522	A	*	4/1987	Beck, Jr. et al.	439/224	
5,622,508	A	*	4/1997	Nagahata et al.	439/79	
5,921,788	A	*	7/1999	Wilson et al.	439/78	
D439,884	S	*	4/2001	Ushio	D13/147	
6,371,802	B1	*	4/2002	Smalley, Jr. et al.	439/567	
6,409,533	B1	*	6/2002	Savage, Jr.	439/358	

FIG. 8 is a front, top and right side perspective view of an electrical connector showing our new design according to a second embodiment;

FIG. 9 is a front elevational view thereof;

FIG. 10 is a rear elevational view thereof;

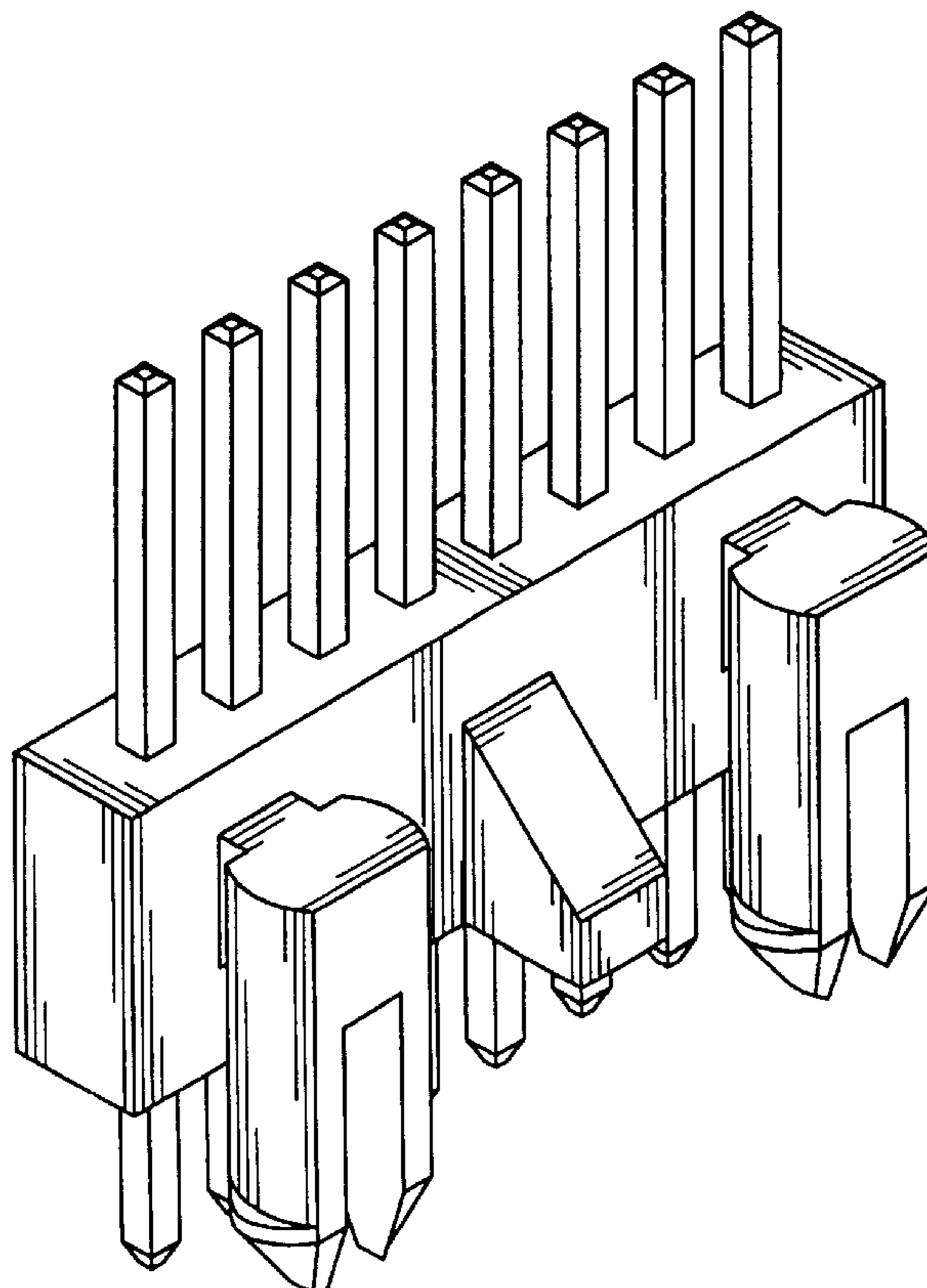
FIG. 11 is a left side elevational view thereof;

FIG. 12 is a right side elevational view thereof;

FIG. 13 is a top plan view thereof; and,

FIG. 14 is a bottom plan view thereof.

1 Claim, 10 Drawing Sheets



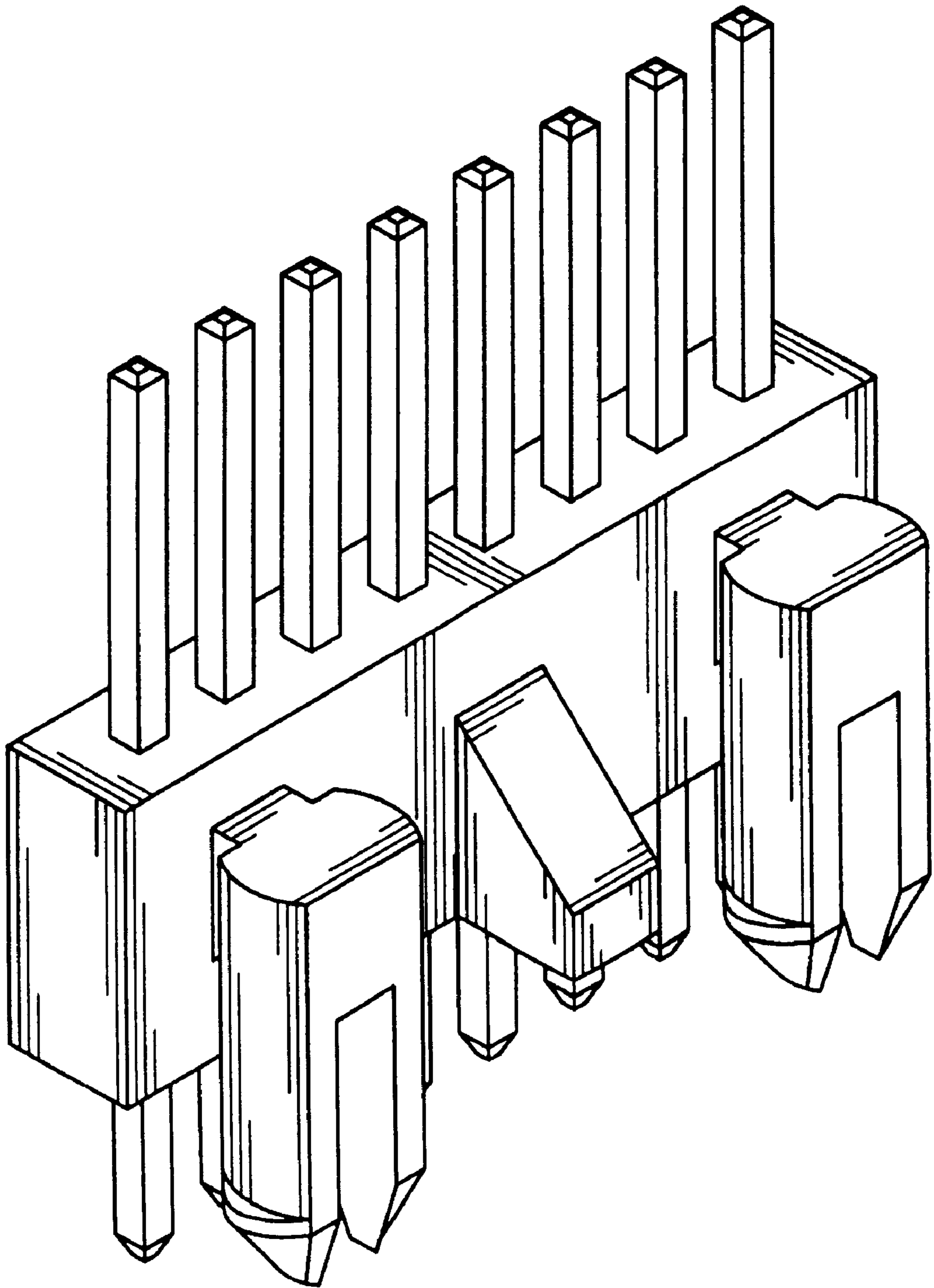


FIG. 1

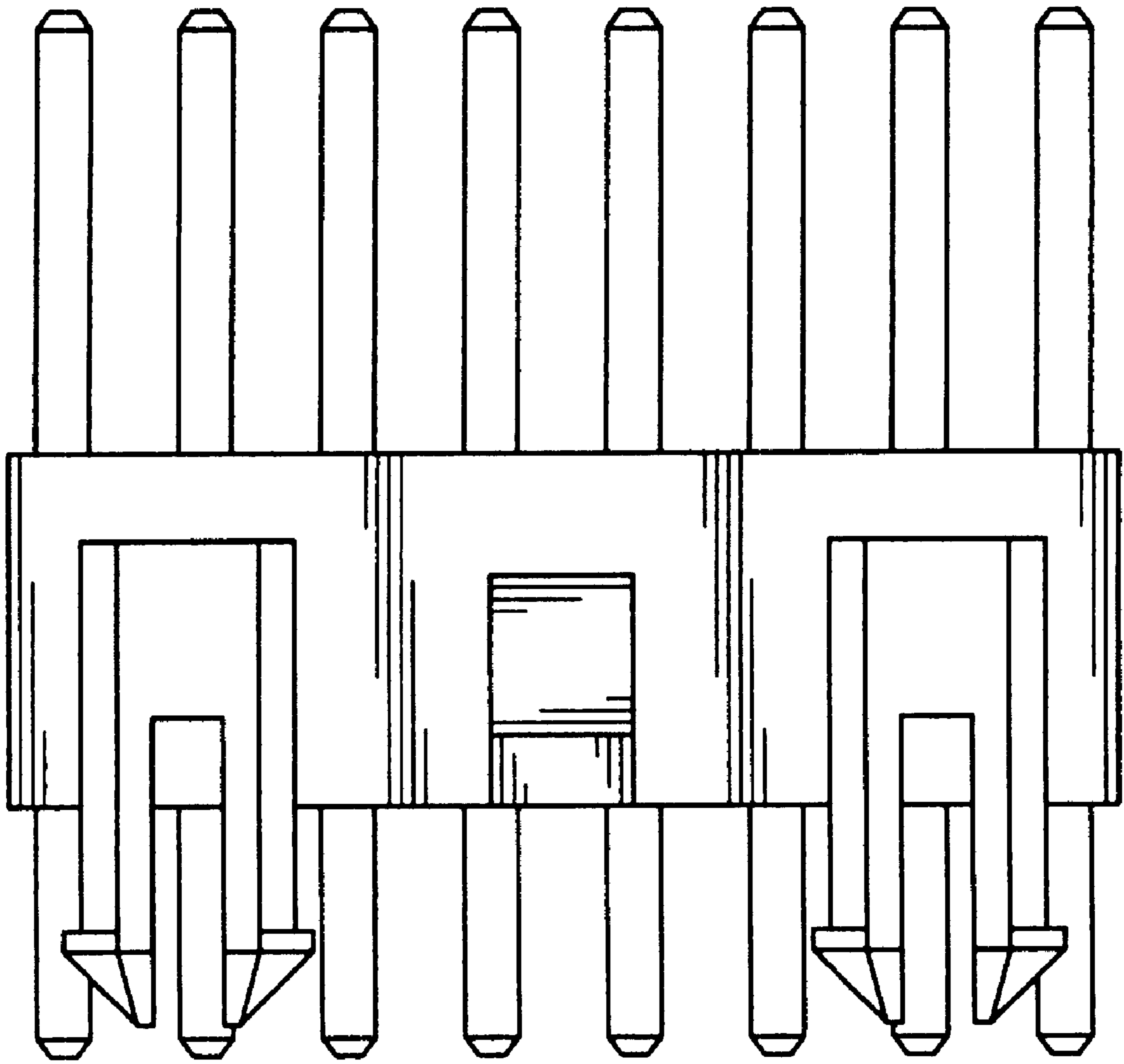


FIG. 2

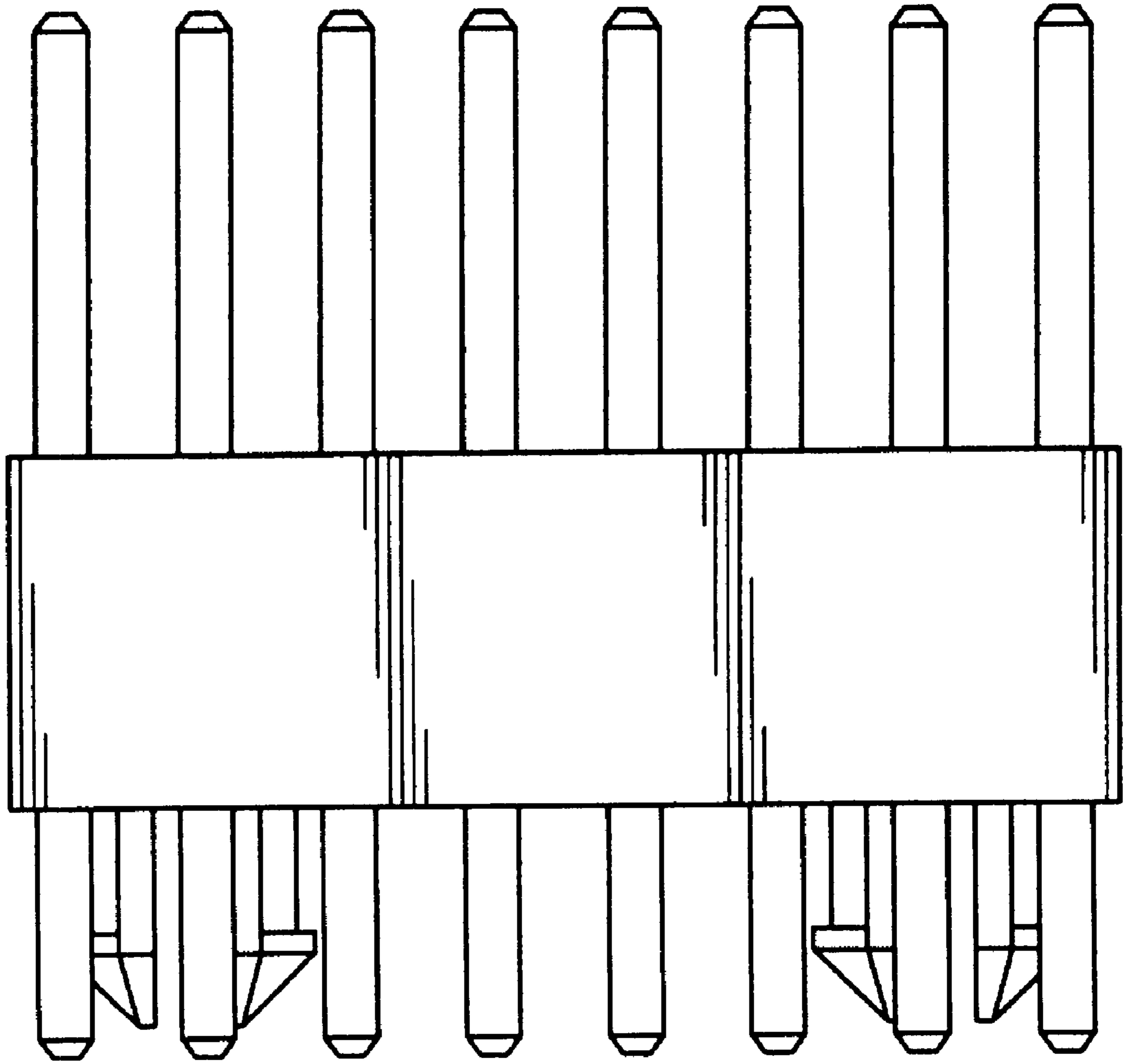


FIG. 3

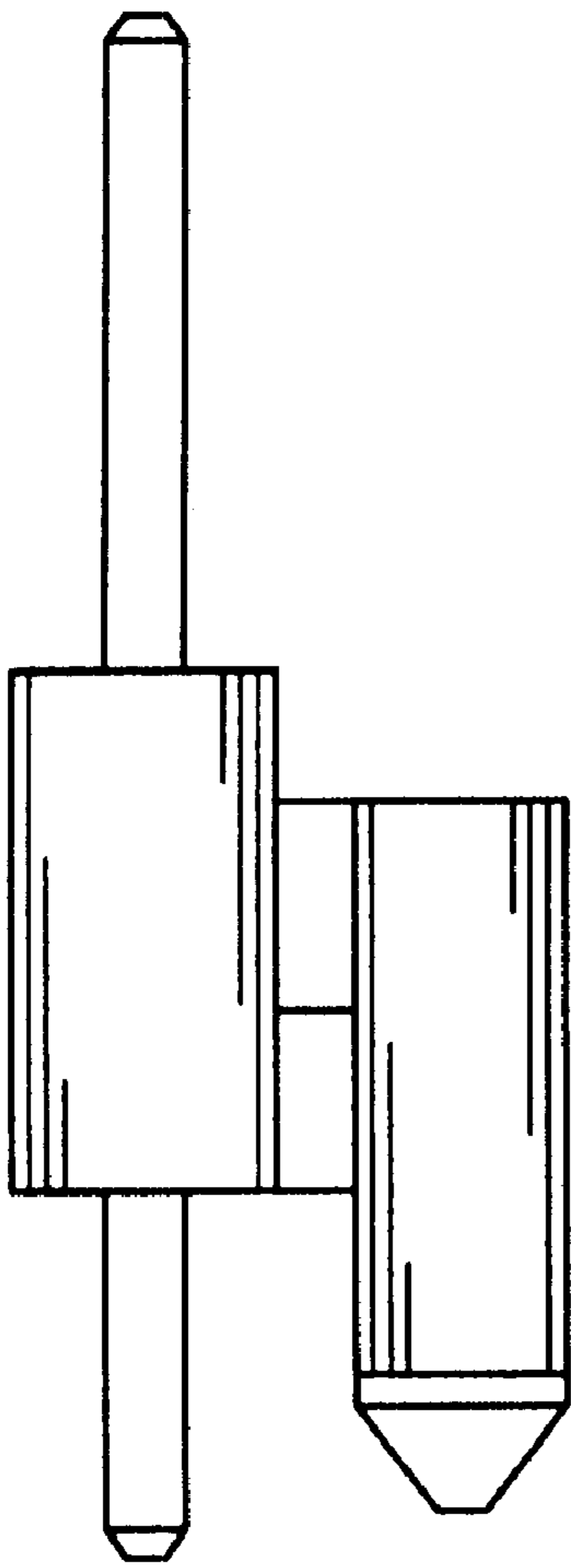


FIG. 4

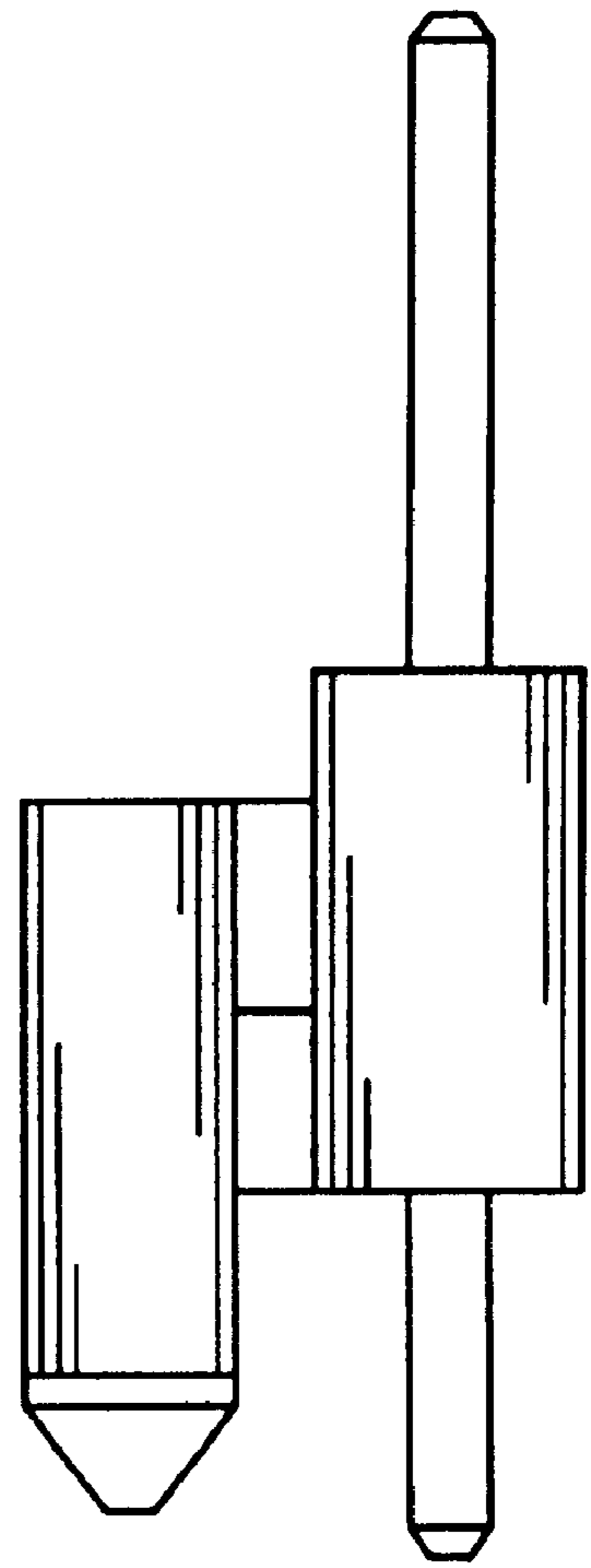


FIG. 5

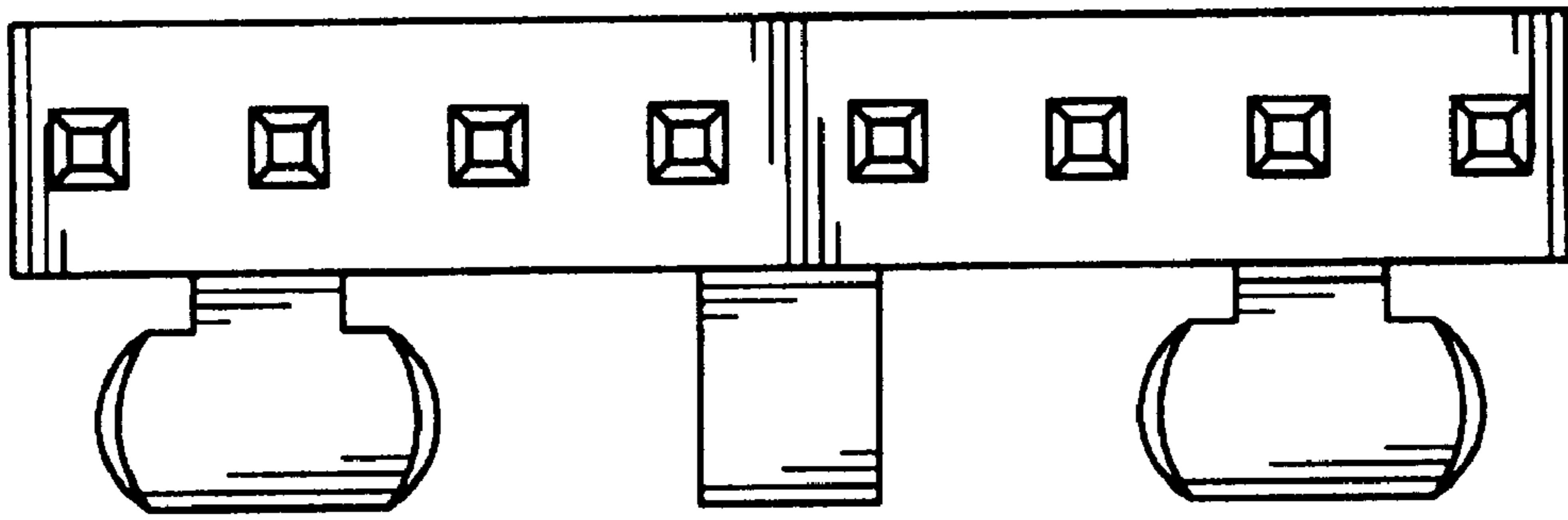


FIG. 6

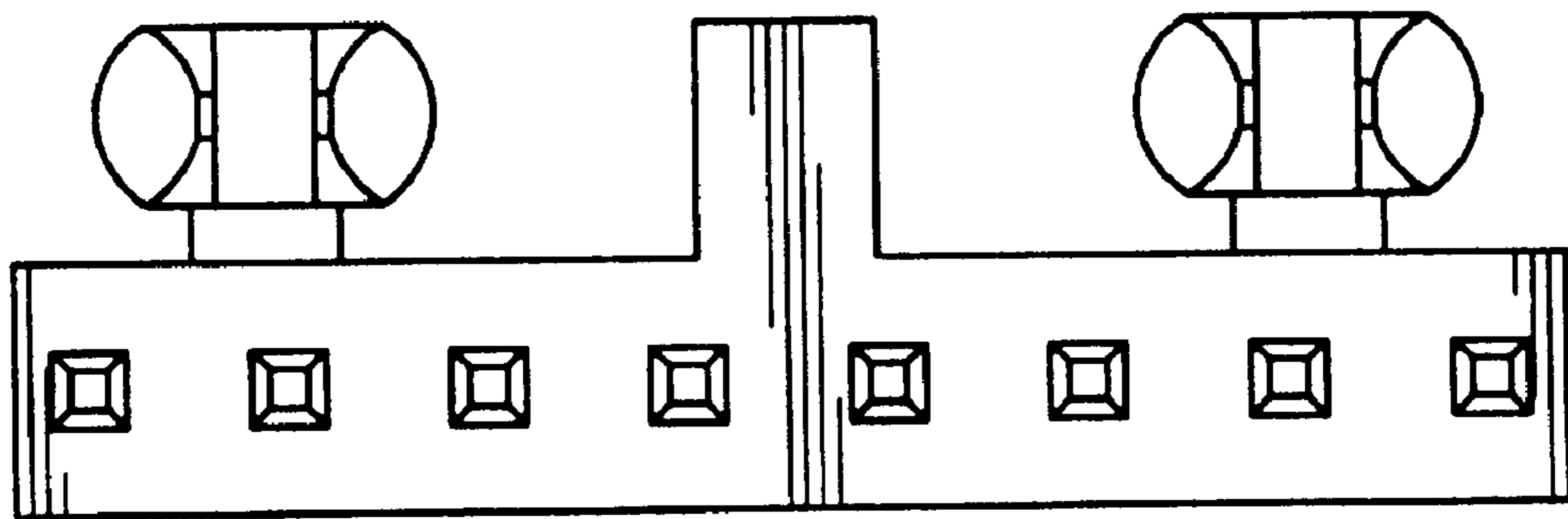


FIG. 7

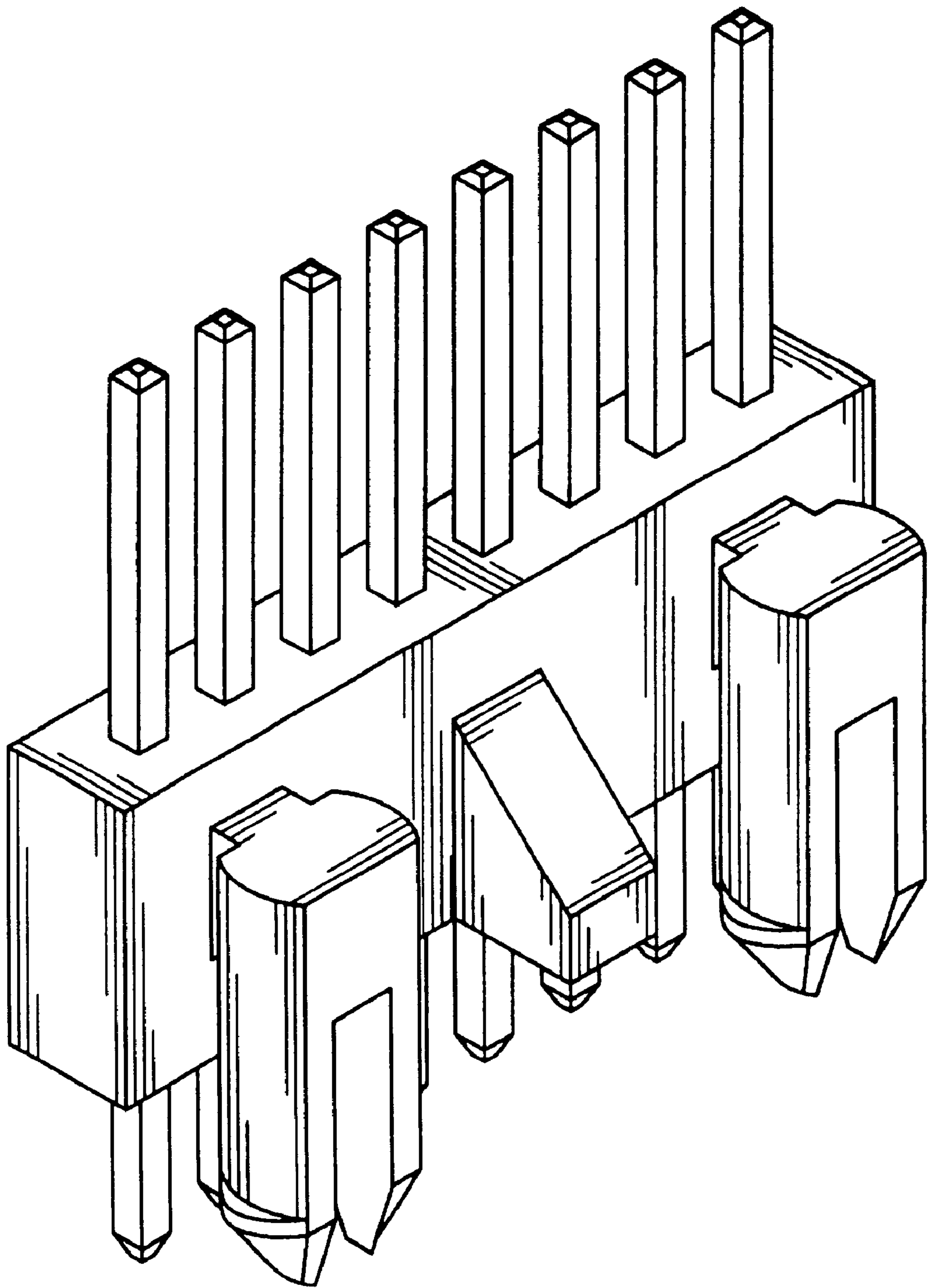


FIG. 8

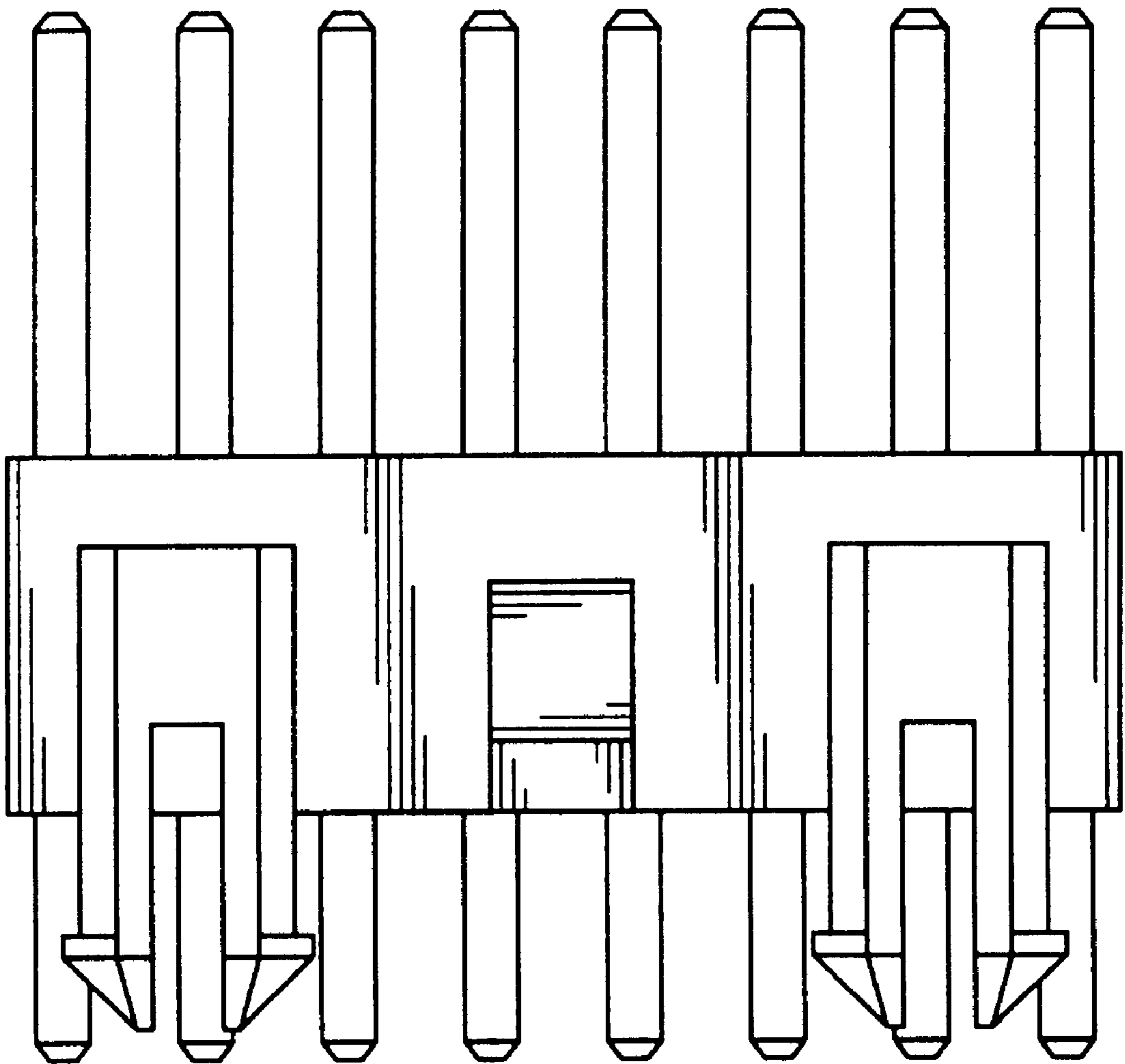


FIG. 9

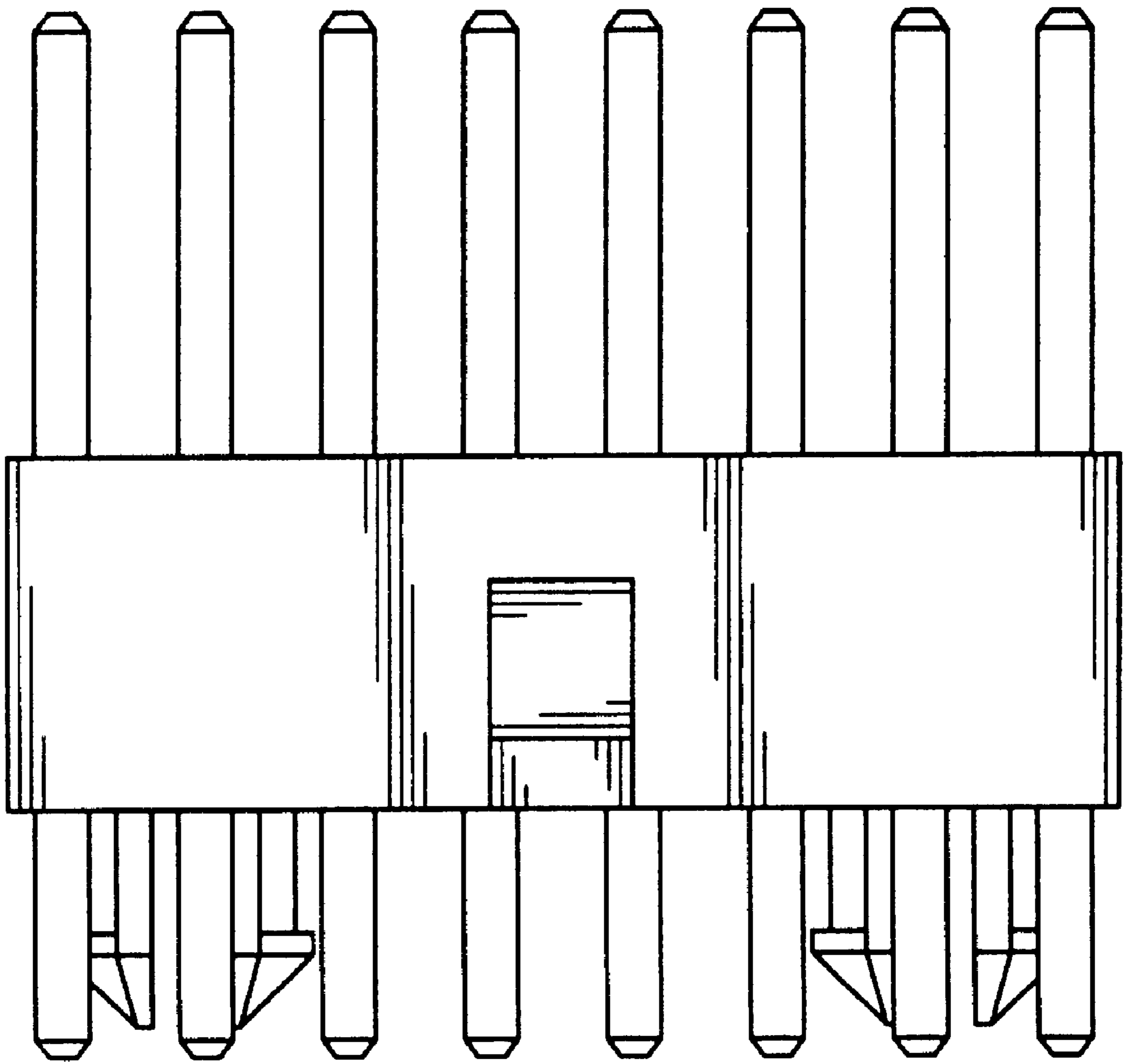


FIG. 10

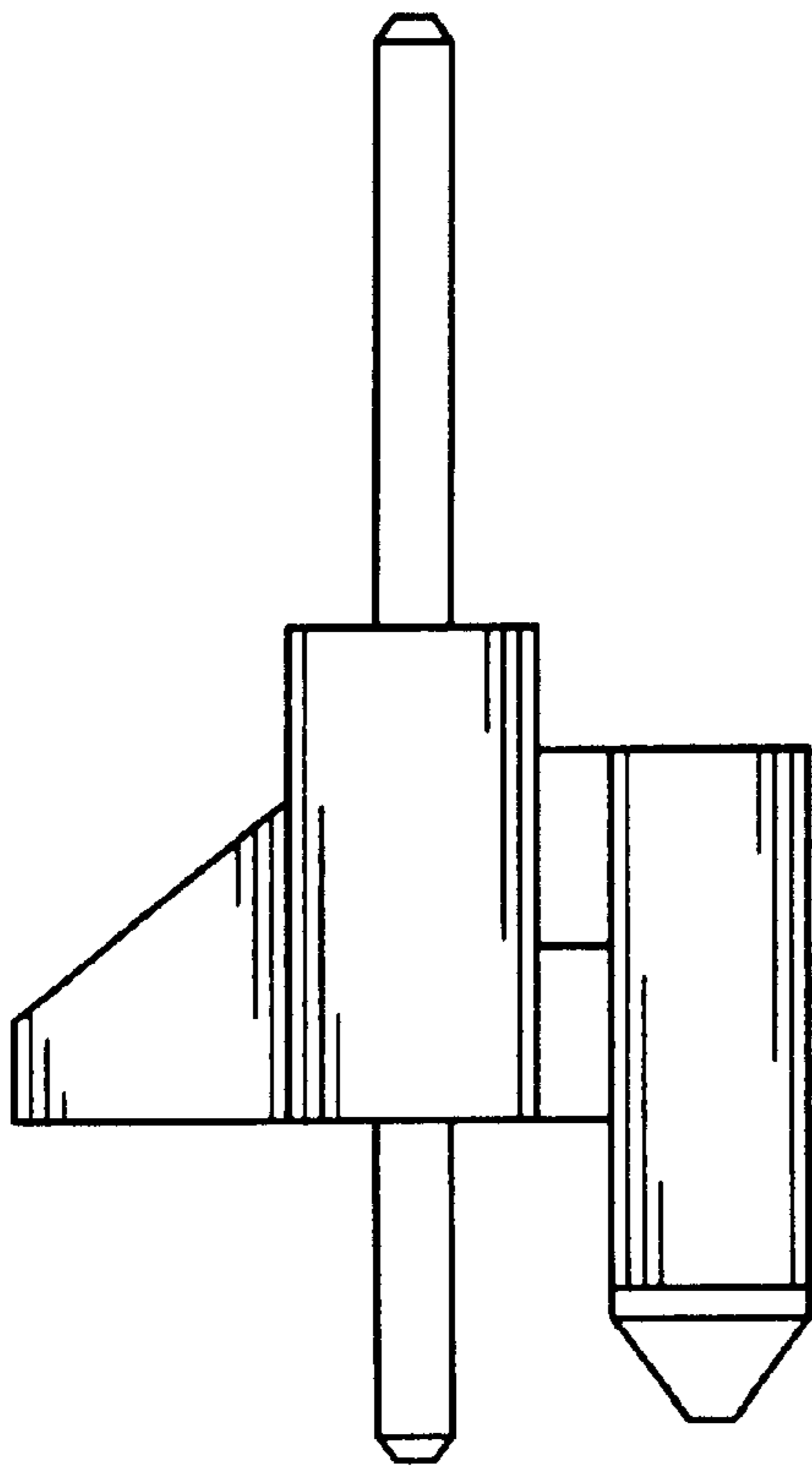


FIG. 11

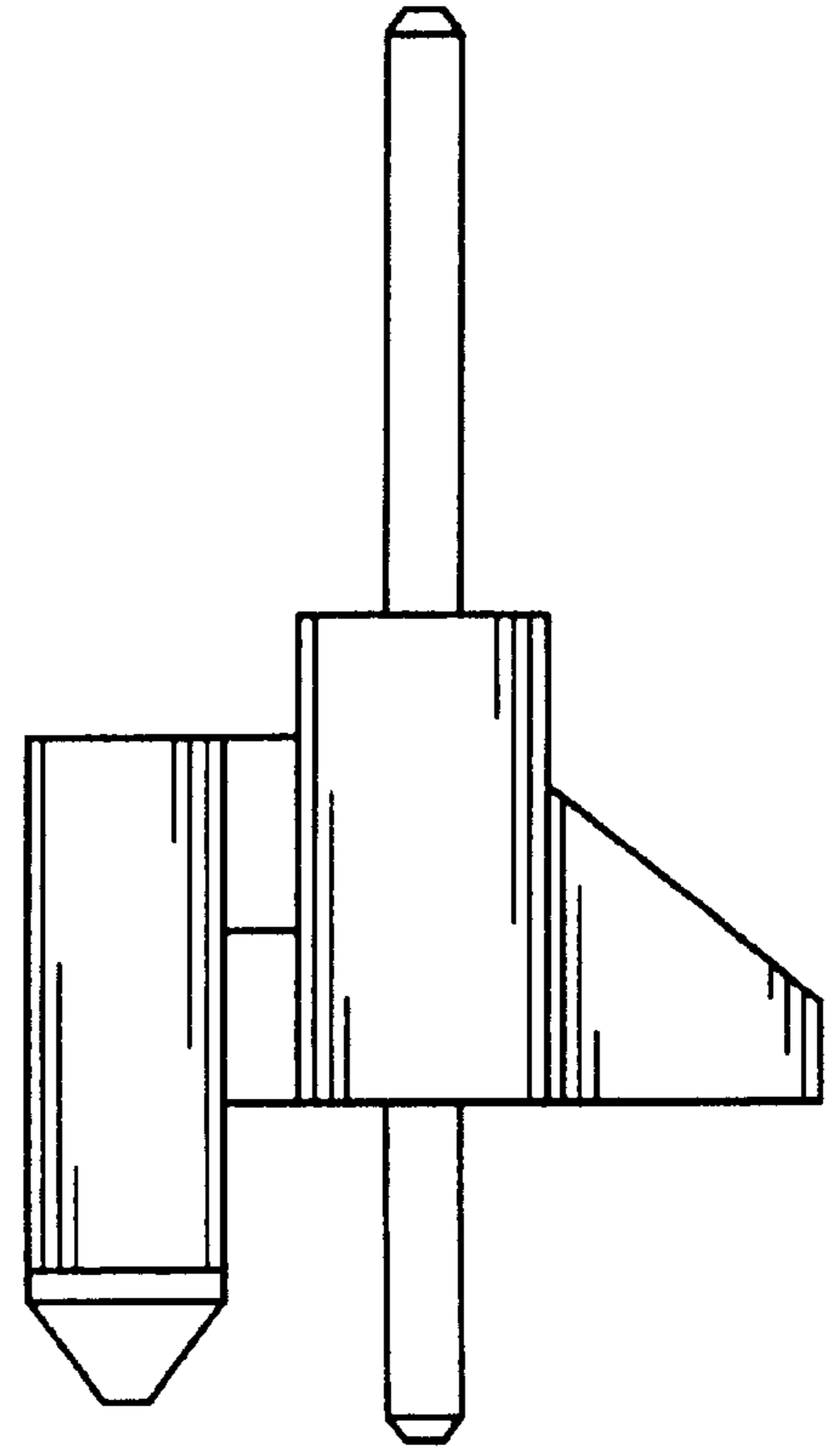


FIG. 12

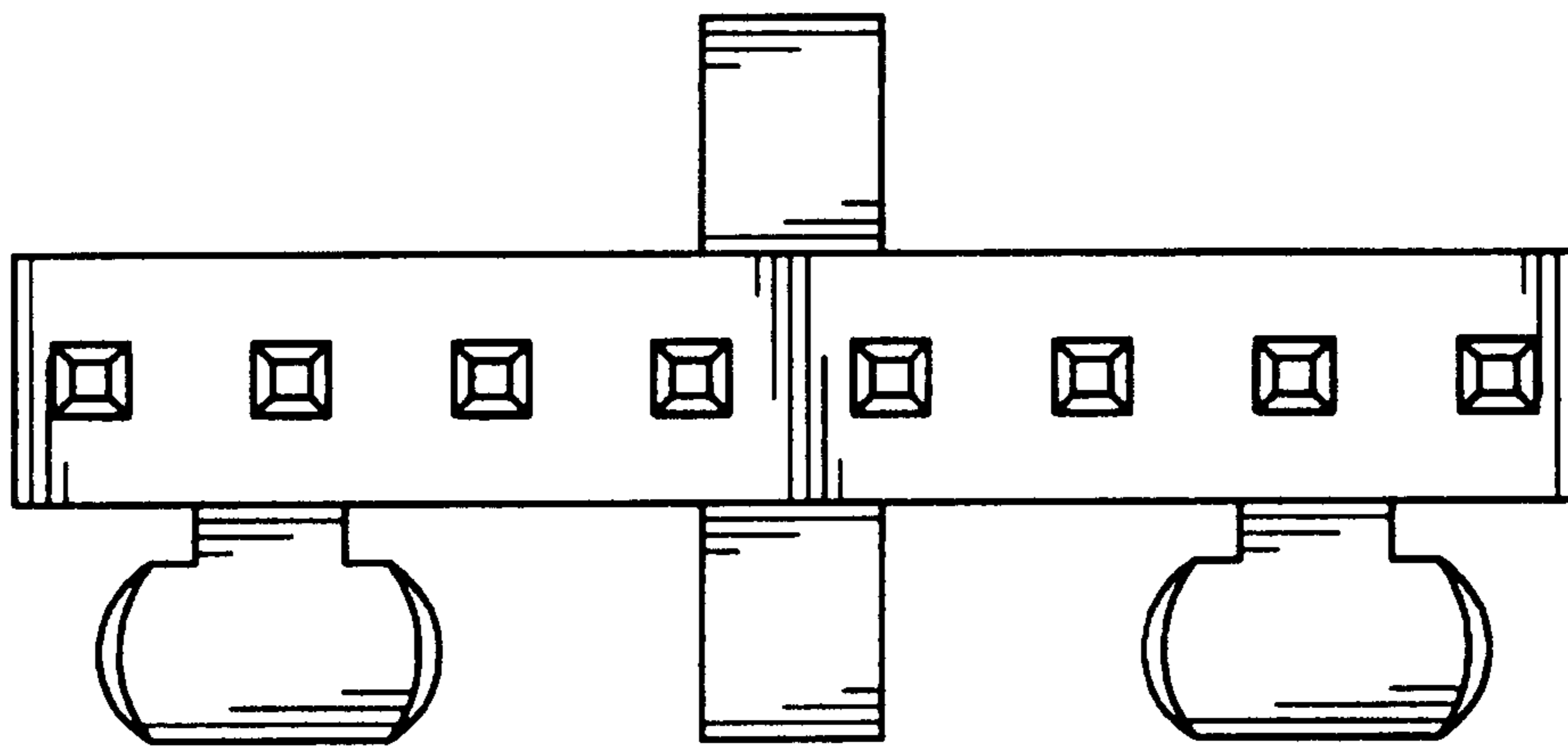


FIG. 13

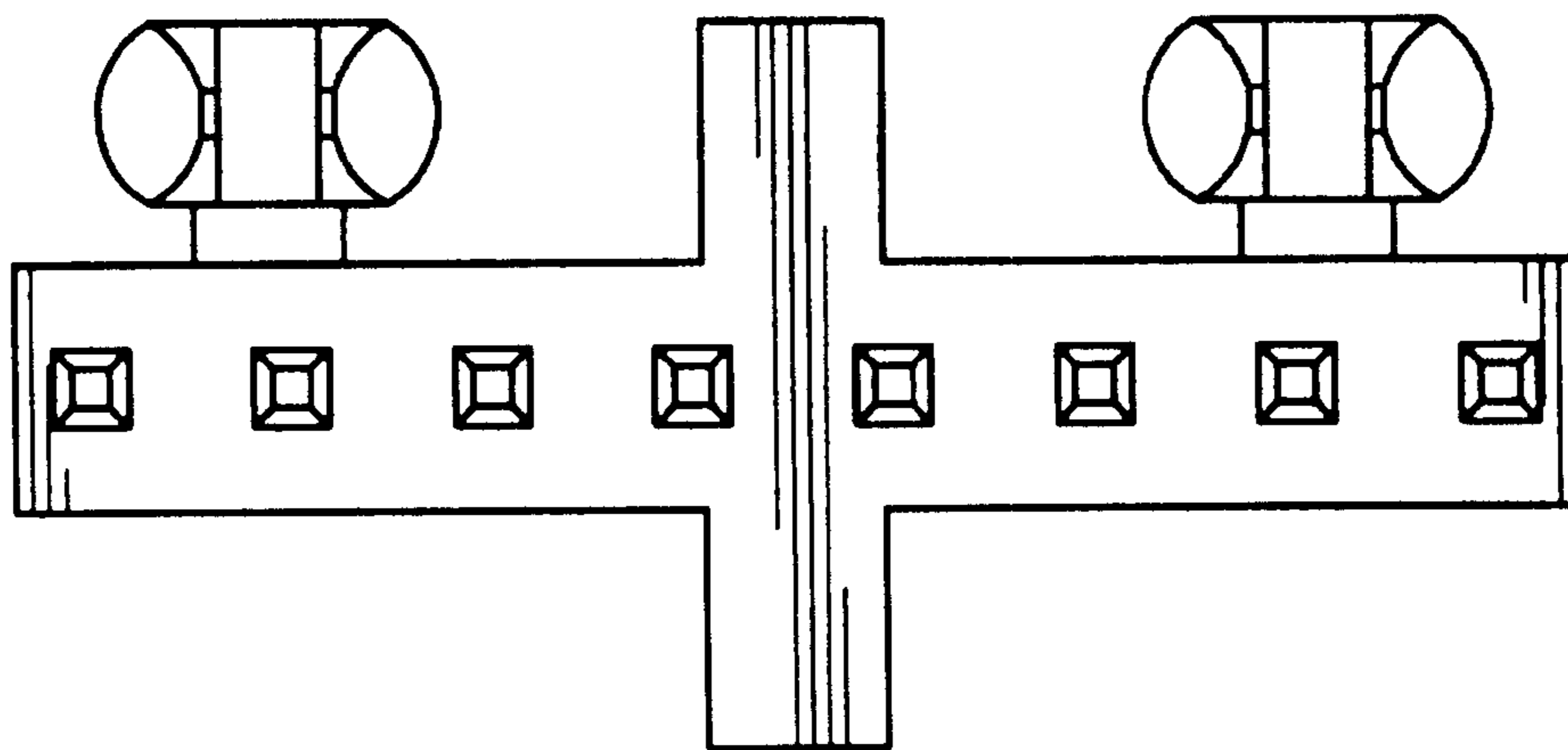


FIG. 14