



US00D474152S

(12) **United States Design Patent**  
**Burdick**

(10) **Patent No.:** **US D474,152 S**

(45) **Date of Patent:** **\*\* May 6, 2003**

(54) **ELECTRIC FENCE INSULATOR**  
(75) Inventor: **Brett R. Burdick**, Knoxville, TN (US)  
(73) Assignee: **Fi-Shock, Inc.**, Knoxville, TN (US)  
(\*\*) Term: **14 Years**

5,085,409 A 2/1992 Teixeira  
5,313,757 A 5/1994 Schnepf  
5,568,708 A 10/1996 Kassardjian et al.  
5,731,895 A 3/1998 Owczarzak et al.  
5,943,836 A 8/1999 Kassardjian  
5,946,871 A 9/1999 Kassardjian et al.

\* cited by examiner

(21) Appl. No.: **29/156,336**  
(22) Filed: **Feb. 27, 2002**

*Primary Examiner*—Lisa Lichtenstein  
(74) *Attorney, Agent, or Firm*—Luedeka Neely & Graham PC

(51) **LOC (7) Cl.** ..... **13-02**  
(52) **U.S. Cl.** ..... **D13/132**  
(58) **Field of Search** ..... D13/132; 174/158 F,  
174/161 F; 256/10, DIG. 3

(57) **CLAIM**

The ornamental design for an electric fence insulator, as shown.

(56) **References Cited**

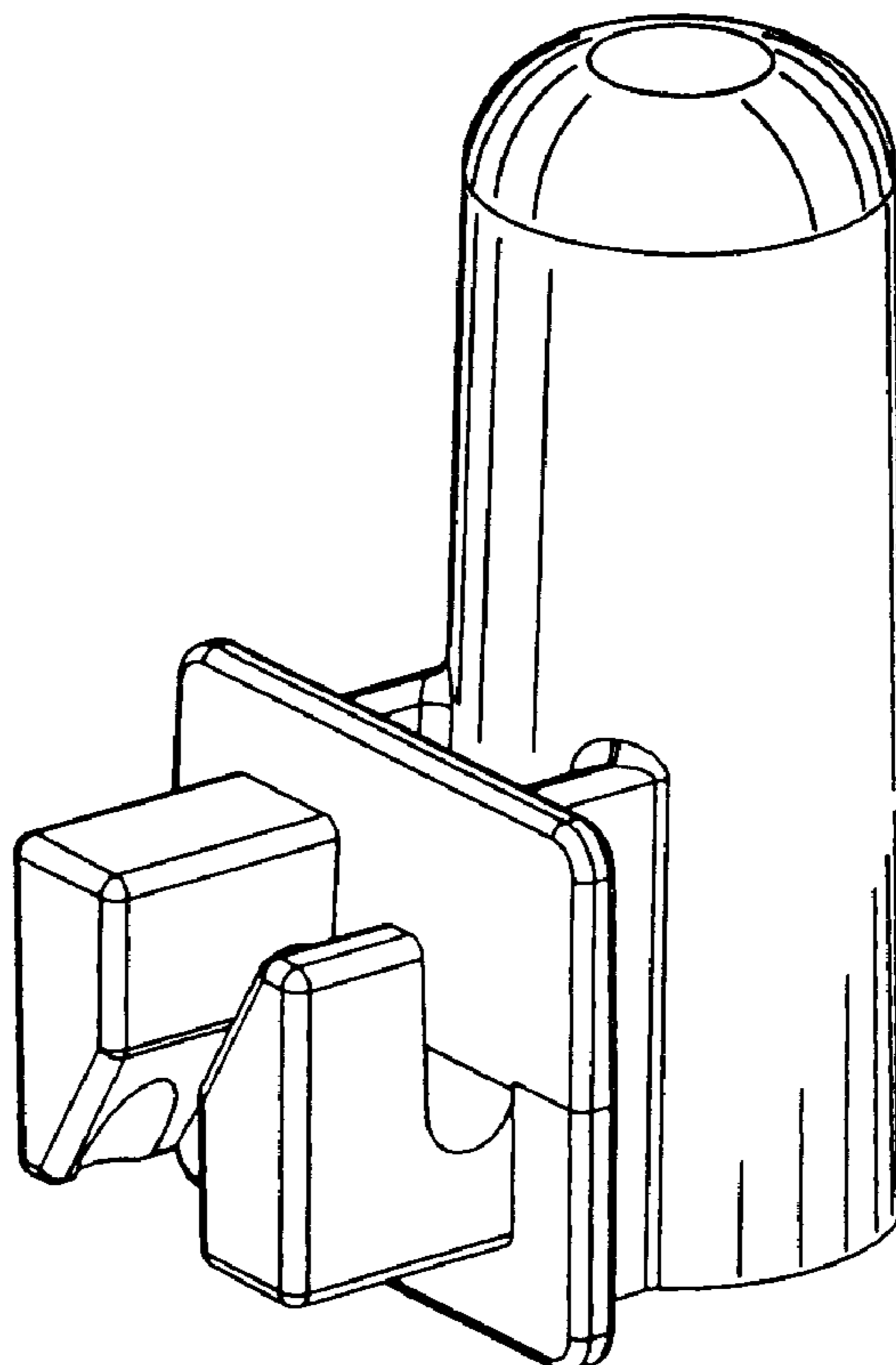
**DESCRIPTION**

**U.S. PATENT DOCUMENTS**

2,756,969 A 7/1956 Meinen  
3,562,407 A 2/1971 Beebe  
4,049,905 A 9/1977 Maranell  
4,077,611 A 3/1978 Wilson  
4,202,378 A 5/1980 Bush et al.  
4,520,231 A 5/1985 Hubbell  
4,623,756 A 11/1986 Wilson, Jr.  
4,680,428 A 7/1987 Wilson, Jr.  
4,771,137 A \* 9/1988 Thompson ..... 174/163 F  
4,833,850 A 5/1989 Lunn  
4,853,492 A 8/1989 Hussey

FIG. 1 is a front perspective view of the insulator of my new design;  
FIG. 2 is a bottom perspective view of the insulator of my new design;  
FIG. 3 is a left side view of the insulator of my new design;  
FIG. 4 is a right side view of the insulator of my new design;  
FIG. 5 is a front view of the insulator of my new design;  
FIG. 6 is a rear view of the insulator of my new design;  
FIG. 7 is a top view of the insulator of my new design; and,  
FIG. 8 is a bottom view of the insulator of my new design.

**1 Claim, 2 Drawing Sheets**



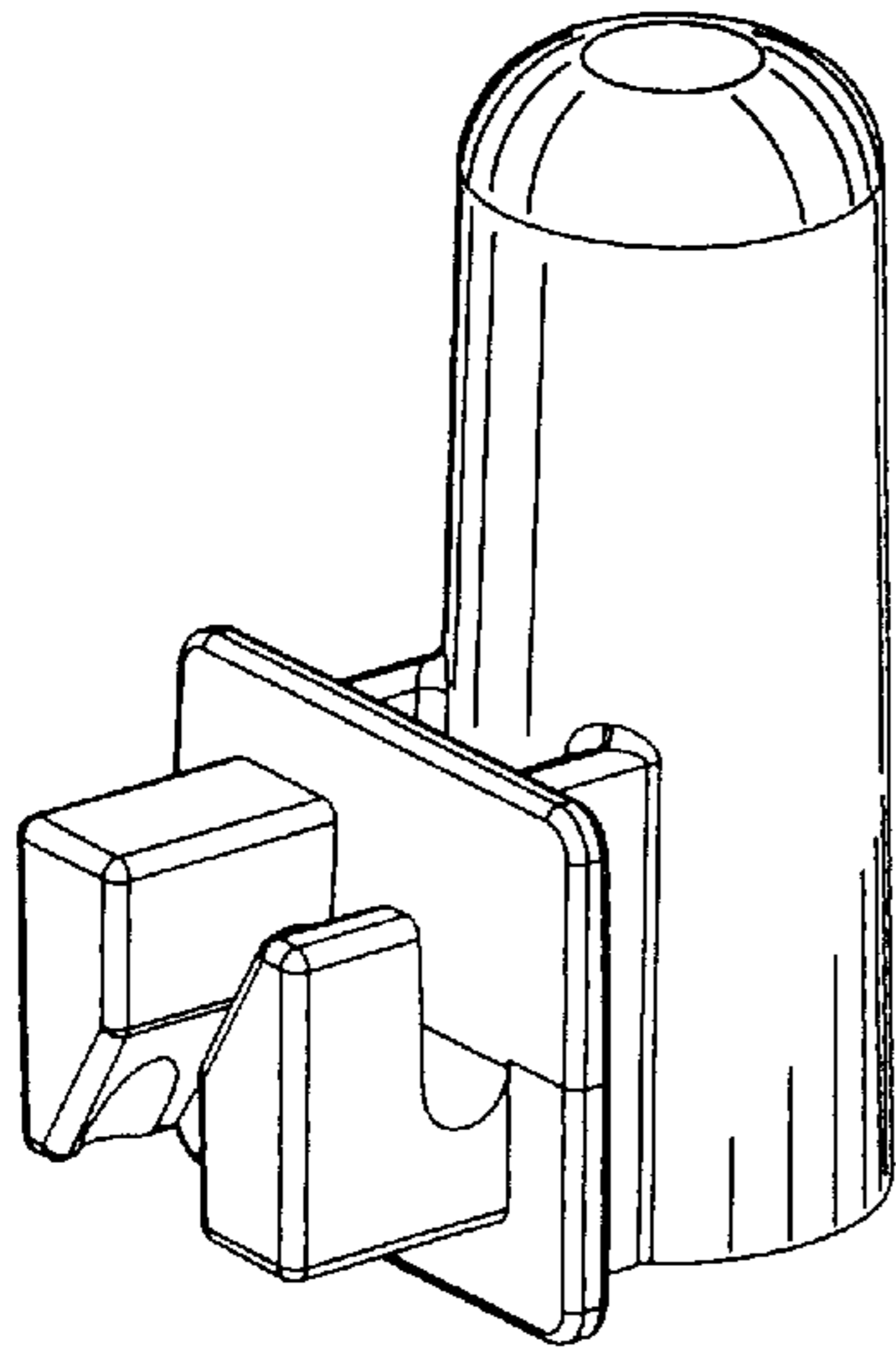


FIG. 1

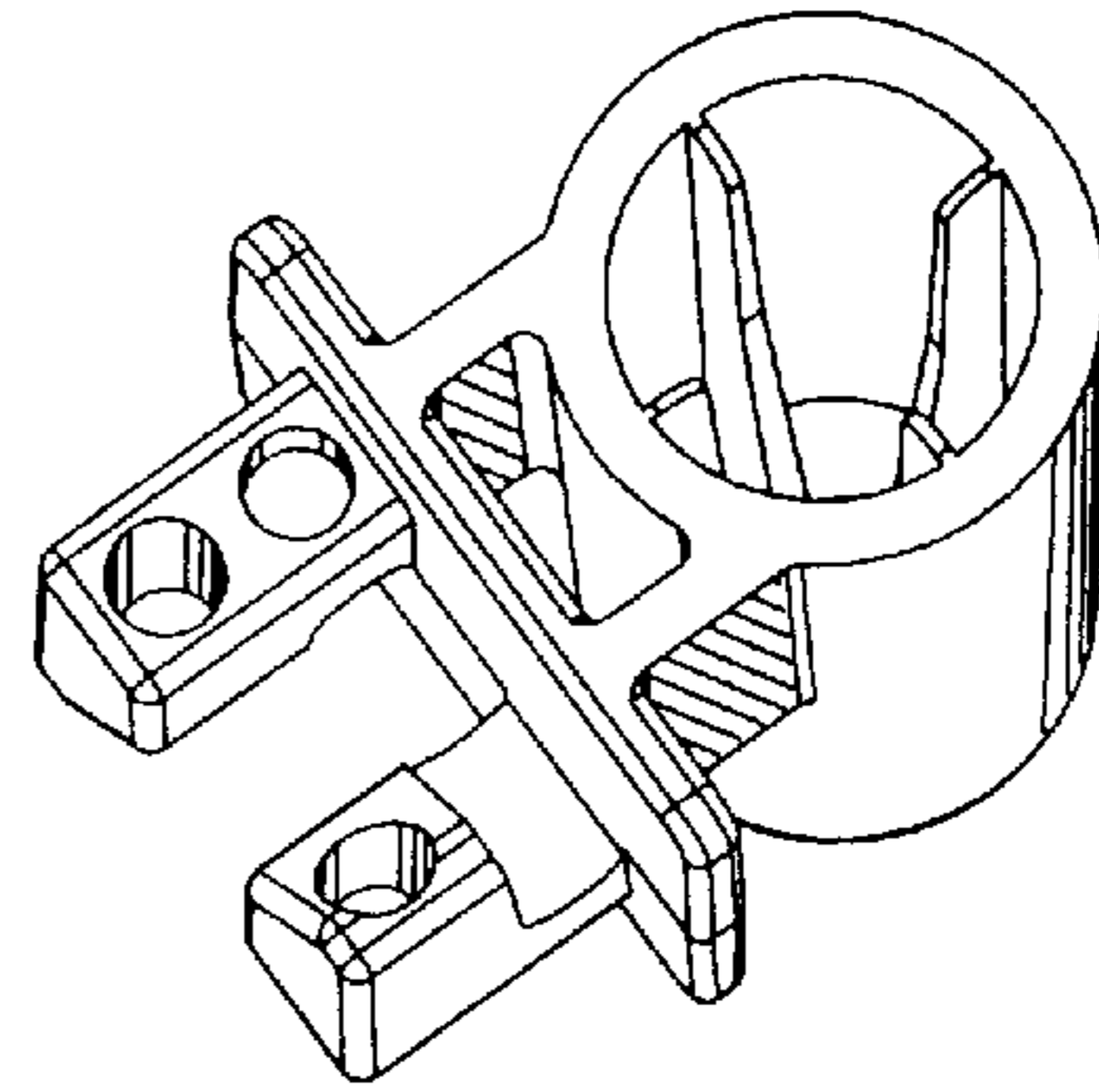


FIG. 2

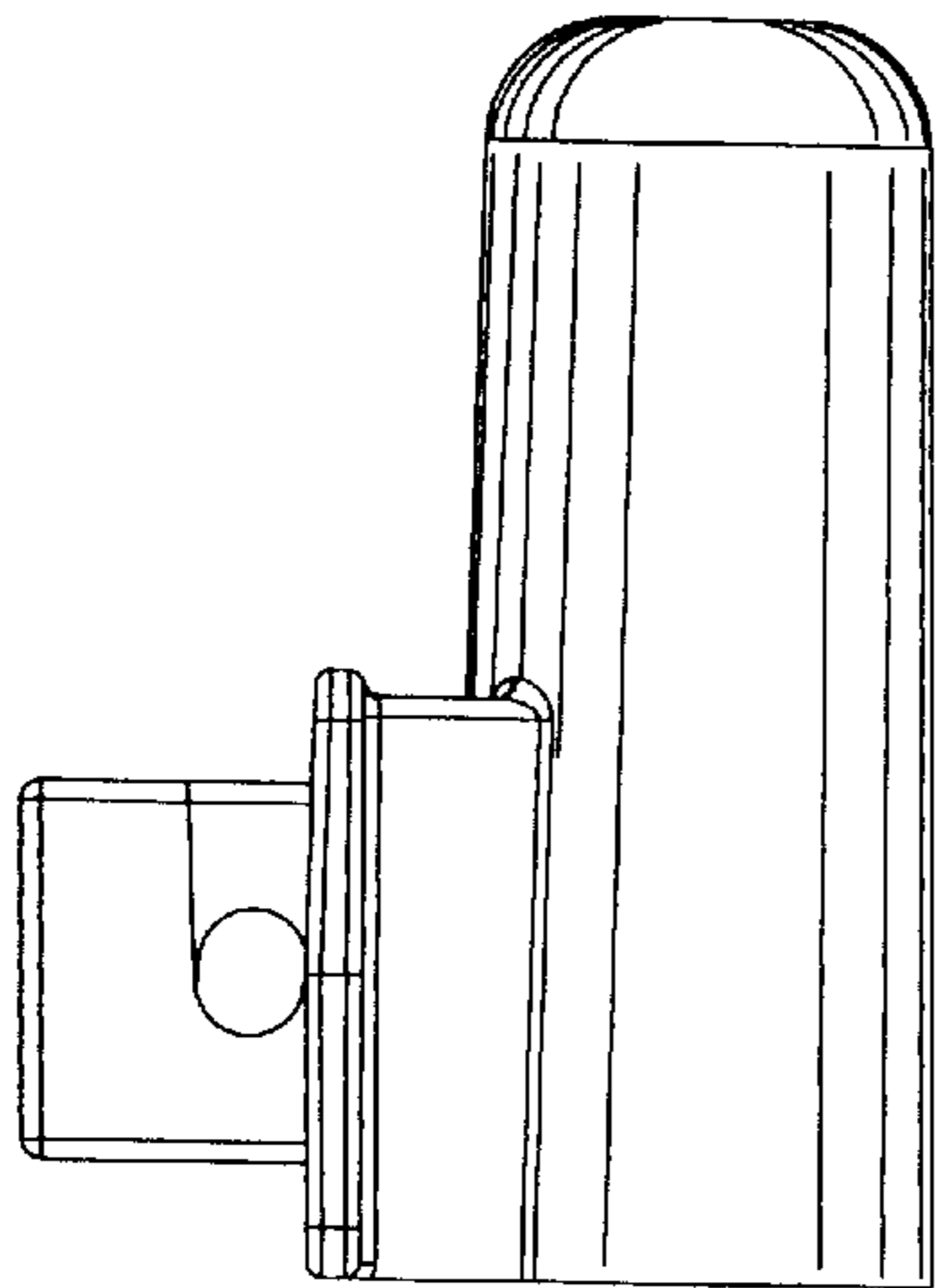


FIG. 3

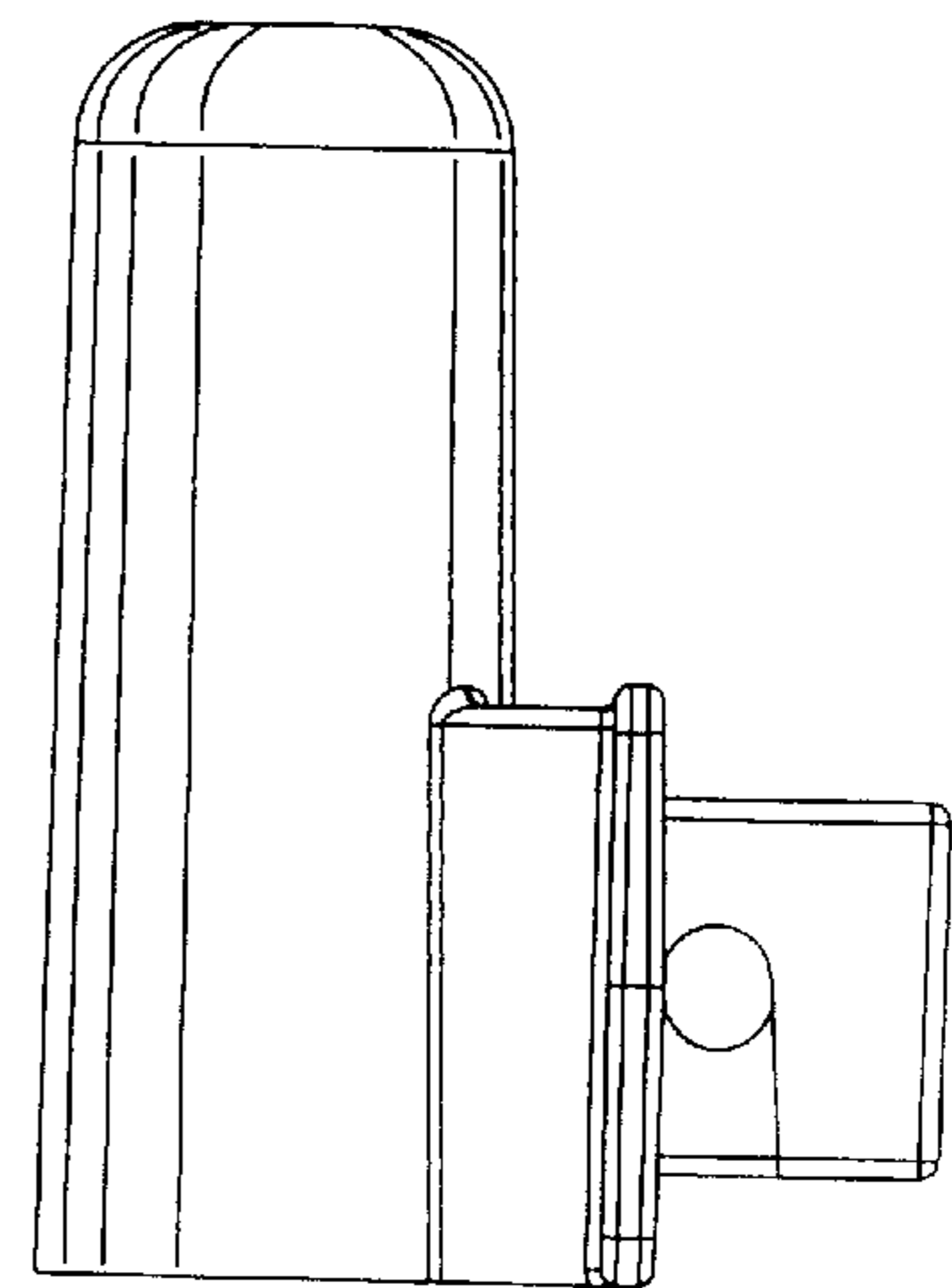


FIG. 4

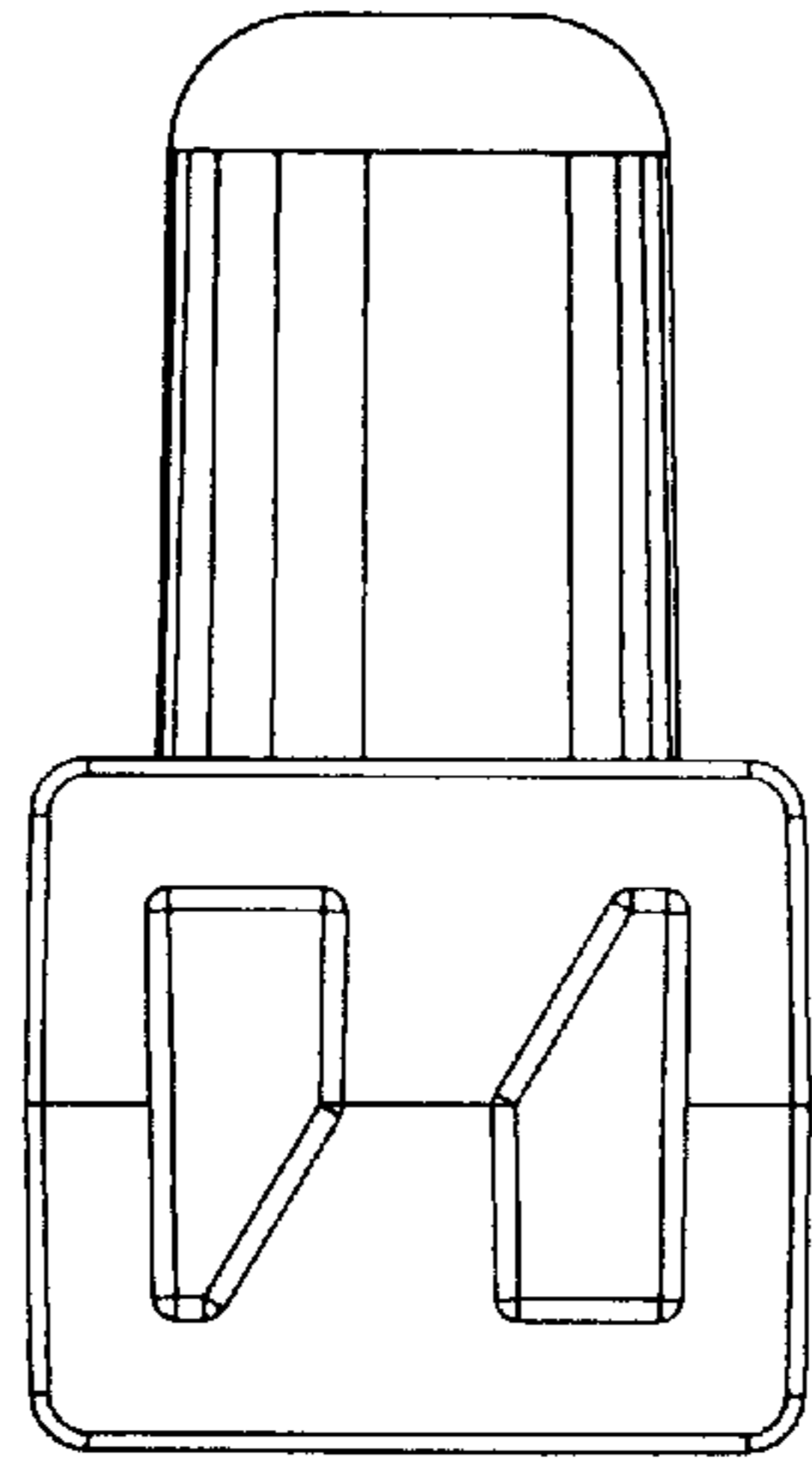


FIG. 5

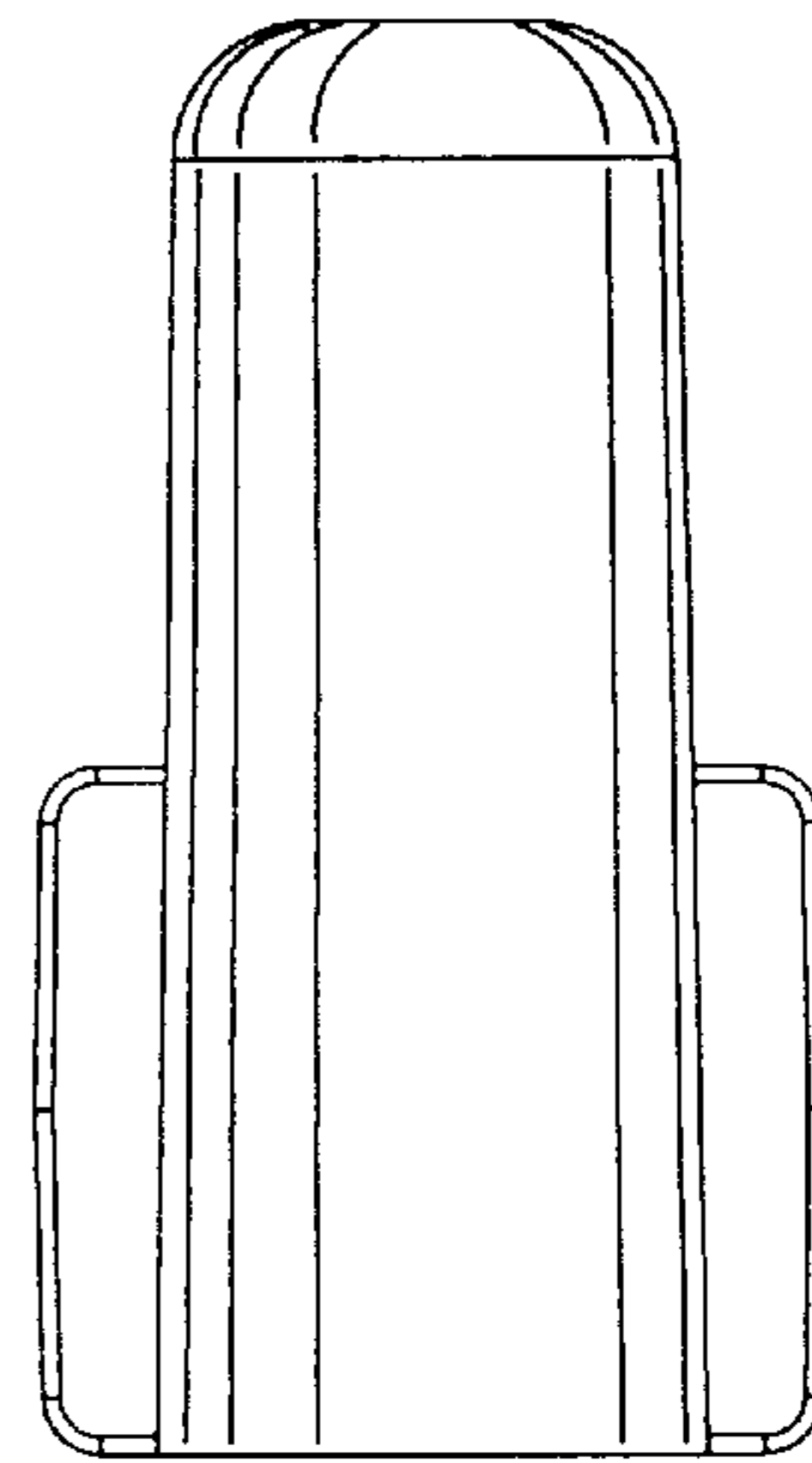


FIG. 6

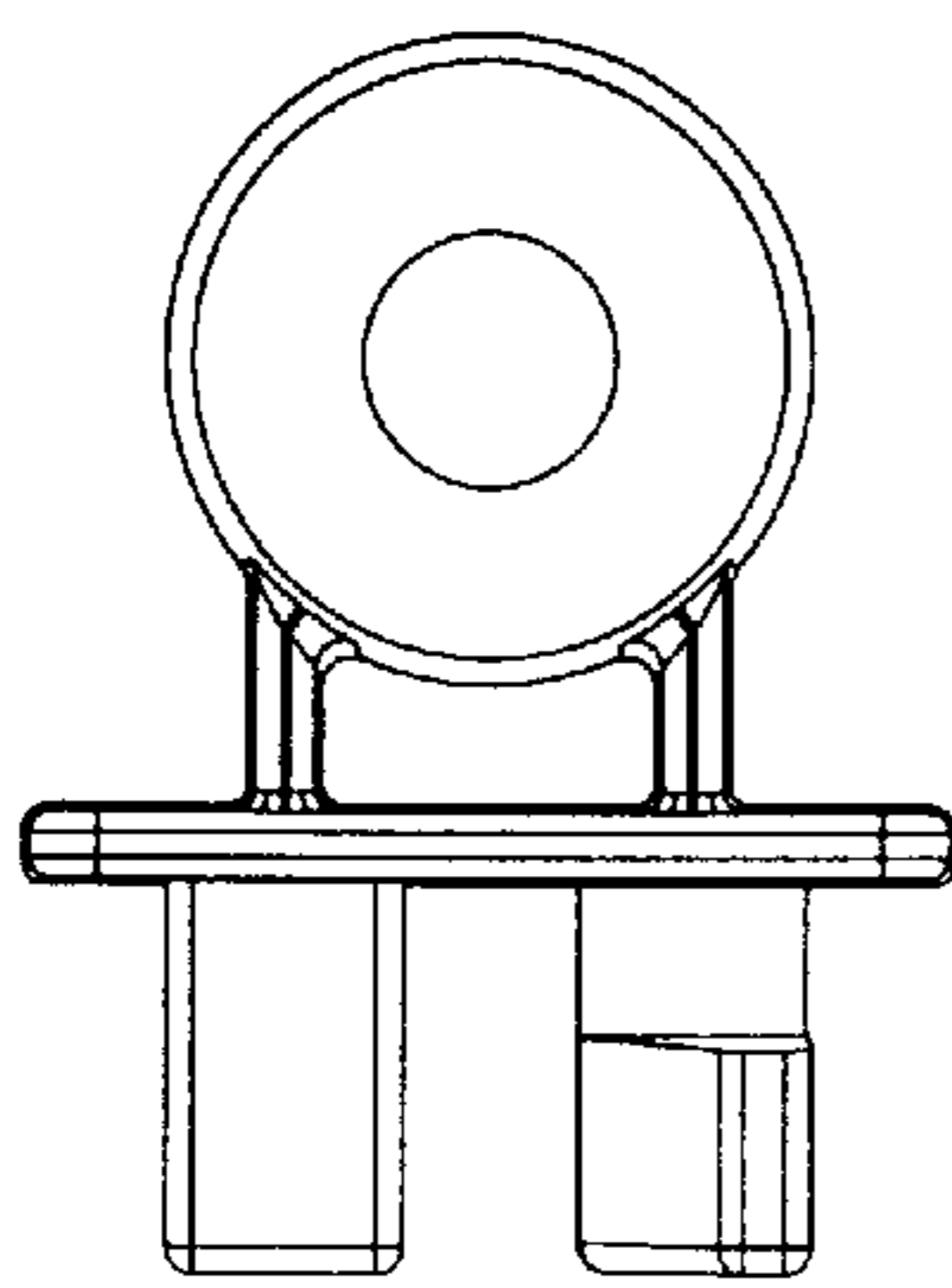


FIG. 7

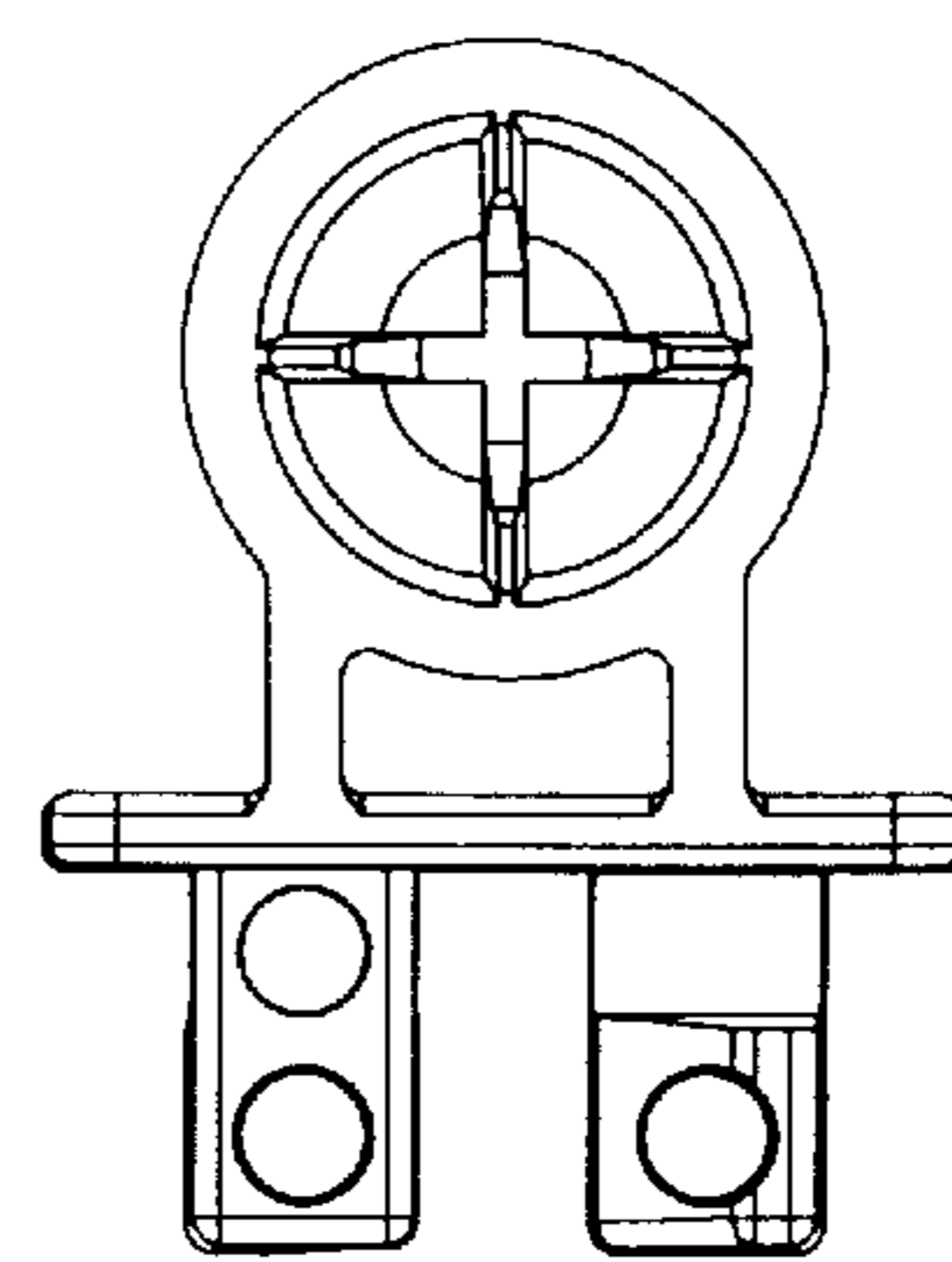


FIG. 8