



US00D474143S

(12) **United States Design Patent**
Ho

(10) **Patent No.:** **US D474,143 S**

(45) **Date of Patent:** **** May 6, 2003**

(54) **WINDSHIELD WIPER FOR VEHICLE**

(76) **Inventor:** **Wen-Chen Ho**, No. 11, Lane 28, Ting Liao I St., Long Yuan Tsun, Pa Li Hsiang, Taipei Hsien (TW)

(**) **Term:** **14 Years**

(21) **Appl. No.:** **29/169,055**

(22) **Filed:** **Oct. 15, 2002**

(51) **LOC (7) Cl.** **12-06**

(52) **U.S. Cl.** **D12/219**

(58) **Field of Search** D12/219, 220;
15/250.31–250.33, 250.315, 250.38, 250.4,
250.41, 250.201, 250.451–250.454

(56) **References Cited**

U.S. PATENT DOCUMENTS

D257,339 S	*	10/1980	Ellinwood	D12/219
D310,193 S	*	8/1990	Charet	D12/219
D328,061 S	*	7/1992	Su	D12/219
D329,034 S	*	9/1992	Charet et al.	D12/219
D330,691 S	*	11/1992	Leu	D12/219
D334,161 S	*	3/1993	Wu et al.	D12/219
D336,739 S	*	6/1993	Wu et al.	D12/219

D340,437 S	*	10/1993	Yang	D12/219
D347,610 S	*	6/1994	Charet et al.	D12/219
D380,434 S	*	7/1997	Chen	D12/219
D414,456 S	*	9/1999	Hussaini et al.	D12/219
D464,600 S	*	10/2002	Chen	D12/219

* cited by examiner

Primary Examiner—Stacia Cadmus

(74) *Attorney, Agent, or Firm*—Browdy and Neimark, P.L.L.C.

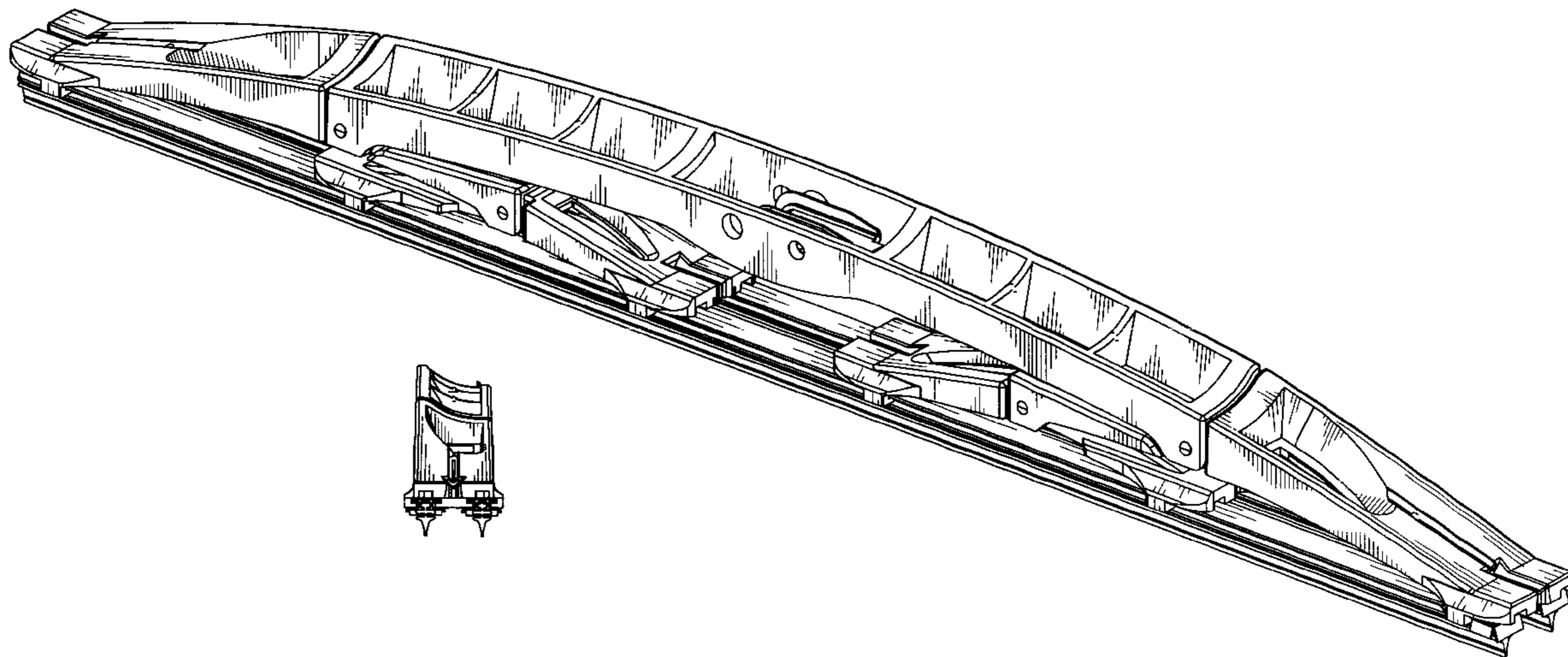
(57) **CLAIM**

The ornamental design for a windshield wiper for vehicle, as shown and described.

DESCRIPTION

FIG. 1 is a perspective view of a “windshield wiper for vehicle” showing my new design; FIG. 2 is a front view thereof; FIG. 3 is a rear view thereof; FIG. 4 is a left side view thereof; FIG. 5 is a right side view thereof; FIG. 6 is a top view thereof; and, FIG. 7 is a bottom view thereof.

1 Claim, 4 Drawing Sheets



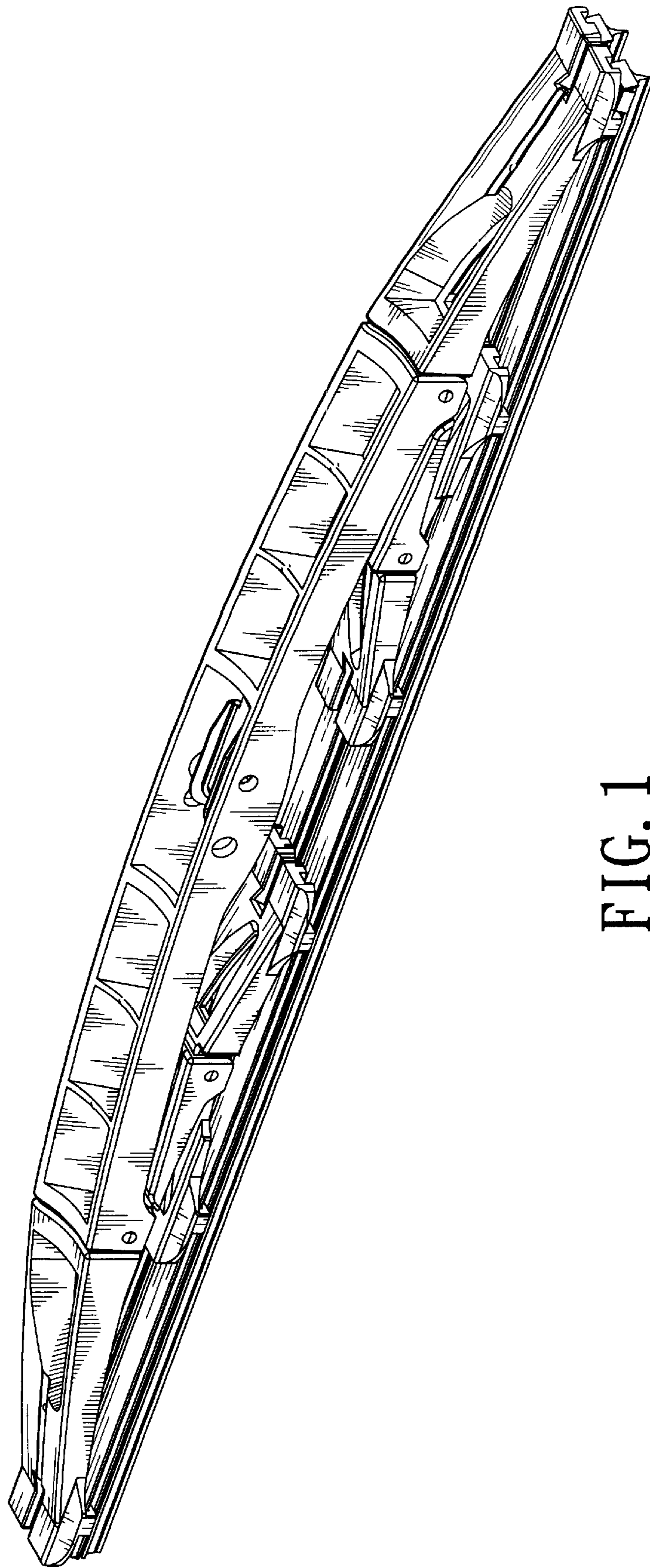


FIG. 1

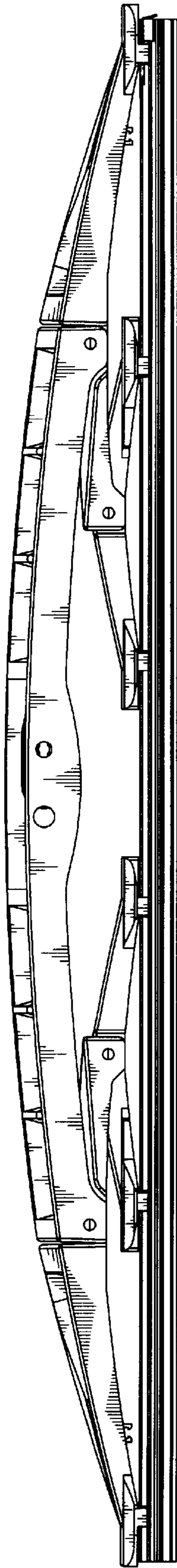


FIG. 2

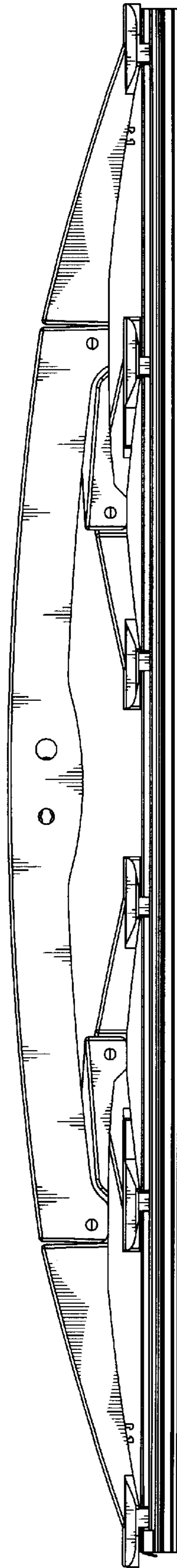


FIG. 3

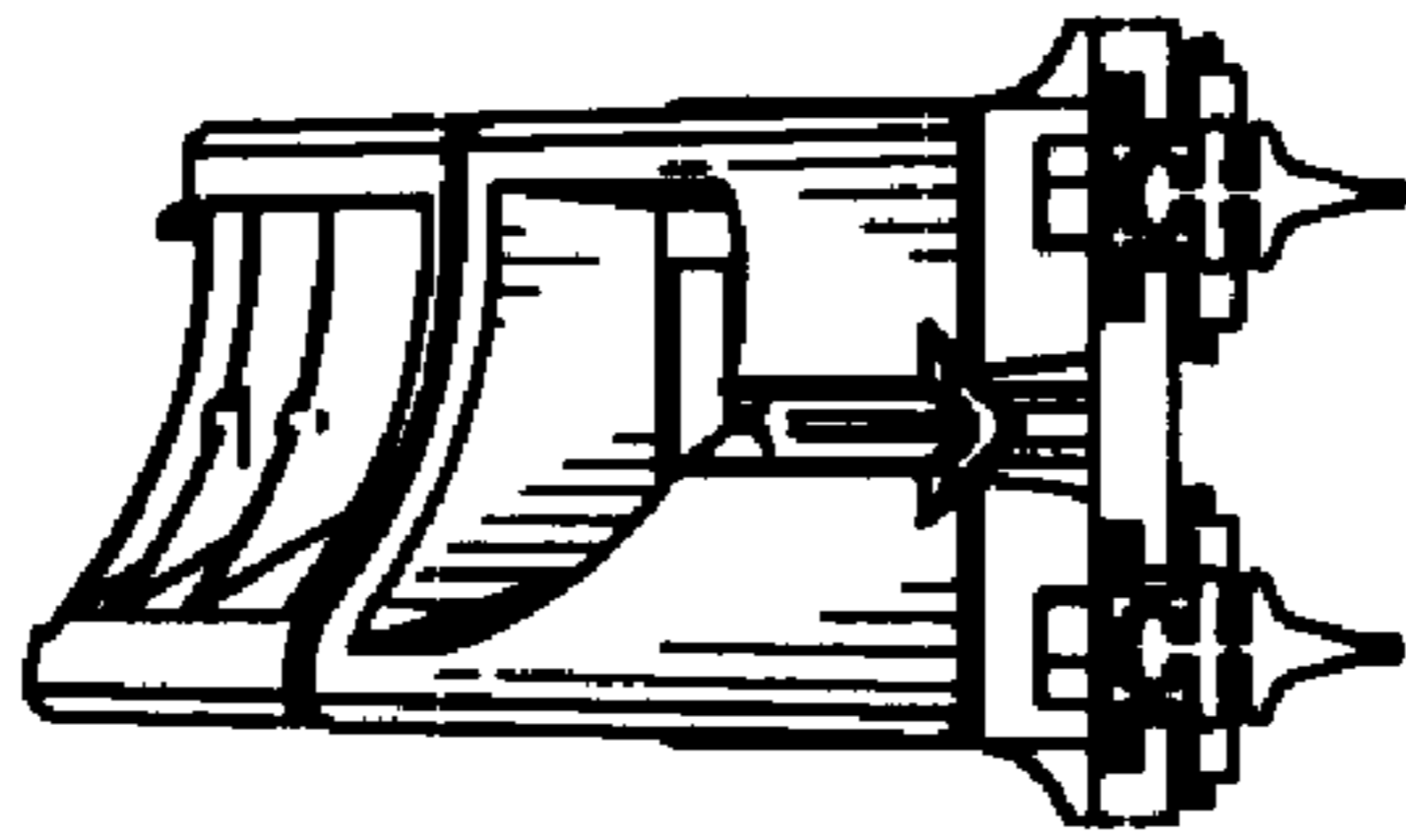


FIG. 4

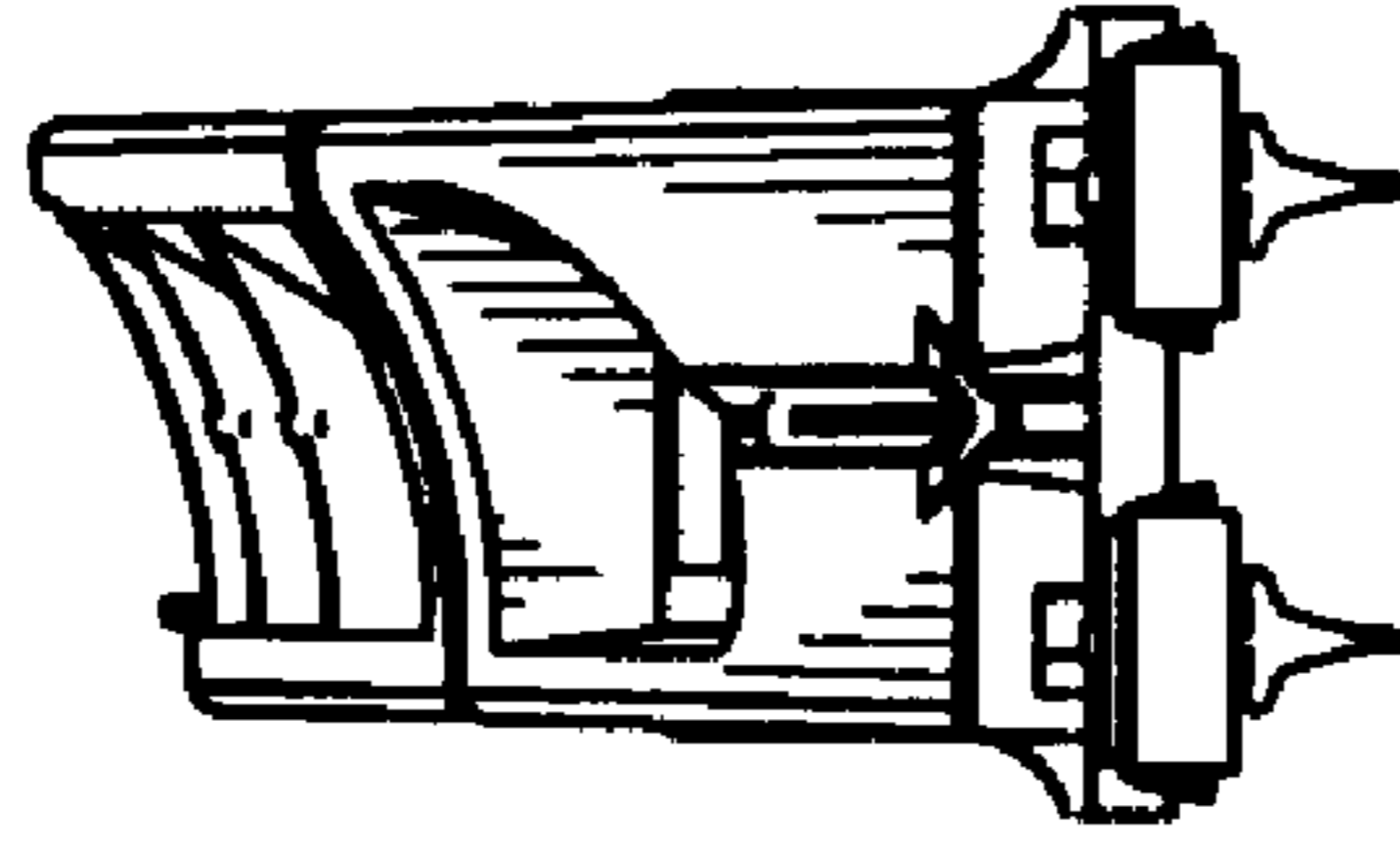


FIG. 5

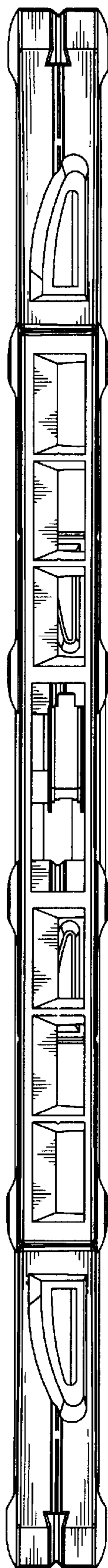


FIG. 6

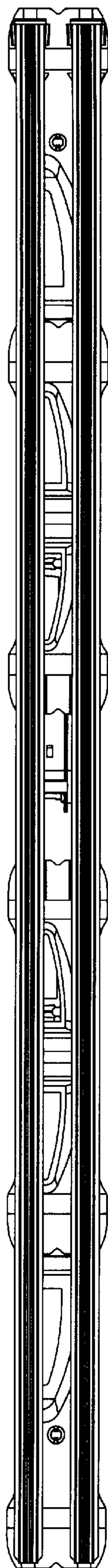


FIG. 7