



US00D474139S

(12) **United States Design Patent**
Warming

(10) **Patent No.:** **US D474,139 S**

(45) **Date of Patent:** **** May 6, 2003**

(54) **FRONT FACE OF A VEHICLE WHEEL**

(75) **Inventor:** **Anders Warming**, Malibu, CA (US)

(73) **Assignee:** **Bayerische Motoren Werke Aktiengesellschaft**, Munich (DE)

(**) **Term:** **14 Years**

(21) **Appl. No.:** **29/154,722**

(22) **Filed:** **Jan. 30, 2002**

(30) **Foreign Application Priority Data**

Jul. 30, 2001 (DE) 4 01 06 965

(51) **LOC (7) Cl.** **12-16**

(52) **U.S. Cl.** **D12/209**

(58) **Field of Search** D12/204-211;
301/37.101, 64.101, 65

(56) **References Cited**

U.S. PATENT DOCUMENTS

- D398,573 S * 9/1998 Cattaneo D12/211
- D412,480 S * 8/1999 Hussaini et al. D12/209
- D412,692 S * 8/1999 Hussaini D12/209
- D415,090 S * 10/1999 Pruden D12/209
- D419,942 S * 2/2000 Lampkin D12/209
- D435,502 S * 12/2000 Donikoglu D12/211

- D437,819 S * 2/2001 Brown et al. D12/209
- D438,505 S * 3/2001 McMath D12/211
- D438,832 S * 3/2001 Ong D12/209
- D449,028 S * 10/2001 Weidhase D12/209
- D450,647 S * 11/2001 Pfeiffer D12/211
- D451,461 S * 12/2001 Arellano D12/209
- D454,527 S * 3/2002 Bhambra D12/209
- D458,204 S * 6/2002 Kataoka D12/209
- D458,571 S * 6/2002 Maifrini D12/209
- D460,037 S * 7/2002 Takechi D12/211

* cited by examiner

Primary Examiner—Stacia Cadmus

(74) *Attorney, Agent, or Firm*—Crowell & Moring LLP

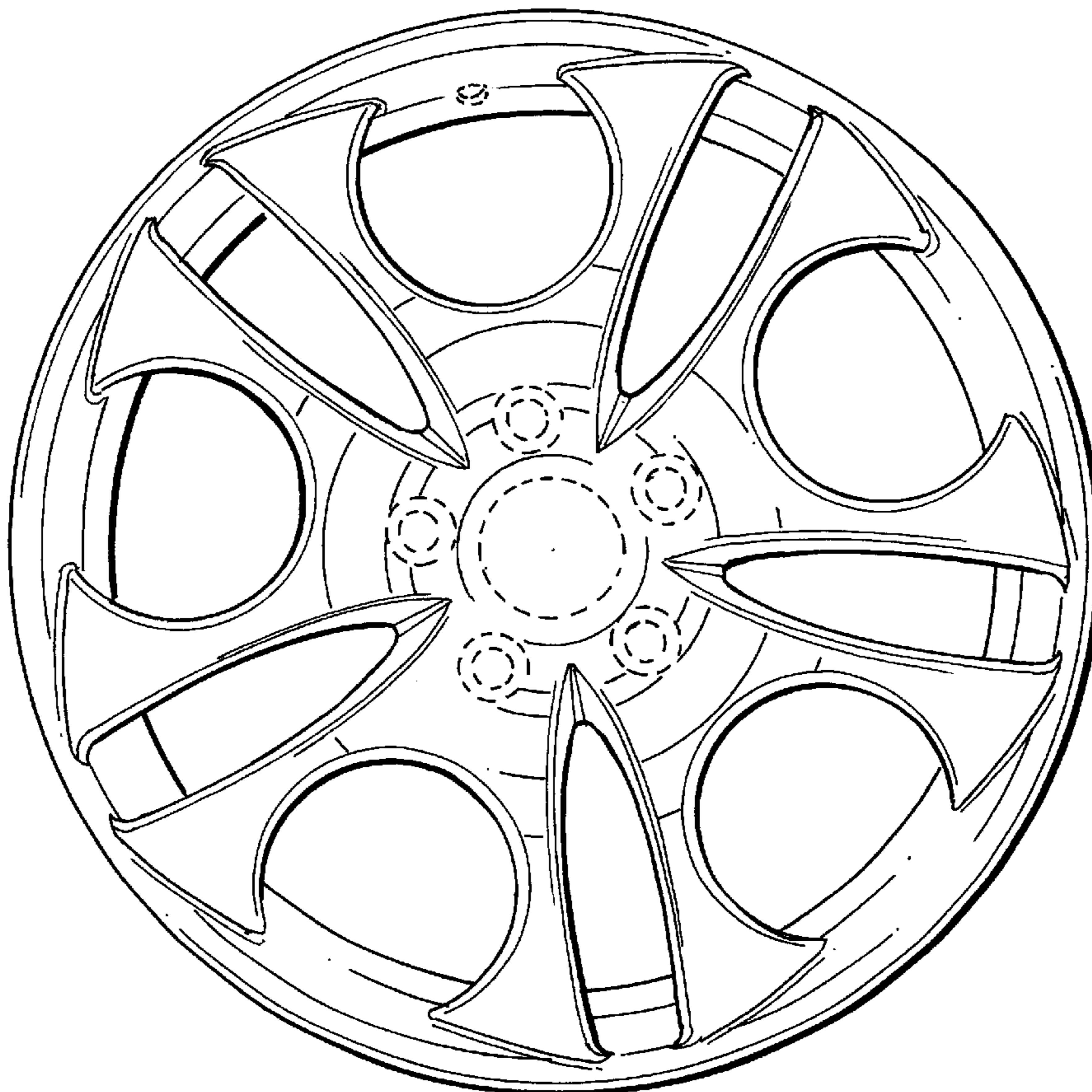
(57) **CLAIM**

The ornamental design for a front face of a vehicle wheel, as shown and described.

DESCRIPTION

FIG. 1 is a front view of a front face of a vehicle wheel according to my novel design; and, FIG. 2 is a perspective view of the front face of a vehicle wheel according to my novel design. The dash lines included depict environment and are not part of the claimed design.

1 Claim, 1 Drawing Sheet



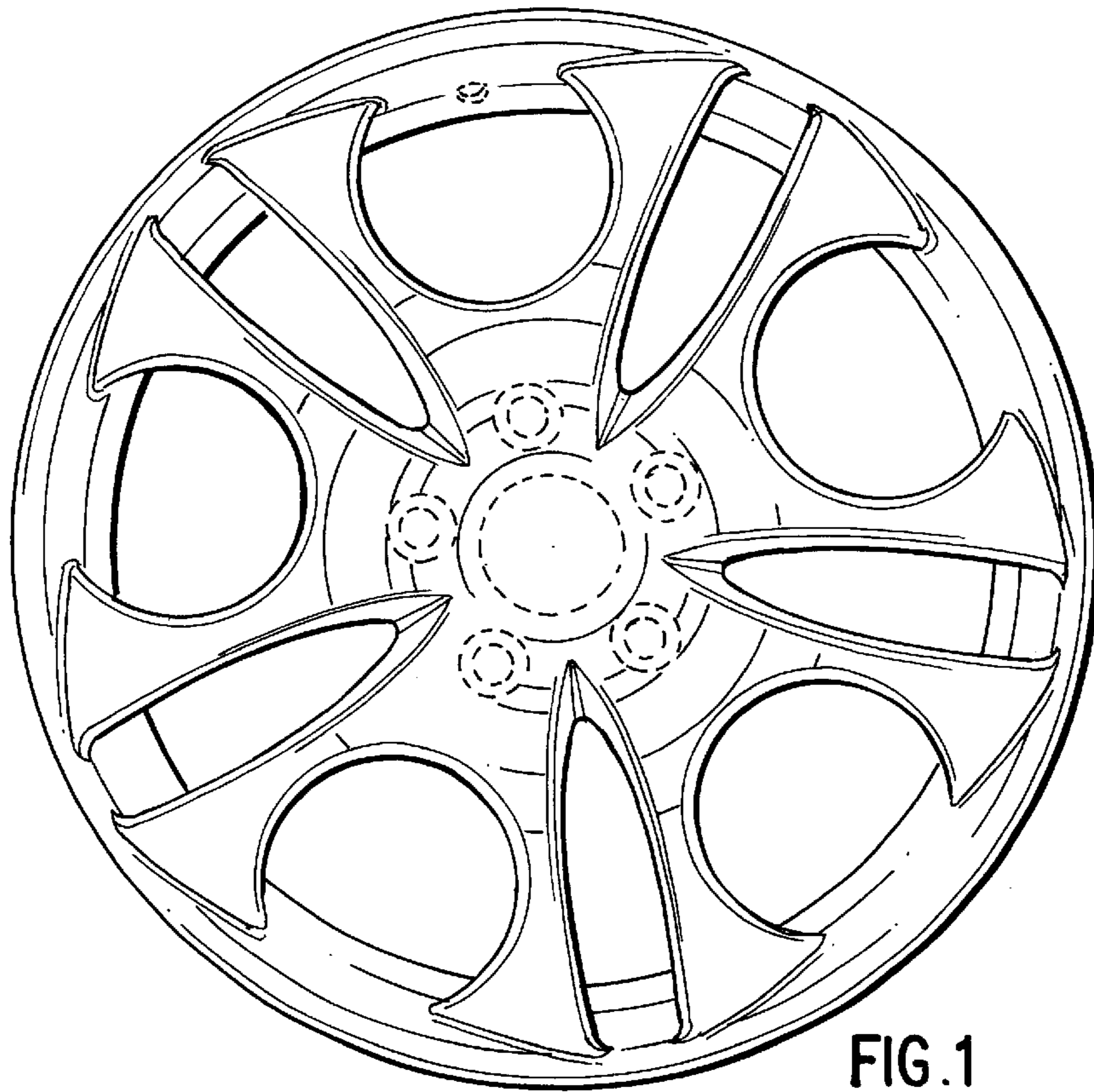


FIG. 1

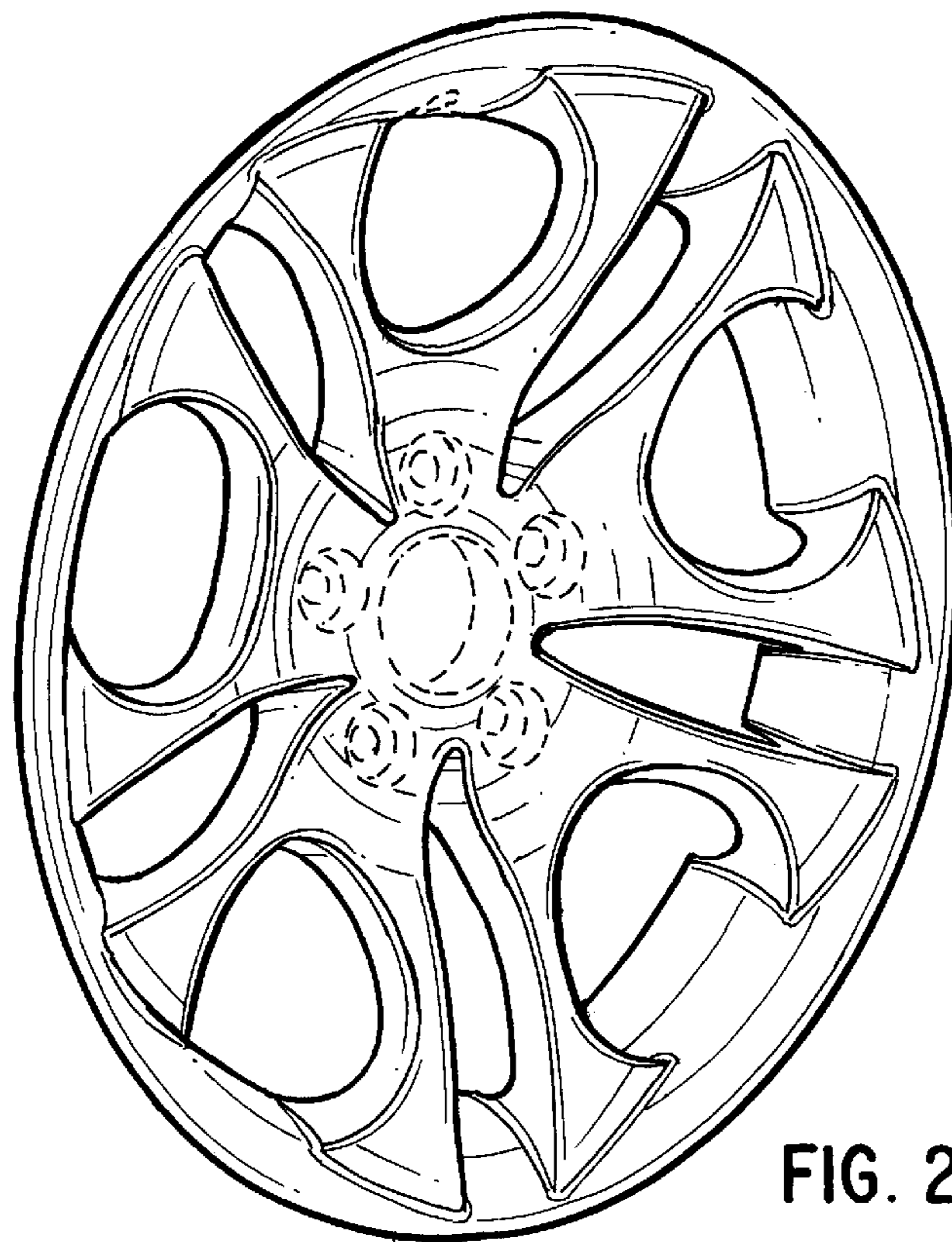


FIG. 2