



US00D474130S

(12) **United States Design Patent**
Rezania

(10) **Patent No.:** **US D474,130 S**

(45) **Date of Patent:** **** May 6, 2003**

(54) **BELT BUCKLE**

D434,344 S * 11/2000 Nezu D11/216

(76) Inventor: **Omid Rezania**, 67 Commonwealth Rd.,
Watertown, MA (US) 02472

* cited by examiner

Primary Examiner—Catherine R. Oliver

(**) Term: **14 Years**

(57) **CLAIM**

(21) Appl. No.: **29/161,732**

The ornamental design for the belt buckle, as shown and described.

(22) Filed: **Jun. 4, 2002**

(51) **LOC (7) Cl.** **02-07**

(52) **U.S. Cl.** **D11/231**

(58) **Field of Search** D11/200–232;
24/614, 616, 625, 650, 615, 199, 170, 200,
30.5 R, 318; D2/625–629

DESCRIPTION

FIG. 1 is a front perspective view of the design. The broken lines are for illustrative purposes only and do not form part of the claimed design.

FIG. 2 is the rear perspective view of the design. The broken lines are for illustrative purposes only and do not form part of the claimed design.

FIG. 3 is a front elevation view of the design;

FIG. 4 is the right view of the design; and,

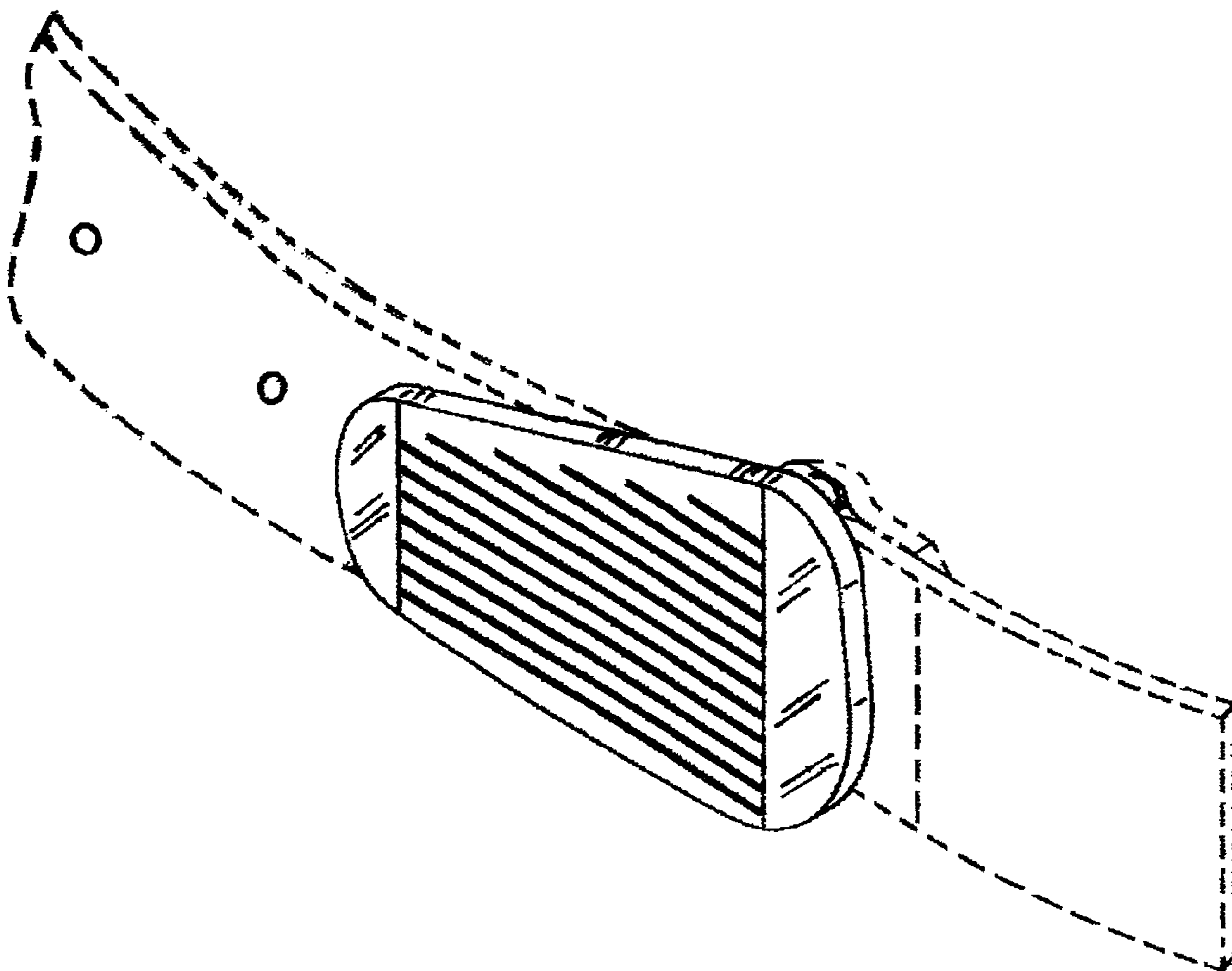
FIG. 5 is a top plan view of the design.

(56) **References Cited**

U.S. PATENT DOCUMENTS

- 1,354,771 A * 10/1920 McCormack 24/170
- 1,406,517 A * 2/1922 Wood 24/318
- D246,209 S * 11/1977 Burgell D11/230
- D347,197 S * 5/1994 Greene D11/231

1 Claim, 5 Drawing Sheets



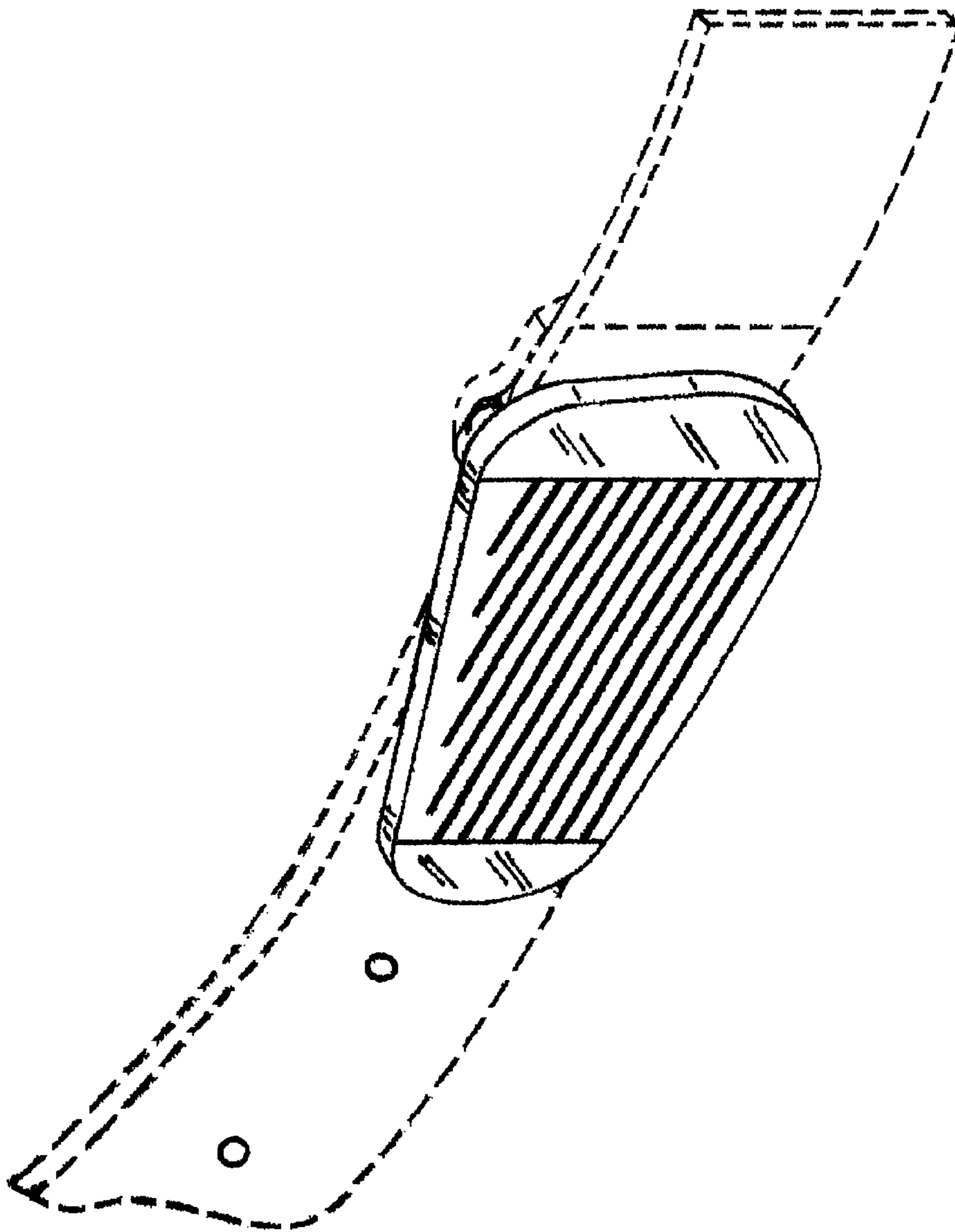


FIG. 1

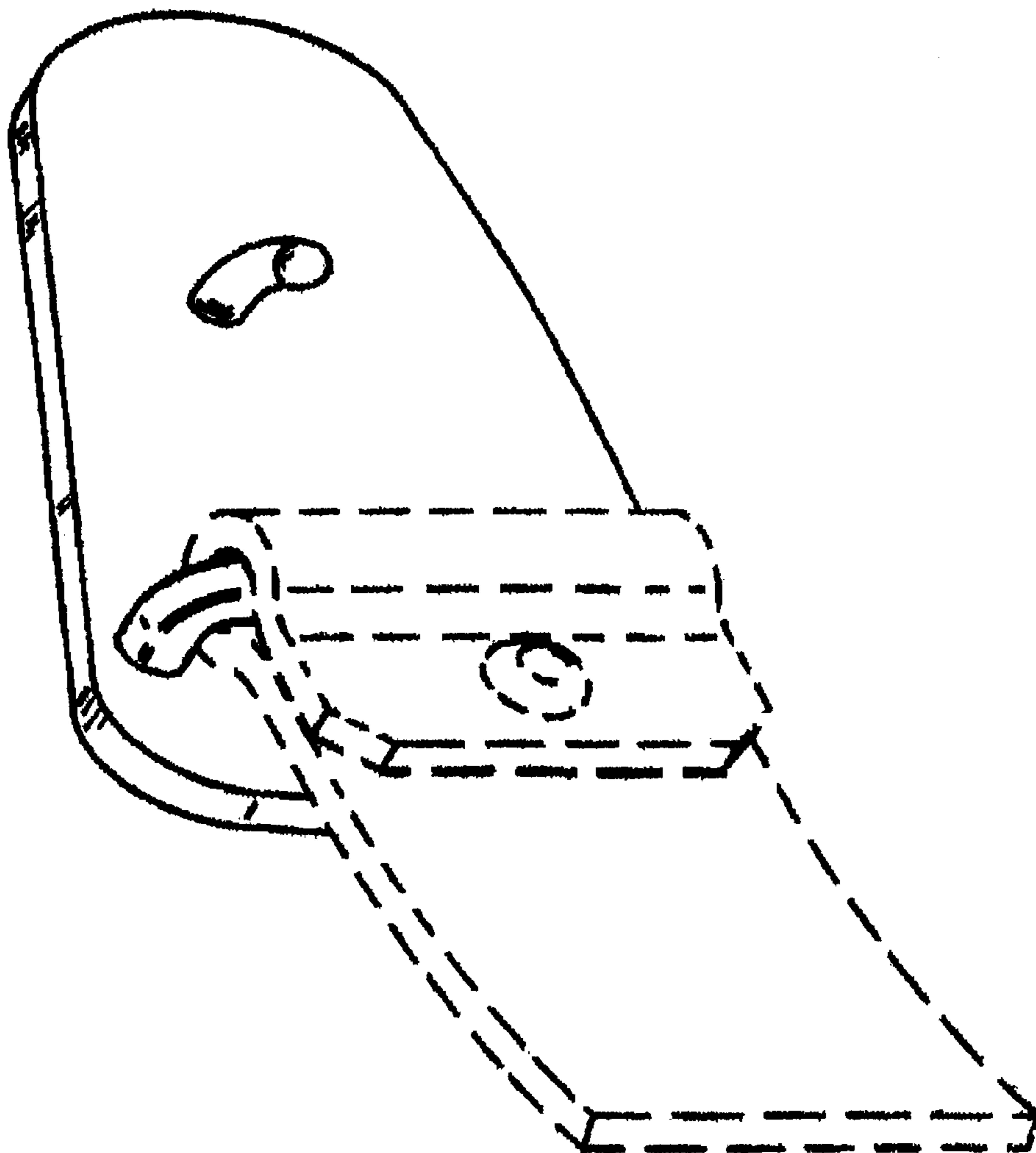


FIG. 2

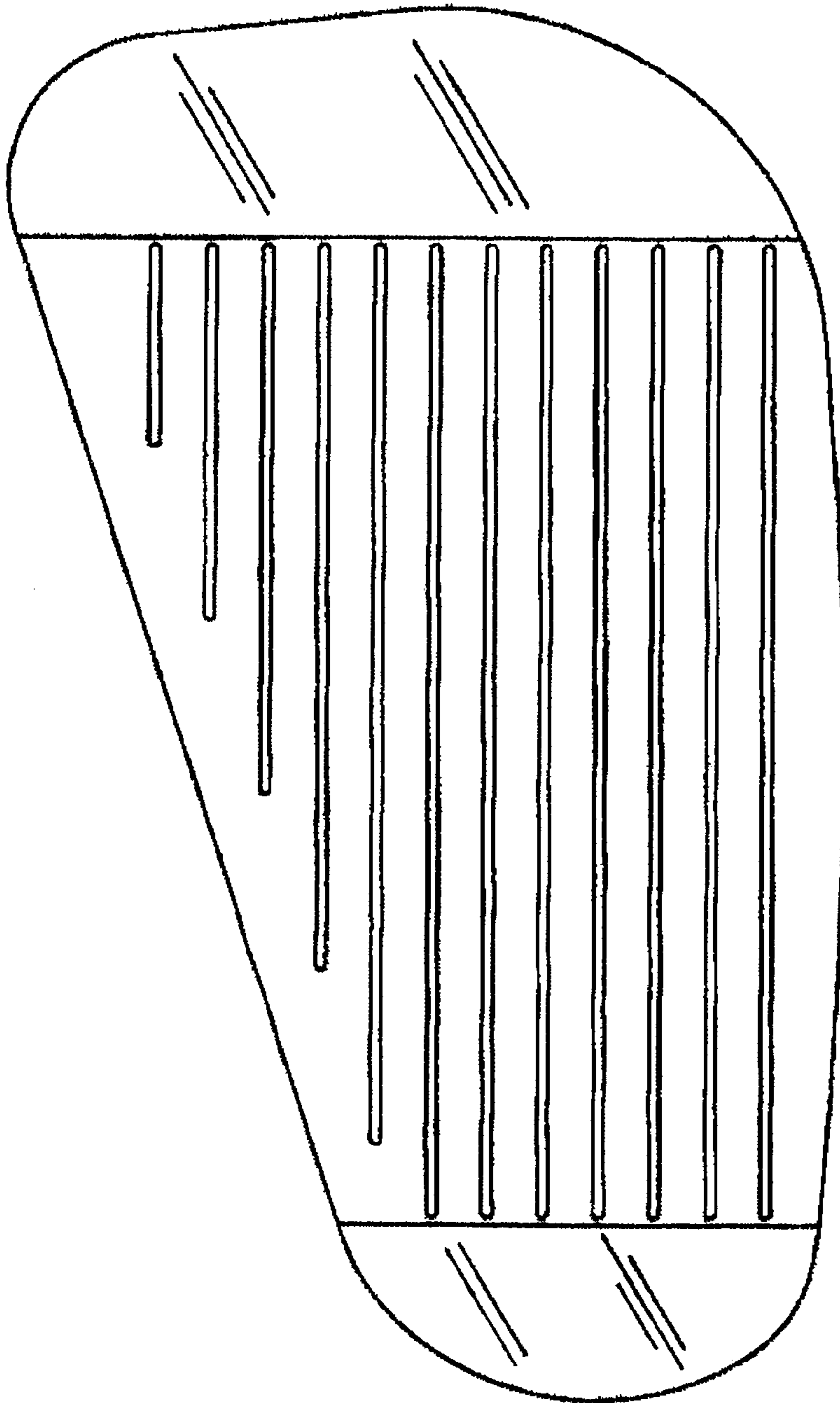


FIG. 3

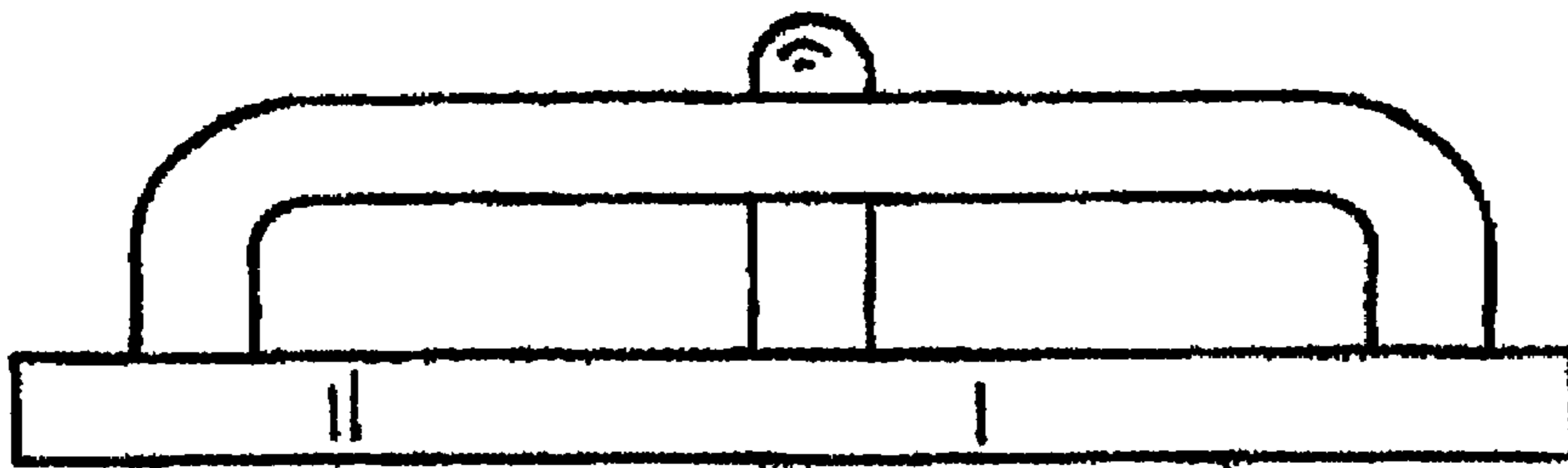


FIG. 4

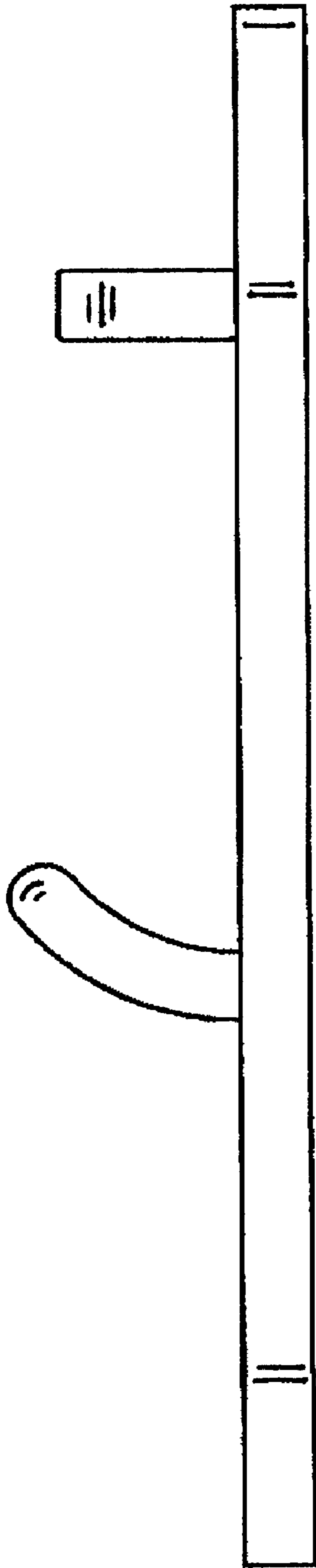


FIG. 5