



US00D474129S

(12) **United States Design Patent**
Penaluna

(10) **Patent No.:** **US D474,129 S**

(45) **Date of Patent:** **** May 6, 2003**

(54) **TROPHY DISPLAY HOLDER FOR BALL SPORTS**

(76) **Inventor:** **David John Penaluna**, 2/191
Drummond Street, Carlton, Victoria
(AU), 3053

(**) **Term:** **14 Years**

(21) **Appl. No.:** **29/158,826**

(22) **Filed:** **Apr. 1, 2002**

(51) **LOC (7) Cl.** **11-02**

(52) **U.S. Cl.** **D11/164**

(58) **Field of Search** D11/117, 131,
D11/157, 164; 428/462.2-462.6

(56) **References Cited**

U.S. PATENT DOCUMENTS

1,818,737	A	*	8/1931	Moser	428/542.2
D147,902	S	*	11/1947	Gray	D11/164
D168,598	S	*	1/1953	Santner	D11/157
3,231,993	A	*	2/1966	Levy	428/542.2
D215,729	S	*	10/1969	Allen	D11/164
D275,744	S	*	10/1984	McJunkin et al.	D11/157
D279,556	S	*	7/1985	McJunkin	D11/157
D279,557	S	*	7/1985	McJunkin	D11/157
D290,447	S	*	6/1987	Evans	D11/131
D370,867	S	*	6/1996	Phelps	D11/131
D370,868	S	*	6/1996	Phelps	D11/131

OTHER PUBLICATIONS

Dan Kain Trophies Inc., 1991 Catalog; p. 22, #A-Golf Tee Trophy.*

Jacobs Gardner 1989 Trophy Awards Catalog; p. 20, #563-2 Softball Holder.*

* cited by examiner

Primary Examiner—Dominic Simone

(74) *Attorney, Agent, or Firm*—Richard M. Goldberg

(57) **CLAIM**

The ornamental design for trophy display holder for ball sports, as shown and described.

DESCRIPTION

FIG. 1 is a front perspective view of a trophy display holder for ball sports of a first embodiment of my design;

FIG. 2 is a rear perspective view thereof;

FIG. 3 is a rear elevational view thereof;

FIG. 4 is a right side elevational view thereof, the left side being a mirror image;

FIG. 5 is a bottom plan view thereof;

FIG. 6 is a front perspective view of a trophy display holder for ball sports of a second embodiment of my design;

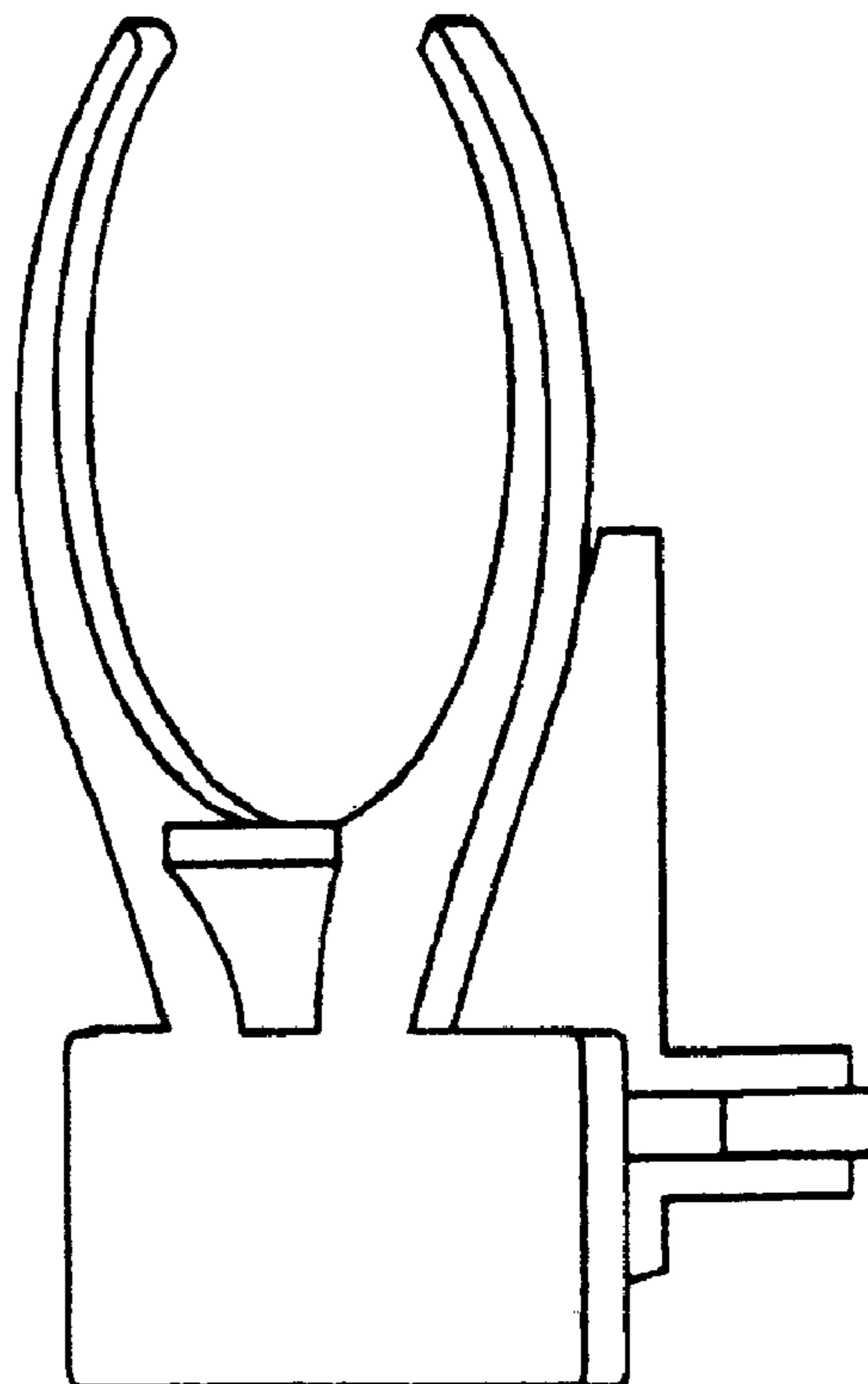
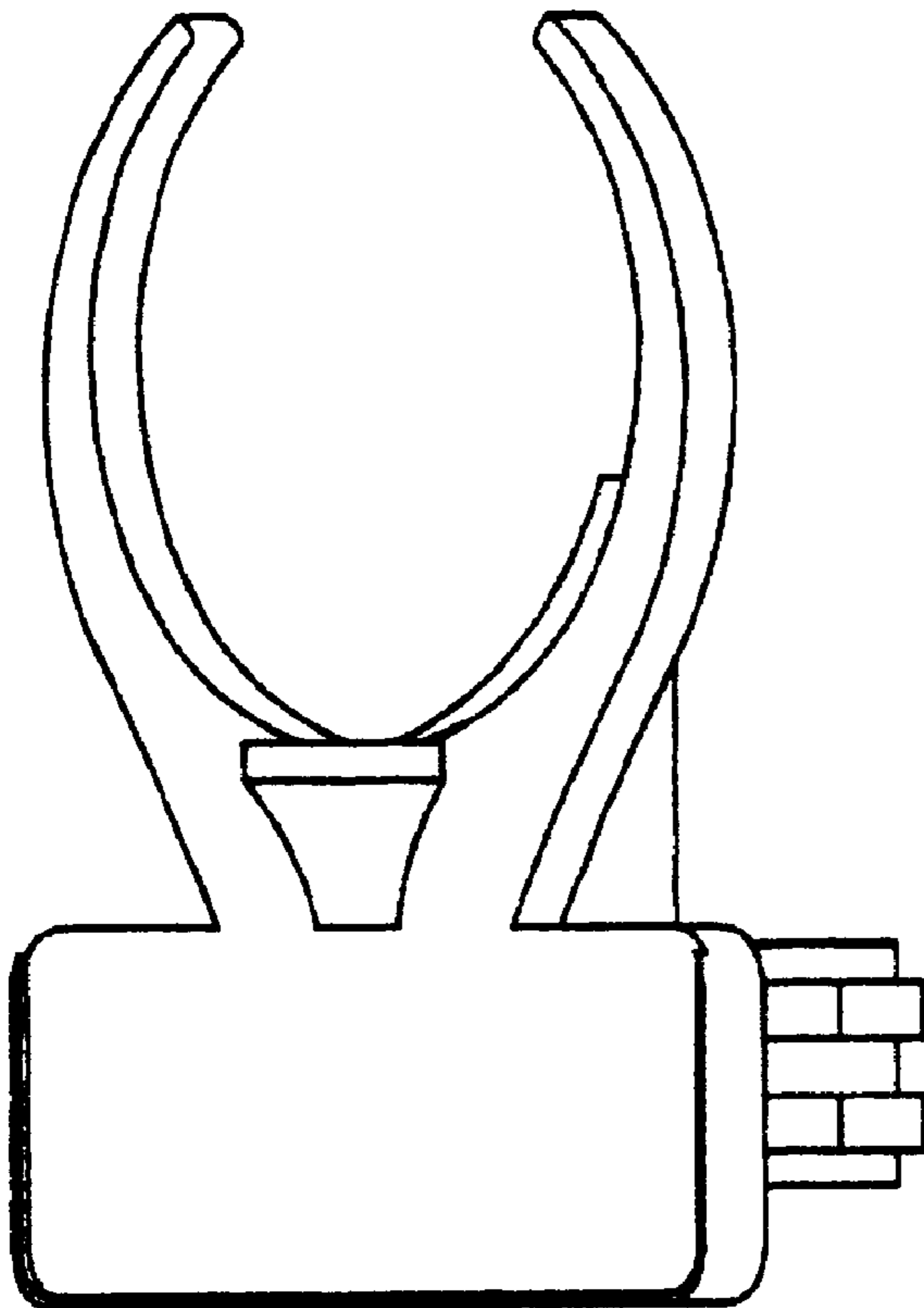
FIG. 7 is a rear perspective view of the design of FIG. 6;

FIG. 8 is a rear elevational view of the design of FIG. 6; and

FIG. 9 is a right side elevational view of the design of FIG. 6, the left side being a mirror image; and

FIG. 10 is a bottom plan view of the design of FIG. 6.

1 Claim, 2 Drawing Sheets



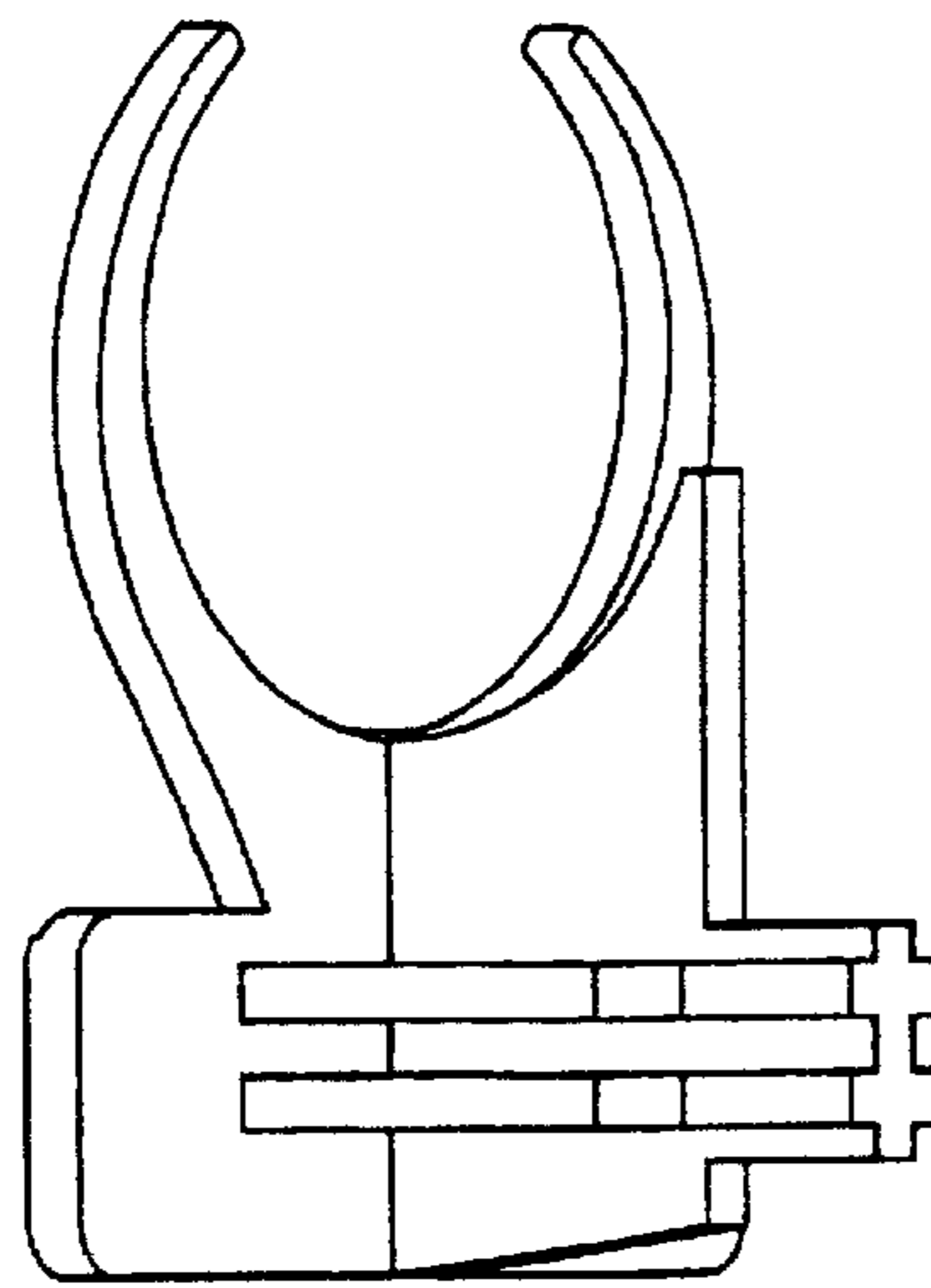


Figure 2

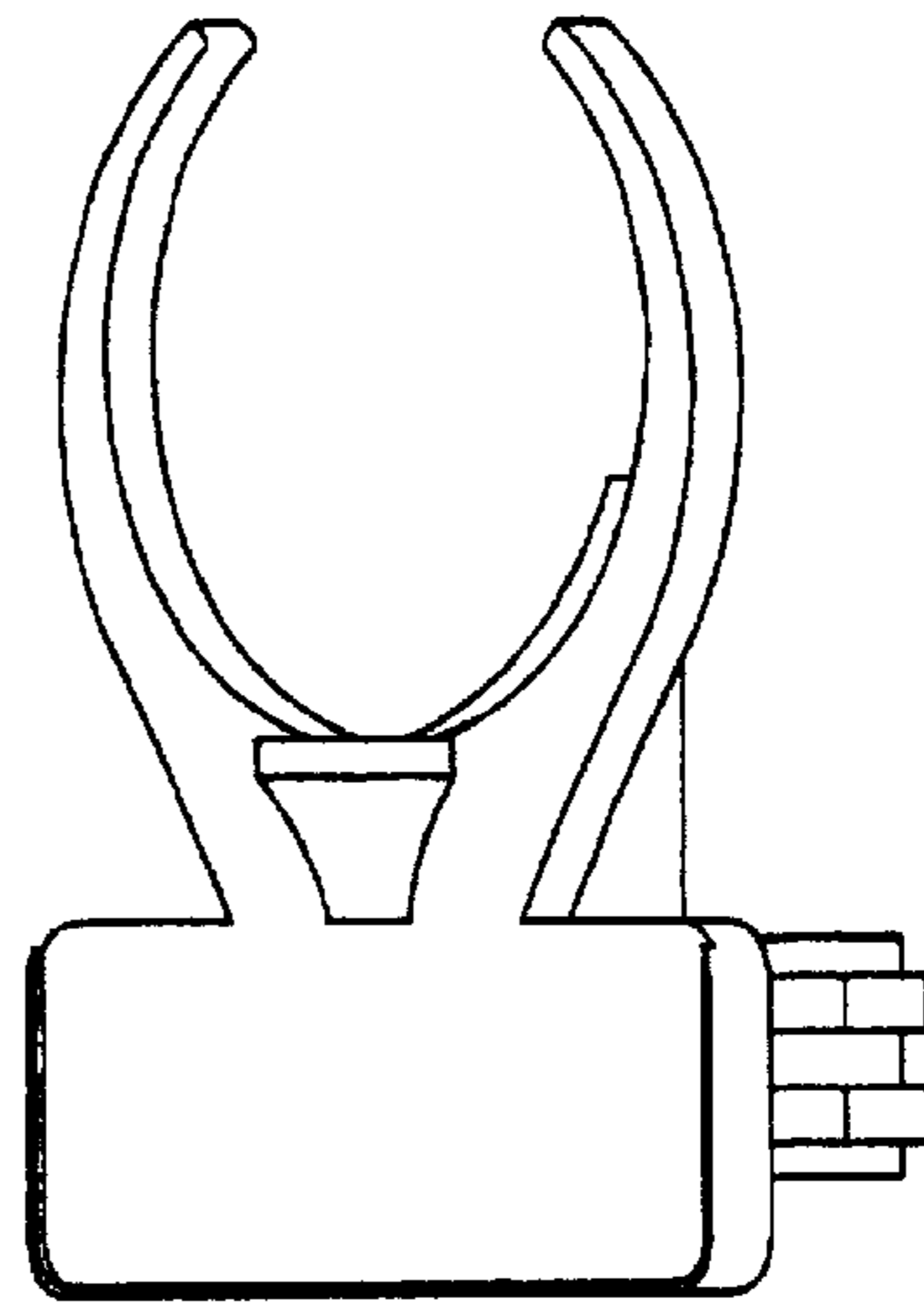


Figure 1

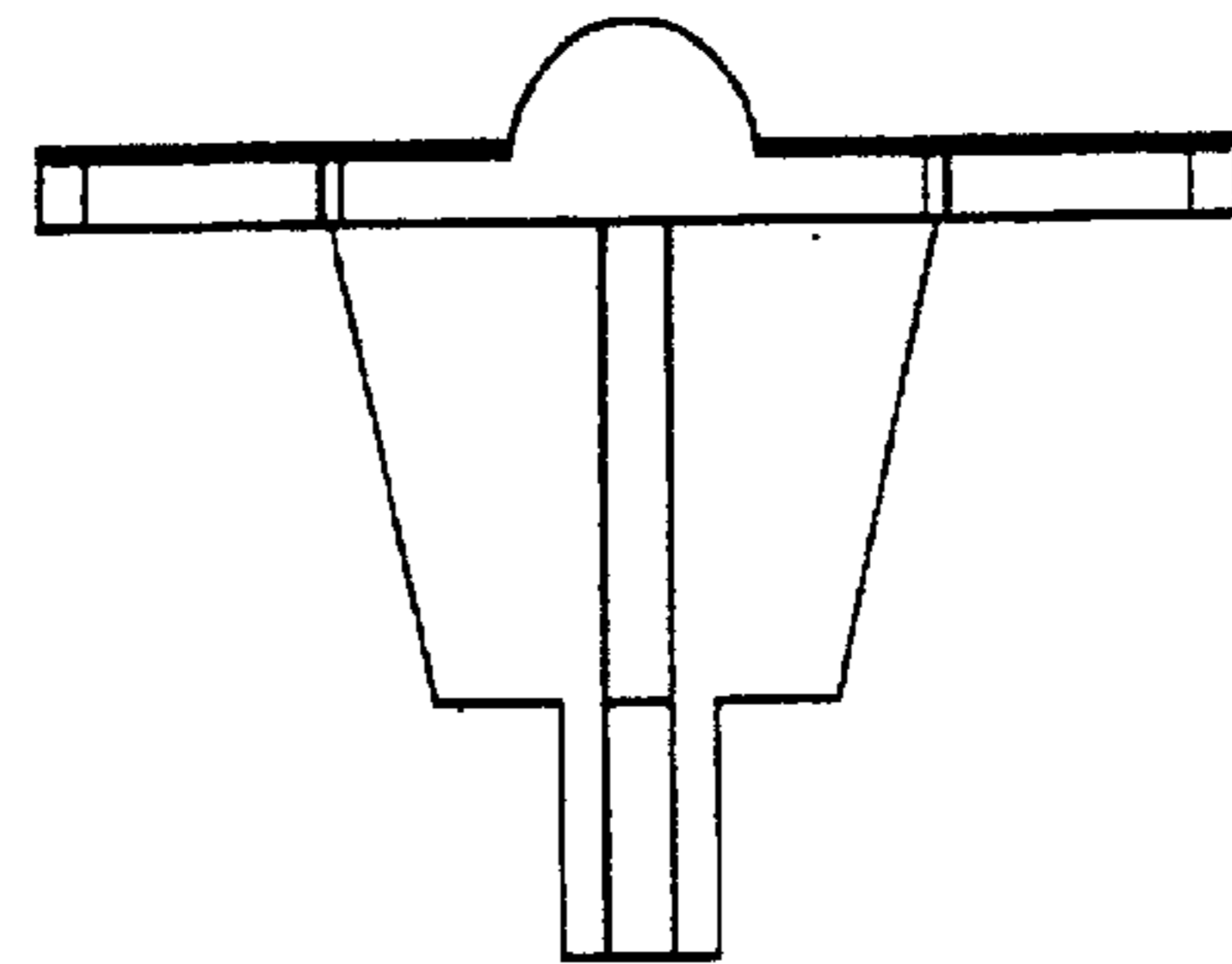


Figure 5

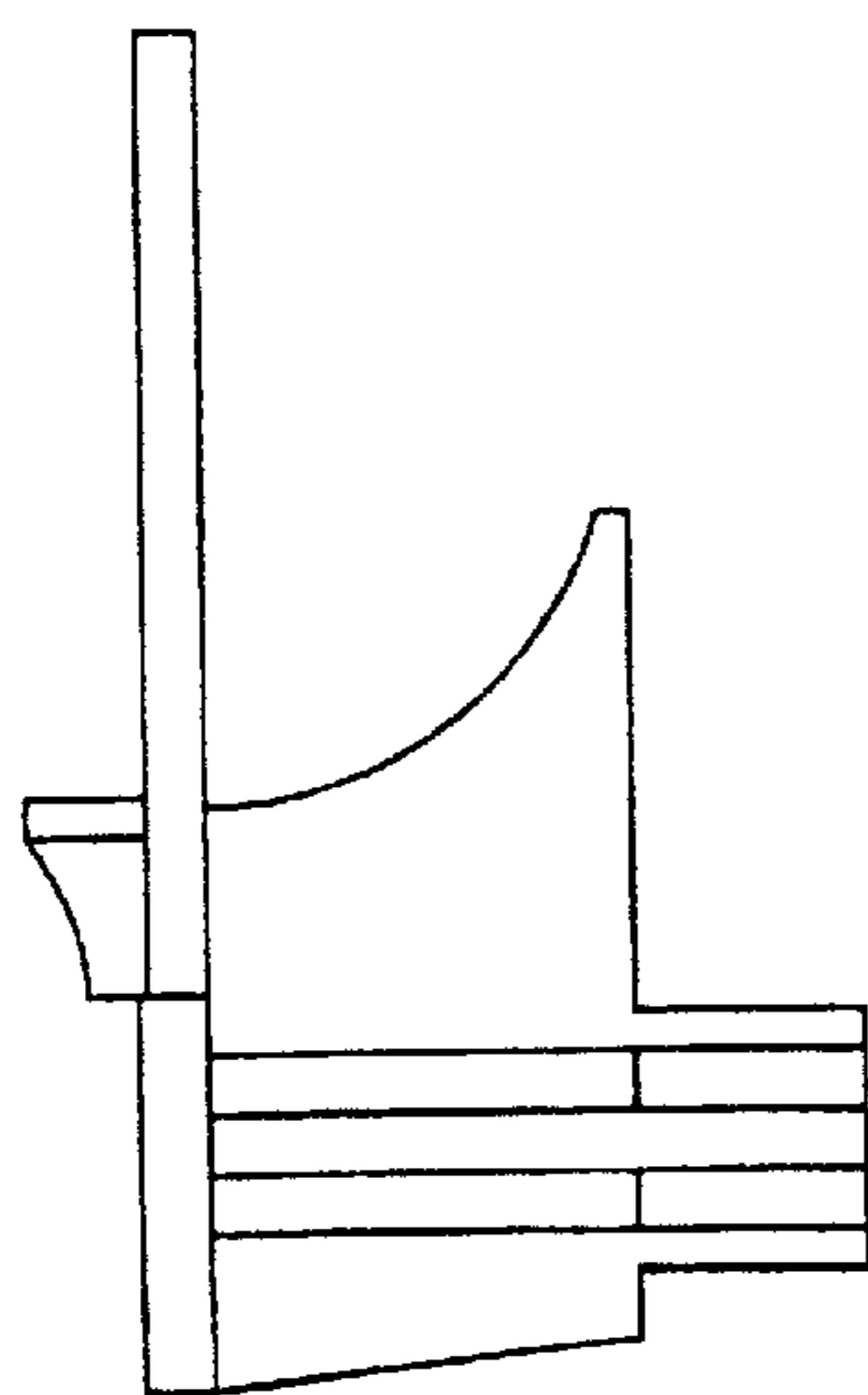


Figure 4

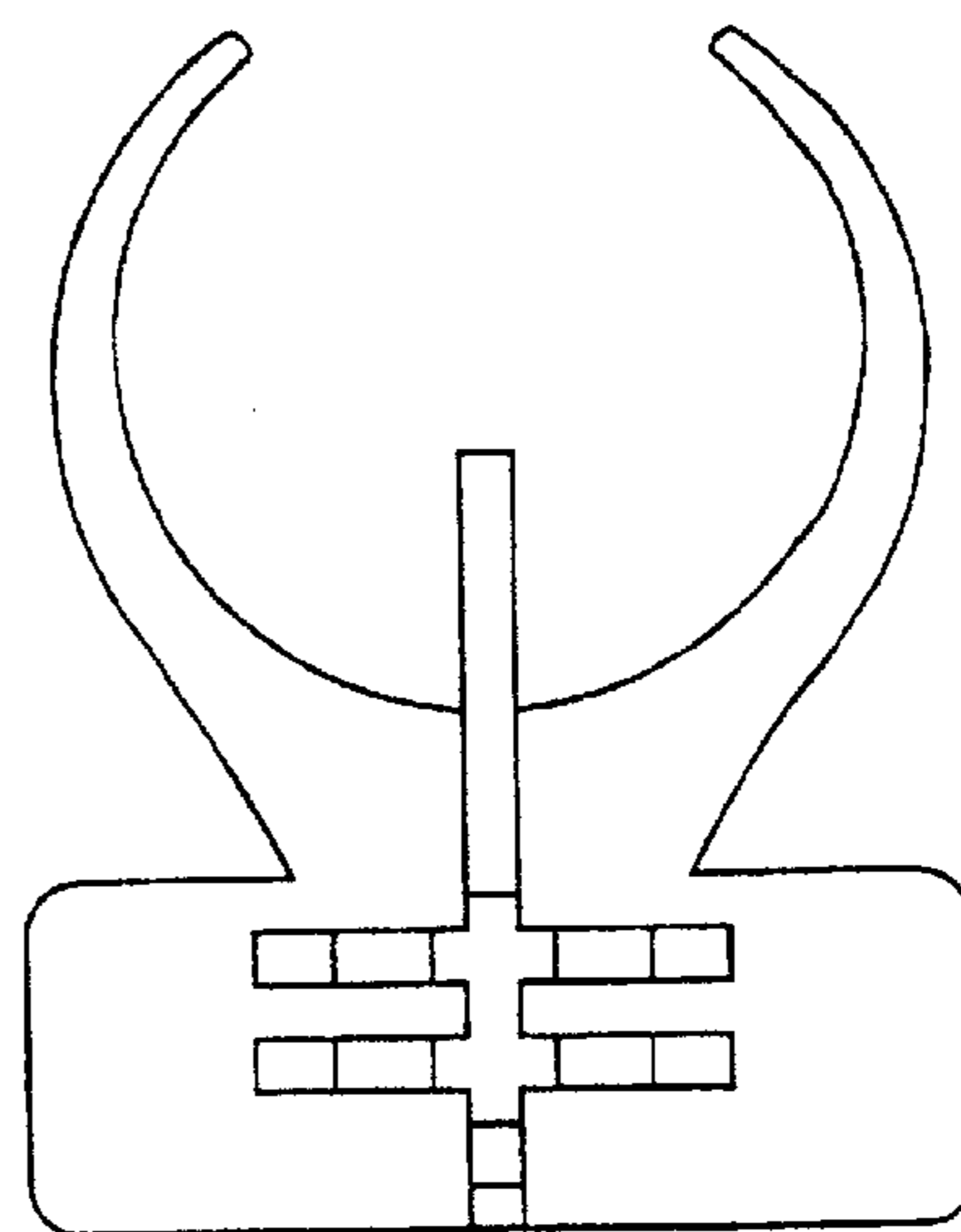


Figure 3

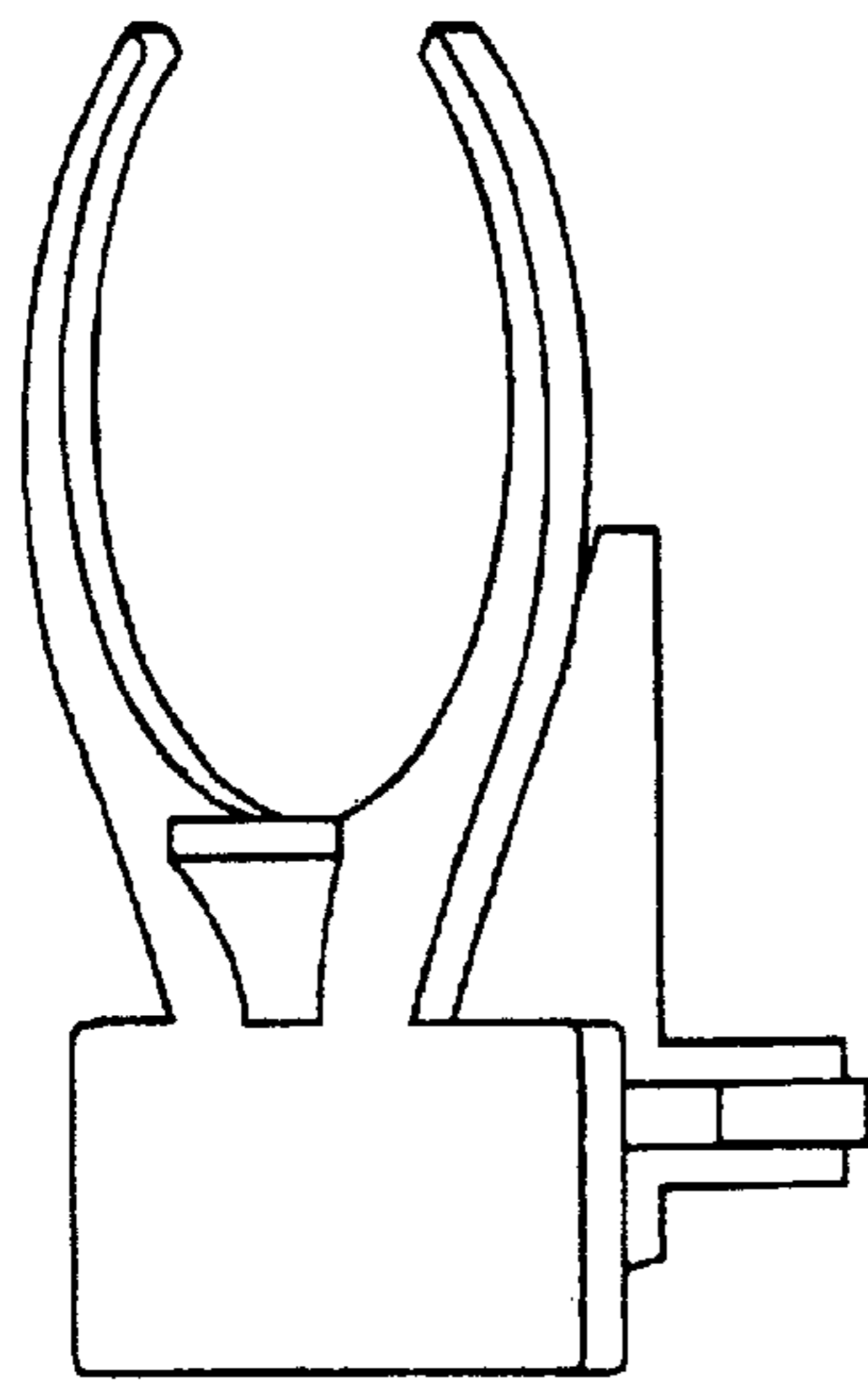


Figure 6

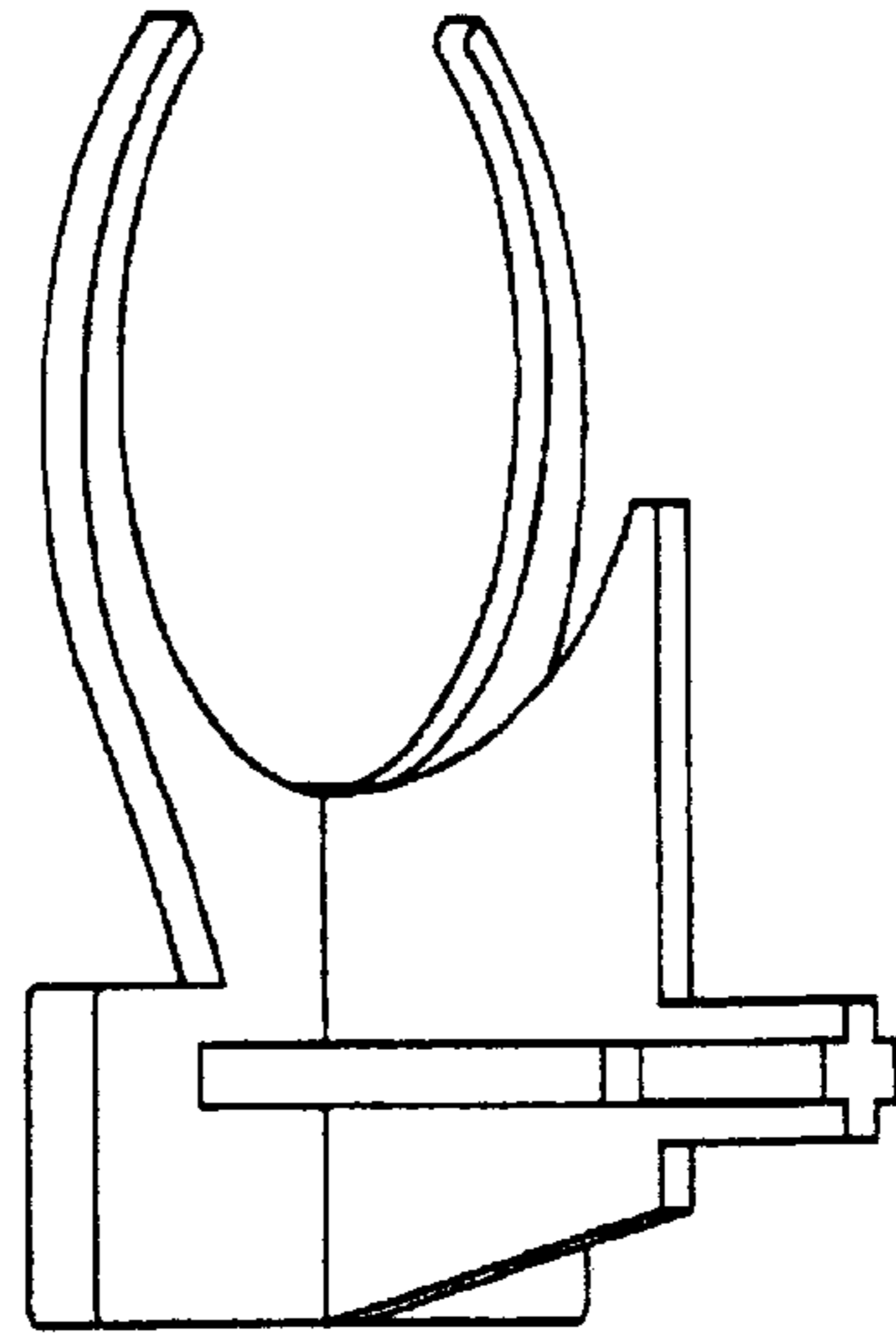


Figure 7

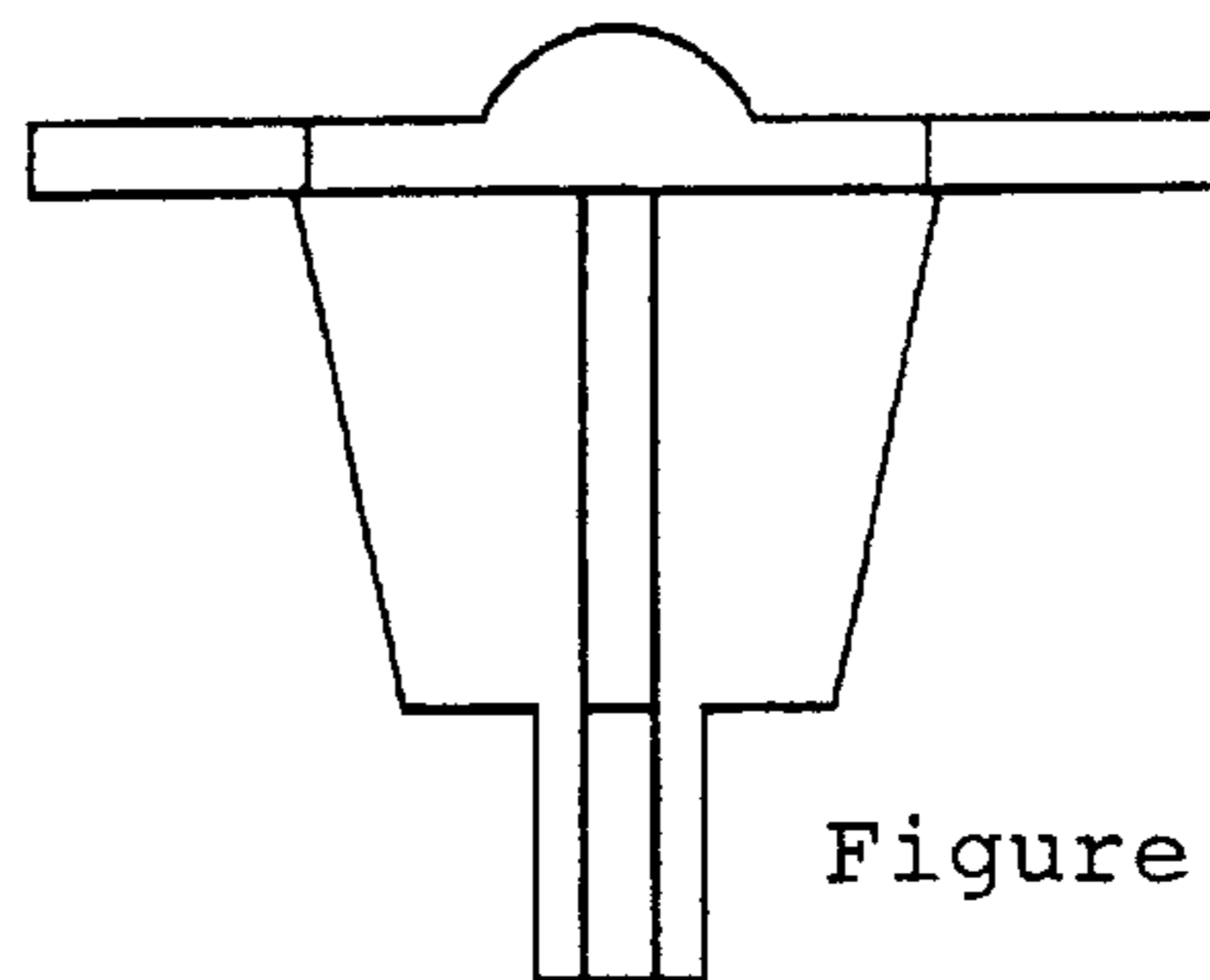


Figure 10

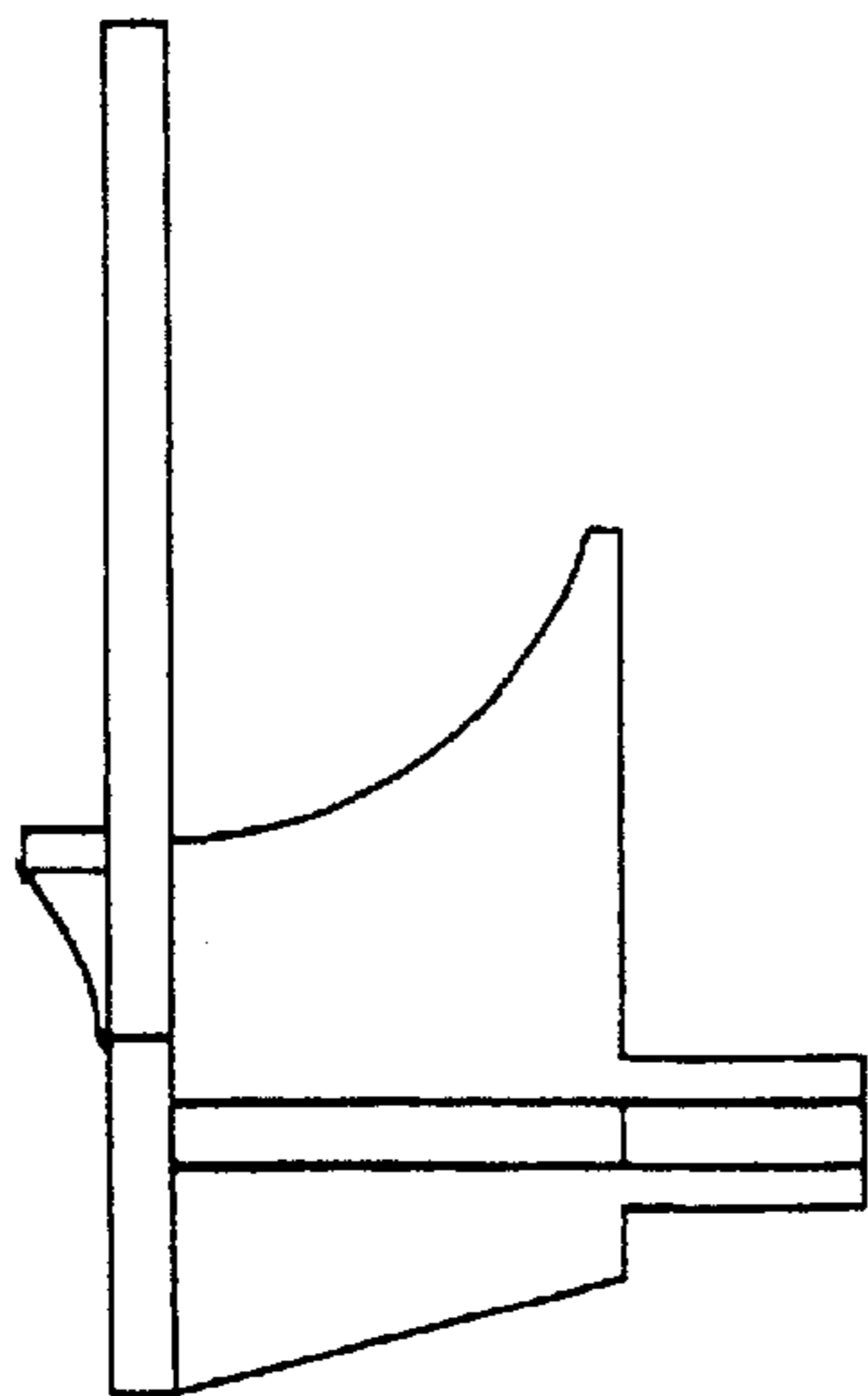


Figure 9

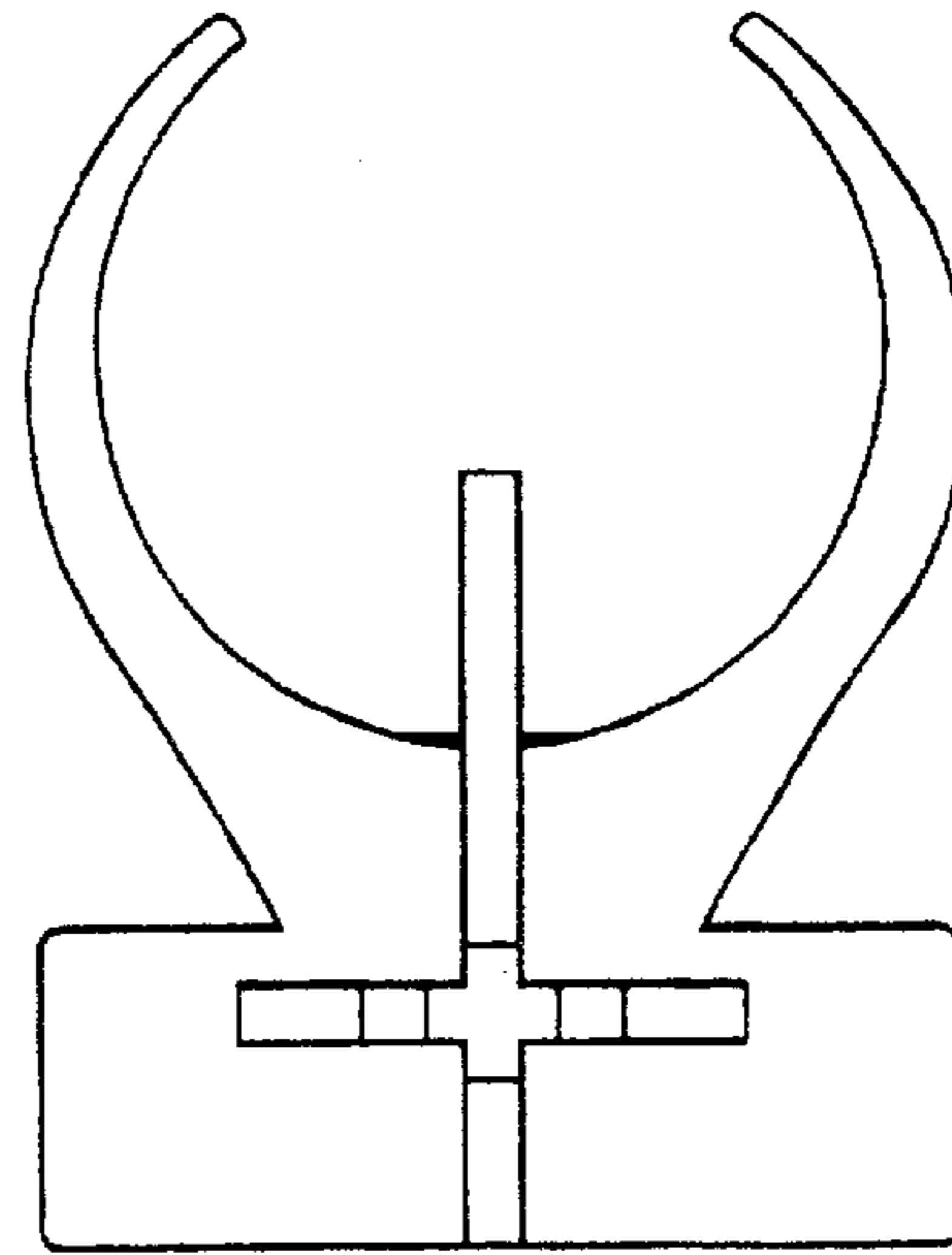


Figure 8