



US00D474117S

(12) **United States Design Patent**
Dubois

(10) **Patent No.:** **US D474,117 S**

(45) **Date of Patent:** **** May 6, 2003**

(54) **WATCH CASE**

D410,199 S * 5/1999 Calvani D10/39

(75) Inventor: **Sylvie Dubois**, Orient (CH)

* cited by examiner

(73) Assignee: **DTH-Dubois Technique Horlogère SA**, Le Brassus (CH)

Primary Examiner—Nelson C. Holtje

(**) Term: **14 Years**

(57) **CLAIM**

I claim the ornamental design for the watch case, as shown and described.

(21) Appl. No.: **29/158,054**

(22) Filed: **Mar. 28, 2002**

DESCRIPTION

(30) **Foreign Application Priority Data**

Sep. 28, 2001 (XH) DM/057511

FIG. 1 is a front elevation view of the new watch case of the present invention.

(51) **LOC (7) Cl.** **10-02**

FIG. 2 is a rear elevation view thereof.

(52) **U.S. Cl.** **D10/30**

FIG. 3 is a bottom view thereof.

(58) **Field of Search** D10/30-39; 368/280-282, 368/276-277, 285

FIG. 4 is a top view thereof.

FIG. 5 is a right view thereof.

FIG. 6 is a left view thereof; and,

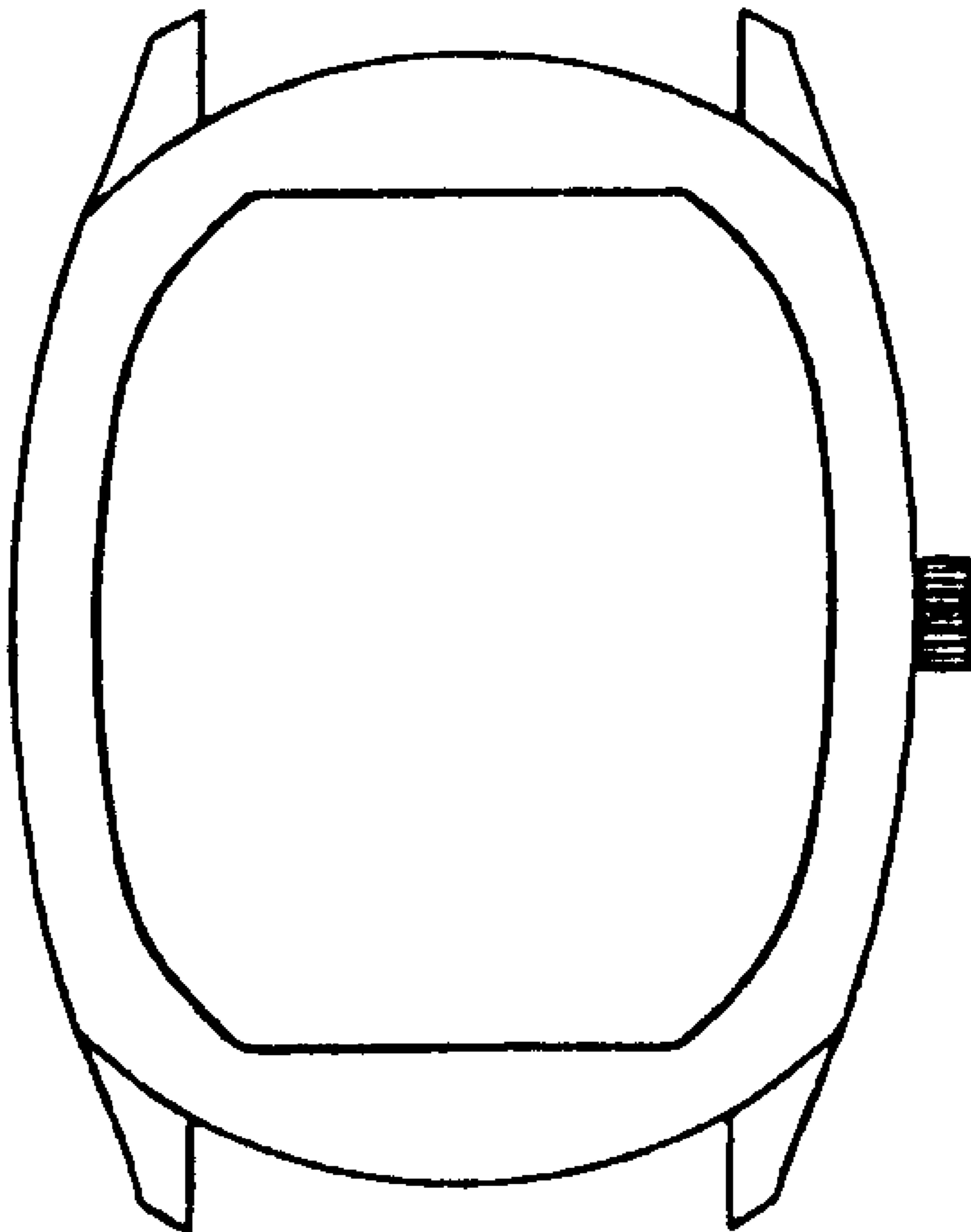
FIG. 7 is a front right perspective view thereof.

(56) **References Cited**

U.S. PATENT DOCUMENTS

D402,211 S * 12/1998 Miyake et al. D10/39

1 Claim, 1 Drawing Sheet



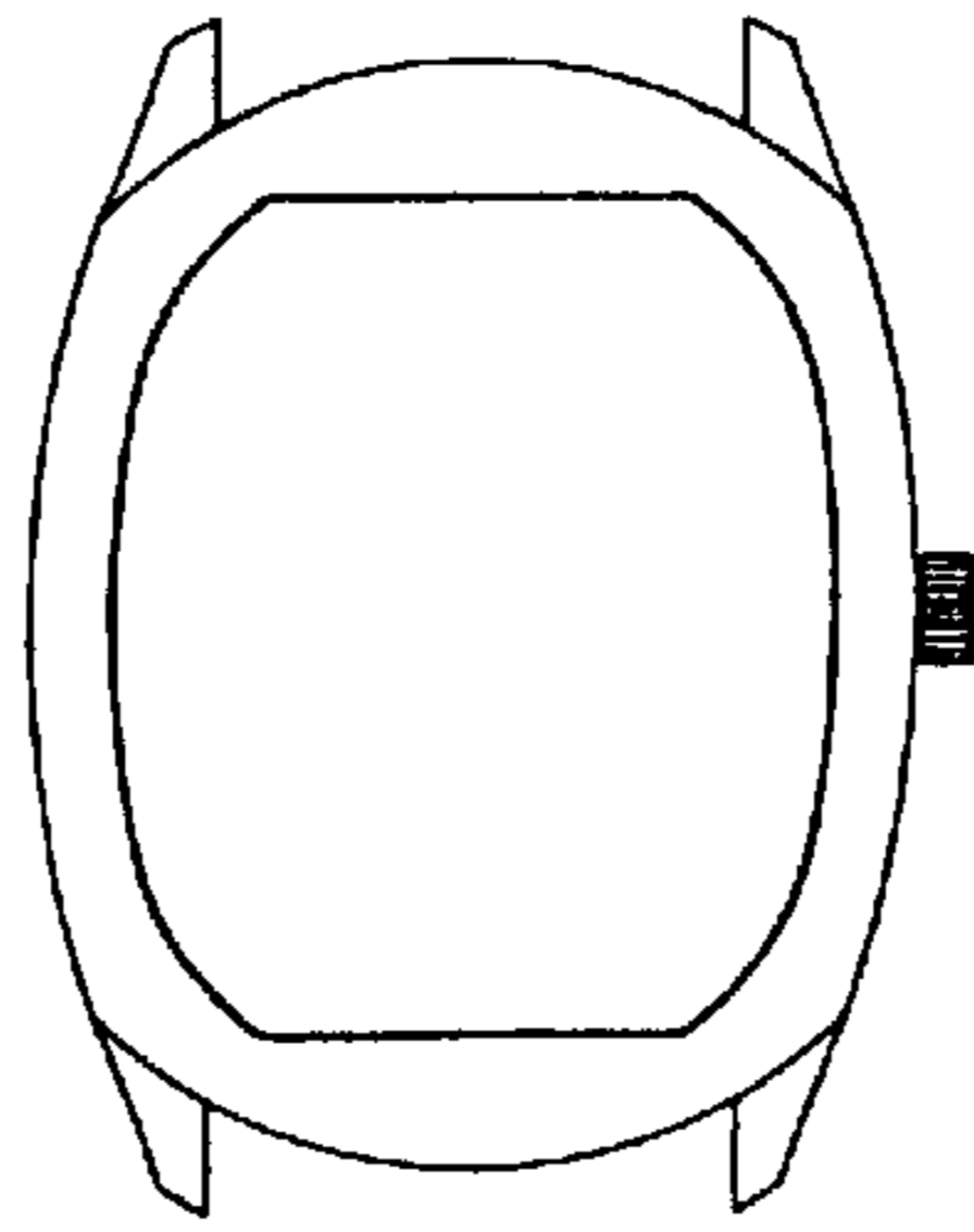


Figure 1

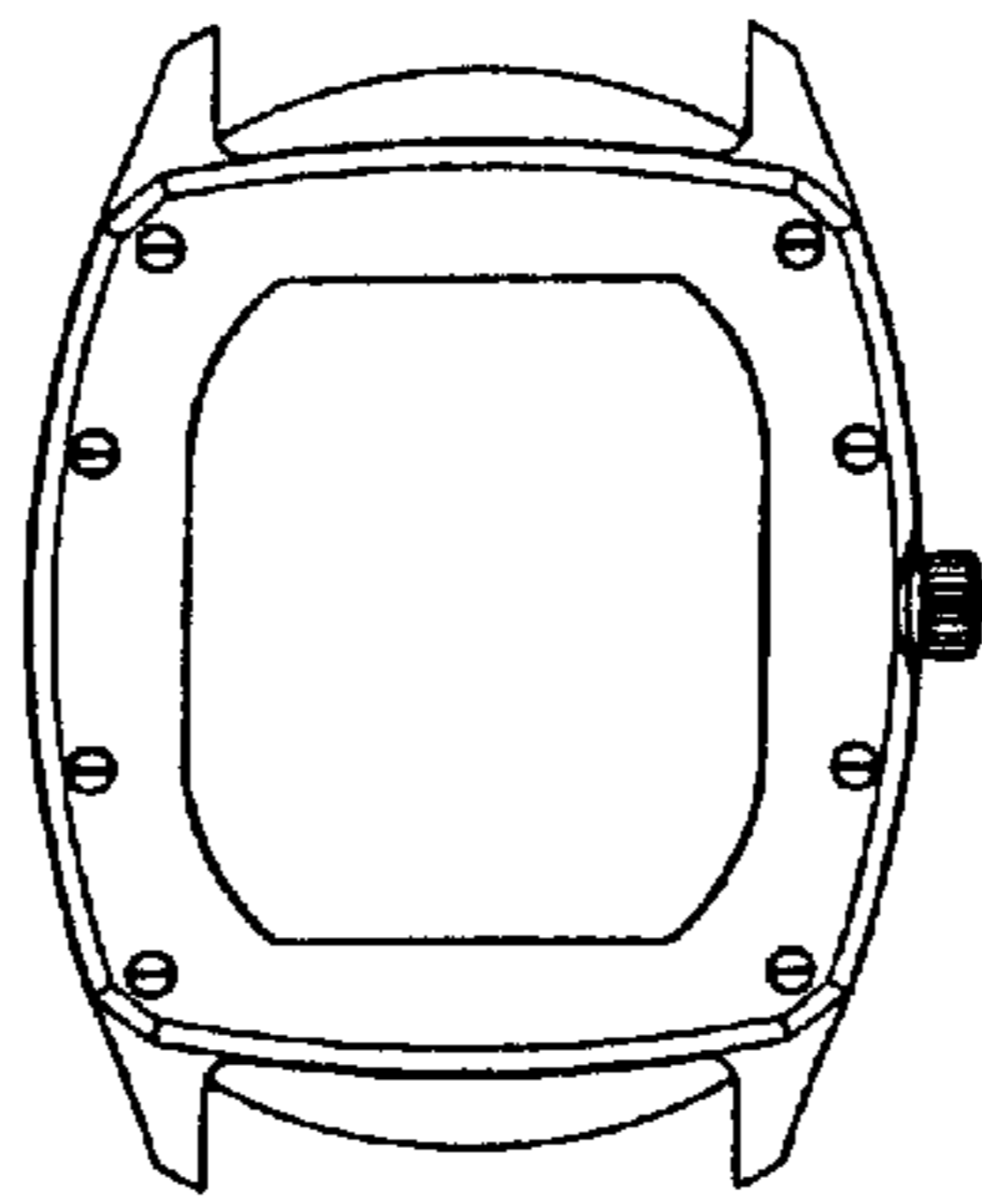


Figure 2

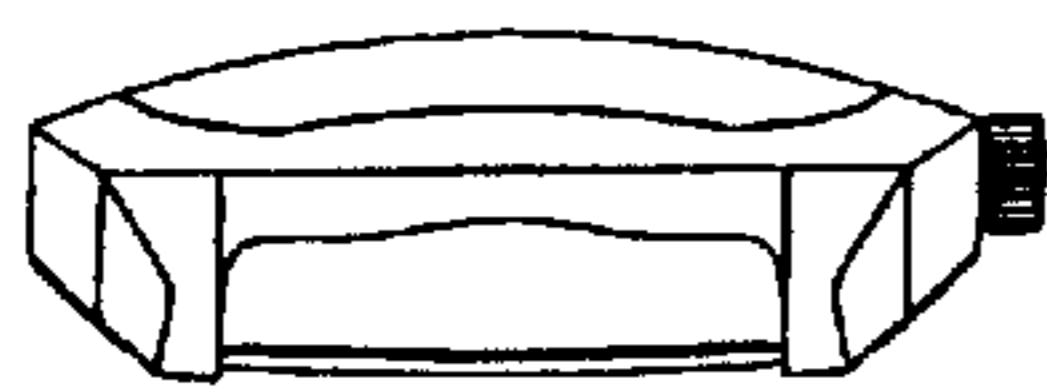


Figure 3

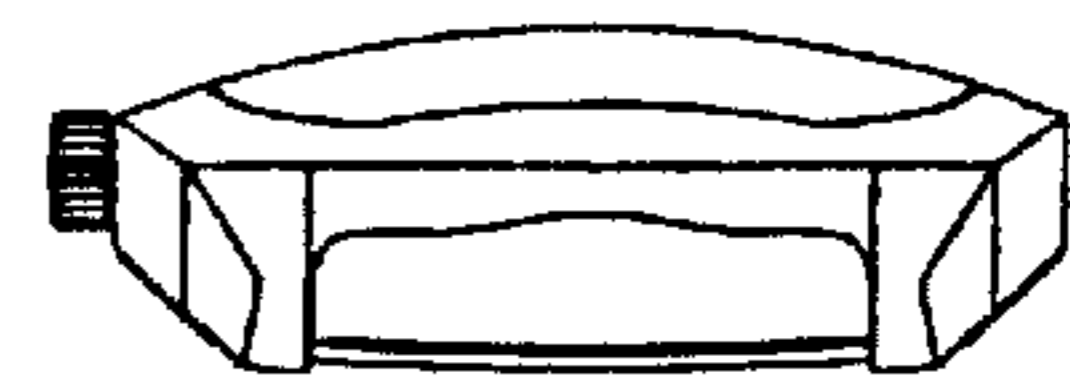


Figure 4

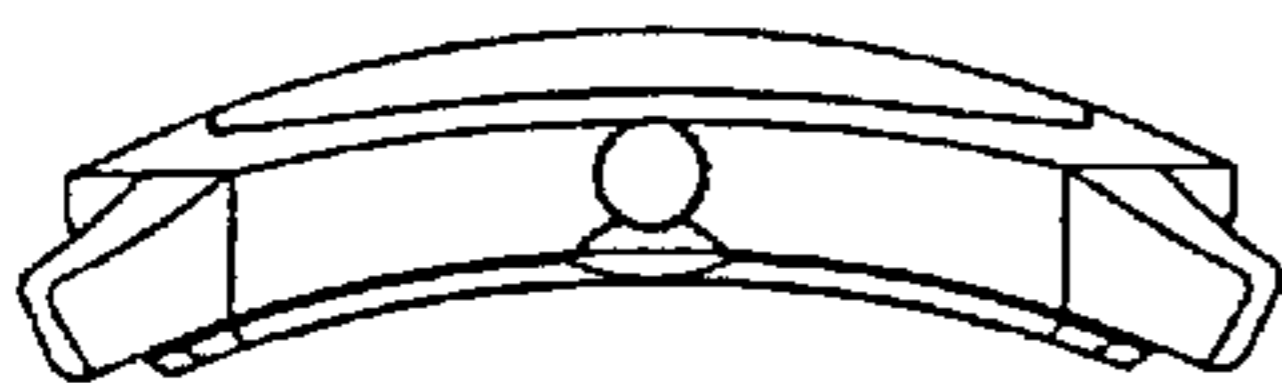


Figure 5

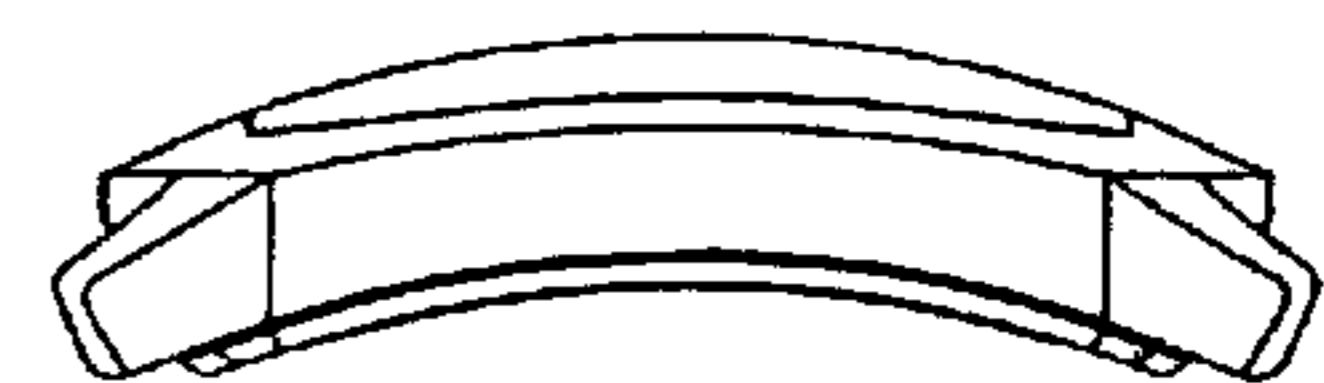


Figure 6

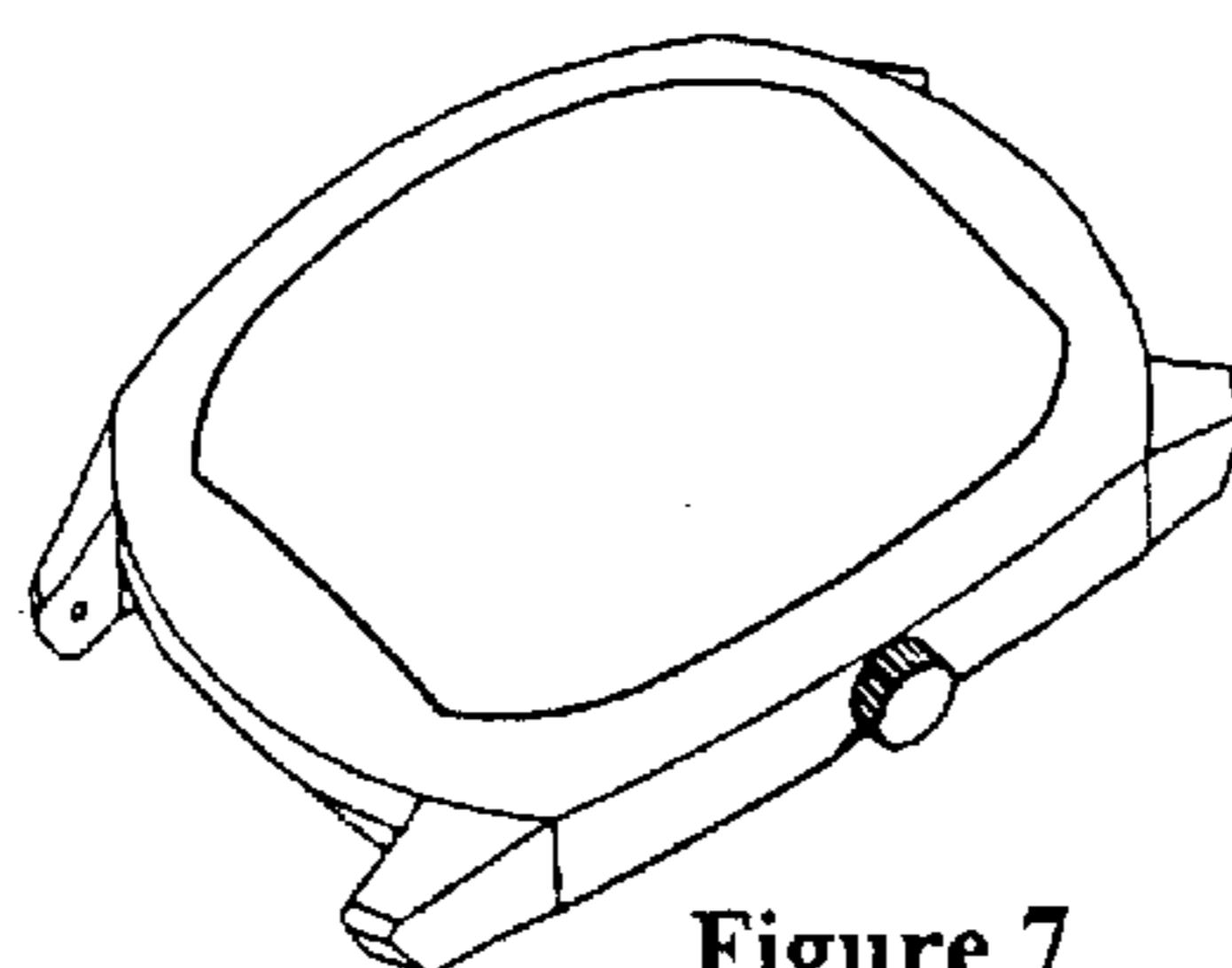


Figure 7