



US00D474115S

(12) **United States Design Patent**  
**Walsh et al.**

(10) **Patent No.:** **US D474,115 S**

(45) **Date of Patent:** **\*\* May 6, 2003**

(54) **CONTAINER**

(75) Inventors: **Michael J. Walsh**, Chesterfield, MO (US); **Jeffrey A. Schutte**, University City, MO (US); **Douglas W. Newman**, St. Charles, MO (US); **Mark Gilbertson**, Sauk City, WI (US); **Scott G. Manke**, Sun Prairie, WI (US); **Michael J. Brock**, Madison, WI (US)

(73) Assignee: **Masterchem Industries, Inc.**, Imperial, MO (US)

(\*\*) Term: **14 Years**

(21) Appl. No.: **29/157,504**

(22) Filed: **Mar. 20, 2002**

(51) **LOC (7) Cl.** ..... **09-01**

(52) **U.S. Cl.** ..... **D9/532; D9/424; D9/528**

(58) **Field of Search** ..... D9/414, 422, 426, D9/432, 424, 532, 560, 530, 539, 540, 523, 528; 220/570, 601, 675, 696, 766, 761; 215/382-385

(56) **References Cited**

**U.S. PATENT DOCUMENTS**

2,120,487 A	6/1938	Conner	
3,438,480 A *	4/1969	Chabrelot	220/741 X
D214,360 S *	6/1969	Huber	D9/528
4,033,473 A	7/1977	Raley et al.	
D261,088 S *	10/1981	Akimov et al.	D7/608
D267,631 S	1/1983	Beechuk	
4,380,304 A *	4/1983	Anderson	220/782
4,474,303 A *	10/1984	Maccise	220/4.27
4,550,862 A	11/1985	Barker et al.	
4,830,234 A	5/1989	Odet	
4,890,770 A	1/1990	Haga et al.	
D311,334 S *	10/1990	Flynn et al.	D9/424
4,984,714 A	1/1991	Sledge	
D323,456 S	1/1992	Gonda	
5,108,009 A	4/1992	Davidson et al.	
5,269,438 A *	12/1993	Kelsey	220/766

5,299,710 A	4/1994	Welsch et al.	
D351,792 S *	10/1994	Morris	D9/425
5,377,858 A *	1/1995	Morris, Sr.	220/601 X
D362,180 S *	9/1995	Haines	D9/424
5,472,121 A	12/1995	Silano	
5,547,091 A	8/1996	Neveras et al.	
5,566,862 A	10/1996	Haffner et al.	
D393,520 S	4/1998	Christy	
5,787,839 A *	8/1998	Magnant et al.	119/51.5
5,823,345 A	10/1998	Nask et al.	
D405,014 S	2/1999	Nask et al.	
D407,973 S *	4/1999	Miller et al.	D9/423
5,893,489 A	4/1999	Giarrante	
D415,687 S	10/1999	Lai et al.	
D428,817 S	8/2000	Olson et al.	
D431,472 S	10/2000	Cain et al.	
6,223,945 B1	5/2001	Giblin et al.	
D446,012 S *	8/2001	Ashiwa et al.	D3/273
D462,012 S *	8/2002	Manderfield, Jr.	D9/530
2002/0195471 A1	12/2002	Nottingham et al.	

\* cited by examiner

*Primary Examiner*—Ted Shooman  
*Assistant Examiner*—Carol Rademaker  
(74) *Attorney, Agent, or Firm*—Foley & Lardner

(57) **CLAIM**

The ornamental design for a container, as shown and described.

**DESCRIPTION**

FIG. 1 is a perspective view of a container; FIG. 2 is a front view of the design of FIG. 1; FIG. 3 is rear view of the design of FIG. 1; FIG. 4 is a right view of the design of FIG. 1, the left plan view being a mirror image; FIG. 5 is top view of the design of FIG. 1; and, FIG. 6 is a bottom view of the design of FIG. 1. The ornamental design which is claimed is shown in solid lines in the drawings. The broken lines in the drawings are for illustrative purposes only and form no part of the claimed design.

**1 Claim, 4 Drawing Sheets**

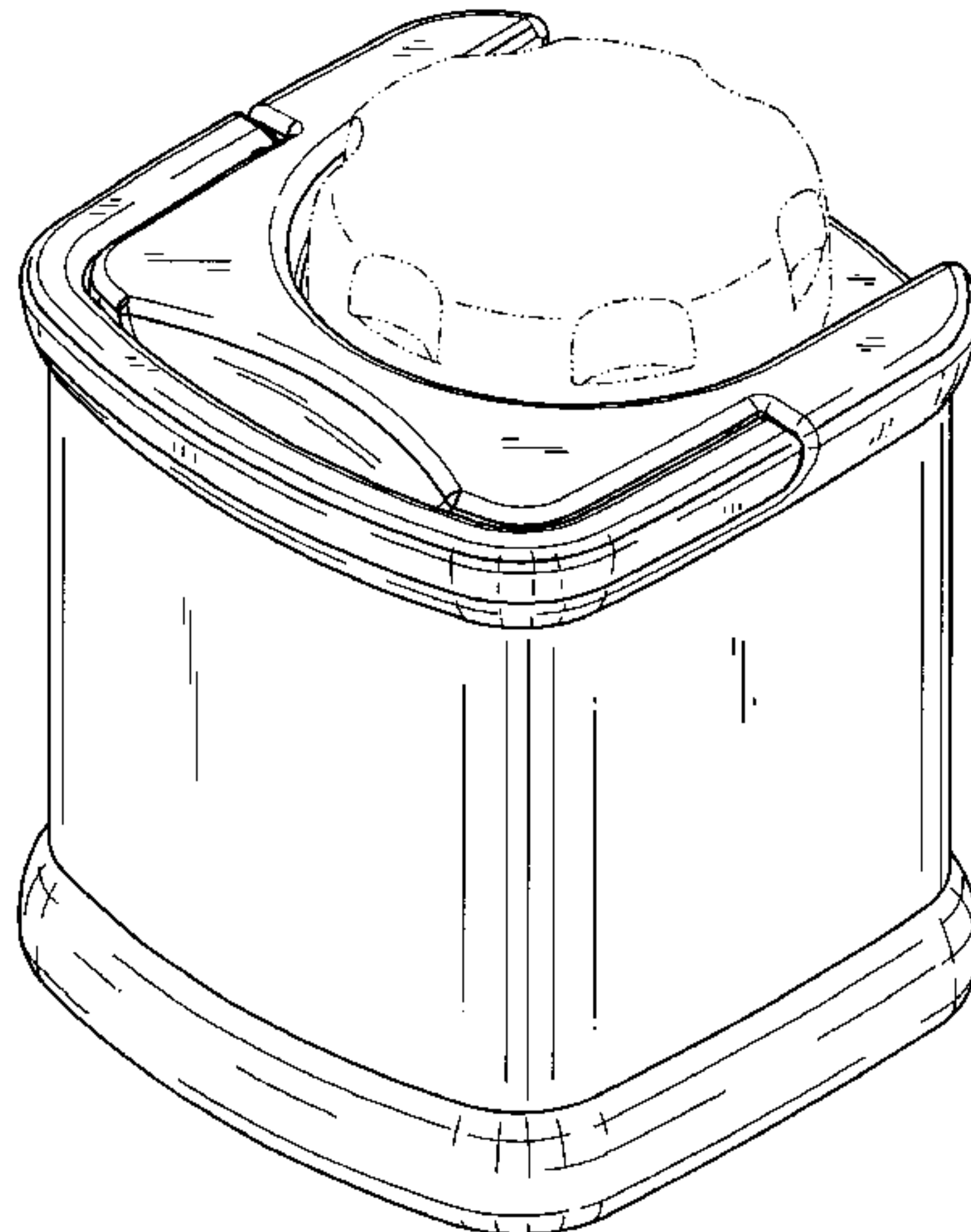


FIG. 1

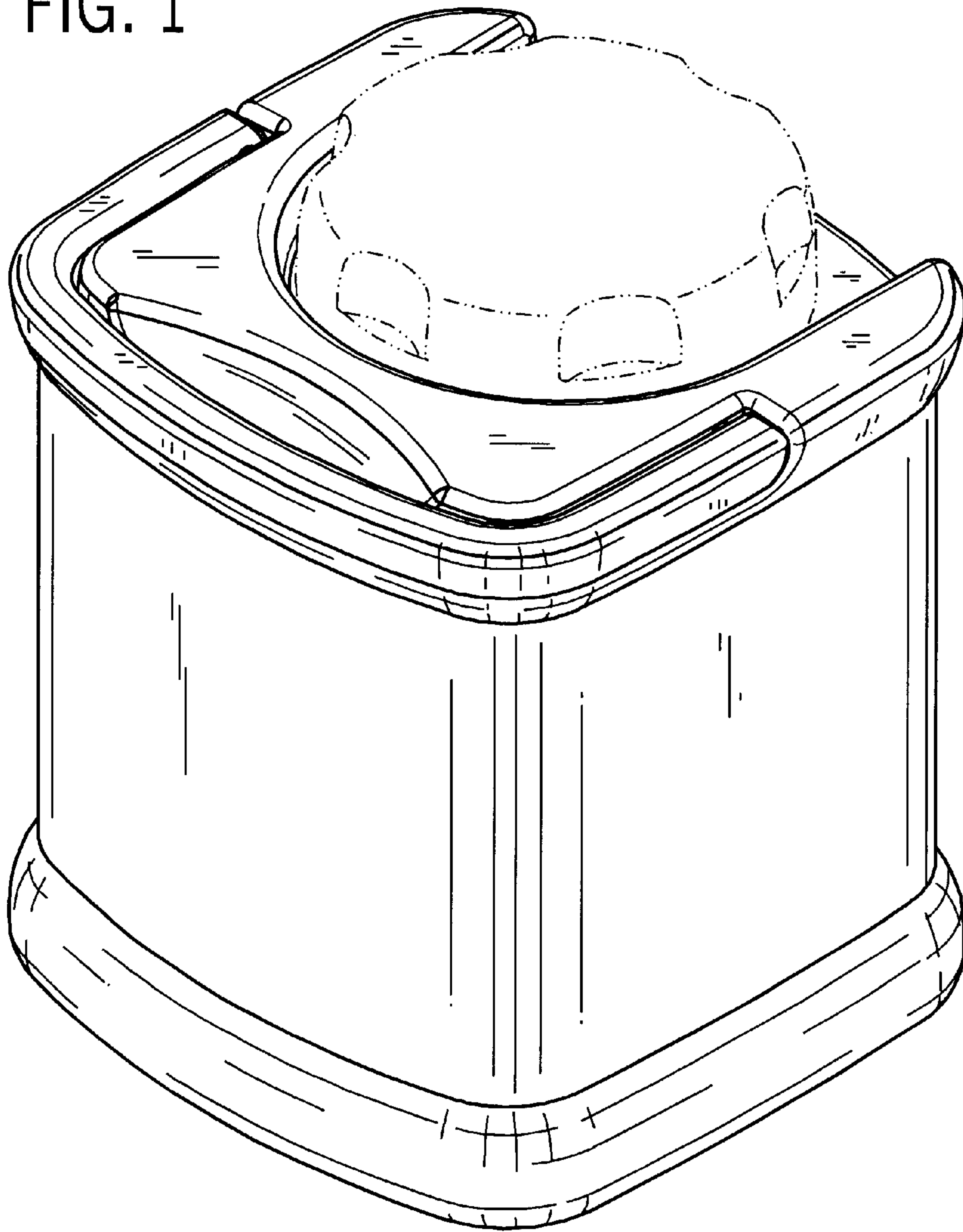


FIG. 2

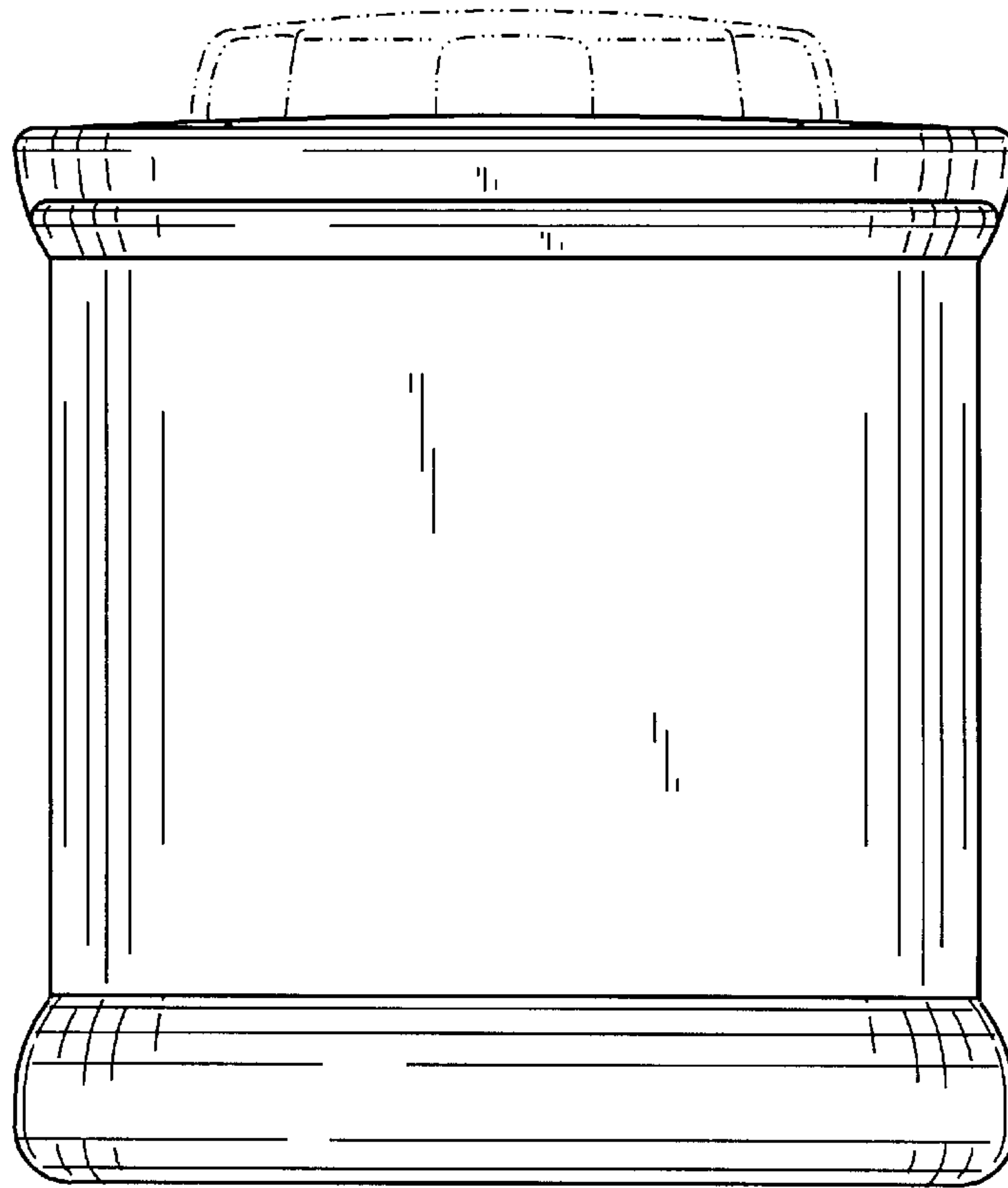


FIG. 3

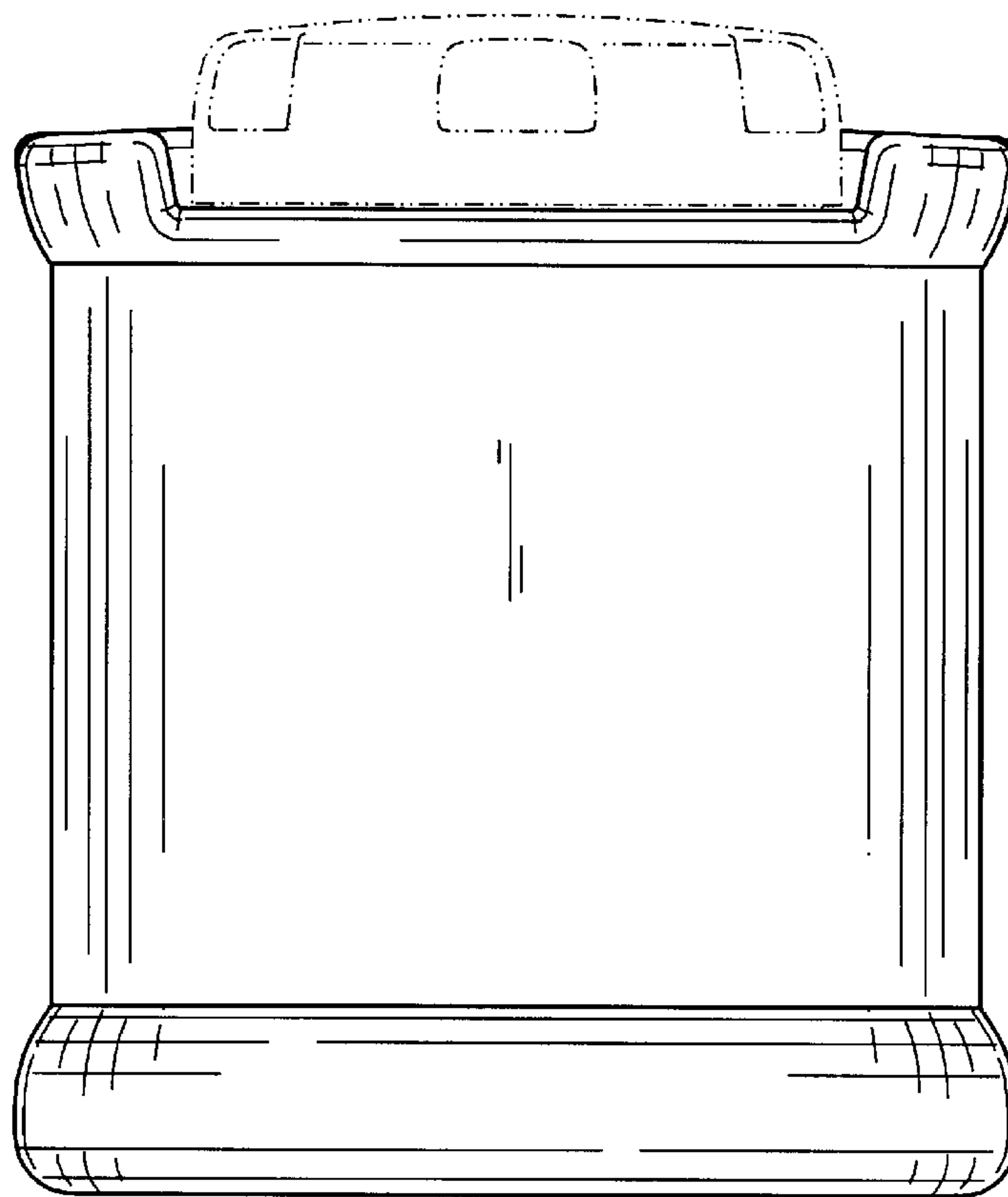


FIG. 4

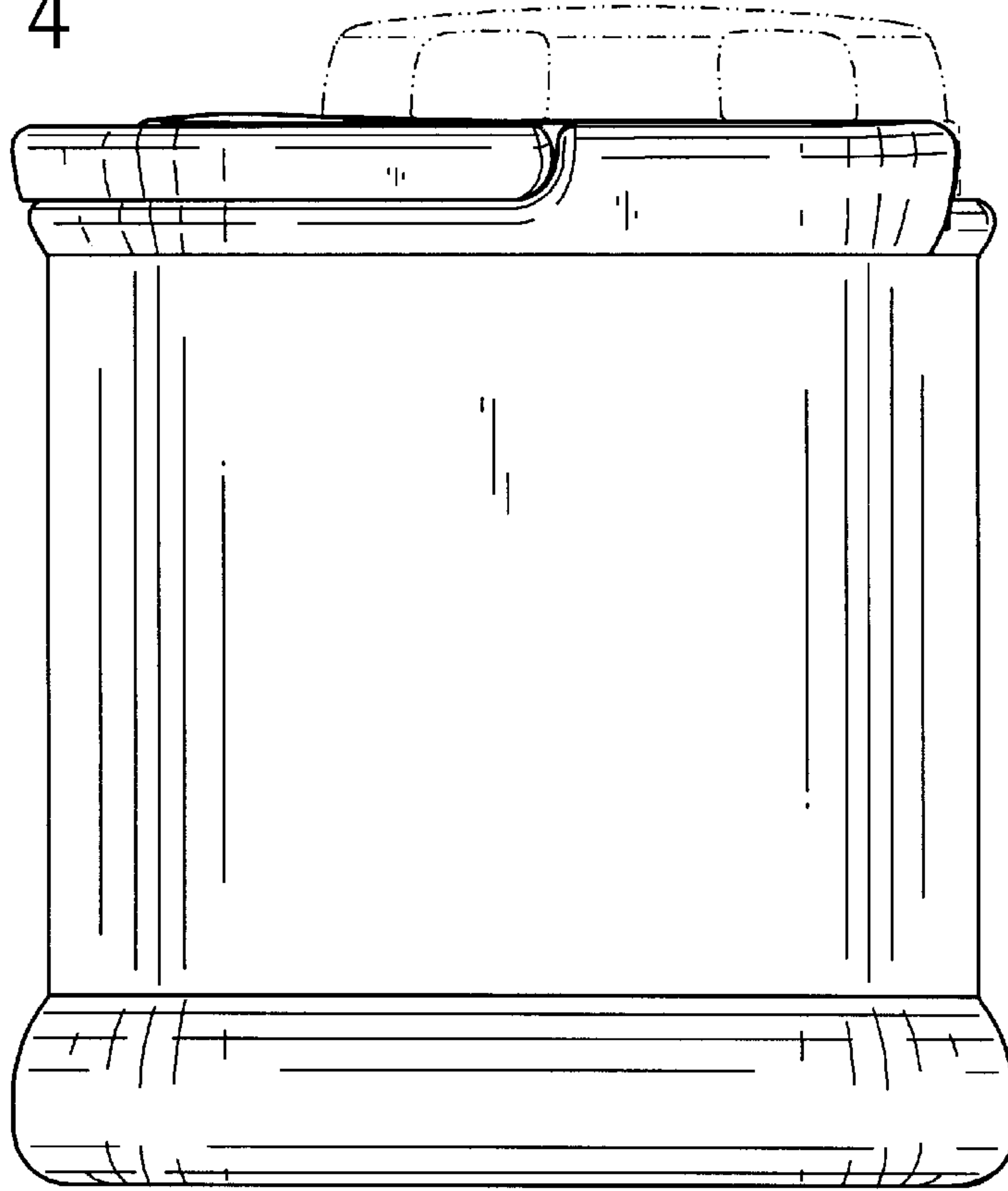


FIG. 5

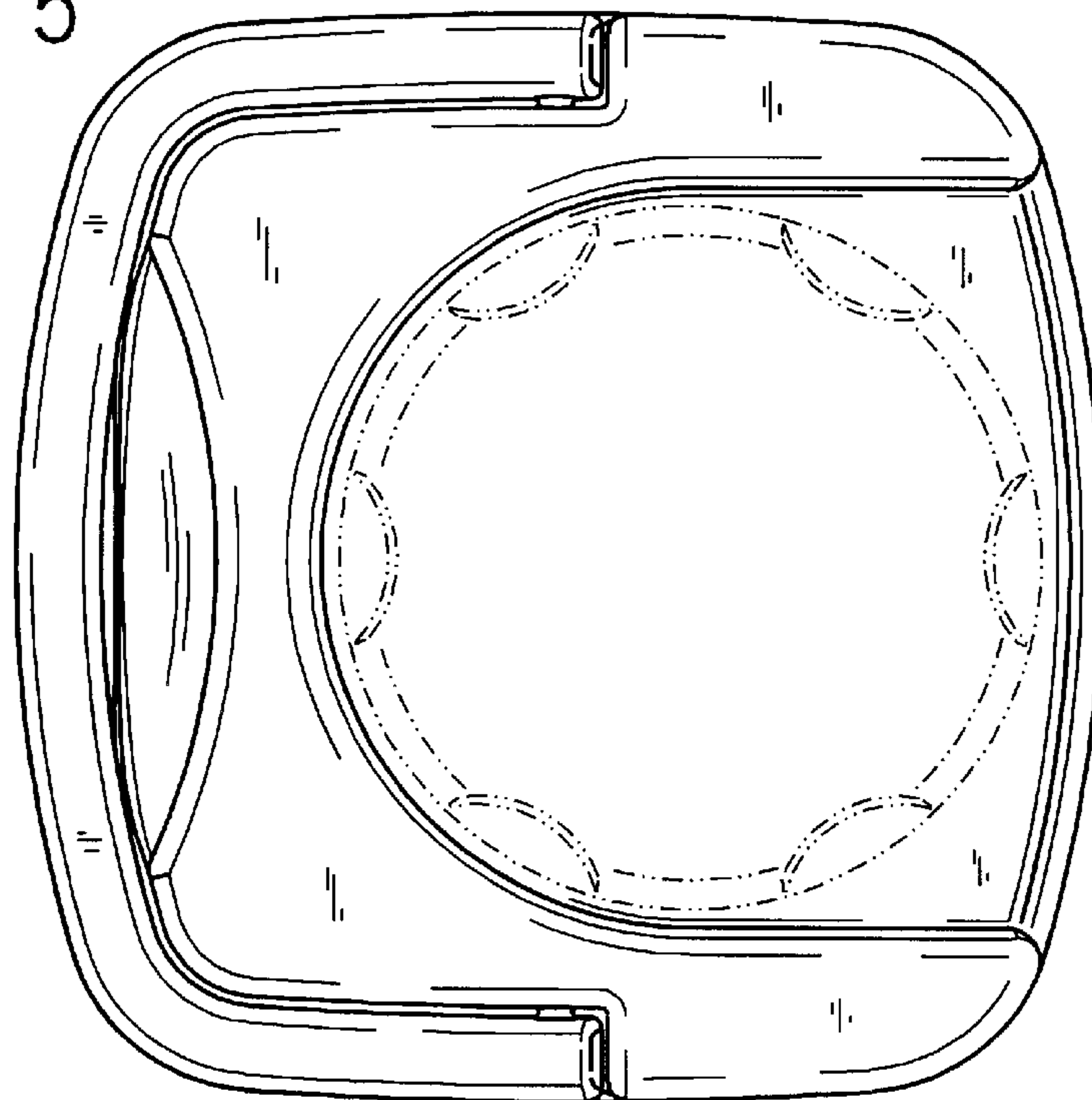


FIG. 6

