



US00D474114S

(12) **United States Design Patent**
Vlahakis et al.

(10) **Patent No.: US D474,114 S**

(45) **Date of Patent: ** May 6, 2003**

(54) **CONTAINER**

(75) Inventors: **E. Van Vlahakis**, Key Largo, FL (US);
John Vlahakis, Winnetka, IL (US);
Hazem Haddad, Huntington Beach, CA
(US); **John Manolas**, Lake Forest, IL
(US)

(73) Assignee: **Venus Laboratories, Inc.**, Wood Dale,
IL (US)

(**) Term: **14 Years**

(21) Appl. No.: **29/163,354**

(22) Filed: **Jul. 2, 2002**

(51) **LOC (7) Cl. 09-01**

(52) **U.S. Cl. D9/531**

(58) **Field of Search** D9/516, 517, 520,
D9/523, 524, 526, 530, 531, 550, 563,
571, 572, 573, 574, 575; 206/527, 822;
215/14, 40, 272, 316, 400; 220/569, 890

(56) **References Cited**

U.S. PATENT DOCUMENTS

D276,890 S * 12/1984 Hancher D9/522
D321,624 S * 11/1991 Fiore et al. D7/321
D389,067 S * 1/1998 Lown D9/543

D403,578 S * 1/1999 Paul et al. D9/434
D416,801 S * 11/1999 Macauley et al. D9/523
D424,946 S * 5/2000 Alsup D9/528
D427,912 S * 7/2000 Johnson et al. D9/528
D454,070 S * 3/2002 Crawford et al. D9/528
D462,012 S * 8/2002 Manderfield, Jr. D9/530

* cited by examiner

Primary Examiner—Ted Shooman

Assistant Examiner—Daniel Bui

(74) *Attorney, Agent, or Firm*—Wallenstein & Wagner, Ltd.

(57) **CLAIM**

We claim the ornamental design for a container, shown and described.

DESCRIPTION

FIG. 1 is a perspective view of the container in accordance with the invention.

FIG. 2 is a view of the right side of the container of FIG. 1.

FIG. 3 is a rear view of the container of FIG. 1.

FIG. 4 is a view of the left side of the container of FIG. 1.

FIG. 5 is a front view of the container of FIG. 1.

FIG. 6 is a top view of the container of FIG. 1; and,

FIG. 7 is a bottom view of the container of FIG. 1.

The broken line is for illustrative purposes only and forms no part of the claimed design.

1 Claim, 4 Drawing Sheets

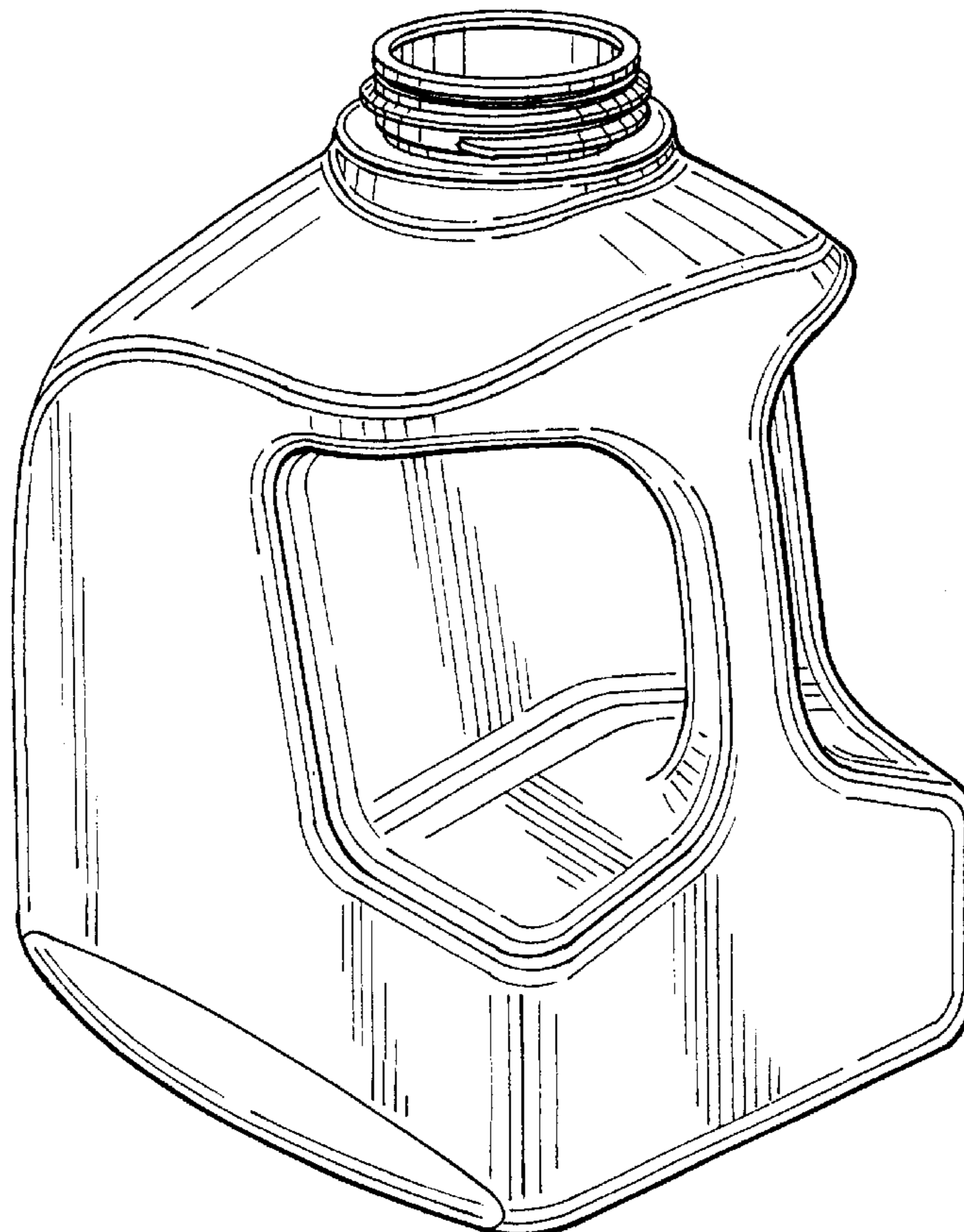


FIG. 1

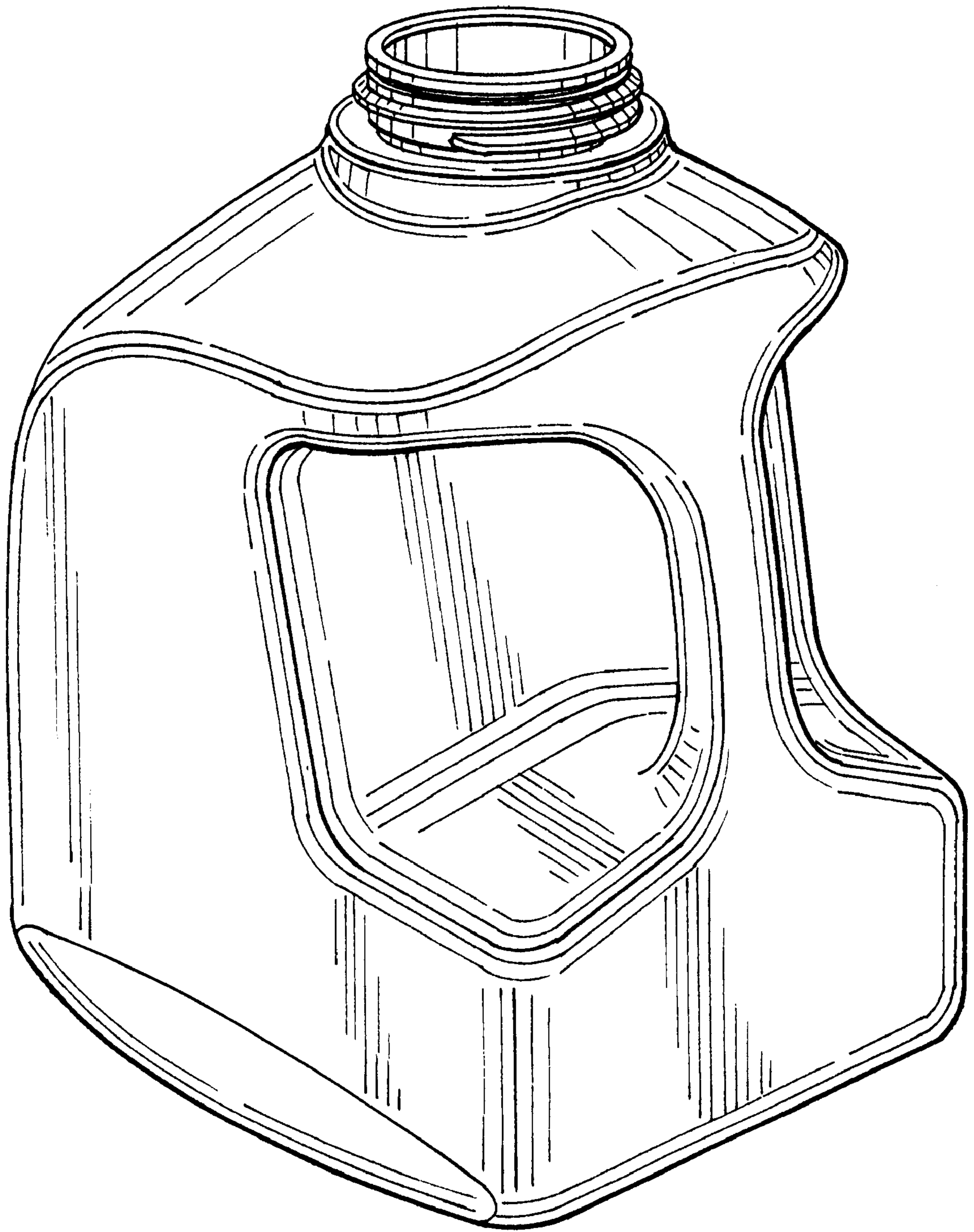


FIG.3

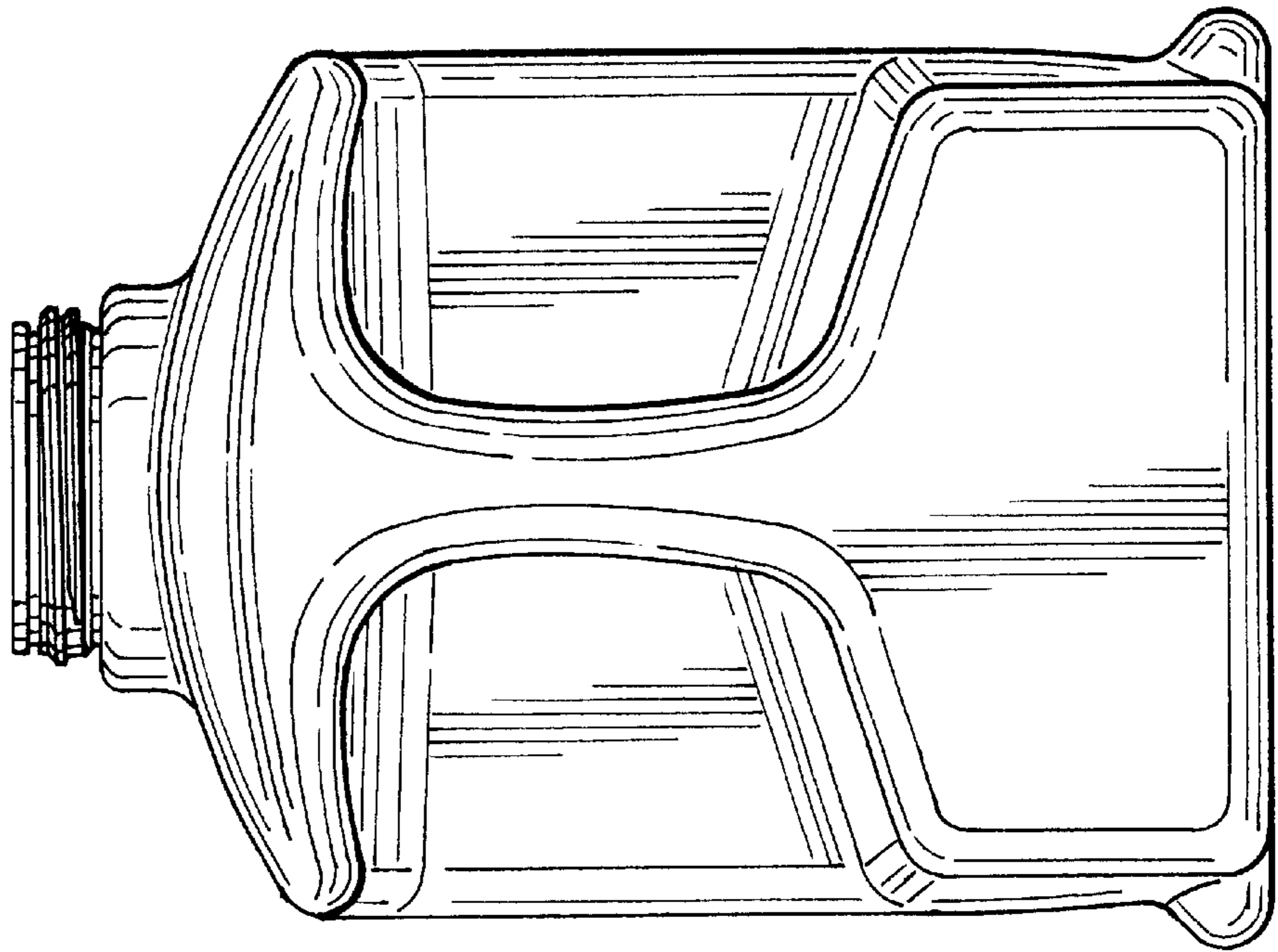


FIG.2

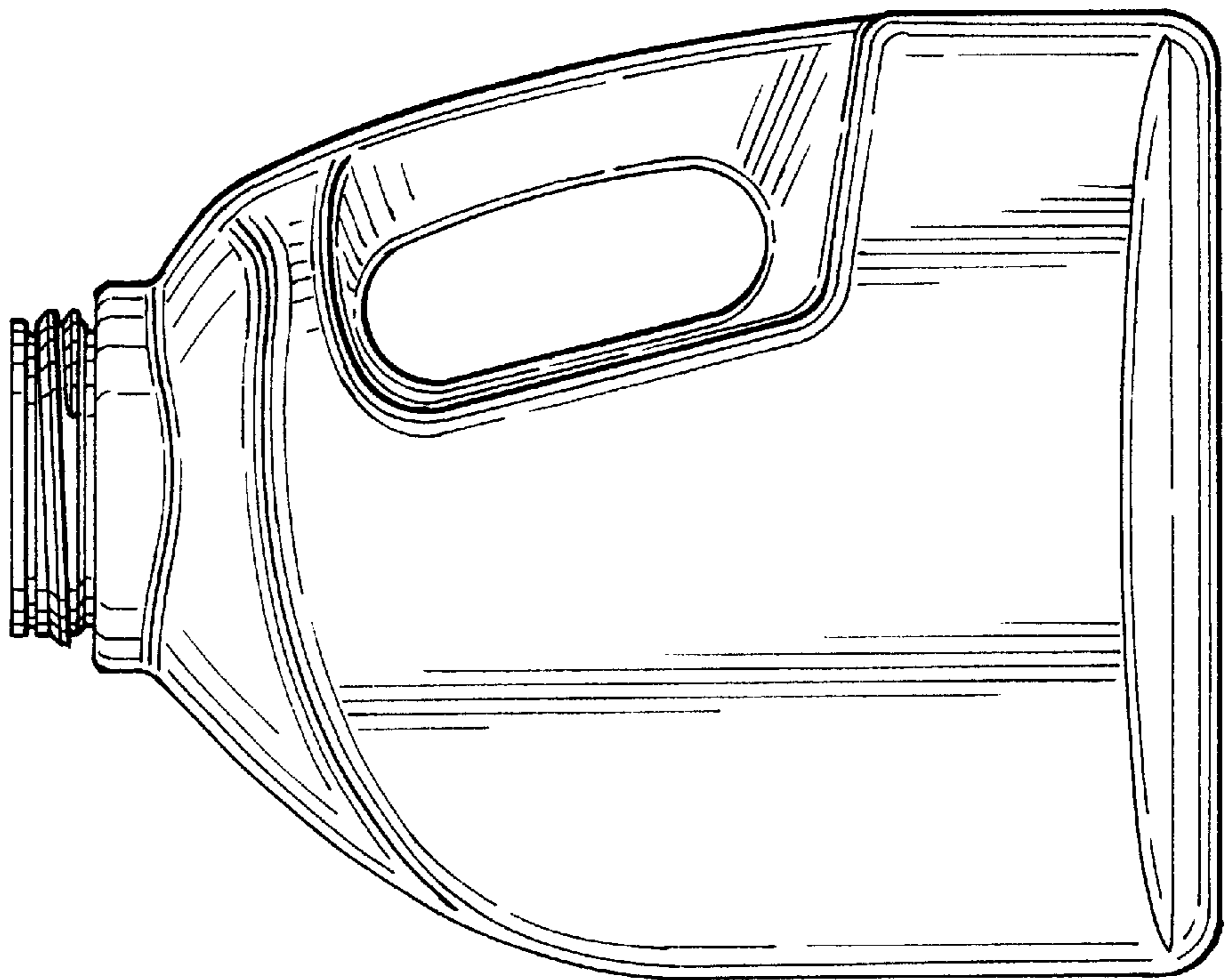


FIG.5

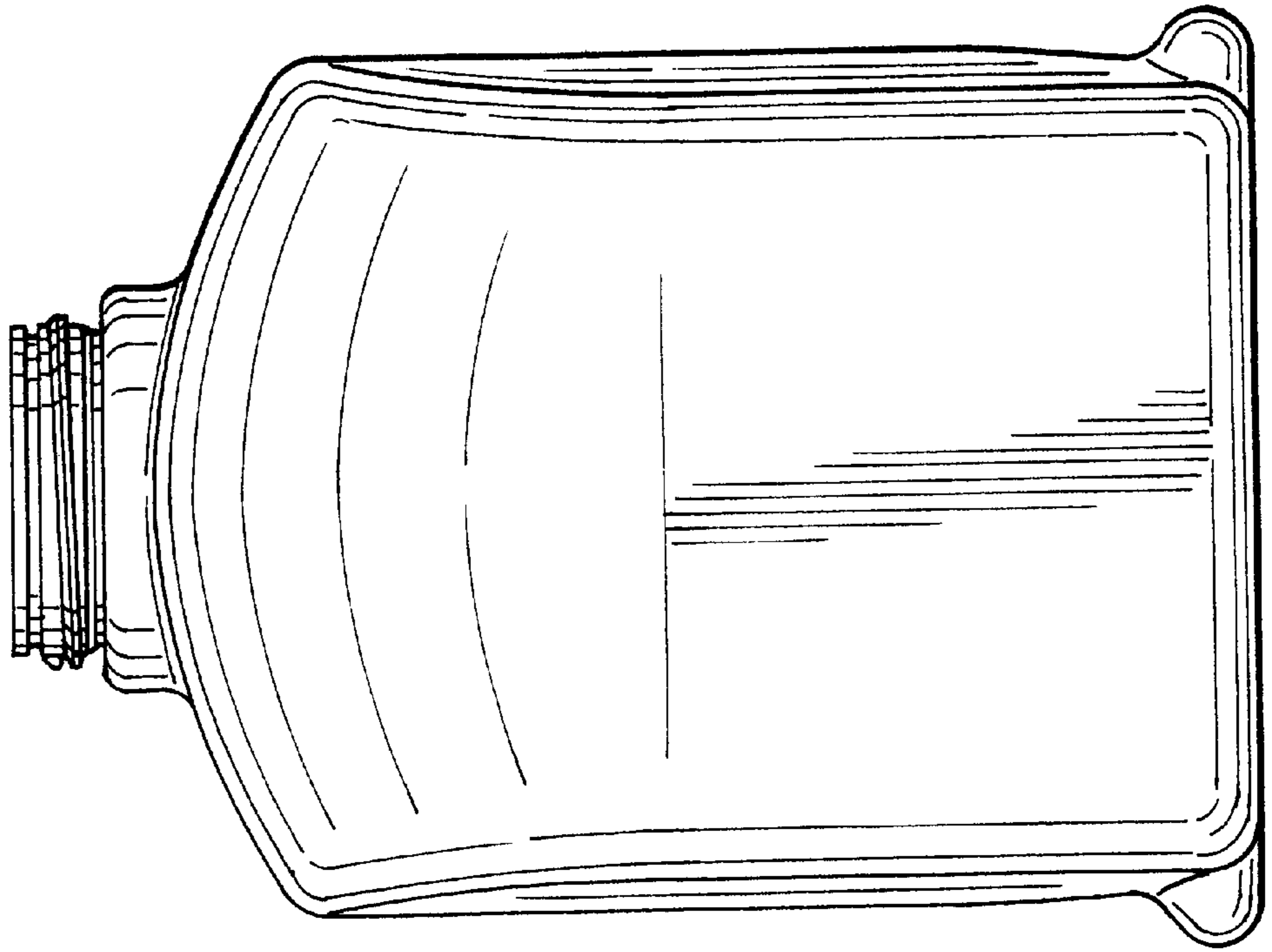


FIG.4

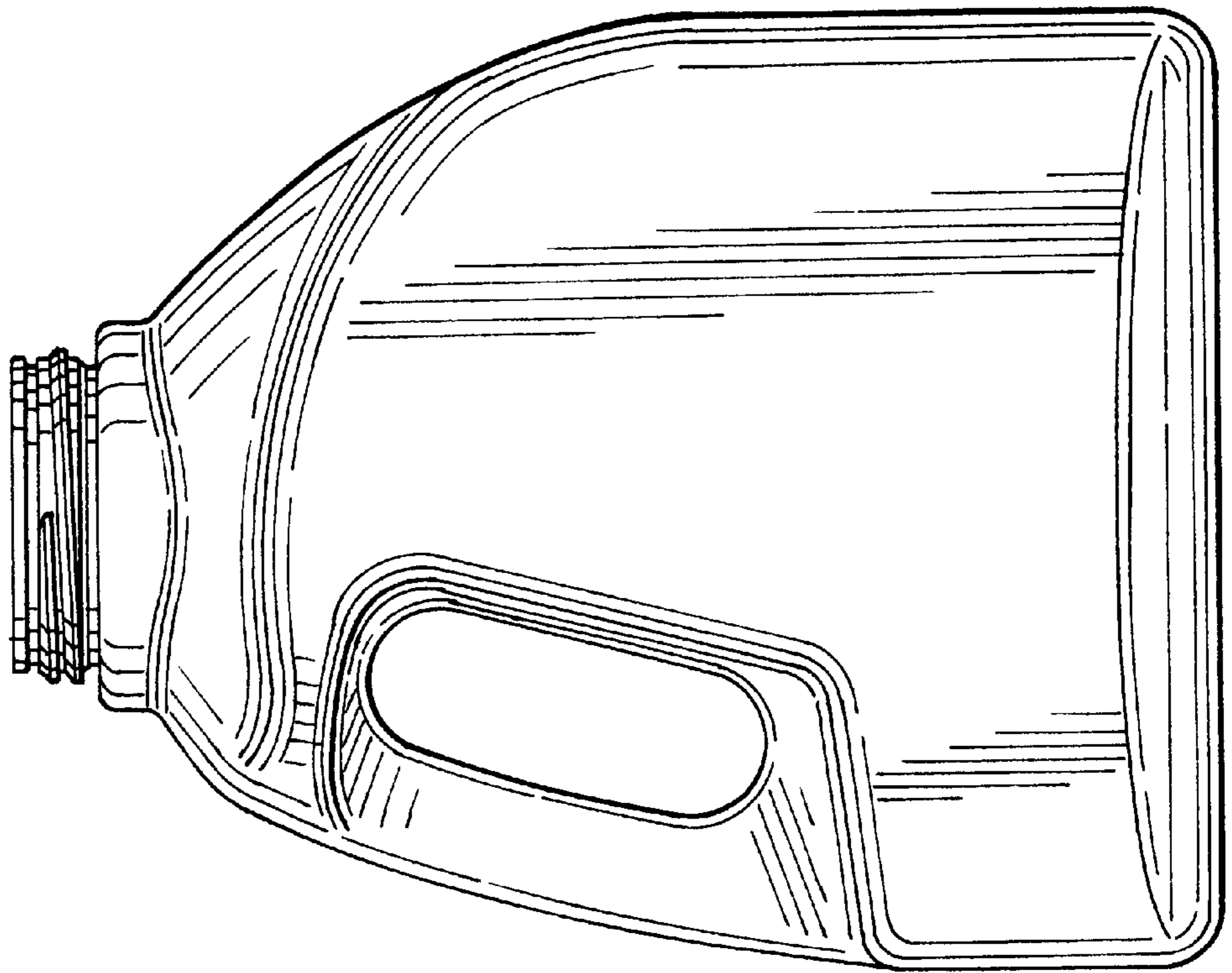


FIG.6

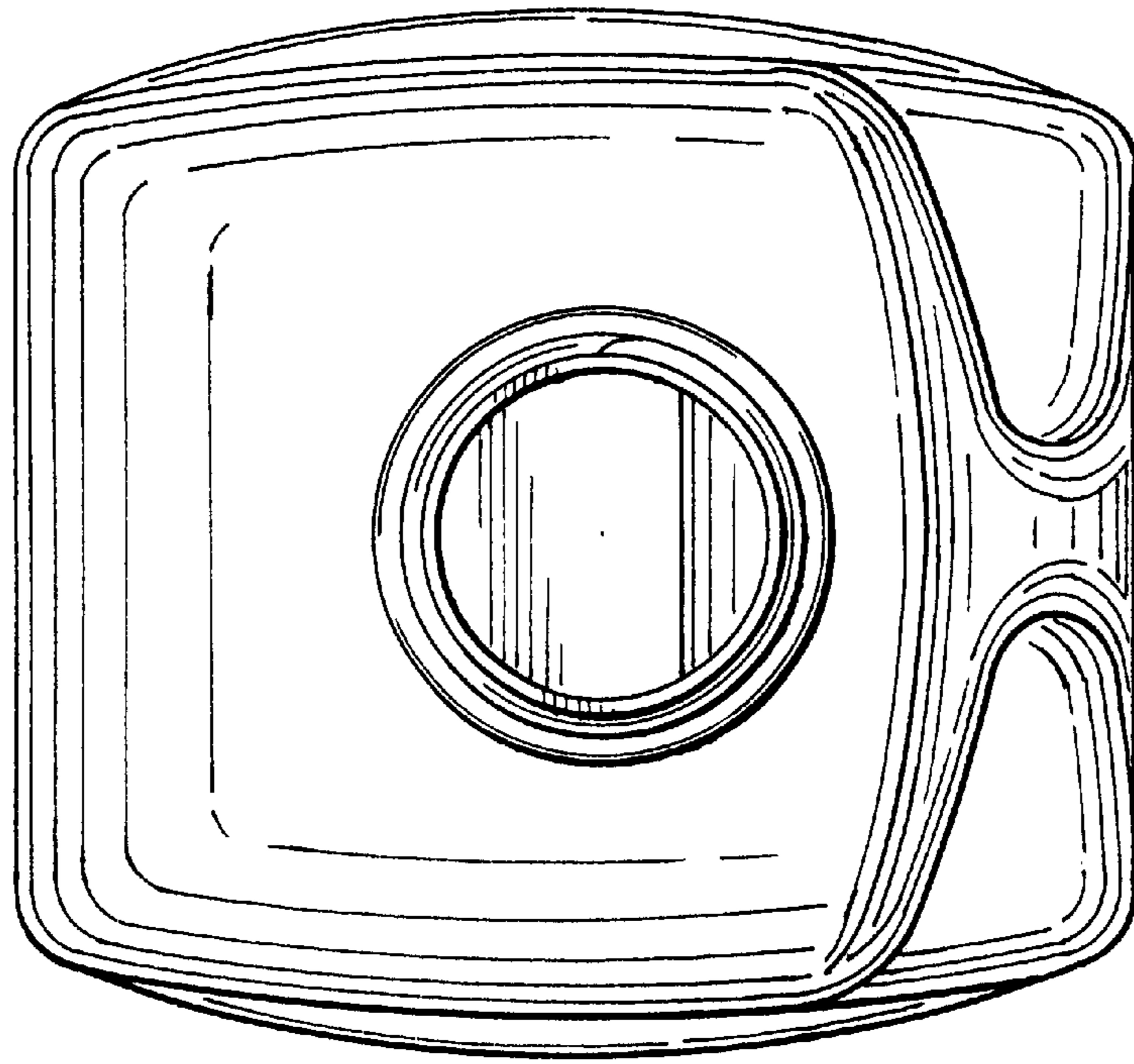


FIG.7

