



US00D474112S

(12) **United States Design Patent** (10) **Patent No.:** **US D474,112 S**
Gerhart et al. (45) **Date of Patent:** **** May 6, 2003**

(54) **SPIGOT AND COLLAR ASSEMBLY**

(75) Inventors: **Mark Douglas Gerhart**, Westminster, MD (US); **Edward John Giblin**, Hopatcong, NJ (US); **George Richard Trepina**, Holland, OH (US); **Eugene Francis Haffner**, Waterville, OH (US); **Gerald Ross Robinson**, Perrysburg, OH (US)

(73) Assignee: **Unilever Home & Personal Care USA, division of Conopco, Inc.**, Greenwich, CT (US)

(**) Term: **14 Years**

(21) Appl. No.: **29/107,636**

(22) Filed: **Jul. 9, 1999**

(51) **LOC (7) Cl.** **09-07**

(52) **U.S. Cl.** **D9/447**

(58) **Field of Search** D9/434, 435, 440,
D9/447, 449, 516, 525; D7/392, 510, 511;
222/518, 519, 559, 562

(56) **References Cited**

U.S. PATENT DOCUMENTS

D30,766 S	5/1899	Lindemeyr	
D140,804 S	* 4/1945	Windbiel D9/447
D202,744 S	11/1965	Greenwell	
D228,888 S	10/1973	Feldman	
D245,577 S	8/1977	Smythe	
D253,750 S	12/1979	Uyeda	
4,345,691 A	8/1982	Burke	
4,452,425 A	6/1984	Lucking	
D277,552 S	2/1985	Kung	
D284,641 S	7/1986	Jones	
4,901,887 A	* 2/1990	Burton D9/449 X
D315,507 S	3/1991	Ochs	
D330,332 S	10/1992	Pezzoli et al.	
5,226,562 A	* 7/1993	Kirk D9/449 X
D339,022 S	9/1993	McGinnis et al.	
5,299,718 A	* 4/1994	Shwery 222/518
D350,672 S	9/1994	Egger et al.	
D352,659 S	11/1994	Nilsson et al.	

D358,330 S	5/1995	Kahl	
D361,037 S	* 8/1995	Jonsson D9/447
5,447,257 A	9/1995	Dark	
D370,379 S	6/1996	Klein et al.	
D373,240 S	* 9/1996	Parnell D7/510
D391,448 S	* 3/1998	Winer et al. D7/510
D410,845 S	* 6/1999	Anderson D9/440
6,003,701 A	12/1999	Hidding et al.	
D419,071 S	1/2000	Peters et al.	

OTHER PUBLICATIONS

Photo of Tide Vent Closure, no date given.
Photo of tap and pressed sleeve combination (used for wine bag-in-box) (top-separate components, bottom-assembled), no date given.
Photo of tap and threaded collar combination (assembled components only), no date given.

(List continued on next page.)

Primary Examiner—Robert M. Spear

(74) *Attorney, Agent, or Firm*—Gerard J. McGowan, Jr.

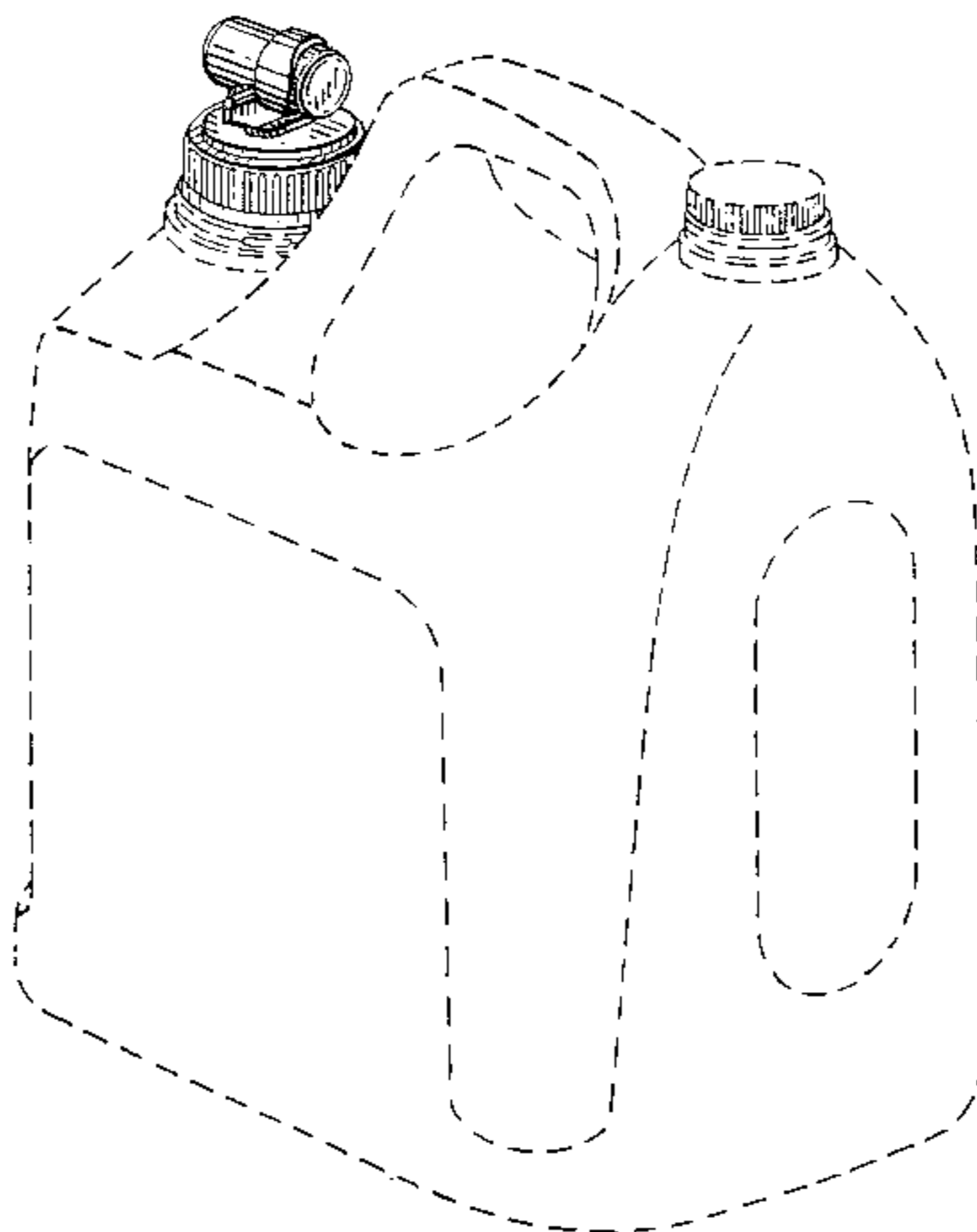
(57) **CLAIM**

The ornamental design for a spigot and collar assembly, substantially as shown and described.

DESCRIPTION

FIG. 1 is a top, rear and left side perspective view of a spigot and collar assembly with a container shown in dotted lines for environmental purposes only and forming no part of the claim;
FIG. 2 is a top plan view of the spigot and collar assembly;
FIG. 3 is a bottom plan view thereof;
FIG. 4 is a front view thereof;
FIG. 5 is a right side view thereof (the left side being a mirror image);
FIG. 6 is a rear view thereof; and,
FIG. 7 is an exploded perspective view of the spigot and collar assembly, with a portion of a container in dotted lines for environmental purposes only and forming no part of the claim. A portion of the collar assembly is shown broken away for clarity of disclosure.

1 Claim, 4 Drawing Sheets



OTHER PUBLICATIONS

Photo of tap, threaded collar and pressed sleeve combination (top-assembled, bottom-separate components), no date given.

Chilton Products 320 Fluid Ounce (2.5 gal.) bottle, sold by a third party prior to invention of the present invention, (photographs of two sides, rear, and top bottom views).

Tide with Bleach Alternative (300 fl. oz) bottle, sold by a third party prior to invention of the present invention, (photographs of front, rear, side, top bottom views).

Coleman square blue container, side and front views.

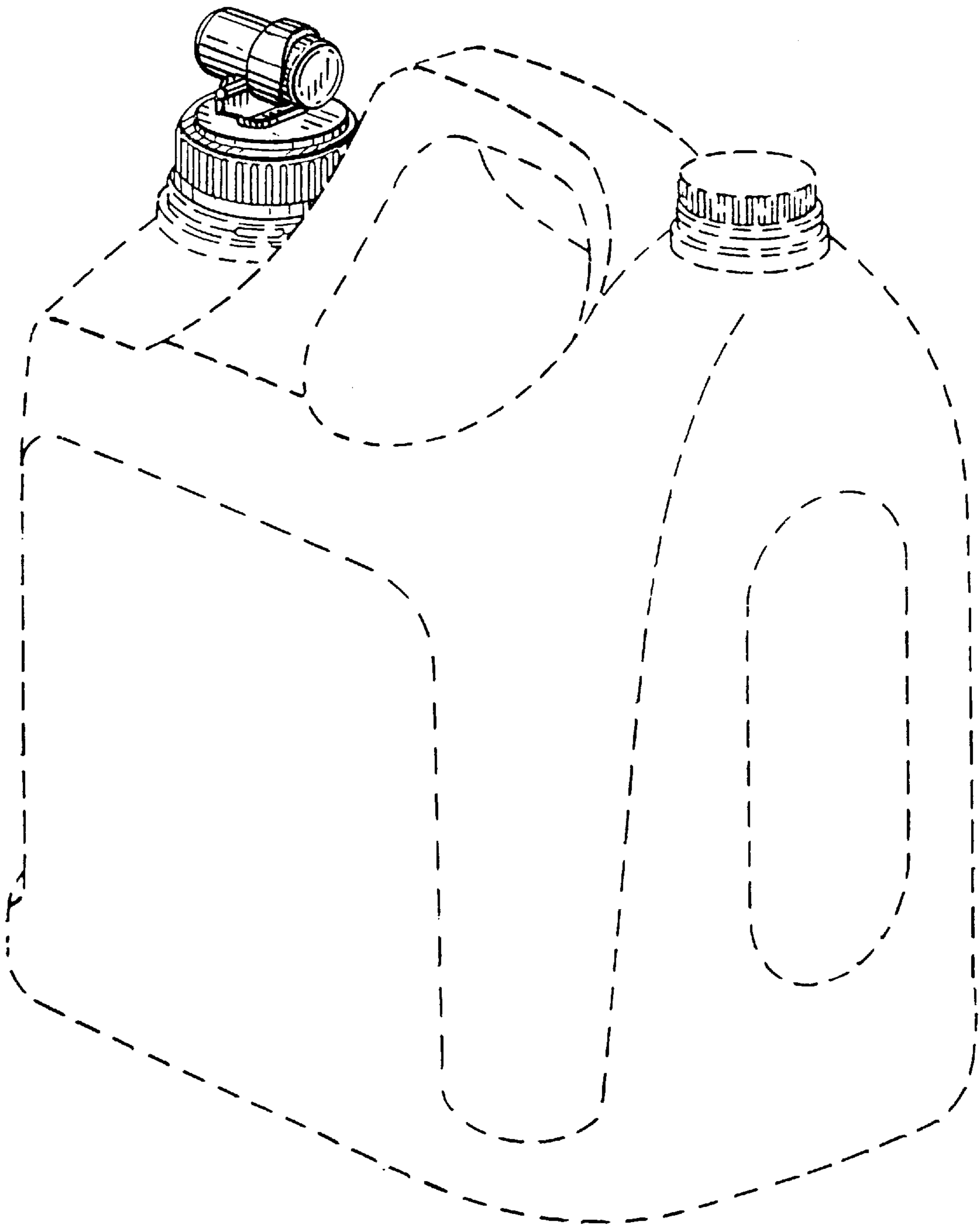
Reliance round blue container, photographs of top, side, bottom and spout (inside).

Aqua-tainer container from internet.

Prior 2 pc. collars.

* cited by examiner

FIG. 1



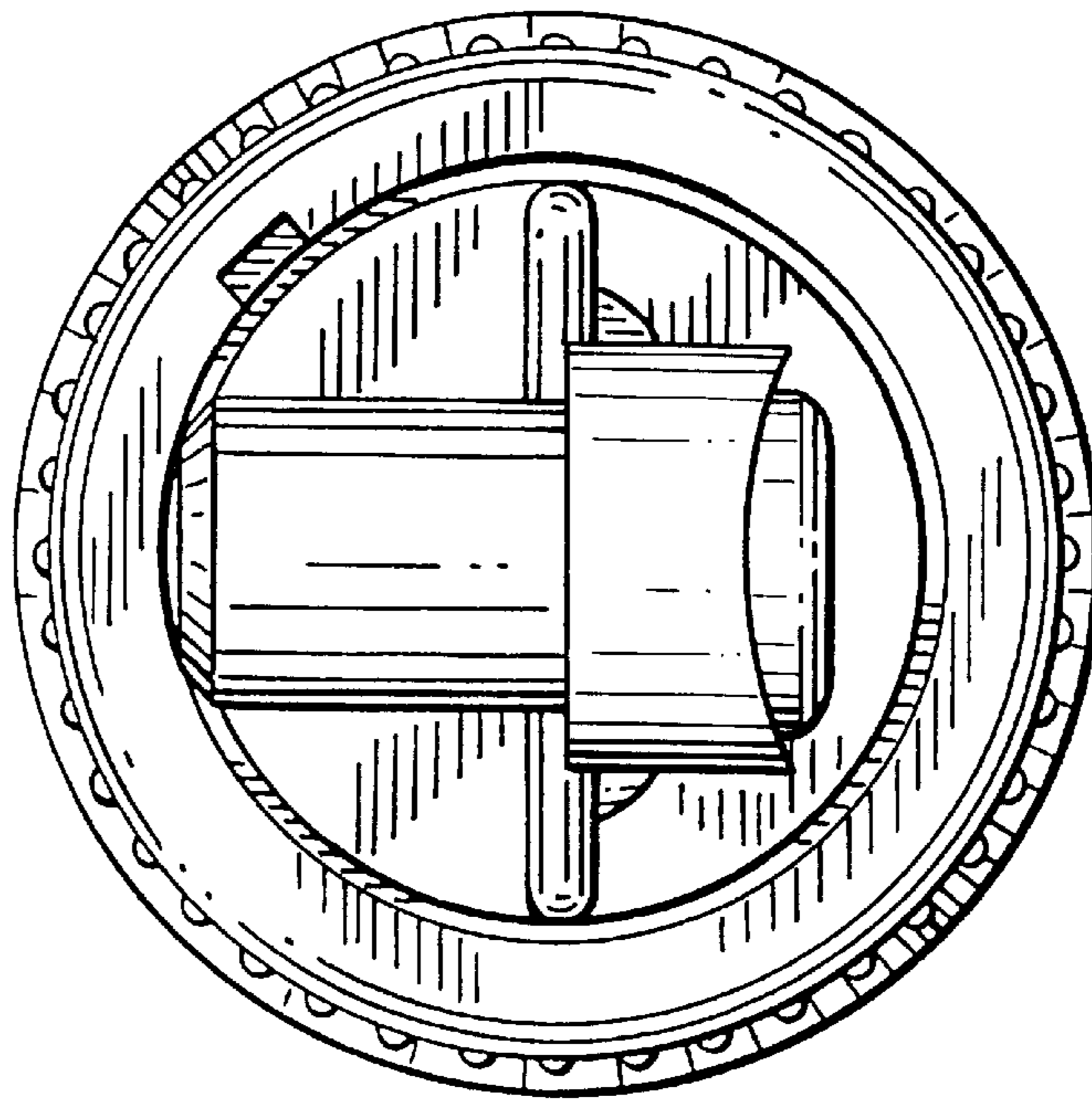


FIG. 2

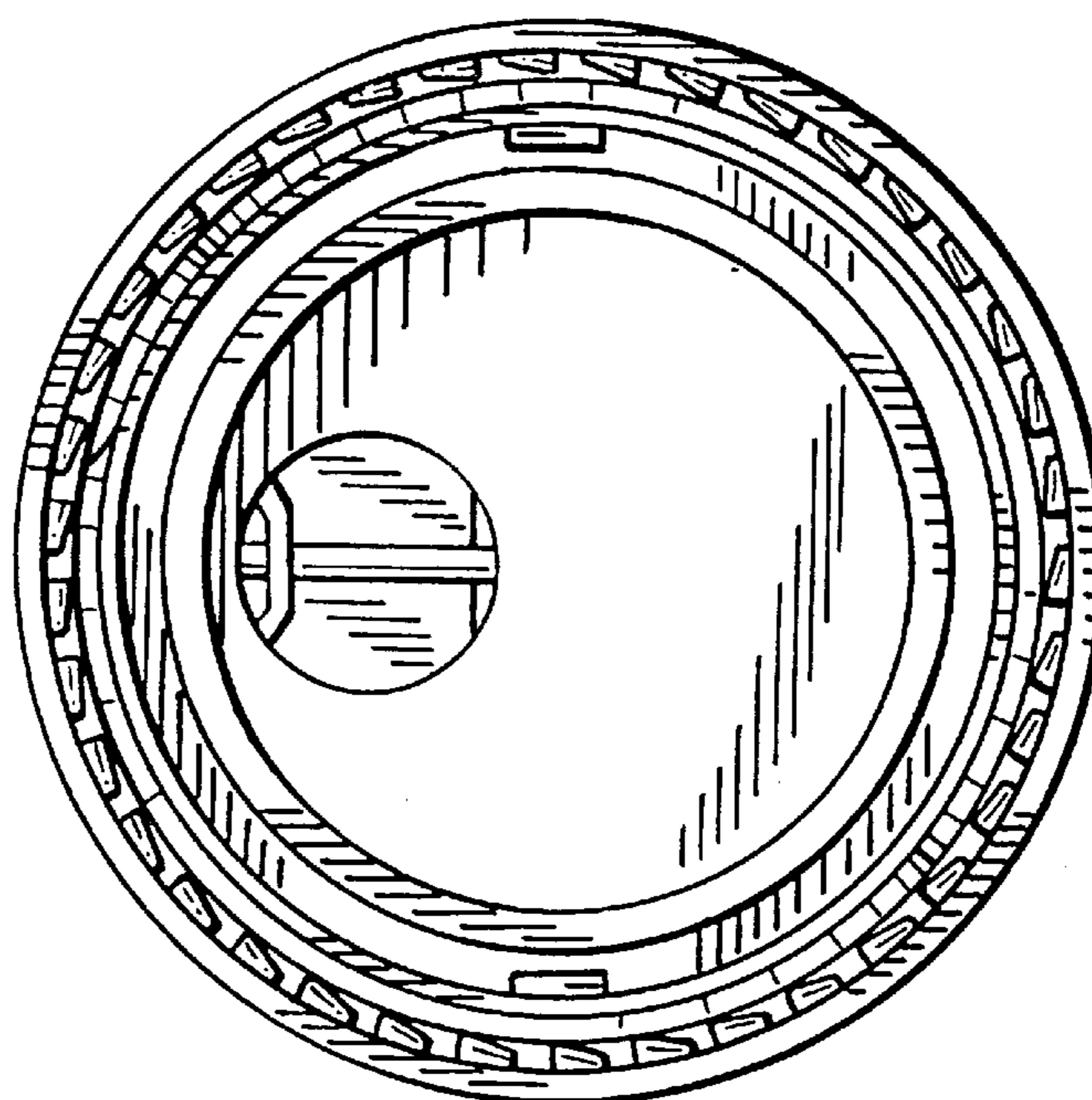


FIG. 3

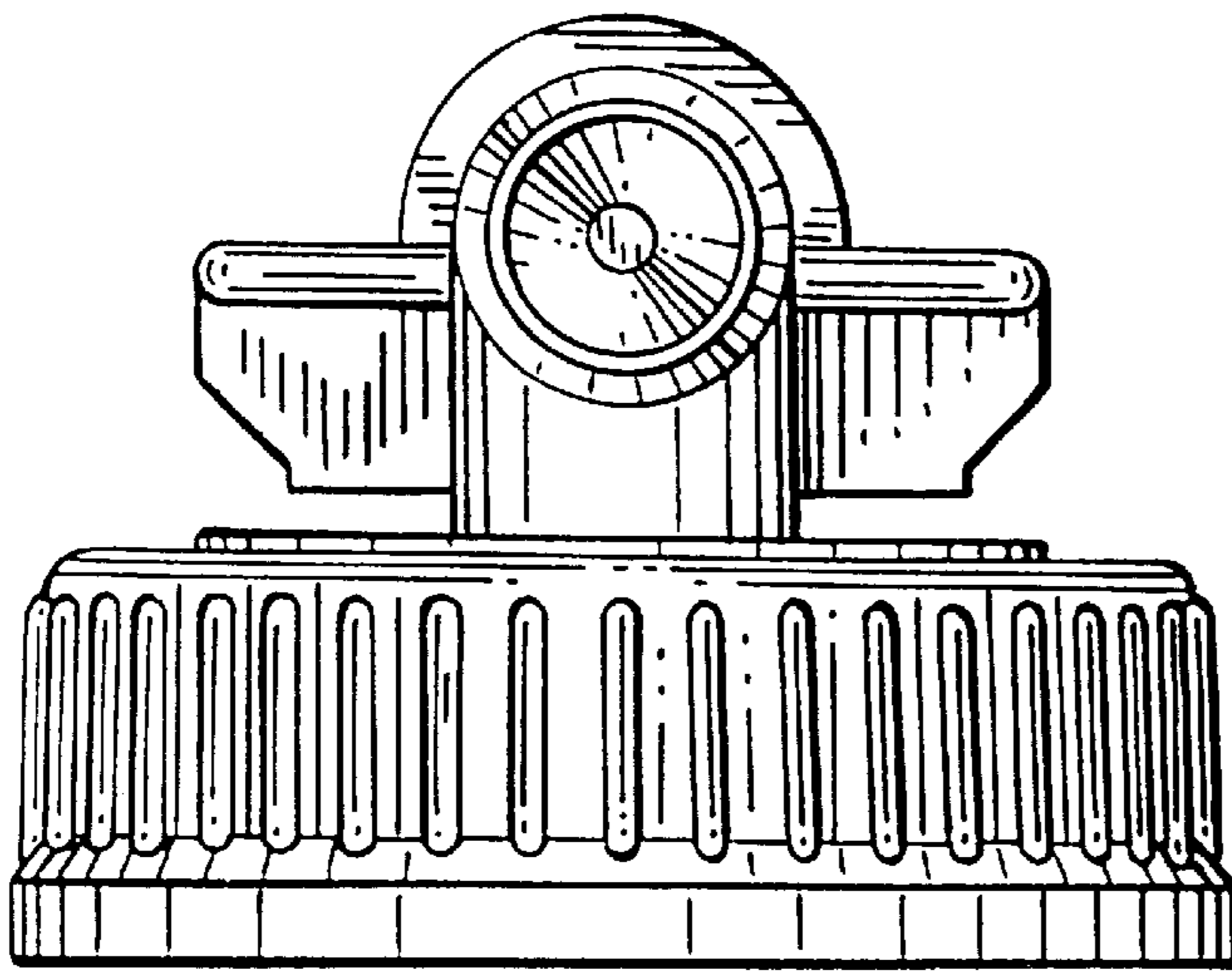


FIG. 4

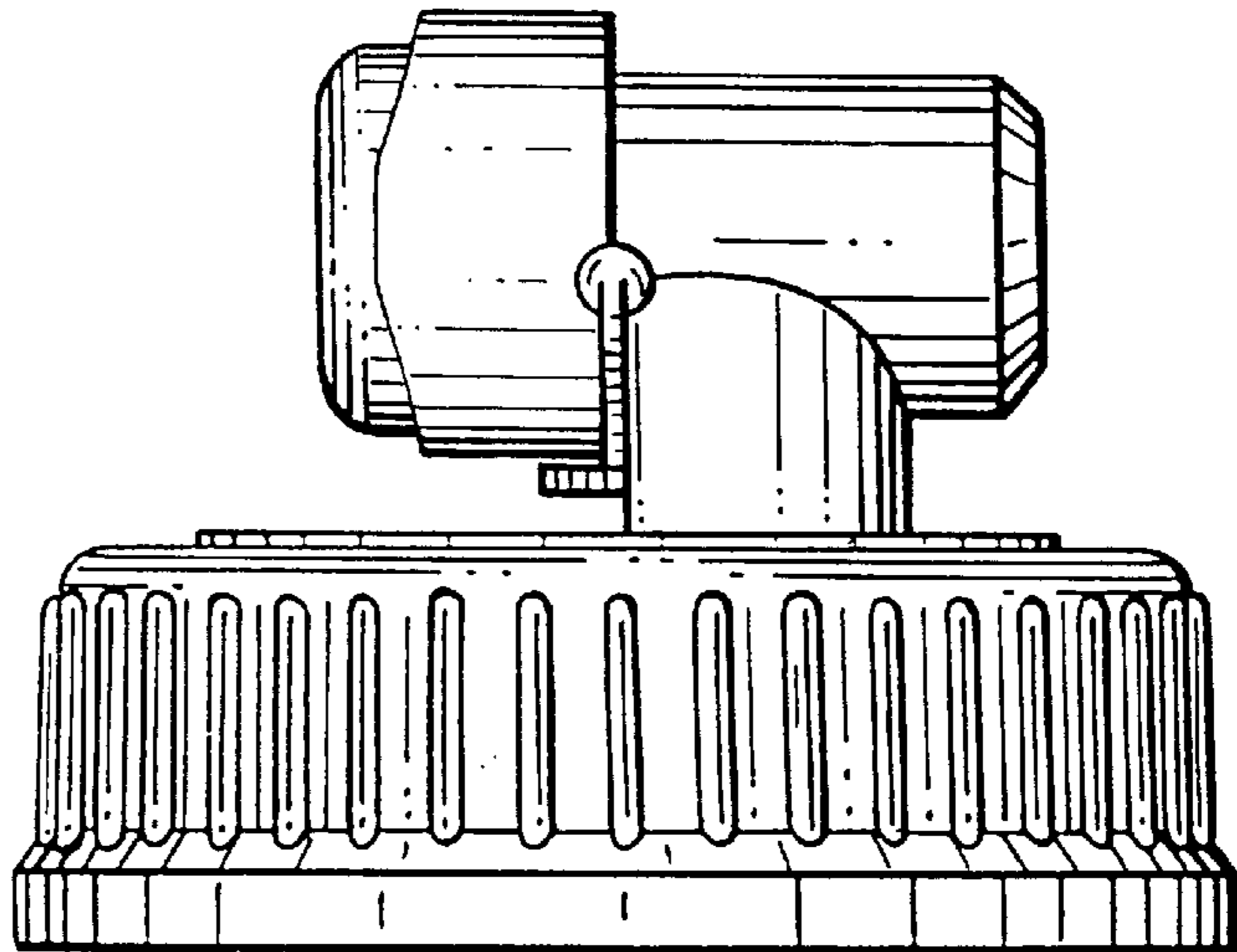


FIG. 5

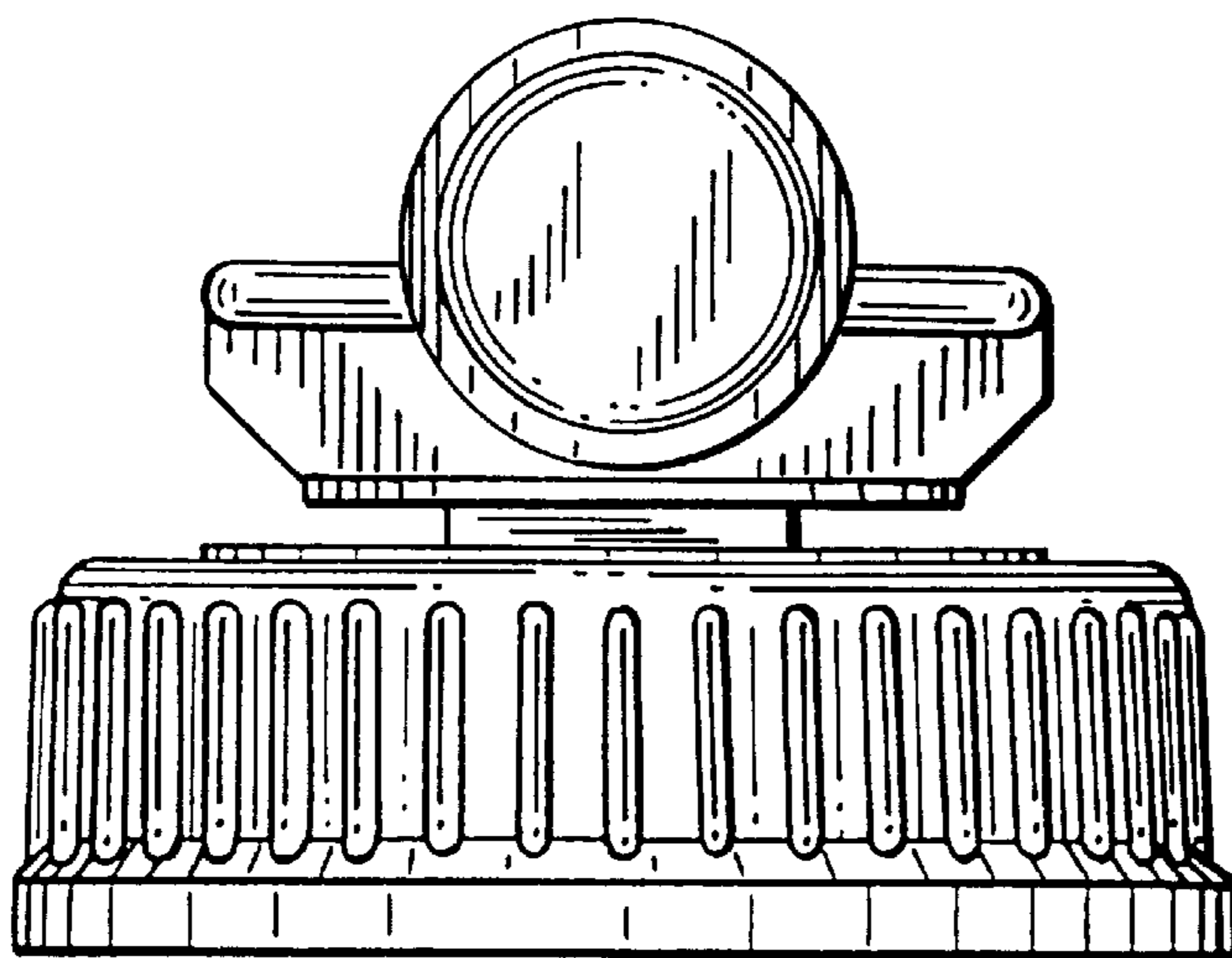


FIG. 6

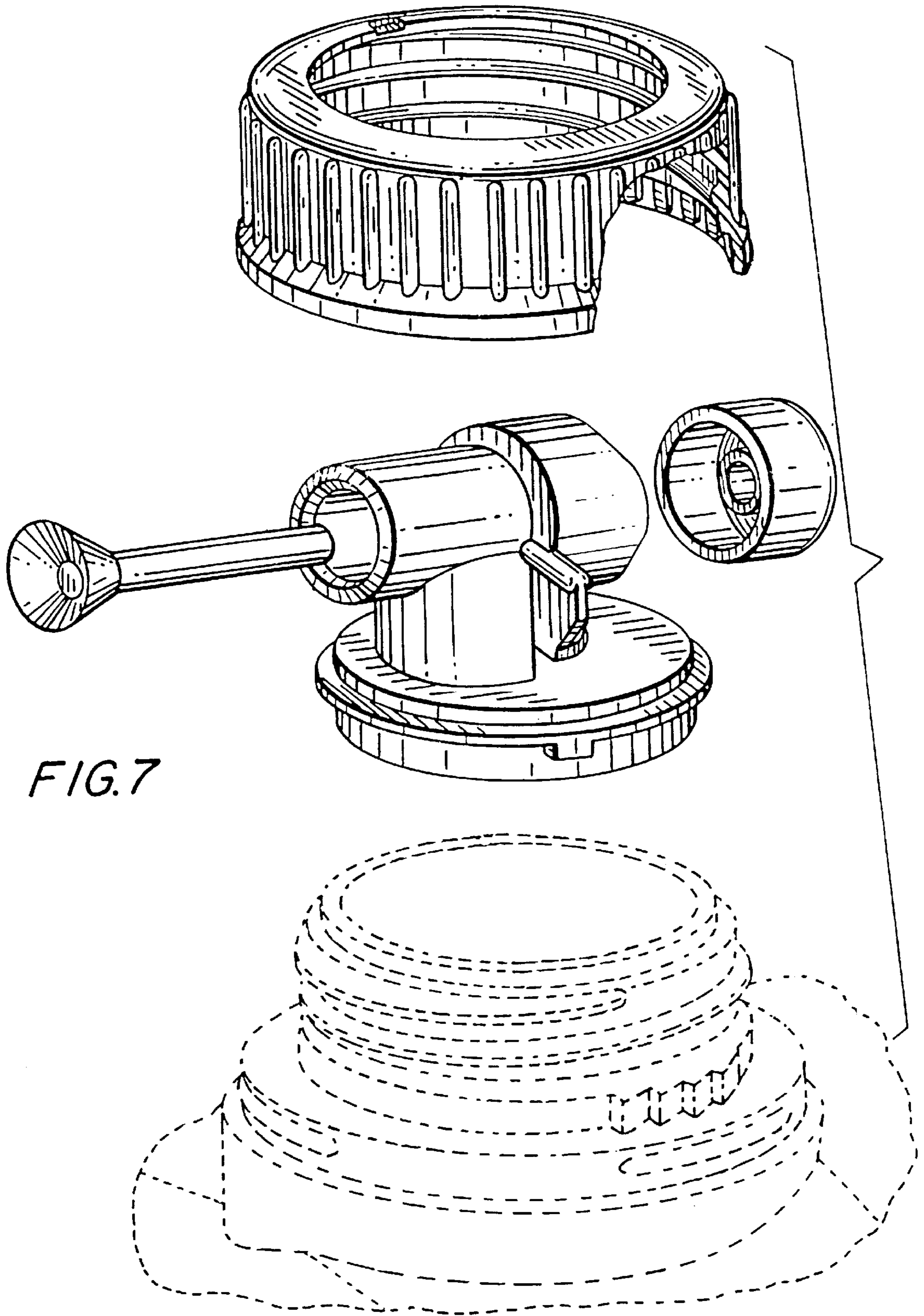


FIG. 7