



US00D474107S

(12) **United States Design Patent**  
**Osborne**

(10) **Patent No.:** **US D474,107 S**

(45) **Date of Patent:** **\*\* May 6, 2003**

(54) **CONTAINER**

(76) **Inventor:** **James J. Osborne**, 704 Abbeydale Ct., Ambler, PA (US) 19002

(\*\*) **Term:** **14 Years**

(21) **Appl. No.:** **29/164,988**

(22) **Filed:** **Aug. 2, 2002**

(51) **LOC (7) Cl.** ..... **09-03**

(52) **U.S. Cl.** ..... **D9/335; D28/79**

(58) **Field of Search** ..... D3/270, 271; D9/307, D9/310, 335, 336, 503, 504; D28/78-79; 206/457, 527; 229/116.1

(56) **References Cited**

**U.S. PATENT DOCUMENTS**

D97,836 S	*	12/1935	Berinstein	.....	D28/78
D147,492 S	*	9/1947	Diamond	.....	D3/270
D166,238 S	*	3/1952	Bedinger	.....	D9/310
D363,602 S	*	10/1995	Asher	.....	D3/270
D370,307 S	*	5/1996	Chen	.....	D28/79
D373,931 S	*	9/1996	Whitehead	.....	D7/539

\* cited by examiner

*Primary Examiner*—Sandra L. Morris

(74) *Attorney, Agent, or Firm*—Howson and Howson

(57) **CLAIM**

The ornamental design for the container, as shown and described.

**DESCRIPTION**

FIG. 1 is a perspective view of the container which embodies my new design and which includes a container body and lid;

FIG. 2 is a top plan view of the container of FIG. 1;

FIG. 3 is a bottom plan view of the container of FIG. 1;

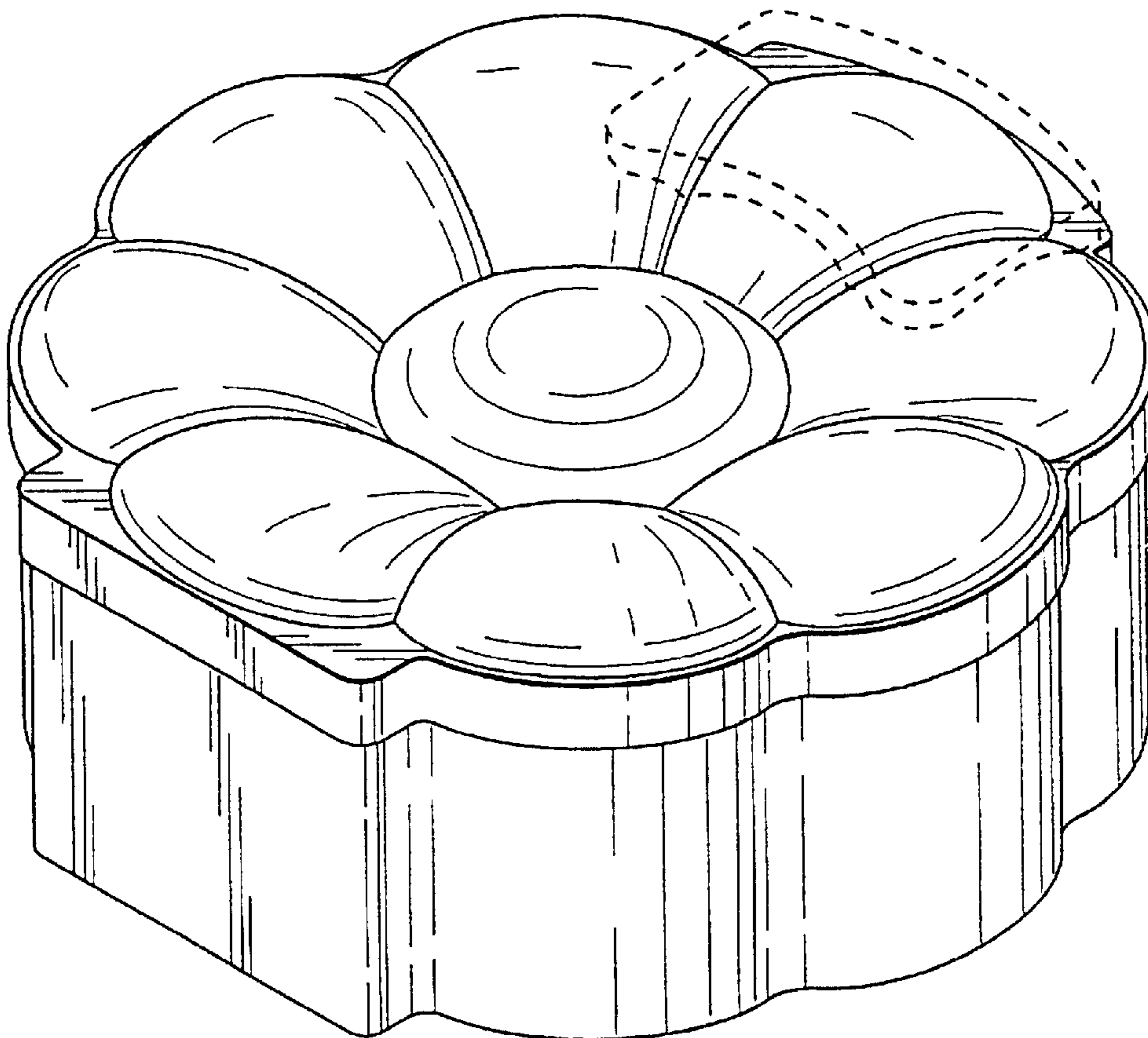
FIG. 4 is a front elevational view of the container of FIG. 1;

FIG. 5 is a right side elevational view of the container of FIG. 1, the left side elevational view being a mirror image thereof; and,

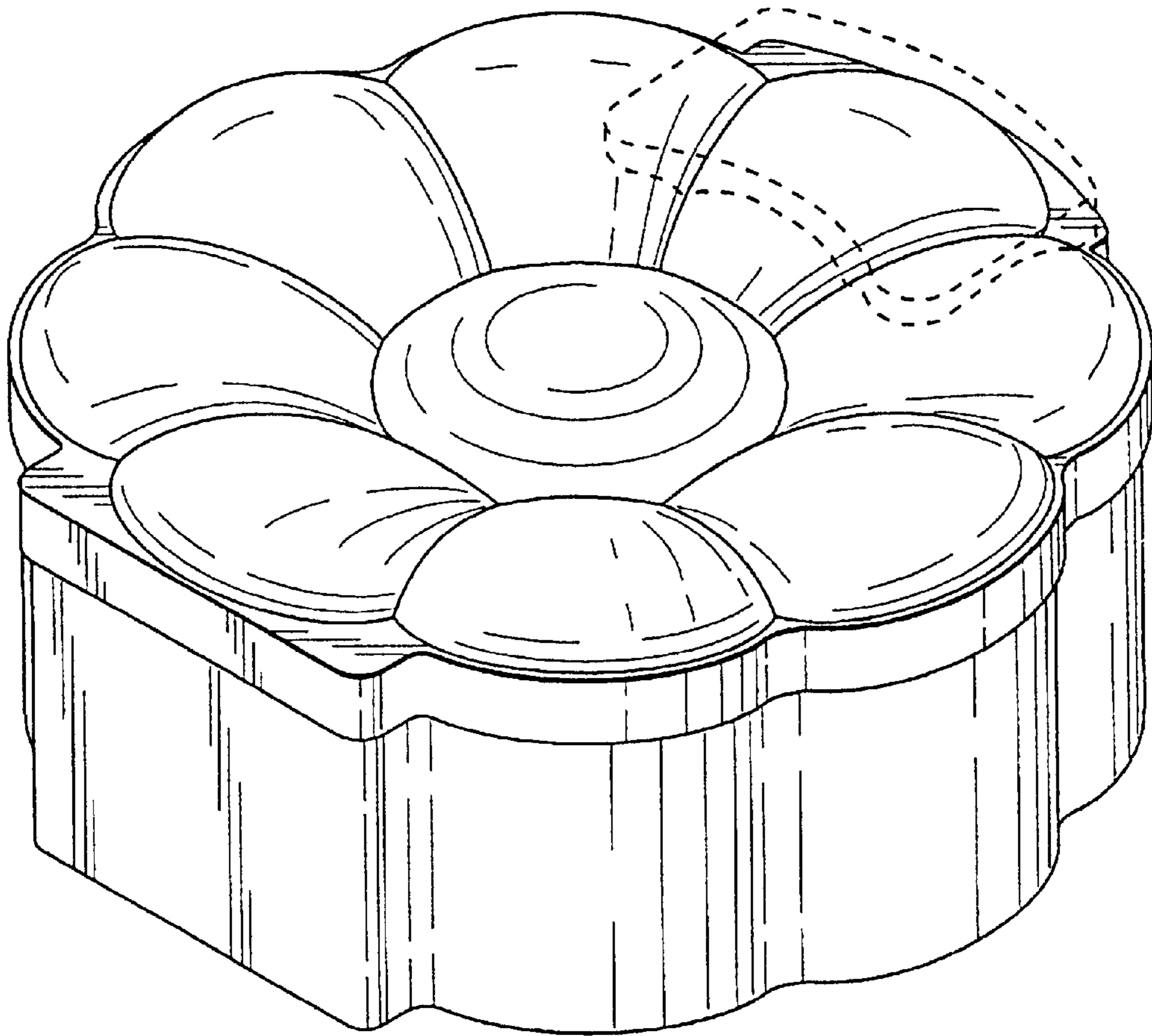
FIG. 6 is a rear elevational view of the container of FIG. 1.

The broken line showing of a raised label panel projecting from the lid of the container in FIGS. 1, 2, and 4-6 is for illustrative purposes only and forms no part of the claimed design.

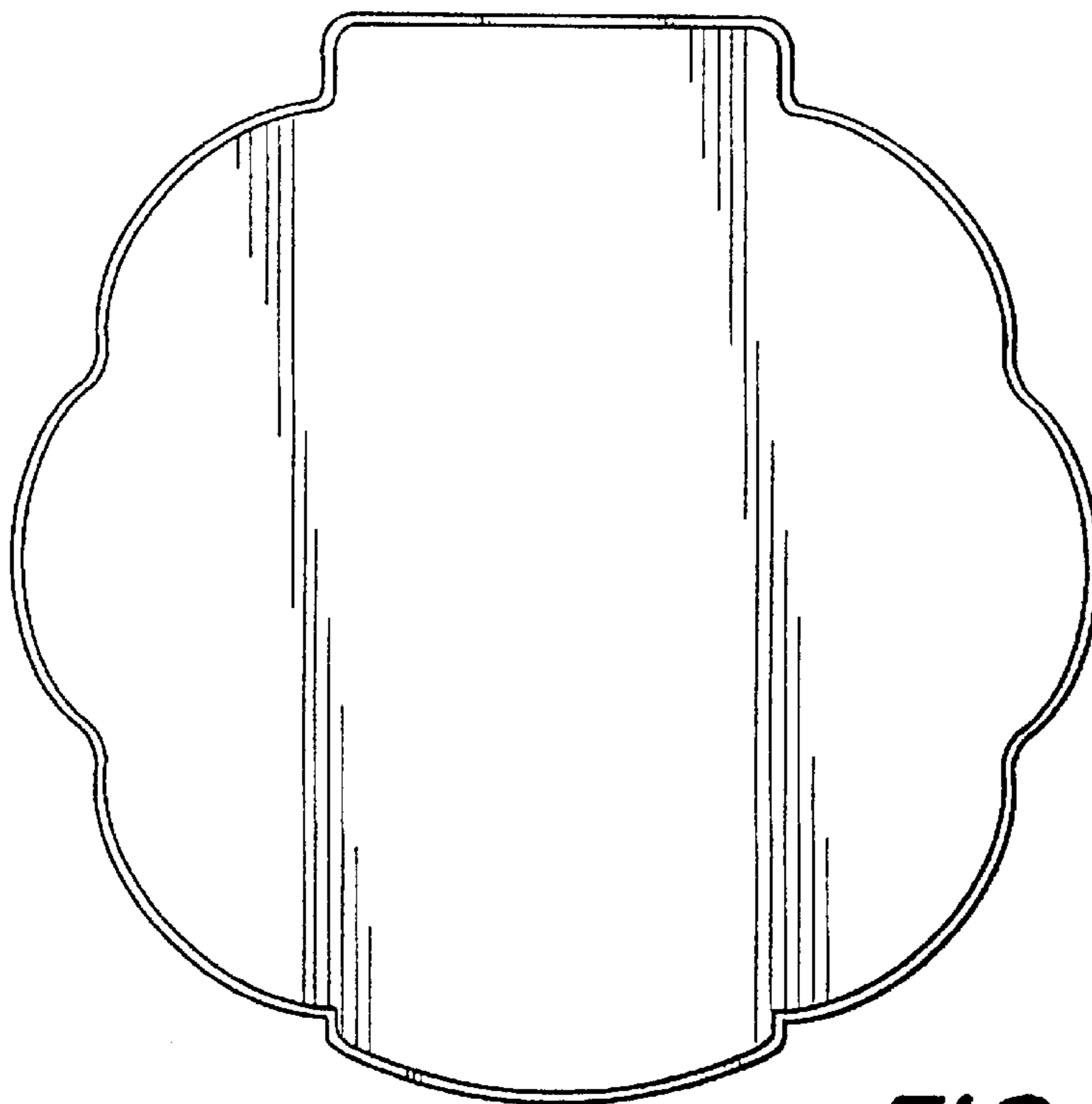
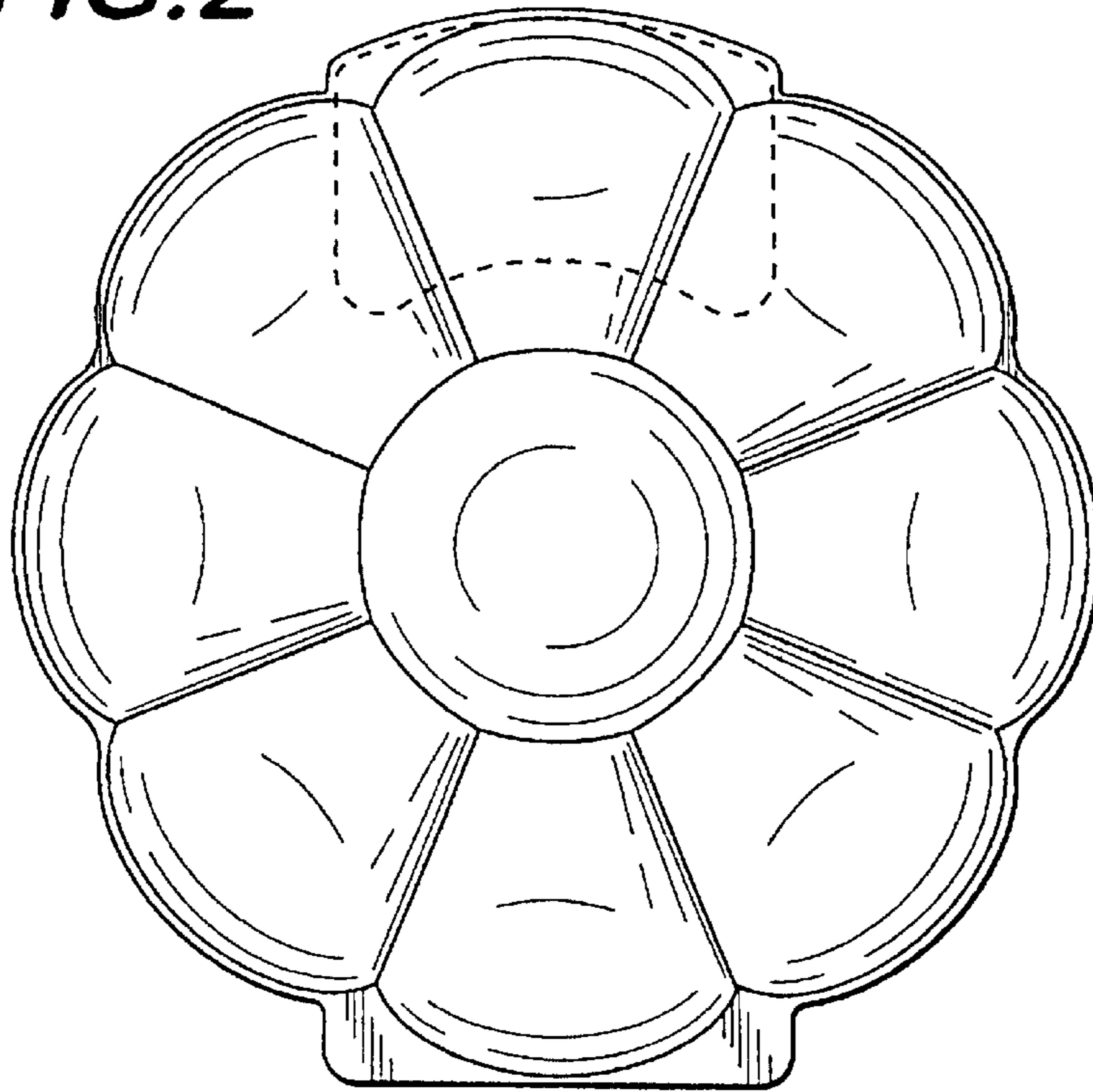
**1 Claim, 3 Drawing Sheets**



*FIG. 1*

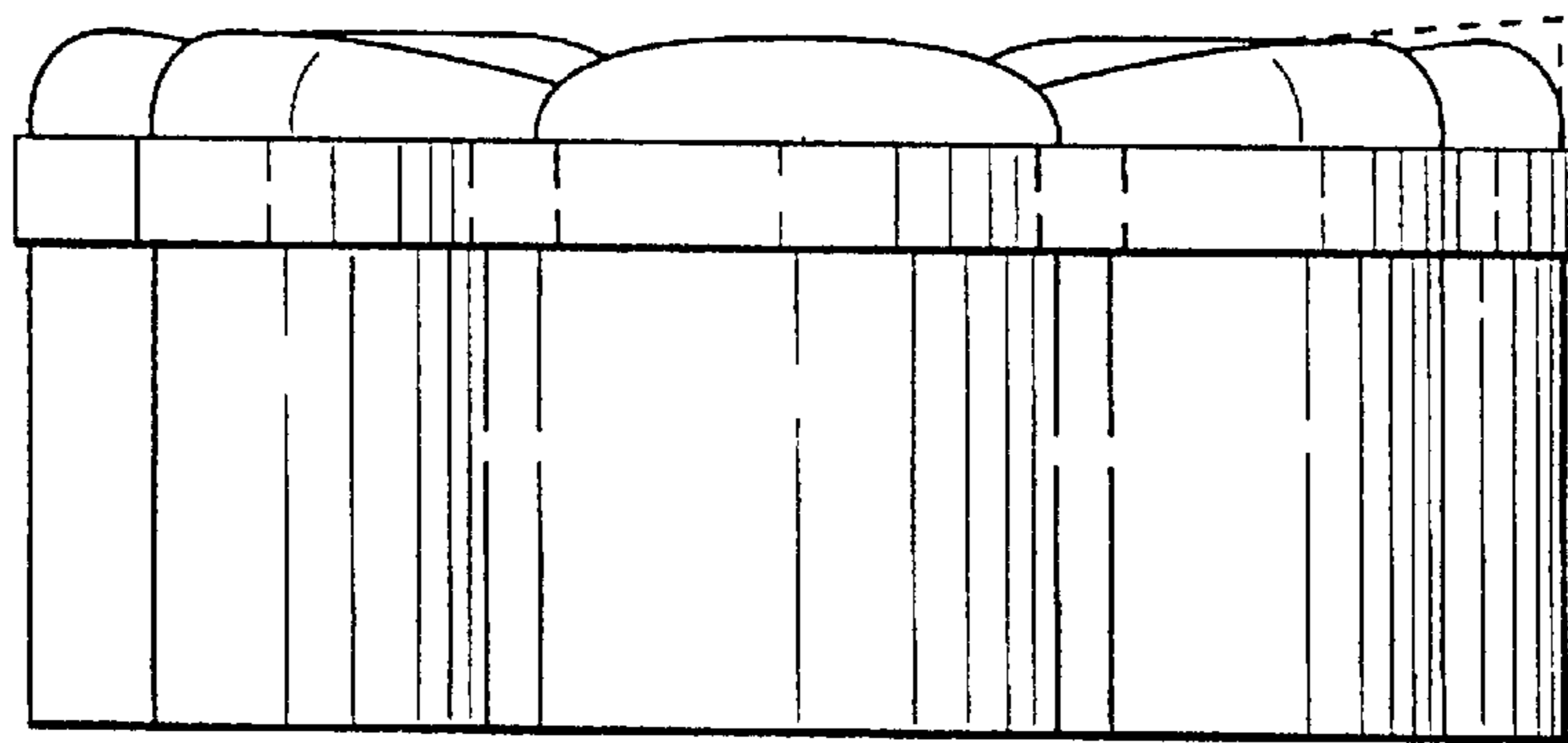
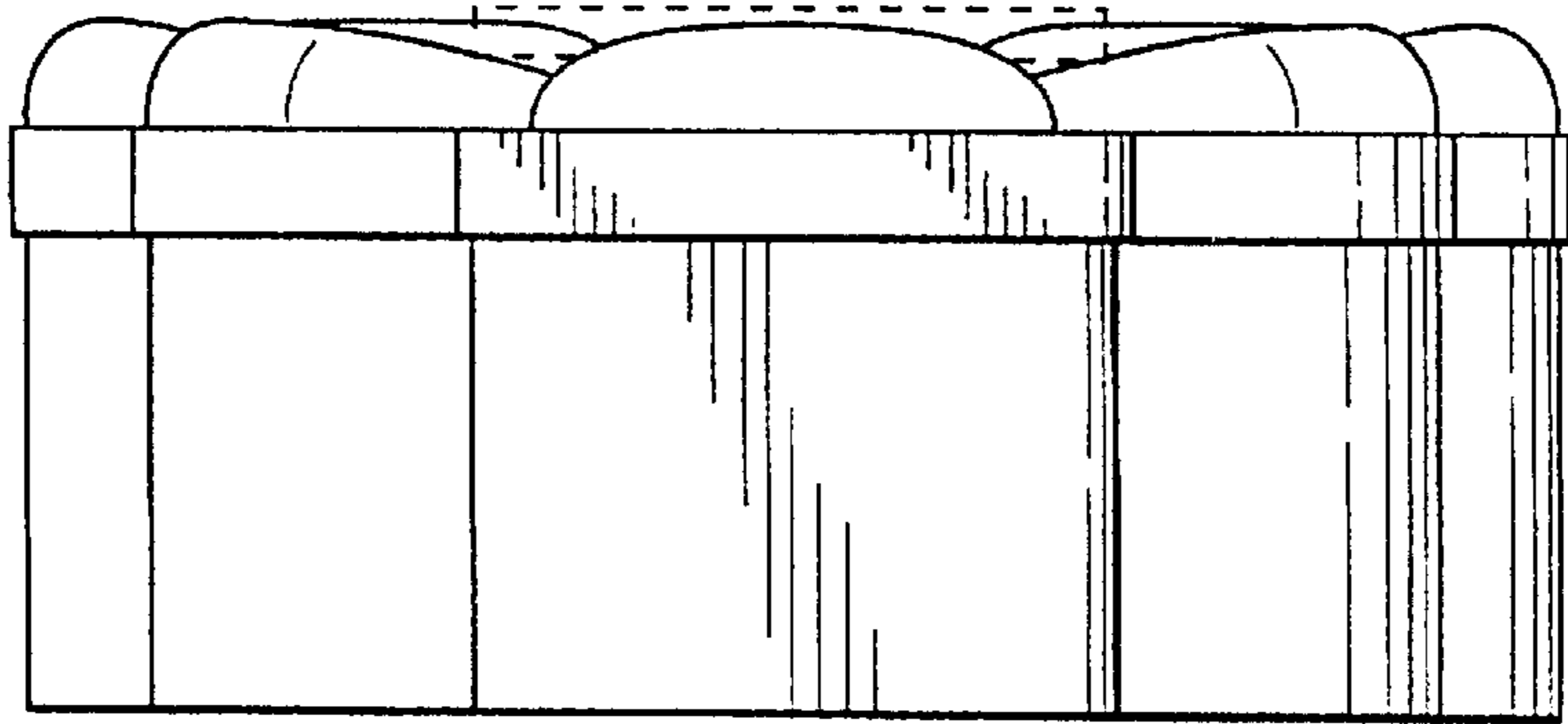


**FIG. 2**

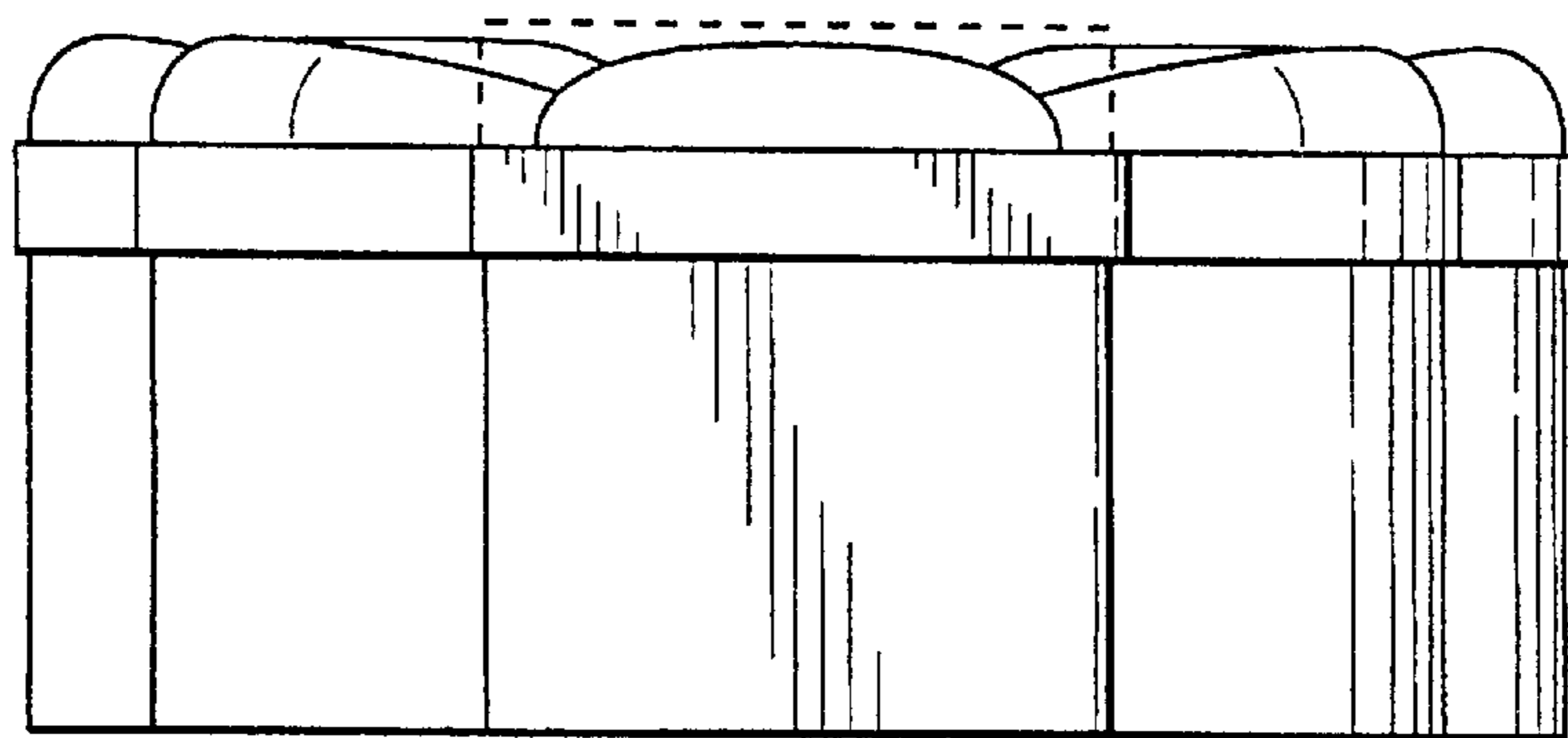


**FIG. 3**

**FIG. 4**



**FIG. 5**



**FIG. 6**