



US00D474105S

(12) **United States Design Patent**  
**Lee**

(10) **Patent No.:** **US D474,105 S**

(45) **Date of Patent:** **\*\* May 6, 2003**

(54) **ROPE OR CABLE HOOK FOR TRAILERS OR TRUCKS**

(76) Inventor: **Michael A. Lee**, 1456 E. Philadelphia, #59, Ontario, CA (US) 91761

(\*\*) Term: **14 Years**

(21) Appl. No.: **29/159,259**

(22) Filed: **Apr. 15, 2002**

(51) **LOC (7) Cl.** ..... **08-05**

(52) **U.S. Cl.** ..... **D8/367; D8/373**

(58) **Field of Search** ..... D8/367, 373, 400, D8/349, 354, 380, 381; 248/231.71, 279.1, 208, 236, 222.14, 497, 300-305, 314, 339, 68.1, 65, 225.21, 220.22, 44.1, 74.1; 211/106.01, 113, 123, 118, 60.1, 13.1, 65-66; 410/101, 106, 111; 280/457, 477, 433, 441, 480, 452

(56) **References Cited**

**U.S. PATENT DOCUMENTS**

2,441,336 A	5/1948	Sova	
2,685,849 A	8/1954	Meighan et al.	
3,037,733 A *	6/1962	Roman	248/220.43
3,142,264 A	7/1964	DeBoer	
3,223,375 A	12/1965	Bernasconi	
3,334,914 A	8/1967	Vierregger	
3,351,356 A	11/1967	Clark et al.	
3,797,859 A	3/1974	Vasquez	
3,902,931 A *	9/1975	Danciger et al.	248/227.3
3,950,010 A	4/1976	Robertson	
3,960,091 A	6/1976	Ehlert	
D247,216 S	2/1978	Mathews	
D263,021 S	2/1982	Siegfried	
4,634,325 A	1/1987	Smith-Williams	
4,648,765 A	3/1987	Kovaleski et al.	

4,812,093 A	3/1989	Millar, Jr.	
4,850,770 A	7/1989	Millar, Jr.	
D357,402 S	4/1995	Roethler	
D379,920 S	6/1997	Bozzo	
D411,736 S *	6/1999	Kazale	D8/367
6,270,048 B1 *	8/2001	Carlson	248/339

\* cited by examiner

*Primary Examiner*—Pamela Burgess  
(74) *Attorney, Agent, or Firm*—Oppenheimer, Wolff & Donnelly LLP

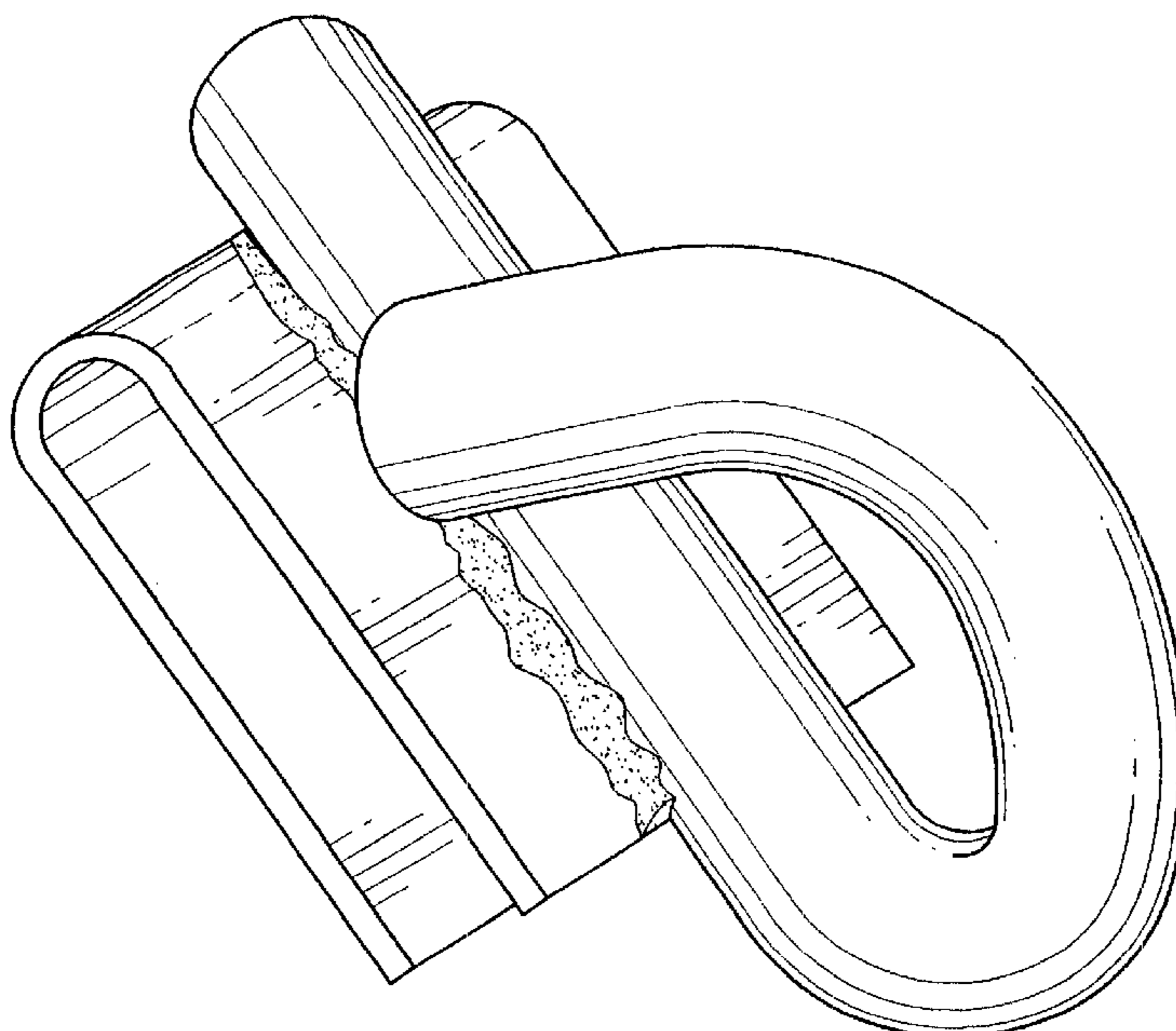
(57) **CLAIM**

The rope or cable hook for trailers or trucks, as shown and described.

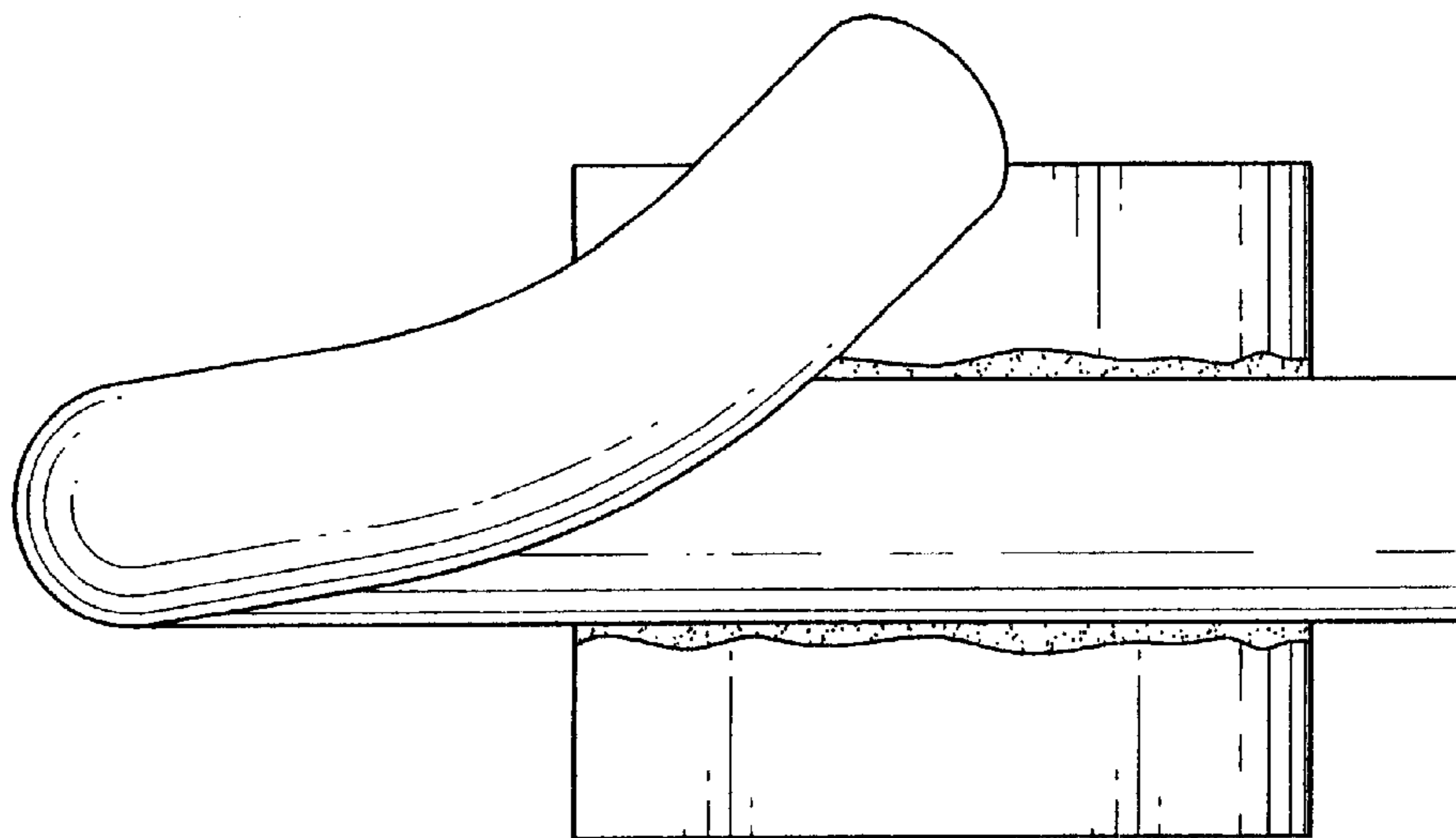
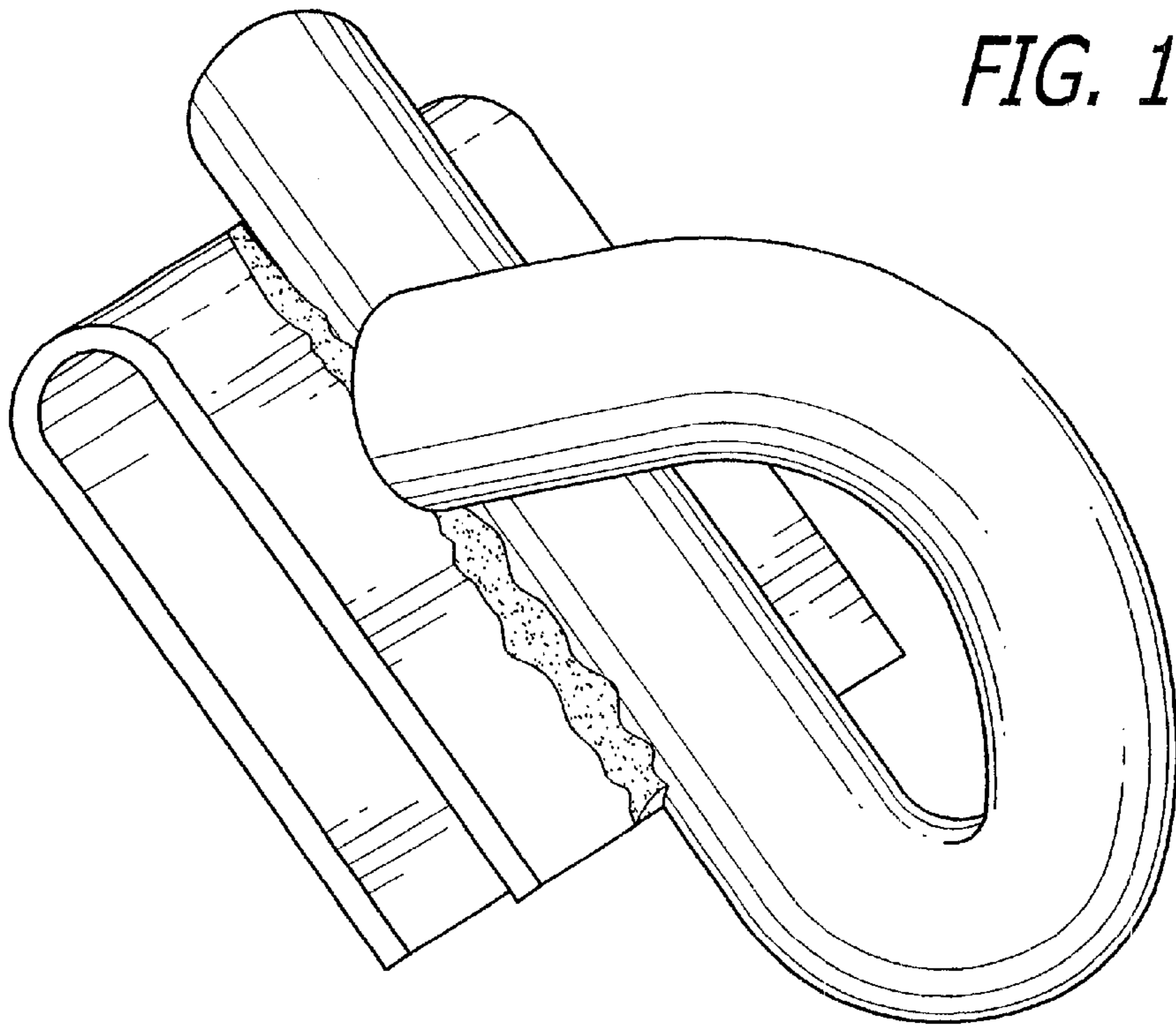
**DESCRIPTION**

FIG. 1 is a perspective view of a rope or cable hook for trailers or trucks showing my new design; FIG. 2 is a bottom view thereof; FIG. 3 is a right side elevational view thereof, with the left side view being a mirror image of the right side view; FIG. 4 is a top view thereof; FIG. 5 is a rear view thereof; FIG. 6 is a front view thereof. FIG. 7 is a front view of a second embodiment of a rope or cable hook for trailers or trucks showing my new design; FIG. 8 is a top view thereof; FIG. 9 is a side elevational view of a third embodiment of a rope or cable hook for trailers or trucks showing my new design; and, FIG. 10 is a side elevational view of the second embodiment shown in FIGS. 7 and 8. The broken lines shown are for illustrative purposes only and form no part of the claimed design.

**1 Claim, 5 Drawing Sheets**



*FIG. 1*



*FIG. 2*

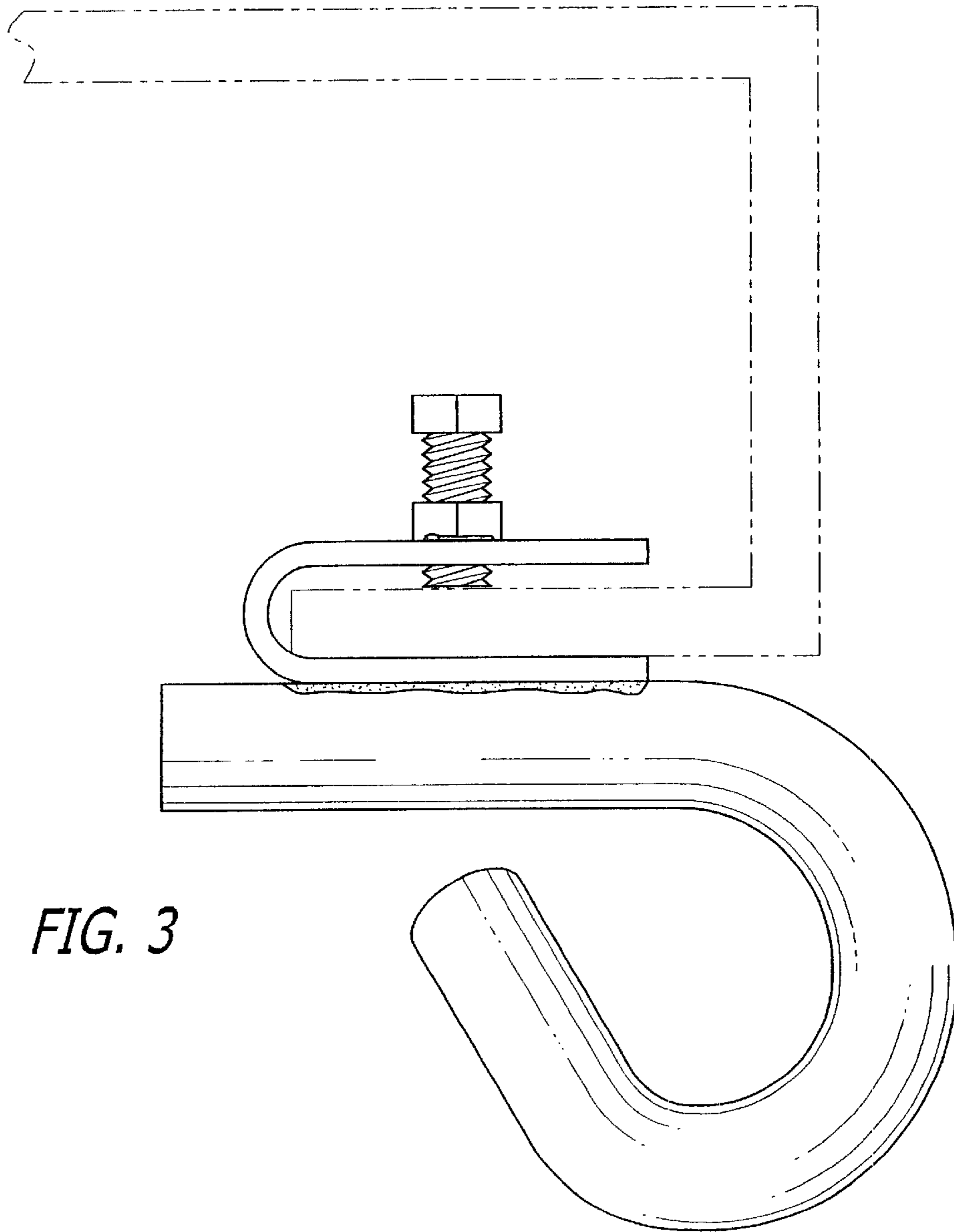


FIG. 3

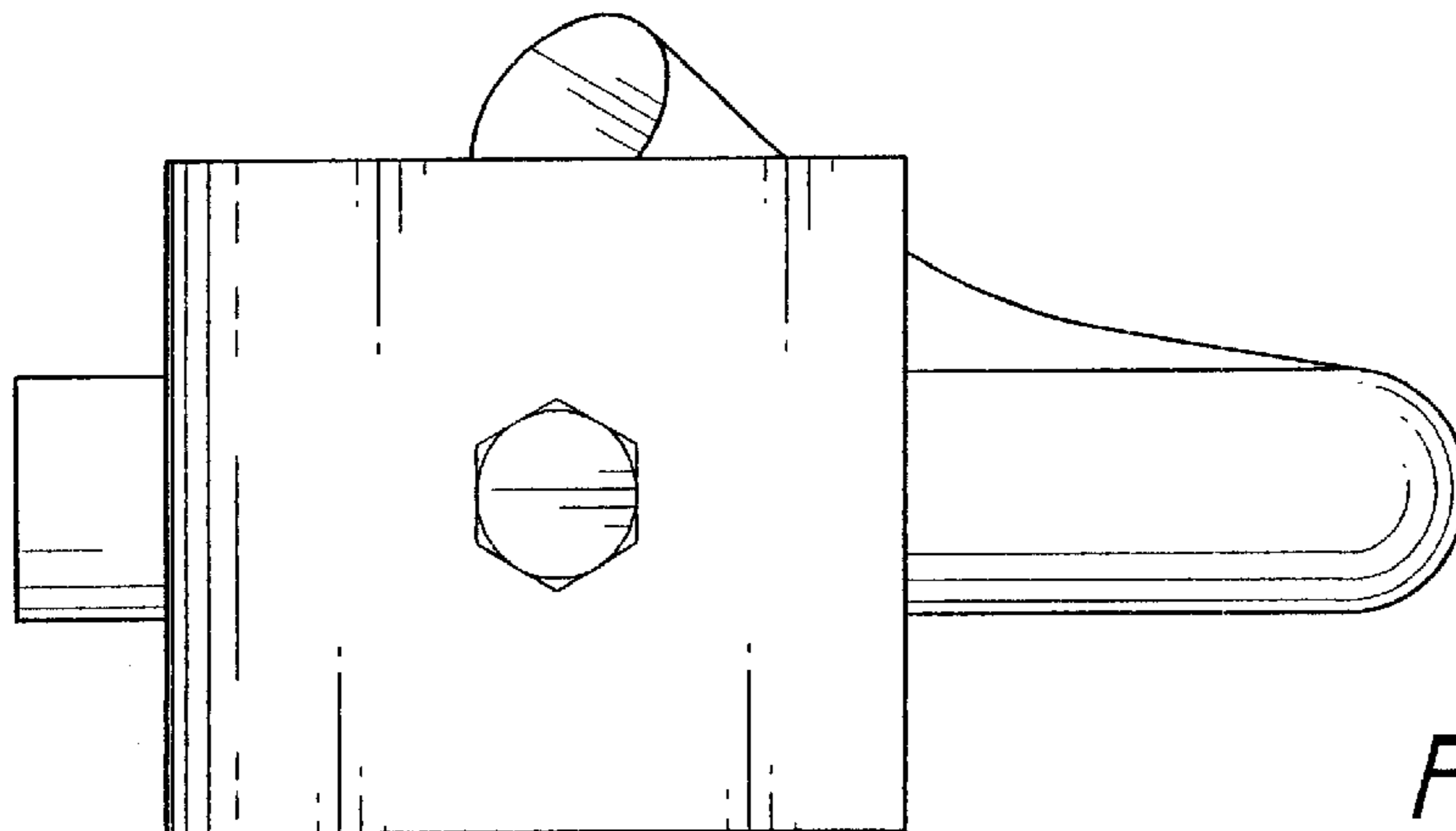
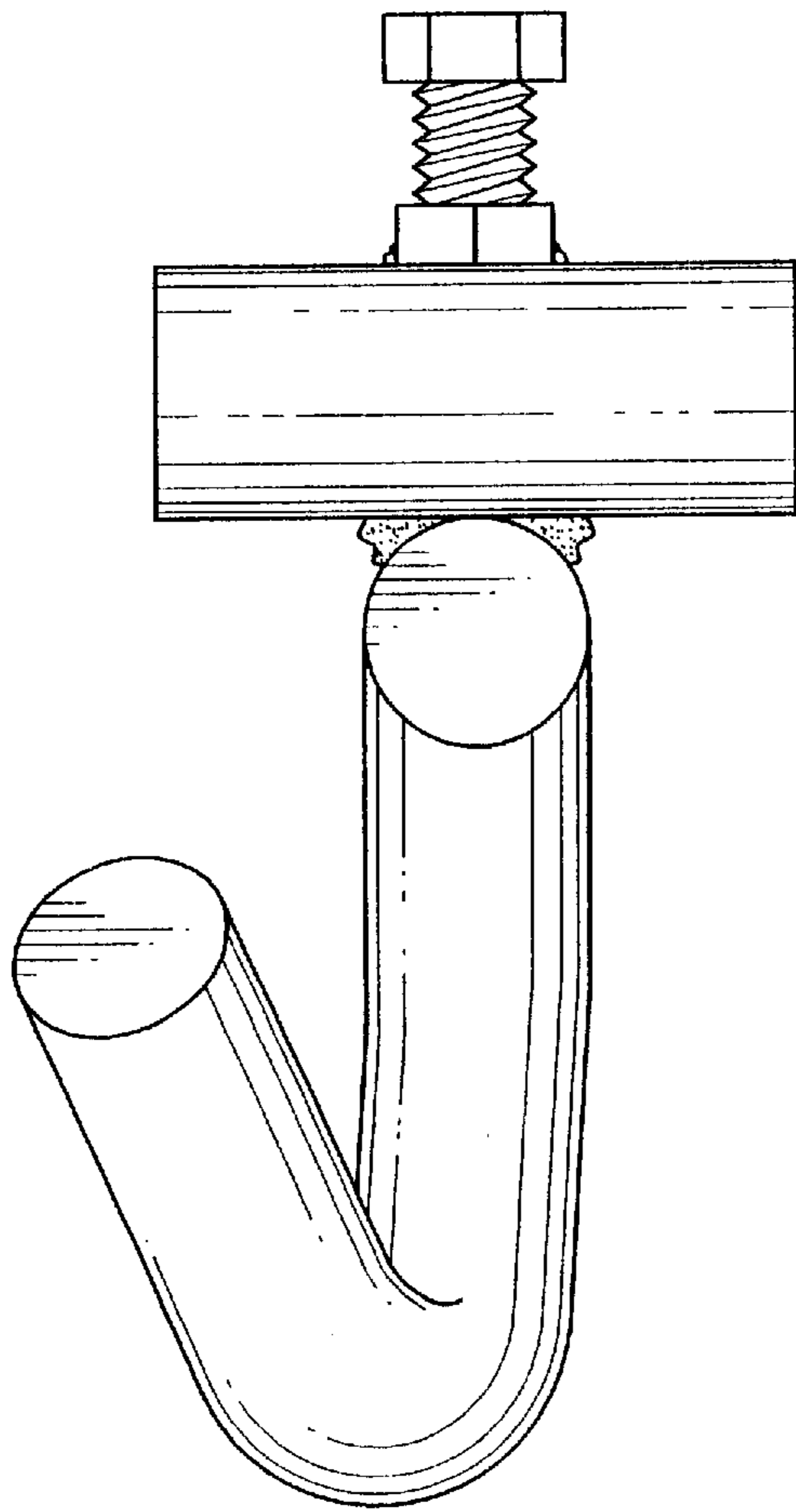
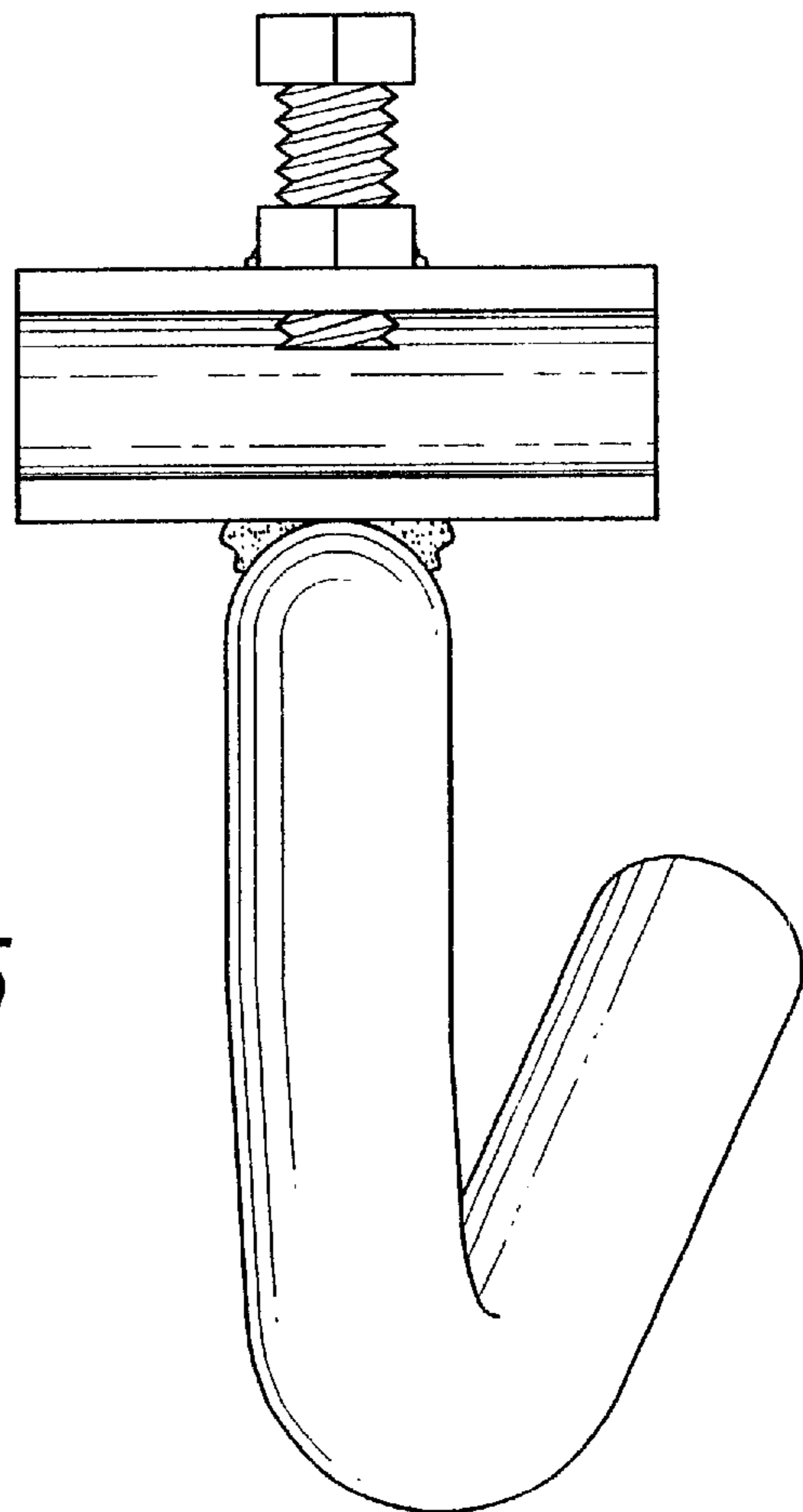


FIG. 4



*FIG. 5*



*FIG. 6*

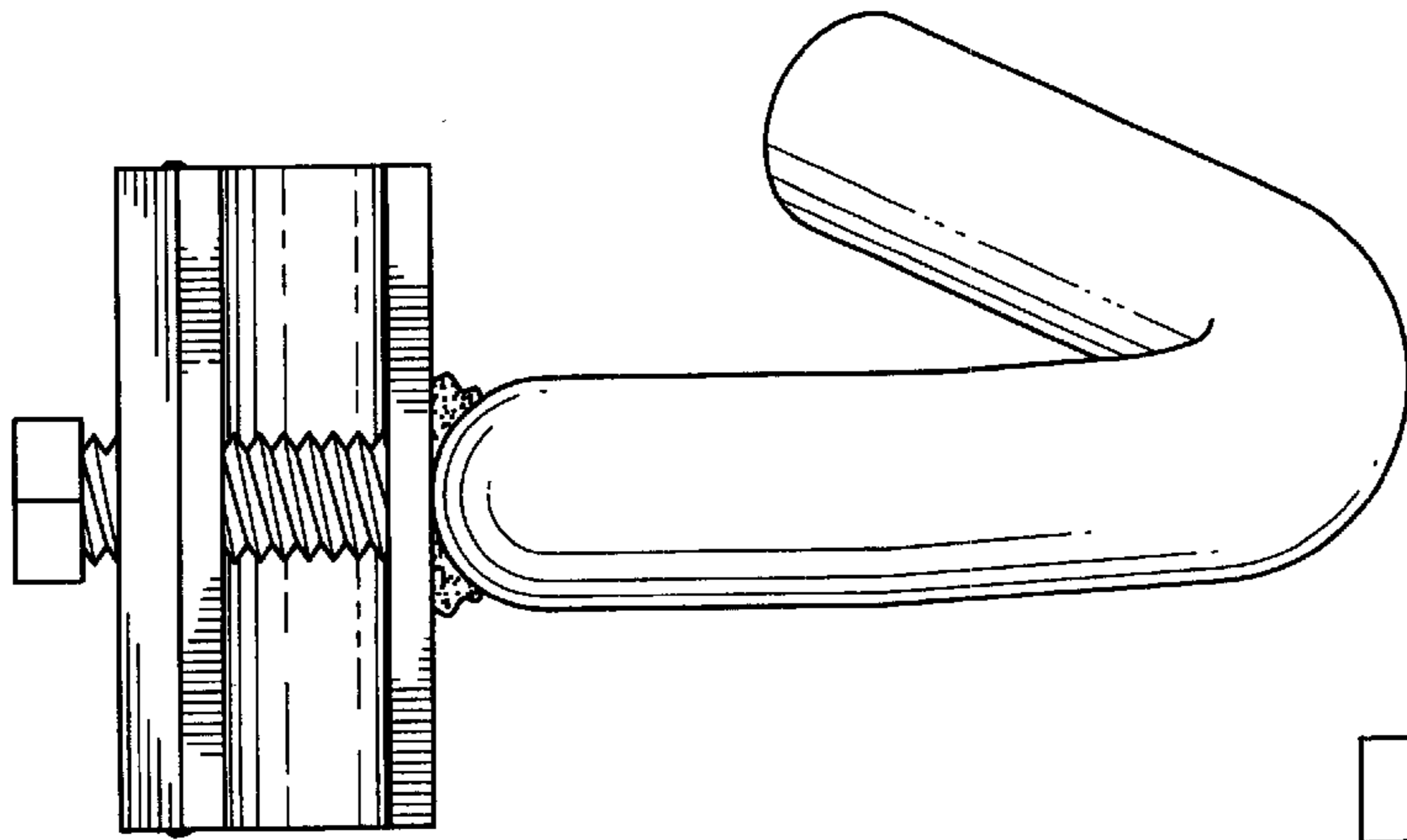


FIG. 7

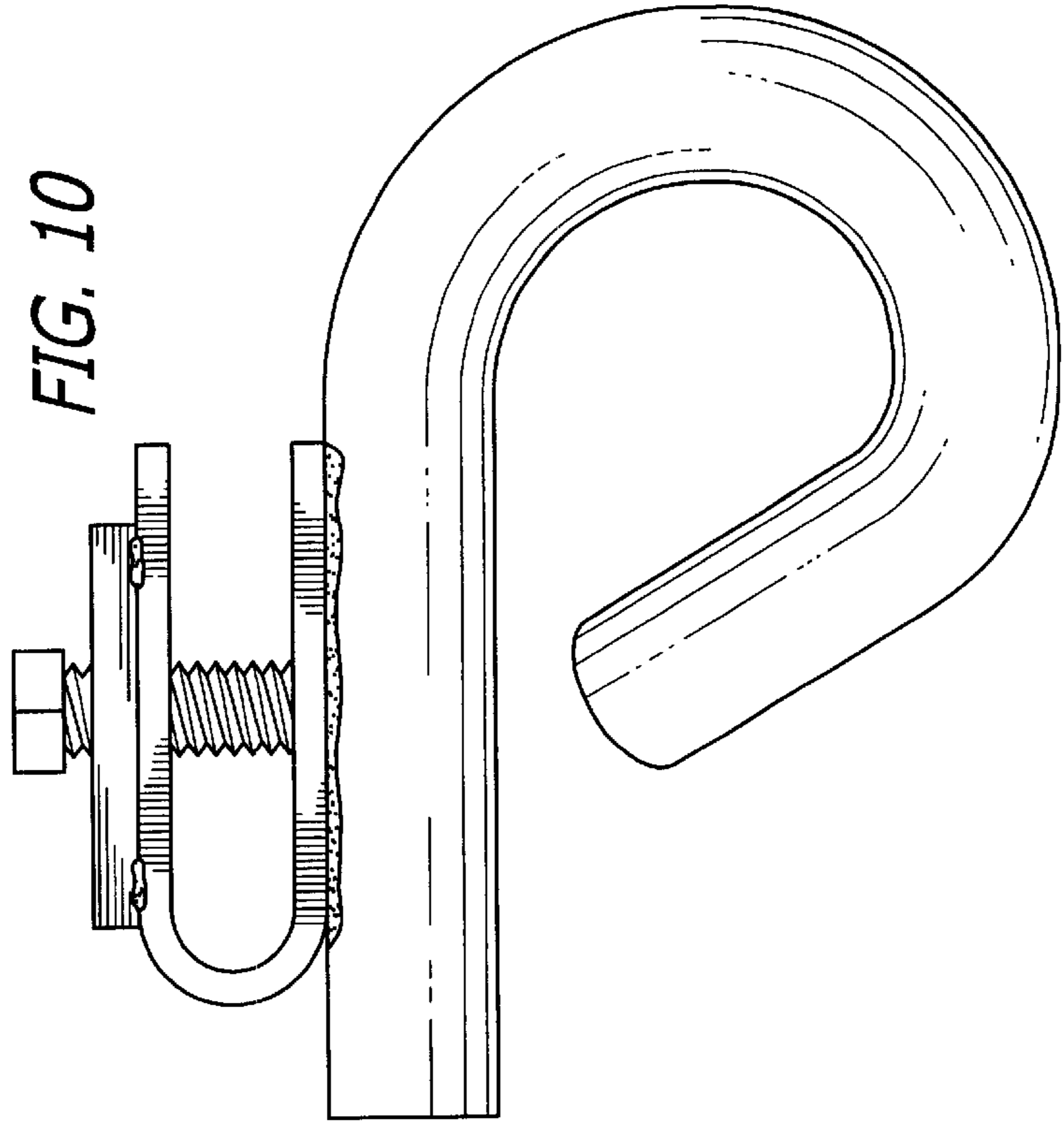


FIG. 10

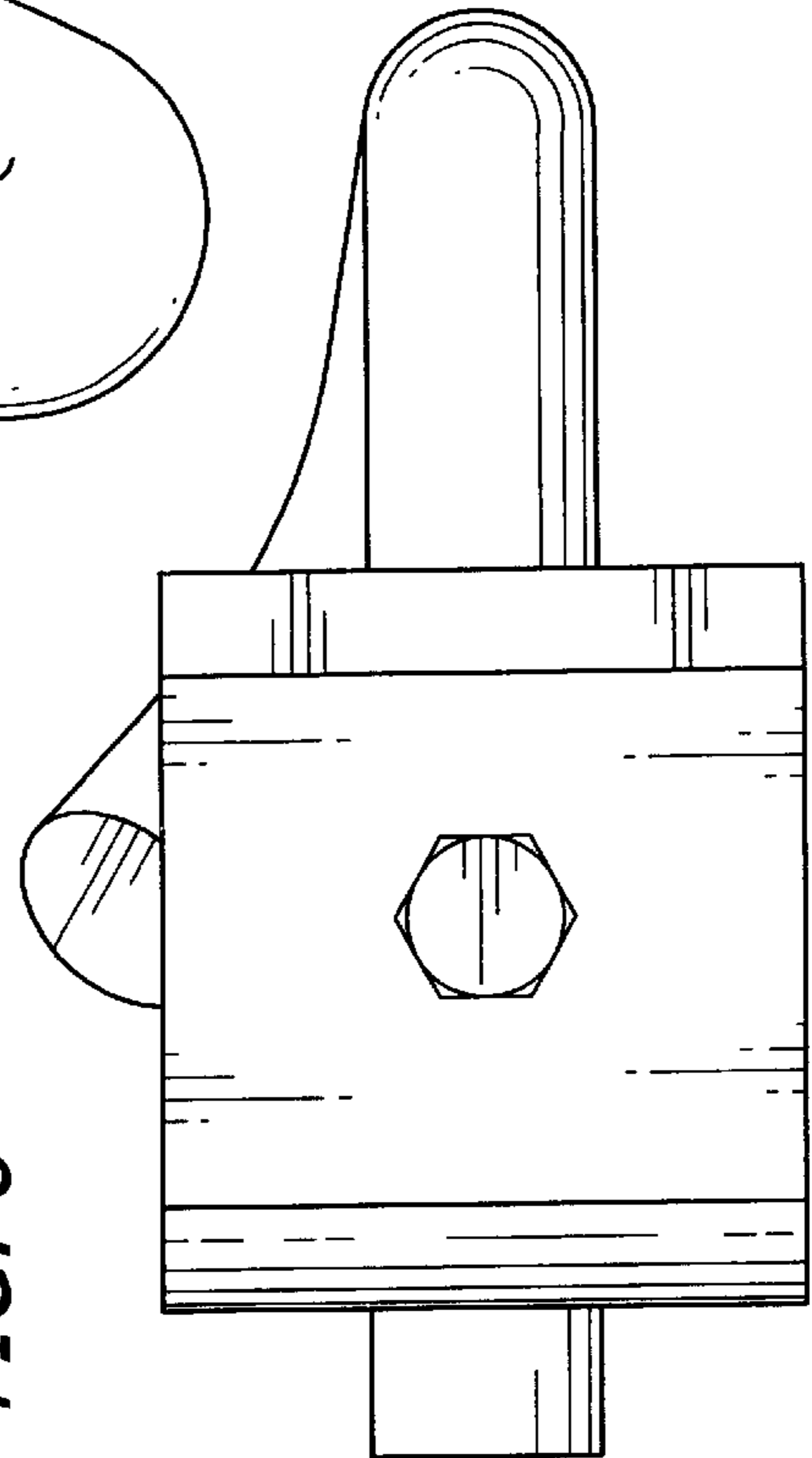
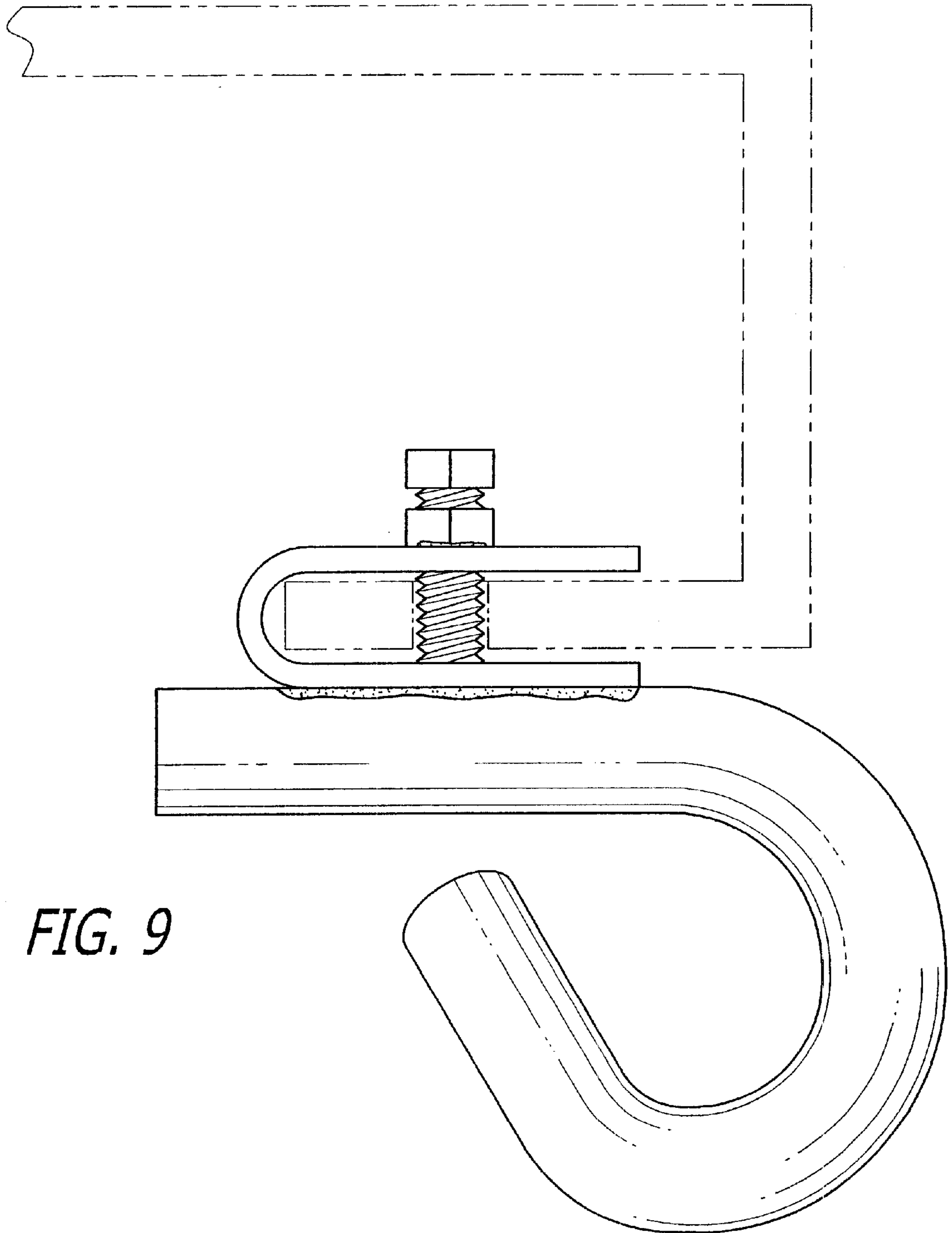


FIG. 8



*FIG. 9*