



US00D474104S

(12) **United States Design Patent**
Spruill

(10) **Patent No.:** **US D474,104 S**

(45) **Date of Patent:** **** May 6, 2003**

(54) **ELECTRIC FENCE WIRE MOUNTING BRACKET**

(76) **Inventor:** **James F. Spruill**, 4605 Sears Rd., Pegram, TN (US) 37143

(**) **Term:** **14 Years**

(21) **Appl. No.:** **29/164,828**

(22) **Filed:** **Aug. 1, 2002**

Related U.S. Application Data

(62) Division of application No. 09/757,920, filed on Jan. 10, 2001.

(51) **LOC (7) Cl.** **08-05**

(52) **U.S. Cl.** **D8/364**

(58) **Field of Search** D8/349, 354, 356, D8/363, 373, 380, 364; D13/131, 132, 133; 174/154, 158 F, 158 R, 160, 161 F, 161 R, 163 F, 163 R, 166 R, 168, 171, 175; 248/73, 200, 218.4, 227.3, 507, 222.51, 222.52, 229.15, 229.16, 301; 256/10, 32, 47, 48, 49, 50, 51, 52, 53, 54, DIG. 3

(56) **References Cited**

U.S. PATENT DOCUMENTS

2,721,891 A	10/1955	Kersten	
RE24,127 E	3/1956	Binns et al.	
2,972,007 A	2/1961	Zoeller	
3,654,383 A	4/1972	Wilson	
3,759,490 A	9/1973	Heuberger	
3,801,731 A	4/1974	Hansen	
3,820,758 A	6/1974	Berg, Jr. et al.	
4,049,905 A	9/1977	Maranell	
4,077,611 A	3/1978	Wilson	
4,090,472 A	5/1978	York	
D248,851 S	* 8/1978	Langlie et al.	D13/132
4,538,782 A	* 9/1985	Kirschenbaum	174/171
4,623,756 A	11/1986	Wilson, Jr.	
4,680,428 A	7/1987	Wilson, Jr.	

4,725,825 A	2/1988	McKean	
4,771,137 A	9/1988	Thompson	
4,836,504 A	6/1989	Fingerson et al.	
4,866,218 A	9/1989	Wilson, Jr.	
5,207,178 A	5/1993	McDade et al.	
5,255,896 A	10/1993	Letarte et al.	
5,421,556 A	6/1995	Dodge et al.	
5,441,240 A	8/1995	Arnold	
5,455,726 A	10/1995	Liu	
D369,954 S	* 5/1996	Otramba	D8/356
5,600,516 A	2/1997	Phillips et al.	
5,628,494 A	5/1997	Arnold	
5,645,270 A	7/1997	Lawrence	
5,920,036 A	7/1999	Egger	
5,959,255 A	9/1999	Langlie et al.	
6,296,233 B1	10/2001	Berg et al.	

* cited by examiner

Primary Examiner—Doris V. Coles
Assistant Examiner—Elizabeth A. Albert
(74) *Attorney, Agent, or Firm*—Waddey & Patterson; Phillip E. Walker

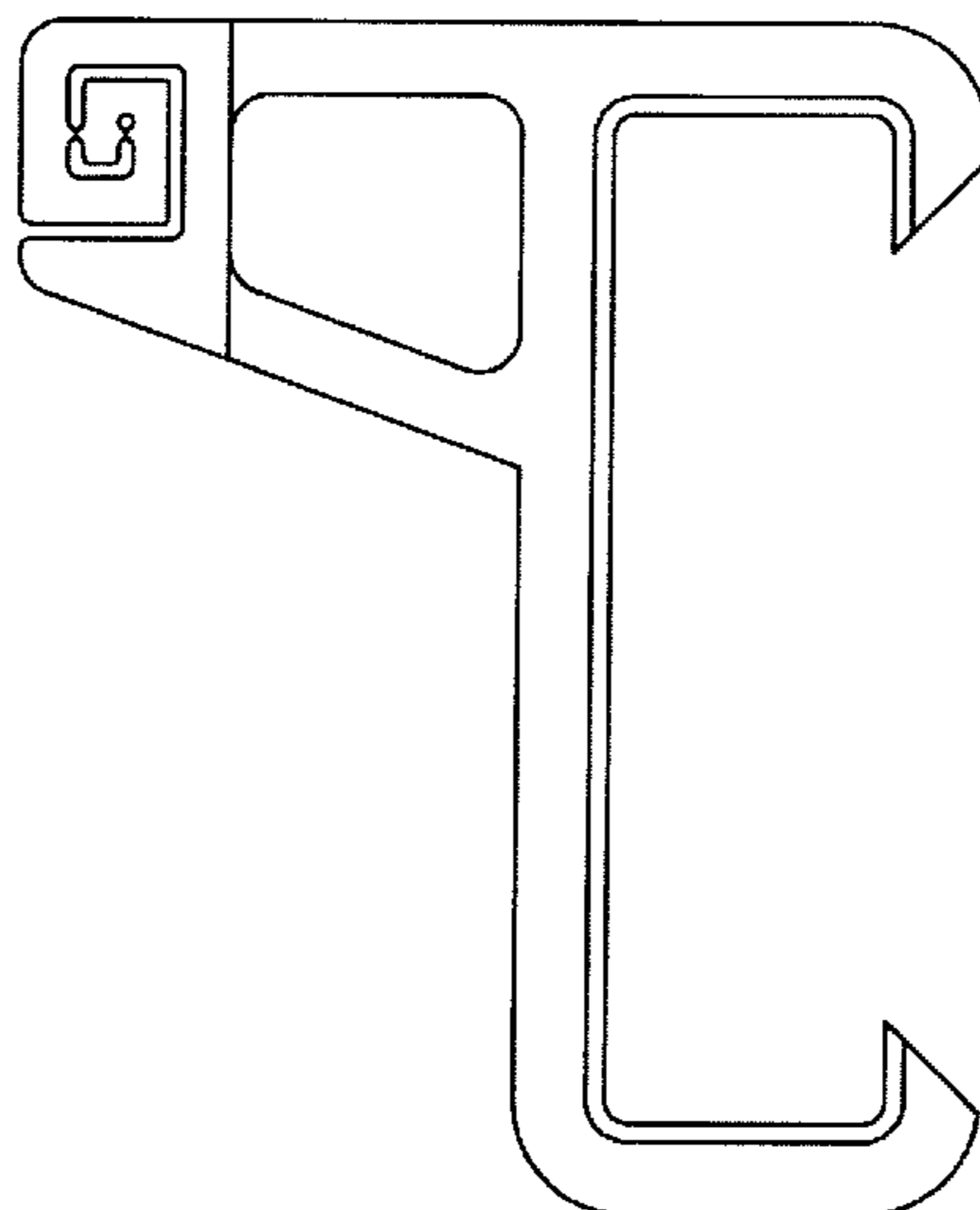
(57) **CLAIM**

What is claimed is the ornamental design for an electric fence wire mounting bracket, as shown and described.

DESCRIPTION

FIG. 1 is a front elevation view showing the electric fence wire mounting bracket of Applicant's invention.
FIG. 2 is a right side elevation of the electric fence wire mounting bracket of Applicant's invention.
FIG. 3 is a back elevation of the electric fence wire mounting bracket of Applicant's invention.
FIG. 4 is a left side elevation of the electric fence wire mounting bracket of Applicant's invention.
FIG. 5 is a top plan of the electric fence wire mounting bracket of Applicant's invention; and,
FIG. 6 is a bottom plan of the electric fence wire mounting bracket of Applicant's invention.

1 Claim, 1 Drawing Sheet



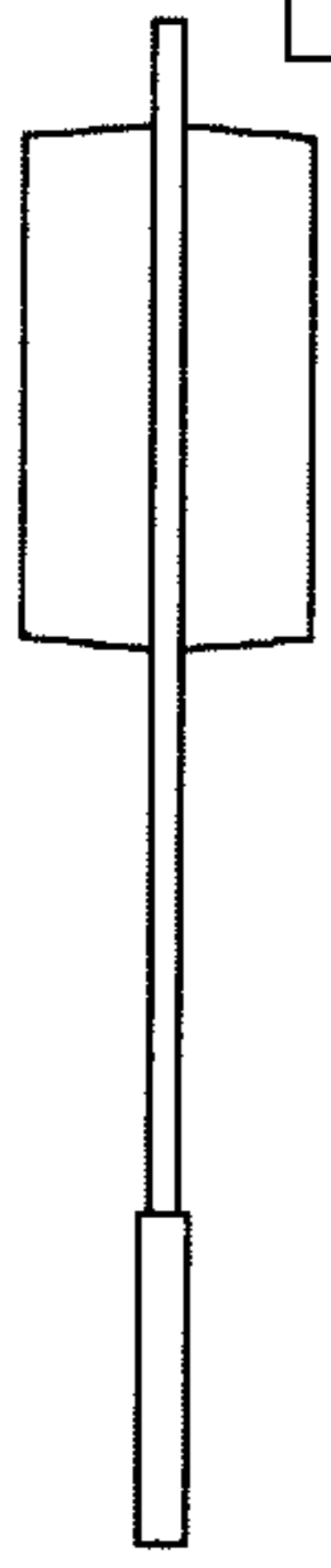


Fig. 5

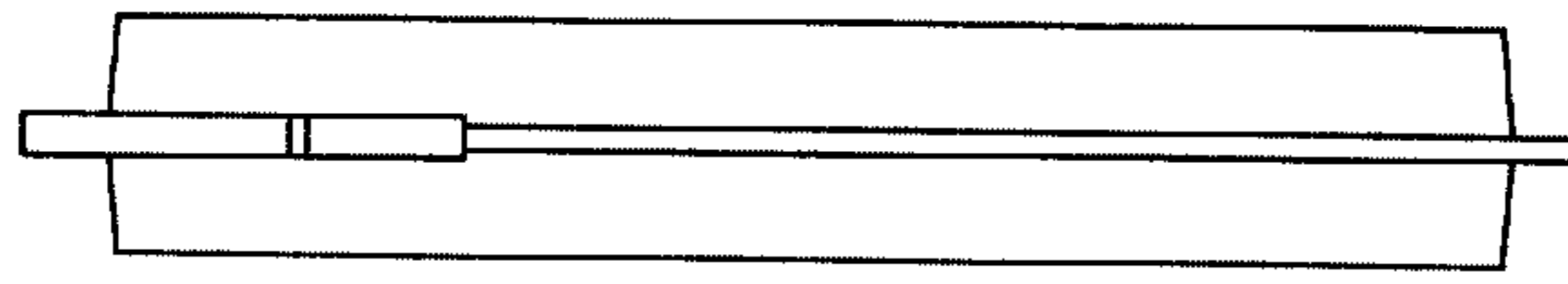


Fig. 1

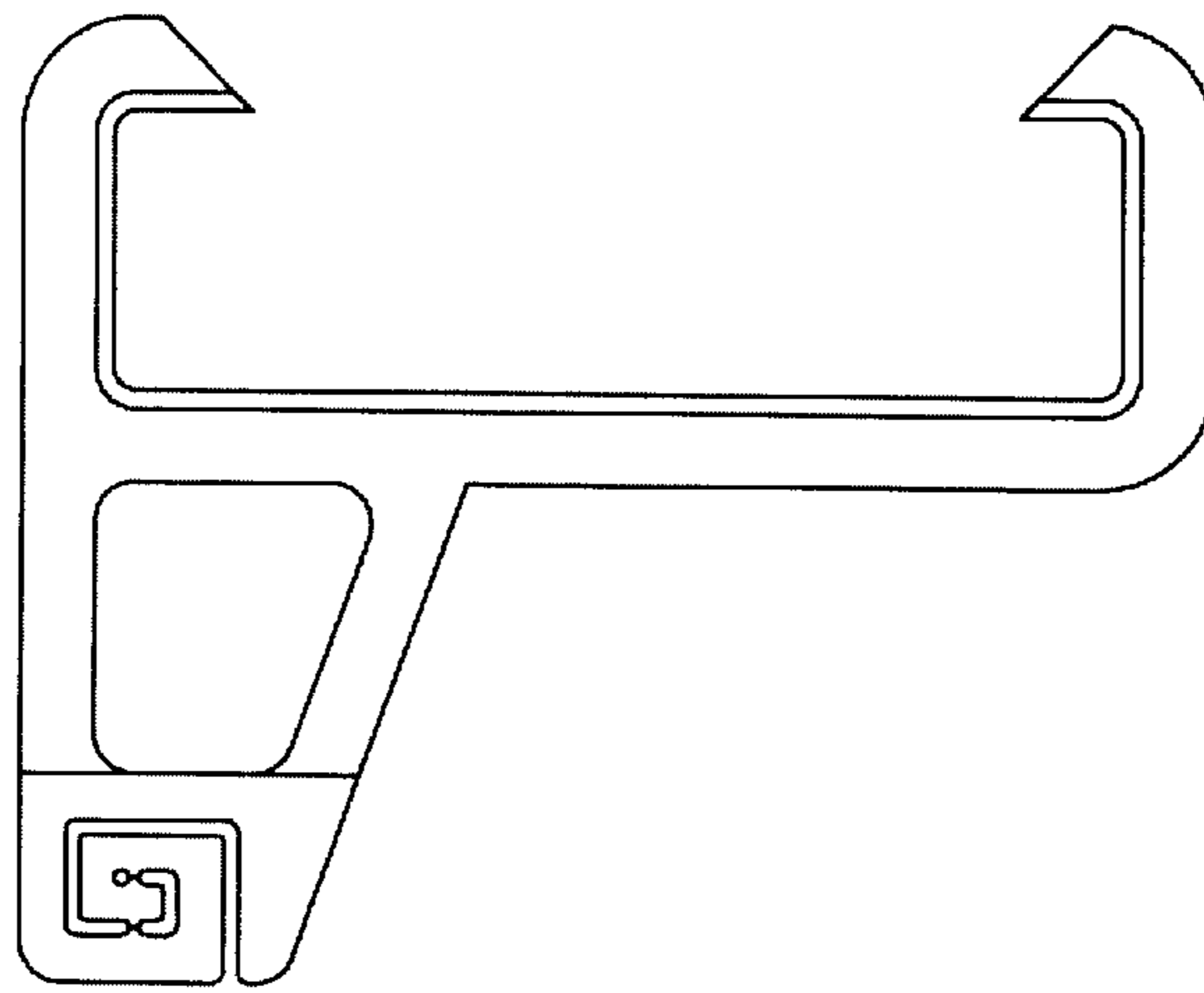


Fig. 2



Fig. 3

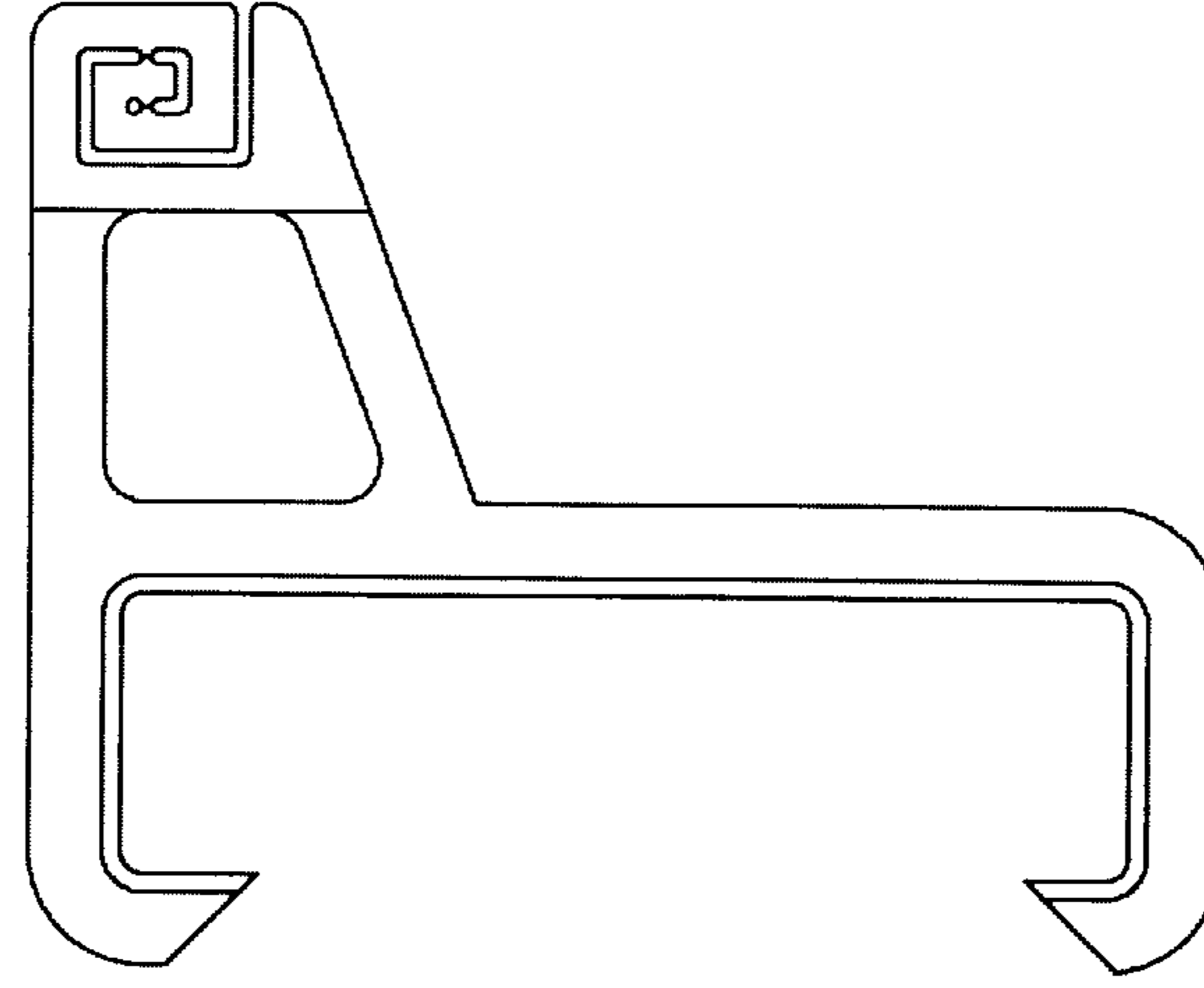


Fig. 4

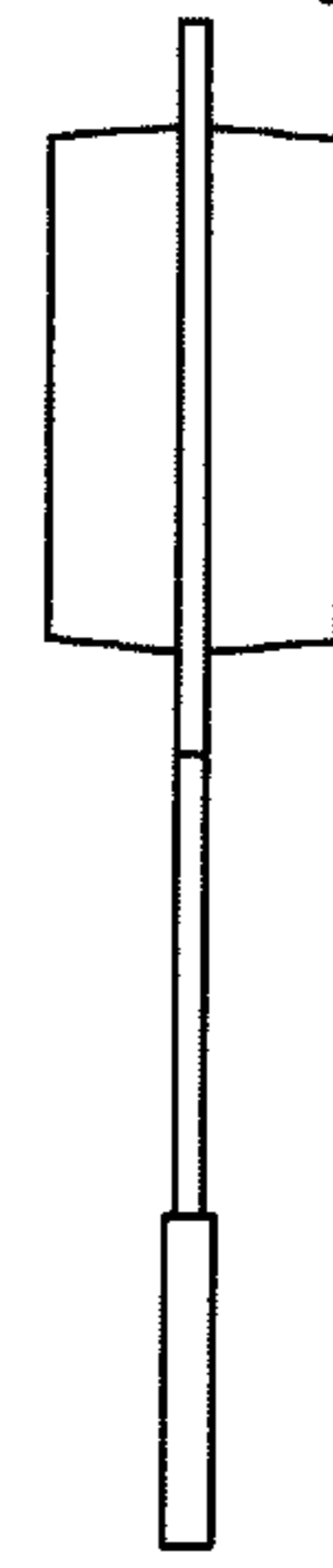


Fig. 6