



US00D474103S

(12) **United States Design Patent**
Kaiser et al.

(10) **Patent No.:** **US D474,103 S**

(45) **Date of Patent:** **** May 6, 2003**

(54) **LOW PROFILE KEYPAD ESCUTCHEON**

6,286,347 B1 9/2001 Frolov
6,378,344 B1 4/2002 Gartner

(75) Inventors: **David Kaiser**, North Haven, CT (US);
Paul Nunez, Orange, CT (US); **Joe Toro**, Stratford, CT (US)

OTHER PUBLICATIONS

Locknetics. CM Computer Manages Electronic Locking Systems. IR Security & Safety Catalog—2000, pp 2–3.
Locknetics. When Life Safety+Security Matter. Locknetics Security Engineering Catalog—Feb. 1998, pp. 10–26.
V Series, Stand-Alone Electronic Locks. Best Access Systems Catalog—Jul. 1998. pp. 2–11.

(73) Assignee: **Sargent Manufacturing Company**,
New Haven, CT (US)

(**) Term: **14 Years**

Primary Examiner—B. J. Bullock

(21) Appl. No.: **29/168,197**

(74) *Attorney, Agent, or Firm*—DeLio & Peterson, LLC

(22) Filed: **Sep. 28, 2002**

(57) **CLAIM**

Related U.S. Application Data

The ornamental design for a “low profile keypad escutcheon”, as shown and described.

(62) Division of application No. 29/140,344, filed on Apr. 17, 2001.

DESCRIPTION

(51) **LOC (7) Cl.** **11-05**

FIG. 1 is a front elevational view of a low profile keypad escutcheon for an exit device in accordance with the present design.

(52) **U.S. Cl.** **D8/350; D13/164**

FIG. 2 is a back elevational view of the low profile keypad escutcheon for an exit device seen in FIG. 1.

(58) **Field of Search** D8/350, 353, 331,
D8/330, 338, 341, 301, 308; D13/164,
171; 70/208, 278.1, 90, 92, 286, 277; 340/825.32

FIG. 3 is a left side elevational view of the low profile keypad escutcheon for an exit device seen in FIG. 1.

(56) **References Cited**

U.S. PATENT DOCUMENTS

- 4,899,562 A 2/1990 Gartner et al.
- 4,956,984 A 9/1990 Chi-Cheng
- D313,926 S 1/1991 Kautt
- 5,058,404 A 10/1991 Fish et al.
- 5,083,122 A 1/1992 Clark
- 5,136,870 A 8/1992 Gartner et al.
- 5,475,996 A 12/1995 Chen
- D365,976 S 1/1996 Chiu
- 5,841,347 A 11/1998 Kim
- D429,139 S 8/2000 Ahn

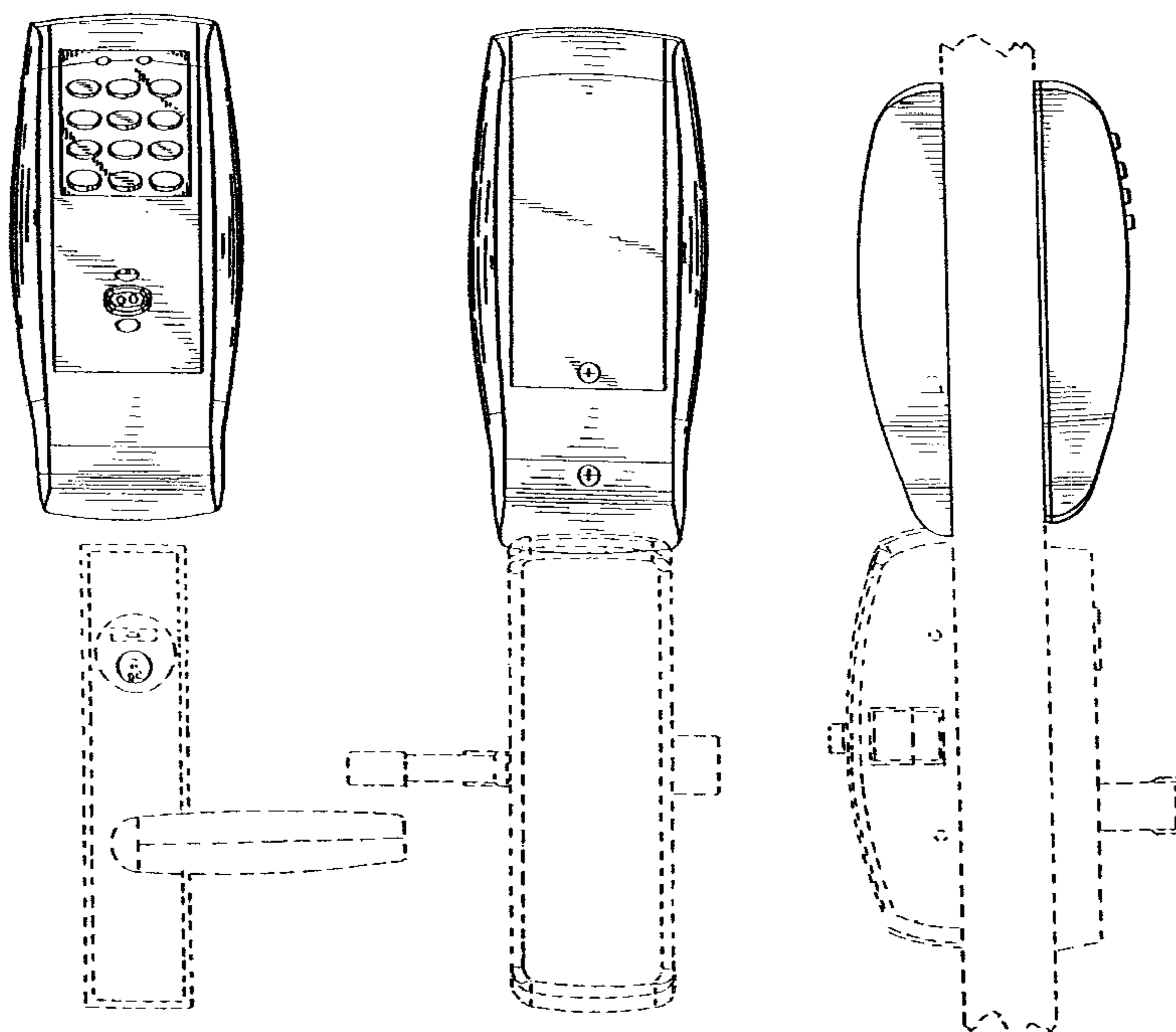
FIG. 4 is a right side elevational of the low profile keypad escutcheon for an exit device seen in FIG. 1.

FIG. 5 is a top plan view of the low profile keypad escutcheon for an exit device seen in FIG. 1; and,

FIG. 6 is a bottom plan view of the low profile keypad escutcheon for an exit device seen in FIG. 1.

The broken lines are for illustrative purposes only and form no part of the claimed design.

1 Claim, 3 Drawing Sheets



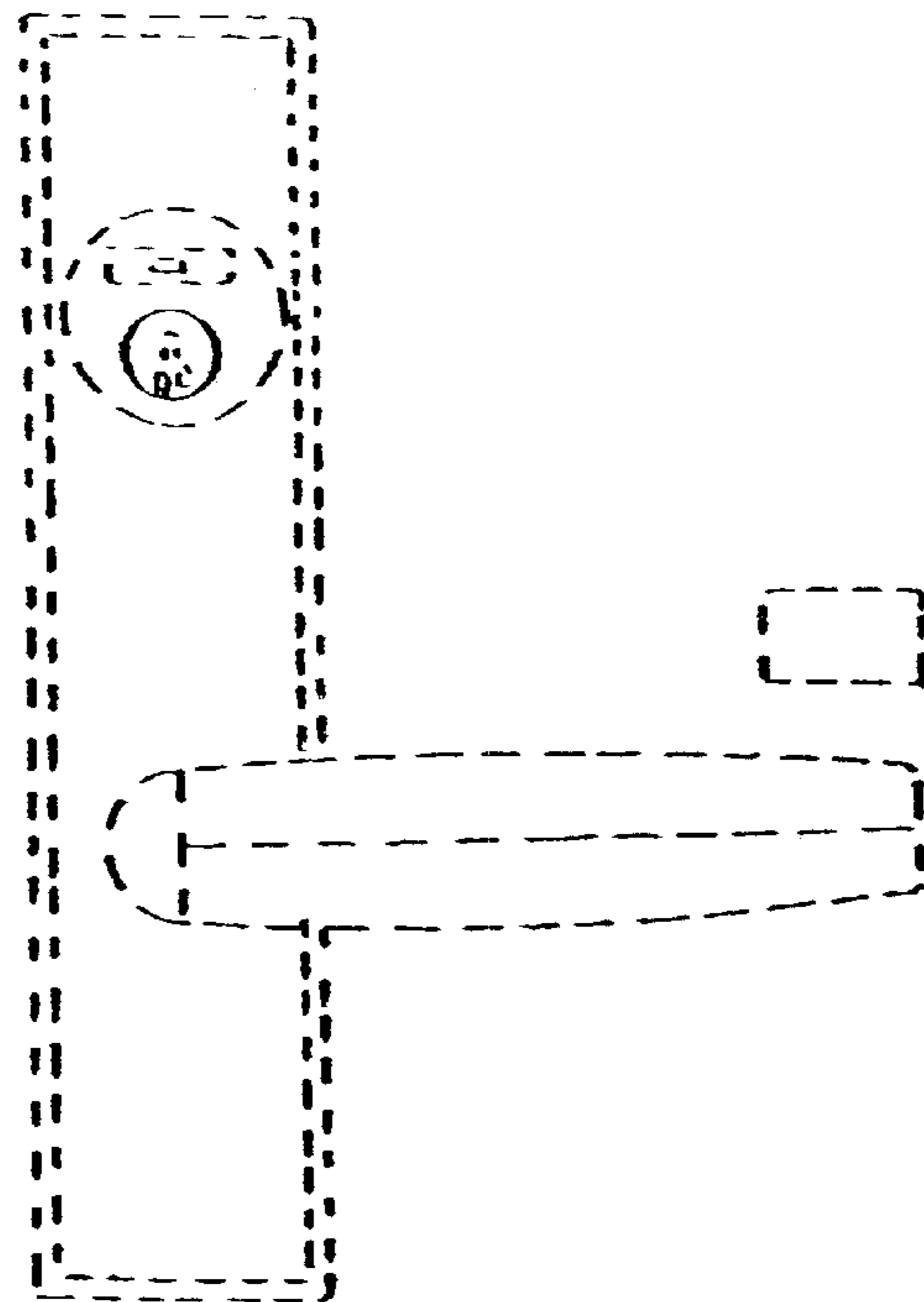
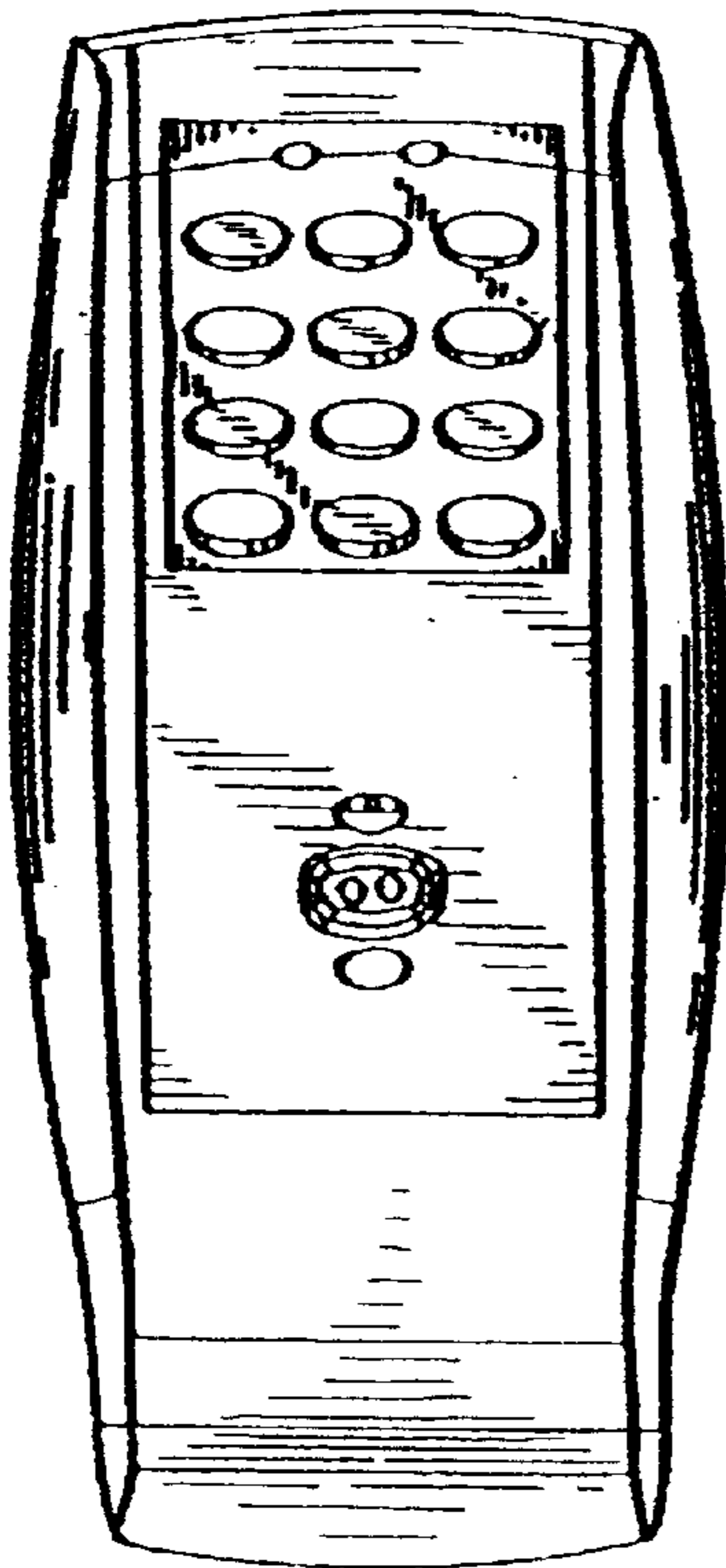


FIG. 1

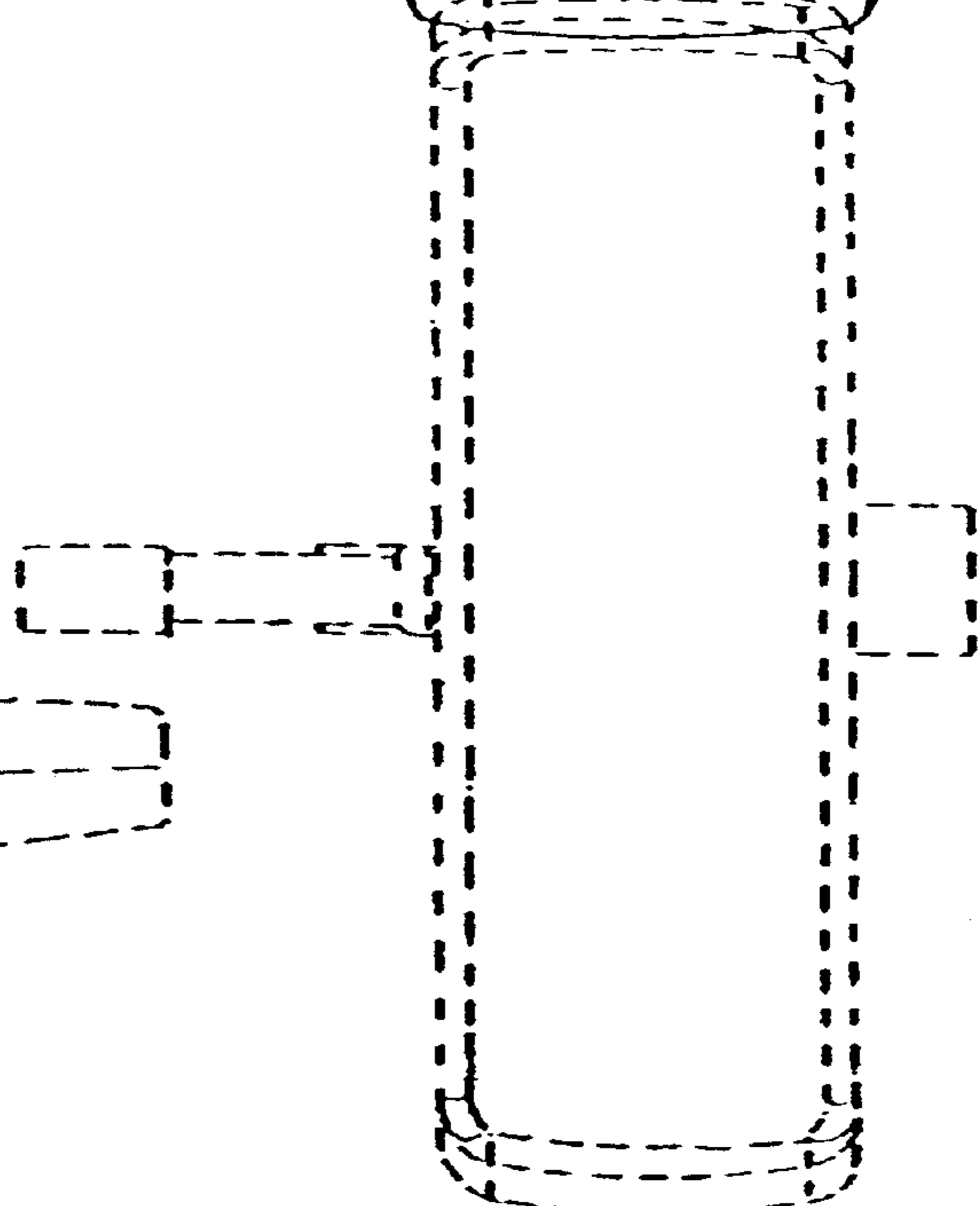
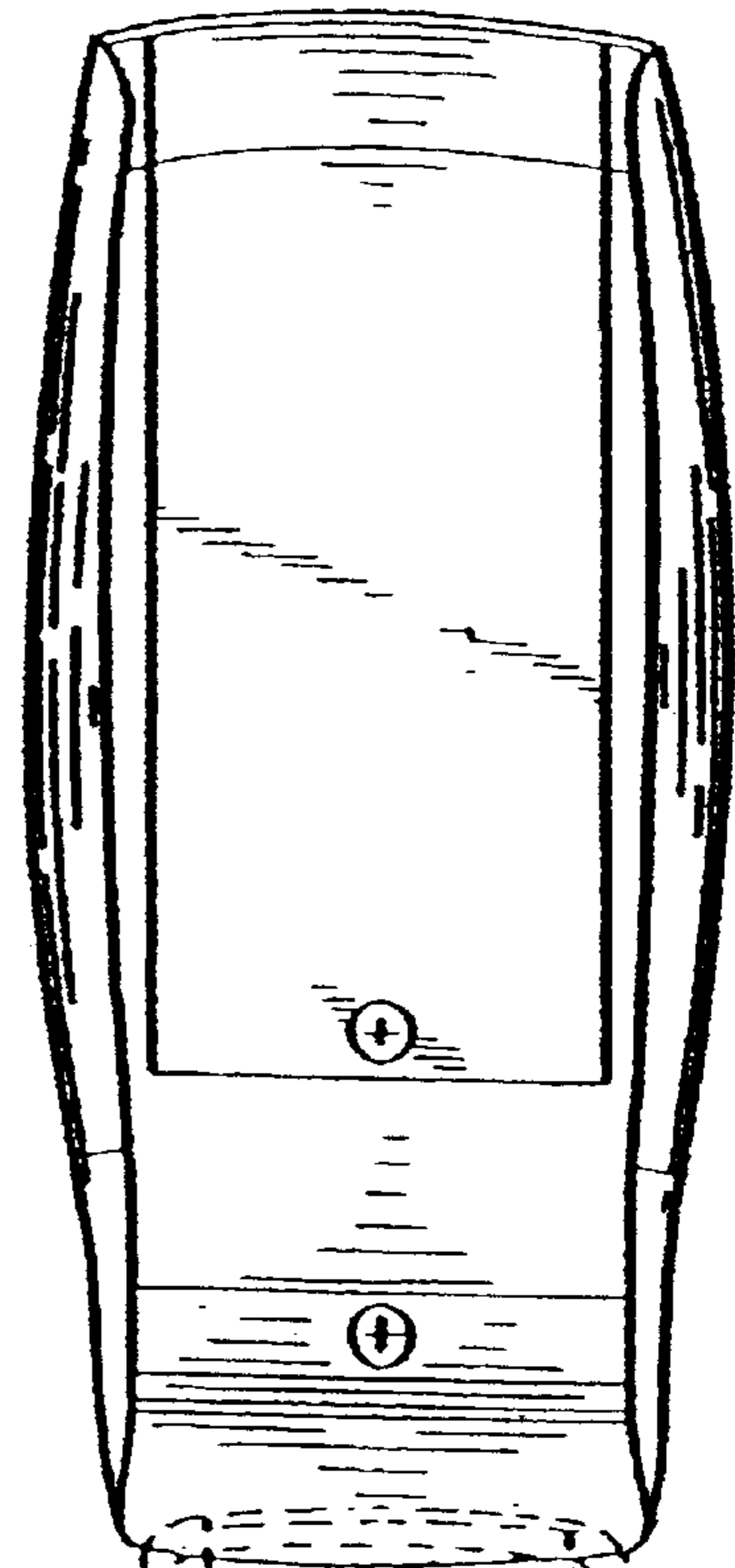


FIG. 2

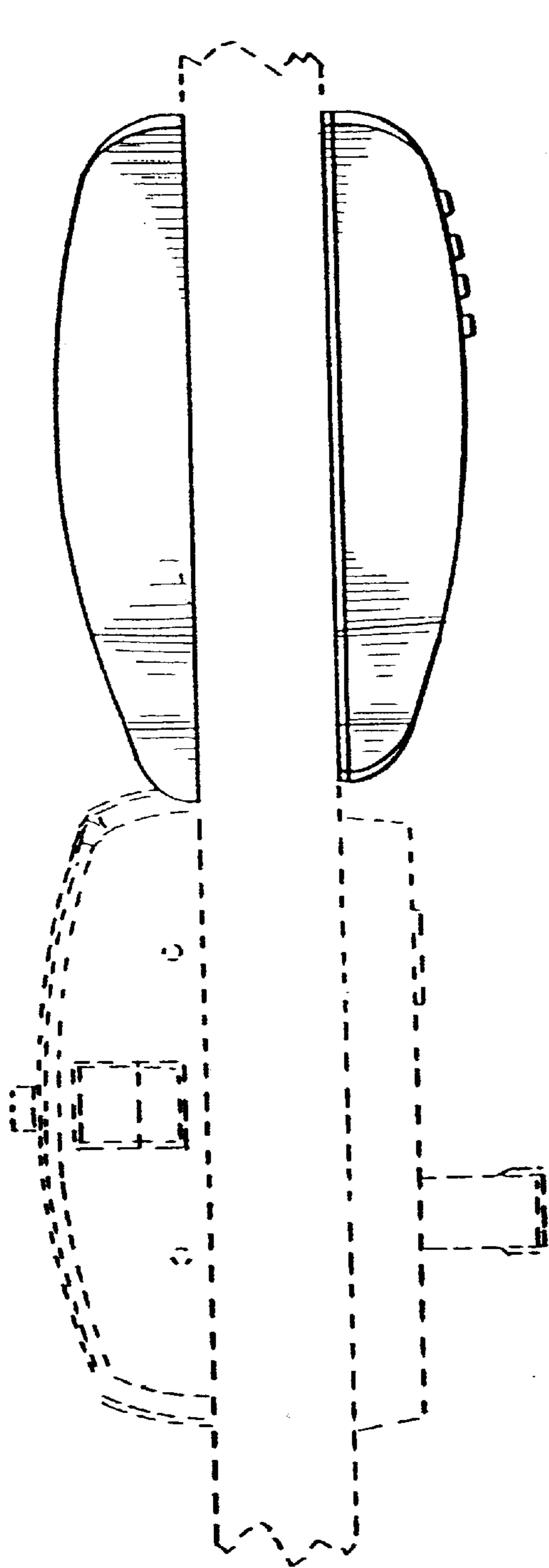


FIG. 3

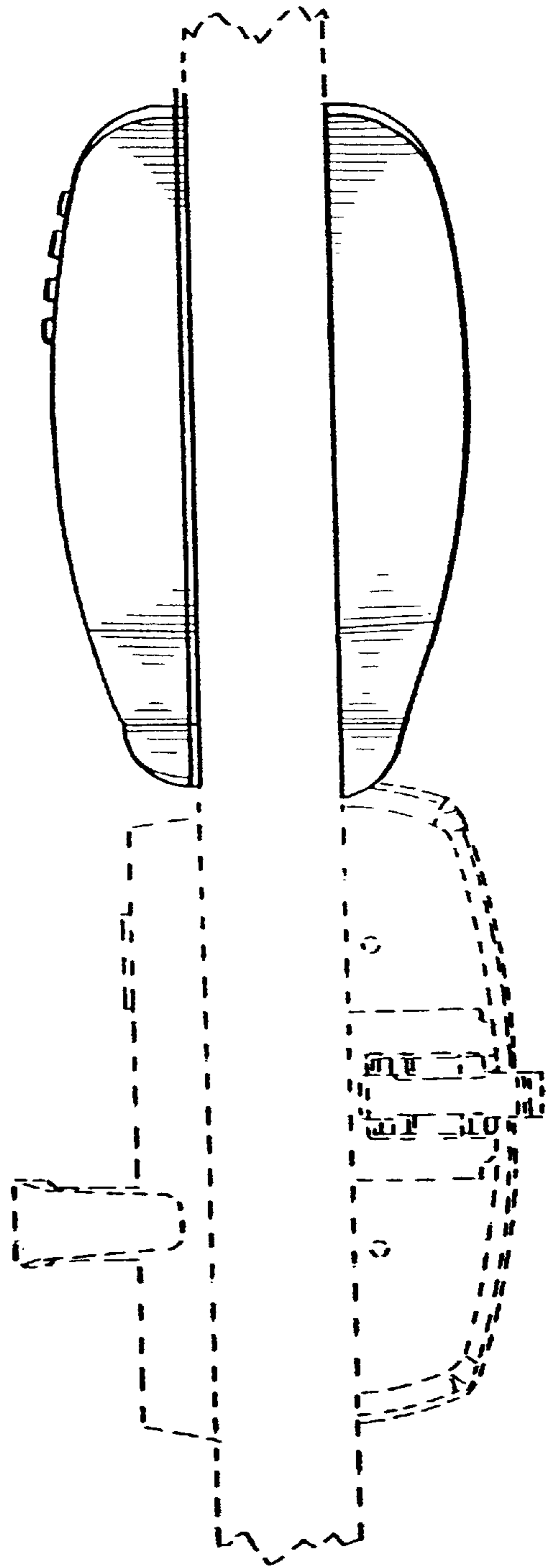


FIG. 4

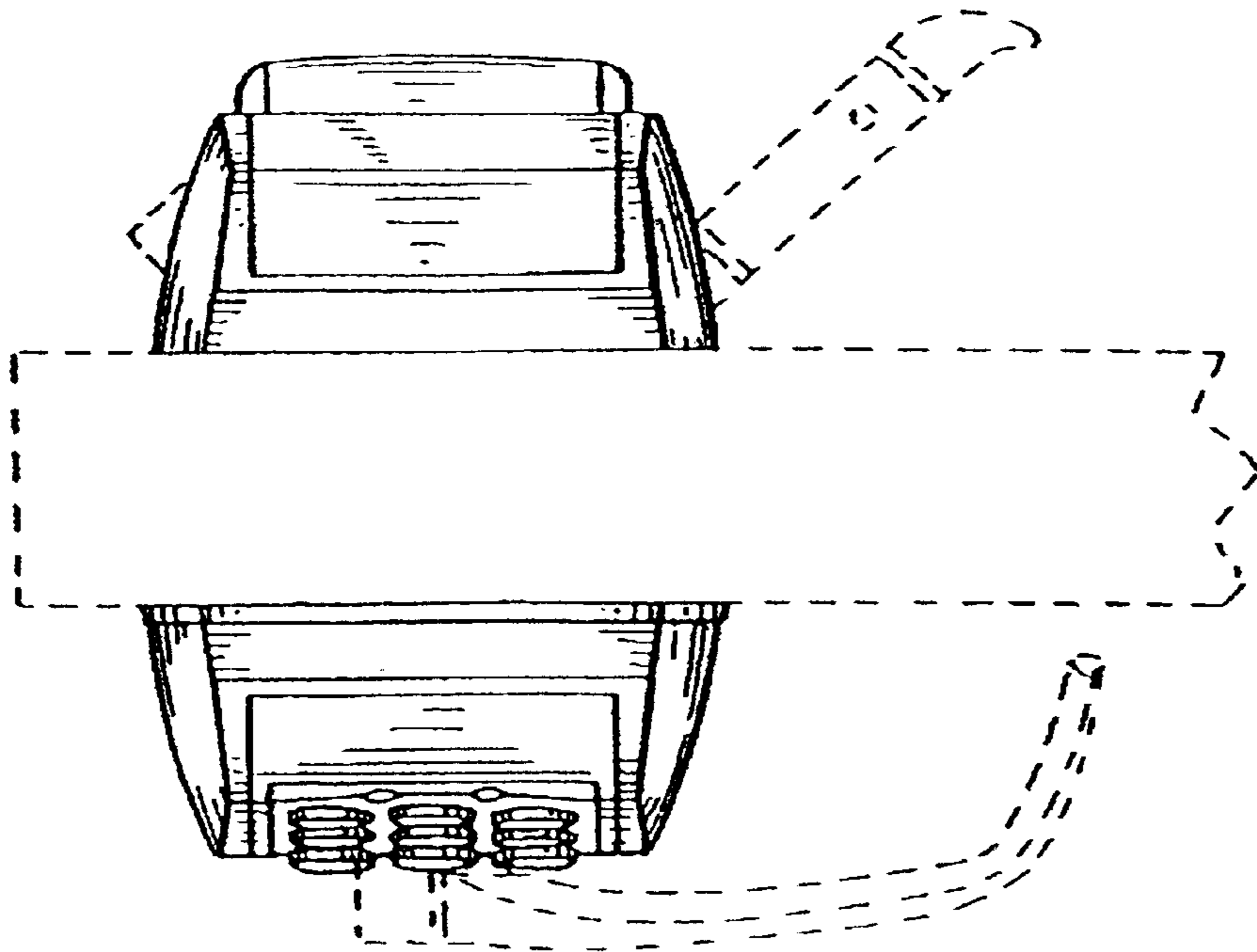


FIG. 5

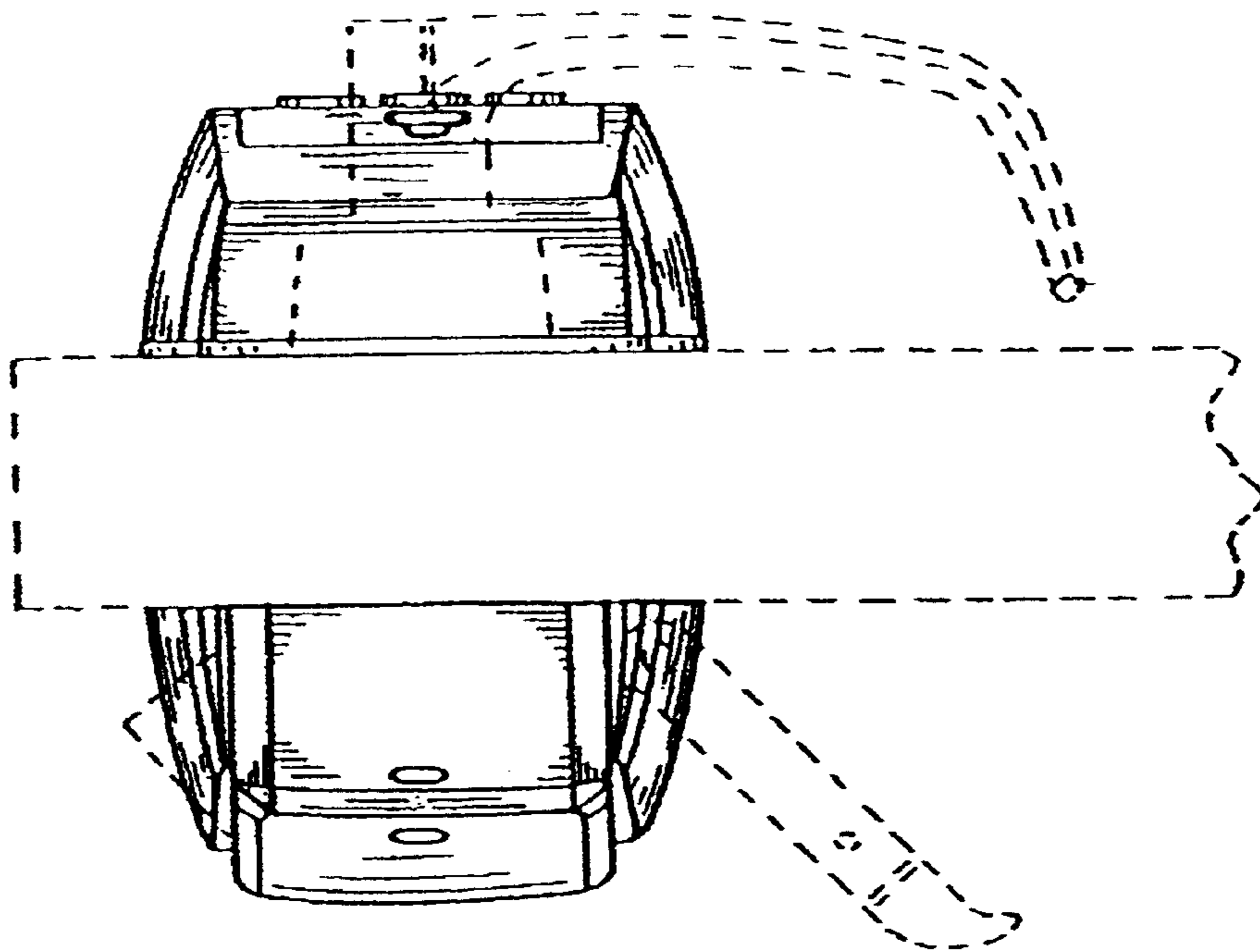


FIG. 6