



US00D474100S

(12) **United States Design Patent**
Zapushek

(10) **Patent No.:** **US D474,100 S**

(45) **Date of Patent:** **** May 6, 2003**

(54) **BICYCLE CUFF LOCK**

(75) Inventor: **John B. Zapushek**, Racine, WI (US)

(73) Assignee: **Master Lock Company**, Milwaukee, WI (US)

(**) Term: **14 Years**

(21) Appl. No.: **29/148,916**

(22) Filed: **Sep. 28, 2001**

(51) **LOC (7) Cl.** **08-08**

(52) **U.S. Cl.** **D8/333**

(58) **Field of Search** D8/330, 331, 333;
70/14, 15, 16, 17, 18, 51, 52, 57, 58

(56) **References Cited**

U.S. PATENT DOCUMENTS

948,310 A	2/1910	Caveny
985,560 A	2/1911	Widmayer
1,000,666 A	8/1911	Caveny
1,056,079 A	3/1913	Wood

(List continued on next page.)

FOREIGN PATENT DOCUMENTS

CH	171637	11/1934
IT	419112	3/1947
JP	10152082	6/1998

Primary Examiner—Brian N. Vinson

(74) *Attorney, Agent, or Firm*—Calfee, Halter & Griswold LLP

(57) **CLAIM**

The ornamental design for a bicycle cuff lock, as shown and described.

DESCRIPTION

FIG. 1 is a perspective view of a bicycle cuff lock showing the new design;

FIG. 2 is a right view of the bicycle cuff lock of FIG. 1;

FIG. 3 is a front end view of the bicycle cuff lock of FIG. 1;

FIG. 4 is a bottom view of the bicycle cuff lock of FIG. 1;

FIG. 5 is back end view of the bicycle cuff lock of FIG. 1;

FIG. 6 is a left view of the bicycle cuff lock of FIG. 1;

FIG. 7 is a top of the bicycle cuff lock shown in FIG. 1;

FIG. 8 is a perspective view of a bicycle cuff lock shown in FIG. 1 showing the cuff locks engaged;

FIG. 9 is a right view of the bicycle cuff lock of FIG. 8;

FIG. 10 is a front end view of the bicycle cuff lock of FIG. 8;

FIG. 11 is a bottom view of the bicycle cuff lock of FIG. 8;

FIG. 12 is back end view of the bicycle cuff lock of FIG. 8;

FIG. 13 is a left view of the bicycle cuff lock of FIG. 8;

FIG. 14 is a top of the bicycle cuff lock shown in FIG. 8;

FIG. 15 is a perspective view of a second embodiment of a bicycle cuff lock showing the new design;

FIG. 16 is a right view of the bicycle cuff lock of FIG. 15;

FIG. 17 is a front end view of the bicycle cuff lock of FIG. 15;

FIG. 18 is a bottom view of the bicycle cuff lock of FIG. 15;

FIG. 19 is back end view of the bicycle cuff lock of FIG. 15;

FIG. 20 is a left view of the bicycle cuff lock of FIG. 15;

FIG. 21 is a top of the bicycle cuff lock shown in FIG. 15;

FIG. 22 is a perspective view of a bicycle cuff lock shown in FIG. 15 showing the cuff locks engaged;

FIG. 23 is a right view of the bicycle cuff lock of FIG. 22;

FIG. 24 is a front end view of the bicycle cuff lock of FIG. 22;

FIG. 25 is a bottom view of the bicycle cuff lock of FIG. 22;

FIG. 26 is back end view of the bicycle cuff of FIG. 22;

FIG. 27 is a left view of the bicycle cuff lock of FIG. 22;

FIG. 28 is a top of the bicycle cuff lock shown in FIG. 22;

FIG. 29 is a perspective view of a third embodiment of a bicycle cuff lock showing the new design;

FIG. 30 is a right view of the bicycle cuff lock of FIG. 29;

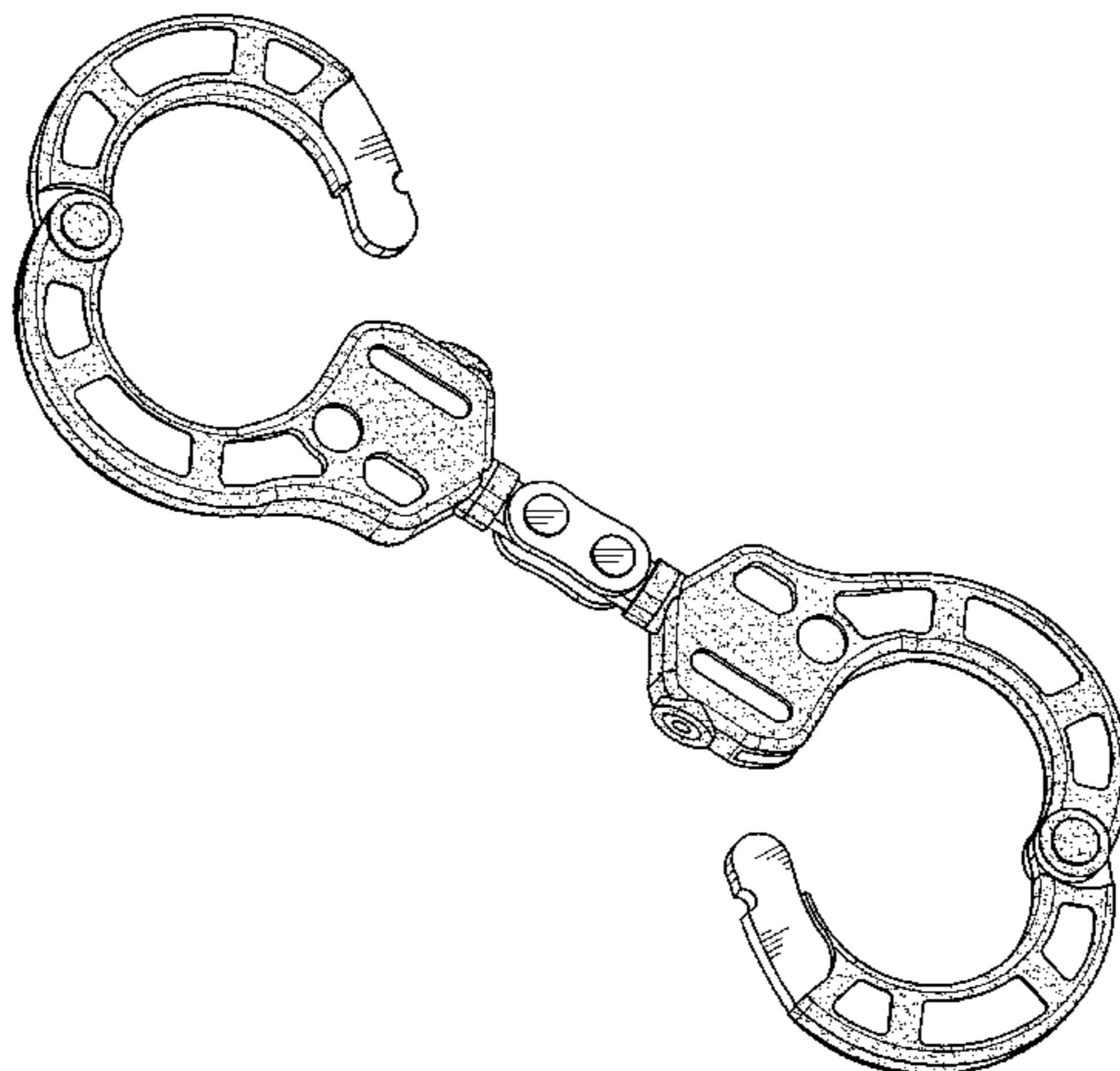
FIG. 31 is a front end view of the bicycle cuff lock of FIG. 29;

FIG. 32 is a bottom view of the bicycle cuff lock of FIG. 29;

FIG. 33 is back end view of the bicycle cuff lock of FIG. 29;

and,
FIG. 34 is a left view of the bicycle cuff lock of FIG. 29.

1 Claim, 15 Drawing Sheets



US D474,100 S

Page 2

U.S. PATENT DOCUMENTS

1,247,532 A	11/1917	Heath	D332,043 S	* 12/1992	Linhart	D8/333
1,579,830 A	4/1926	Murphy	5,205,142 A	4/1993	Kruger et al.	
2,098,189 A	11/1937	Kistner	5,251,465 A	10/1993	Hwang	
3,392,554 A	7/1968	Williamson	D345,292 S	* 3/1994	Tipton	D8/333
3,618,345 A	11/1971	Smith	5,400,629 A	3/1995	Myers	
3,921,422 A	11/1975	Walters	D359,397 S	* 6/1995	McPhee	D6/370
4,009,599 A	3/1977	Patriquin	5,447,049 A	9/1995	Shieh	
4,068,504 A	* 1/1978	Pickard	5,490,402 A	2/1996	Shieh	
4,089,195 A	5/1978	Lai	D369,440 S	* 4/1996	Mariano	D8/333 X
4,418,554 A	12/1983	Wolfgang	5,642,635 A	* 7/1997	Wen-Chyun	70/58 X
4,697,441 A	10/1987	Allen	D390,771 S	* 2/1998	Egger	D8/333
4,956,983 A	9/1990	Okamura et al.	5,720,191 A	2/1998	Tsung-Chuan et al.	
5,133,203 A	7/1992	Huang				

* cited by examiner

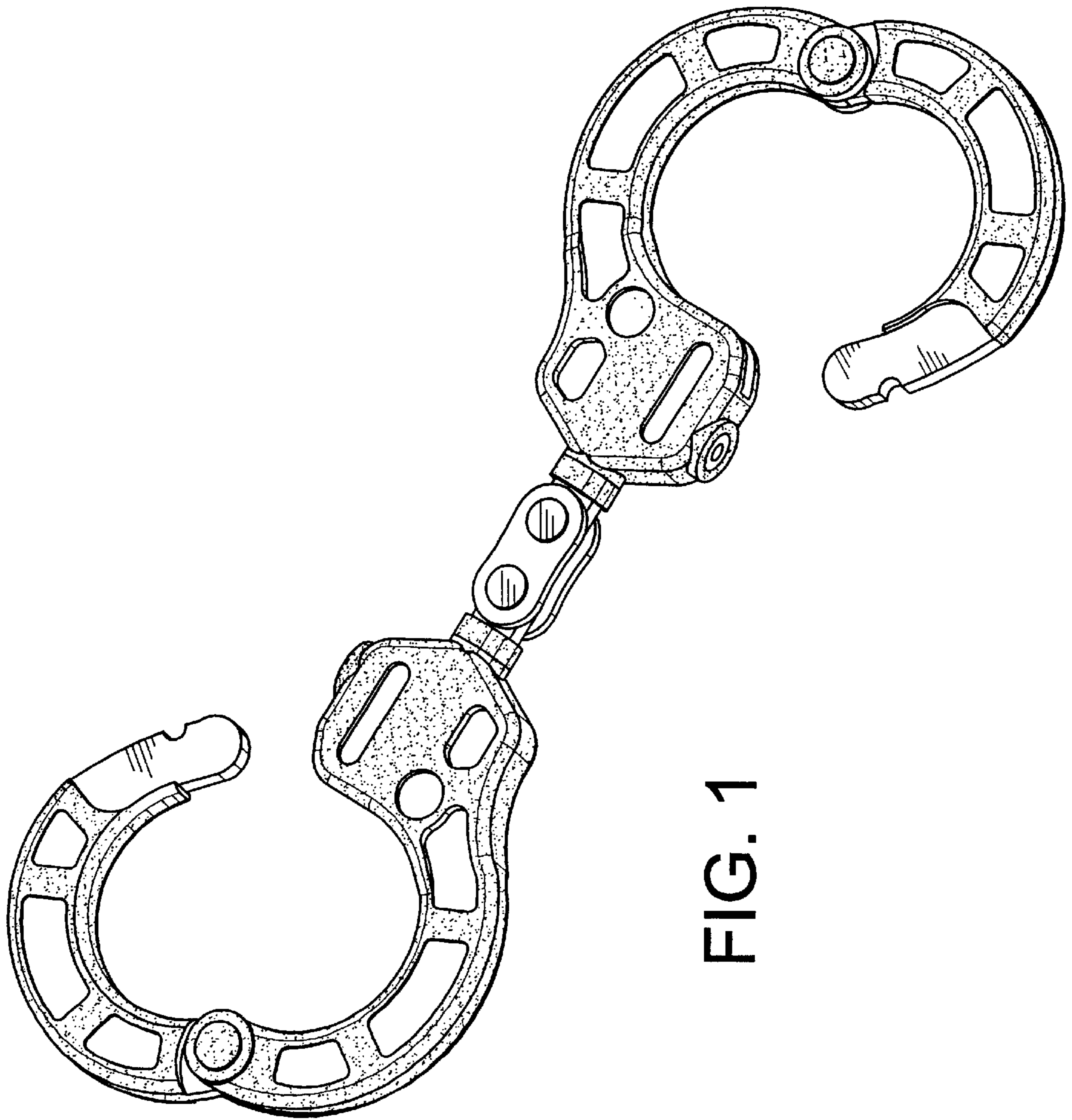


FIG. 1

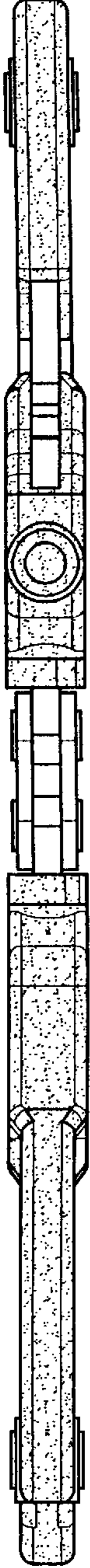


FIG. 2



FIG. 5

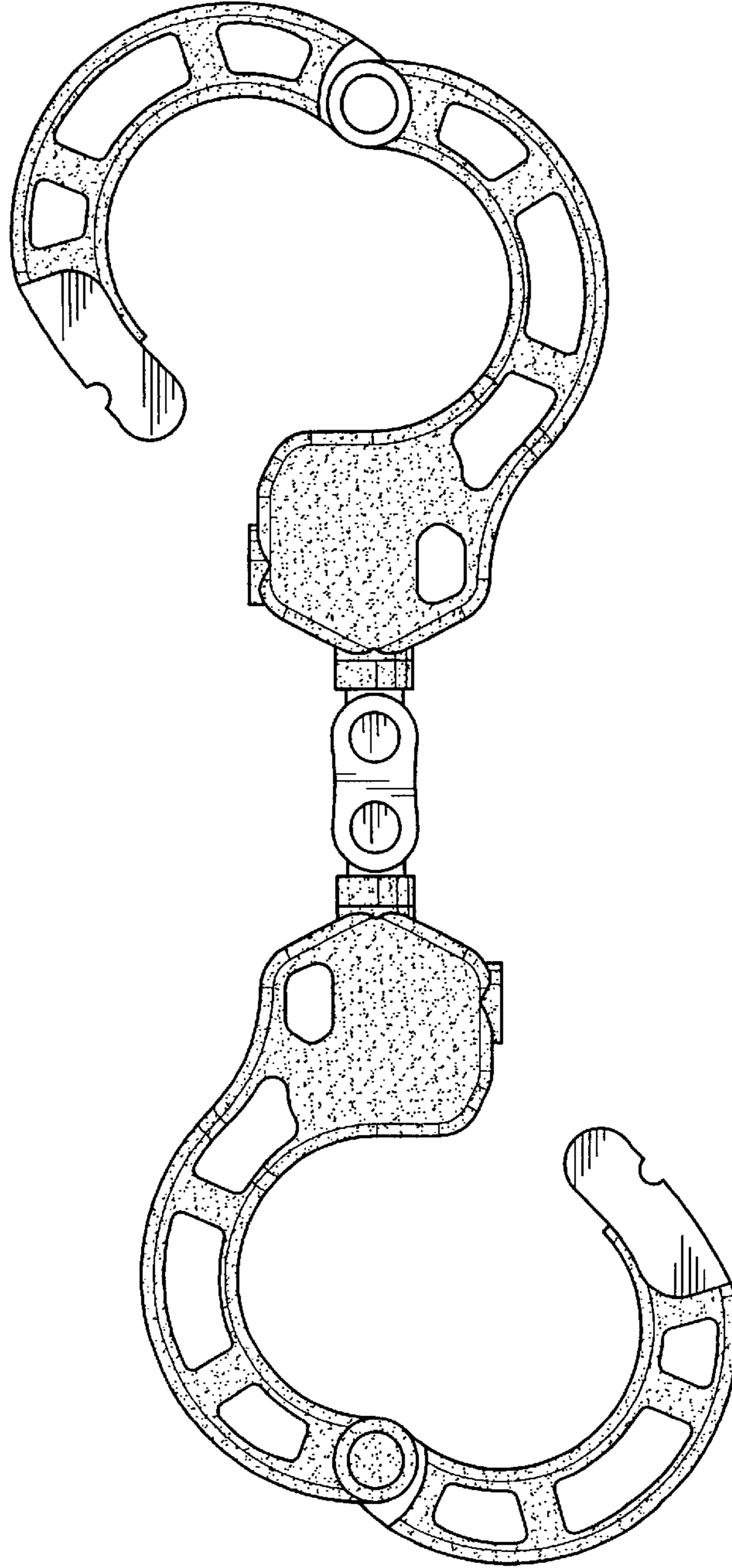


FIG. 4



FIG. 3

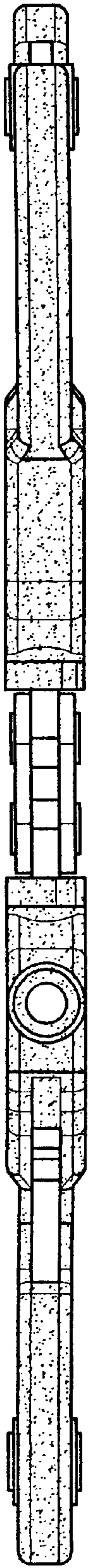


FIG. 6

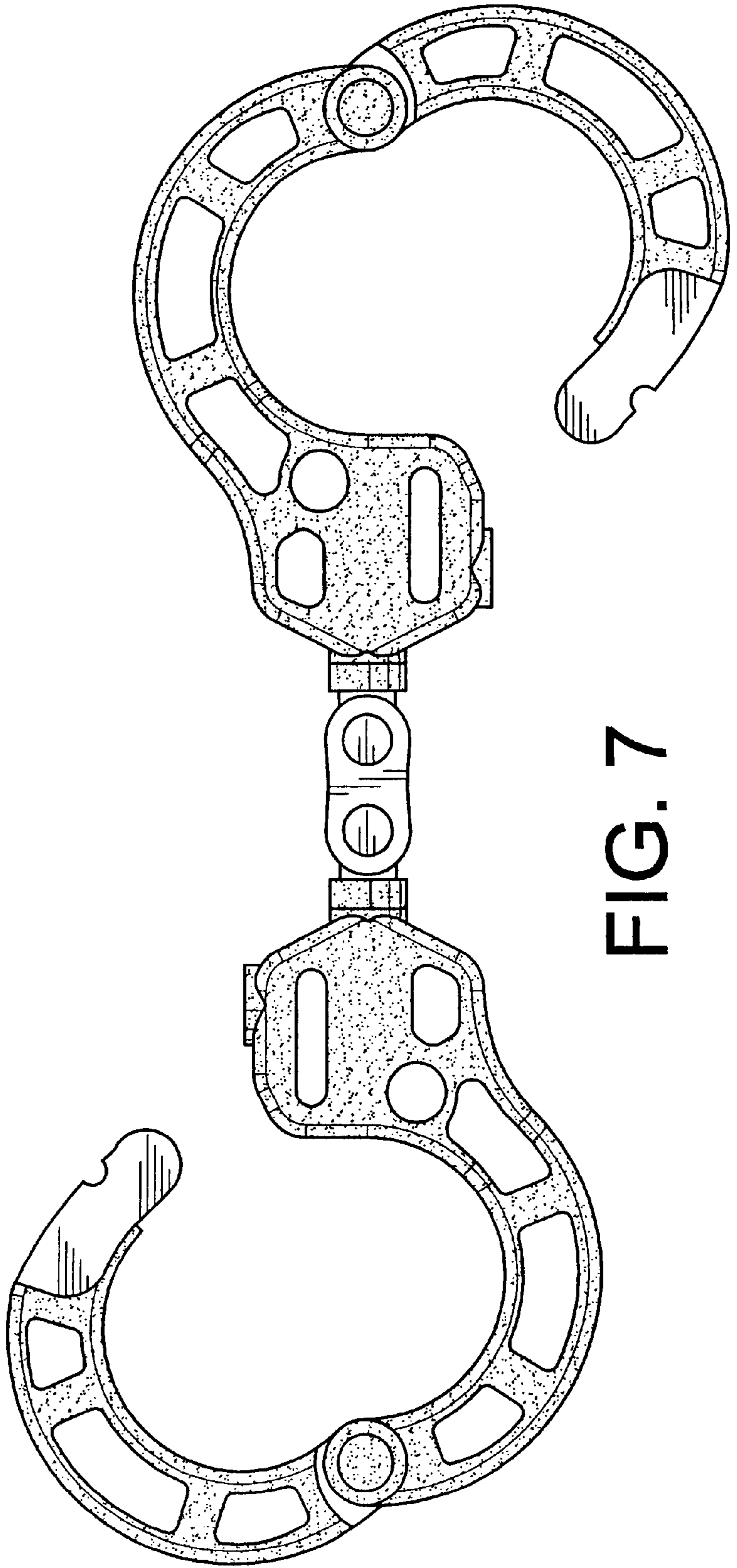


FIG. 7

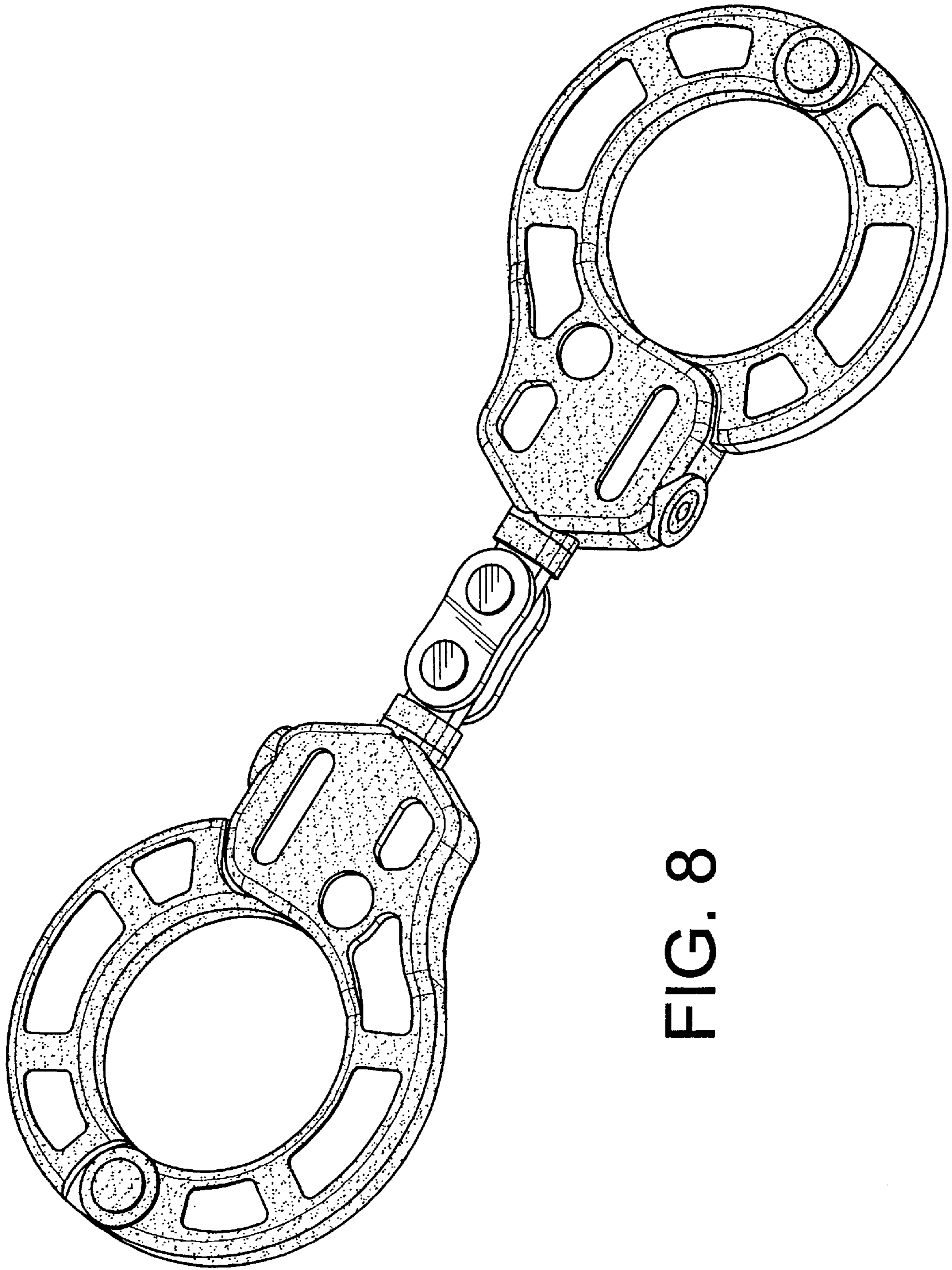


FIG. 8

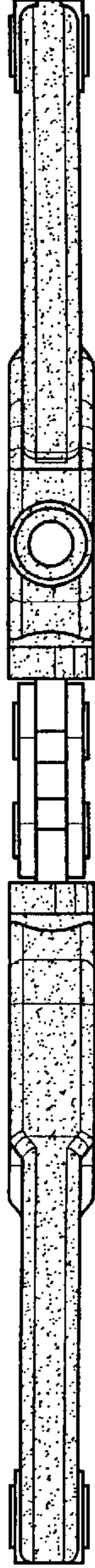


FIG. 9

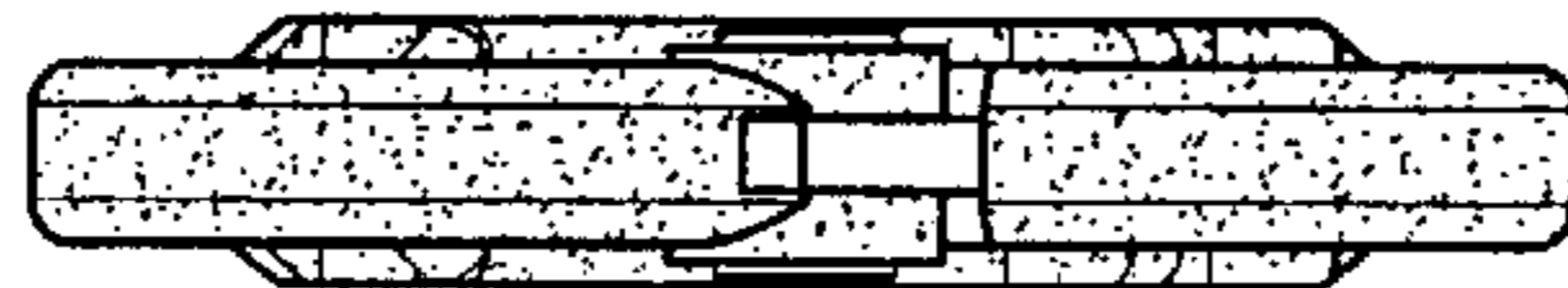
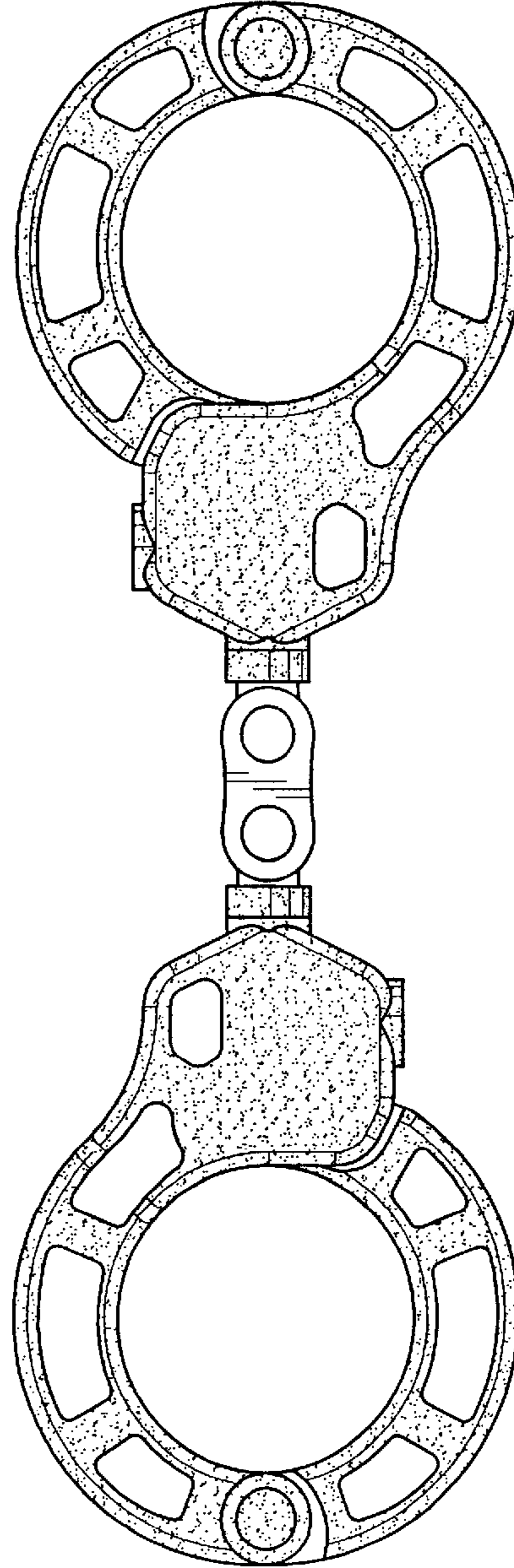


FIG. 10

FIG. 11

FIG. 12

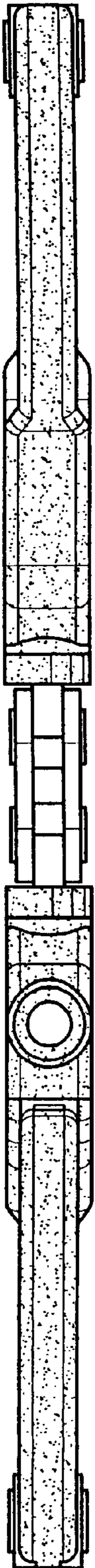


FIG. 13

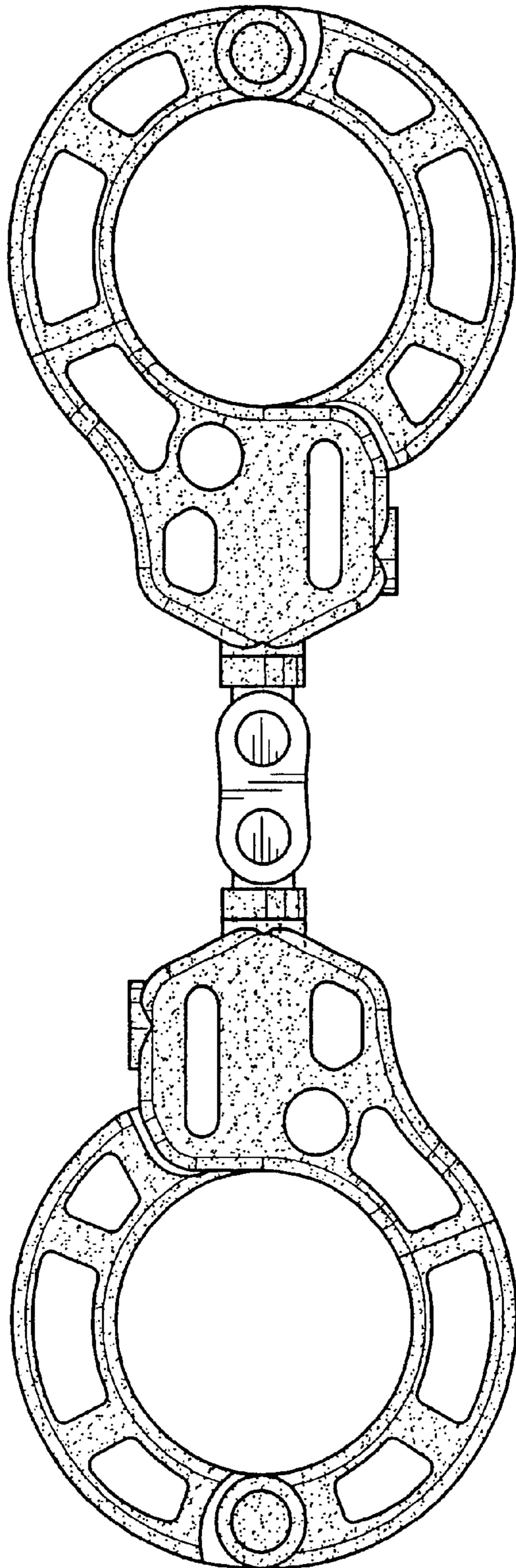


FIG. 14

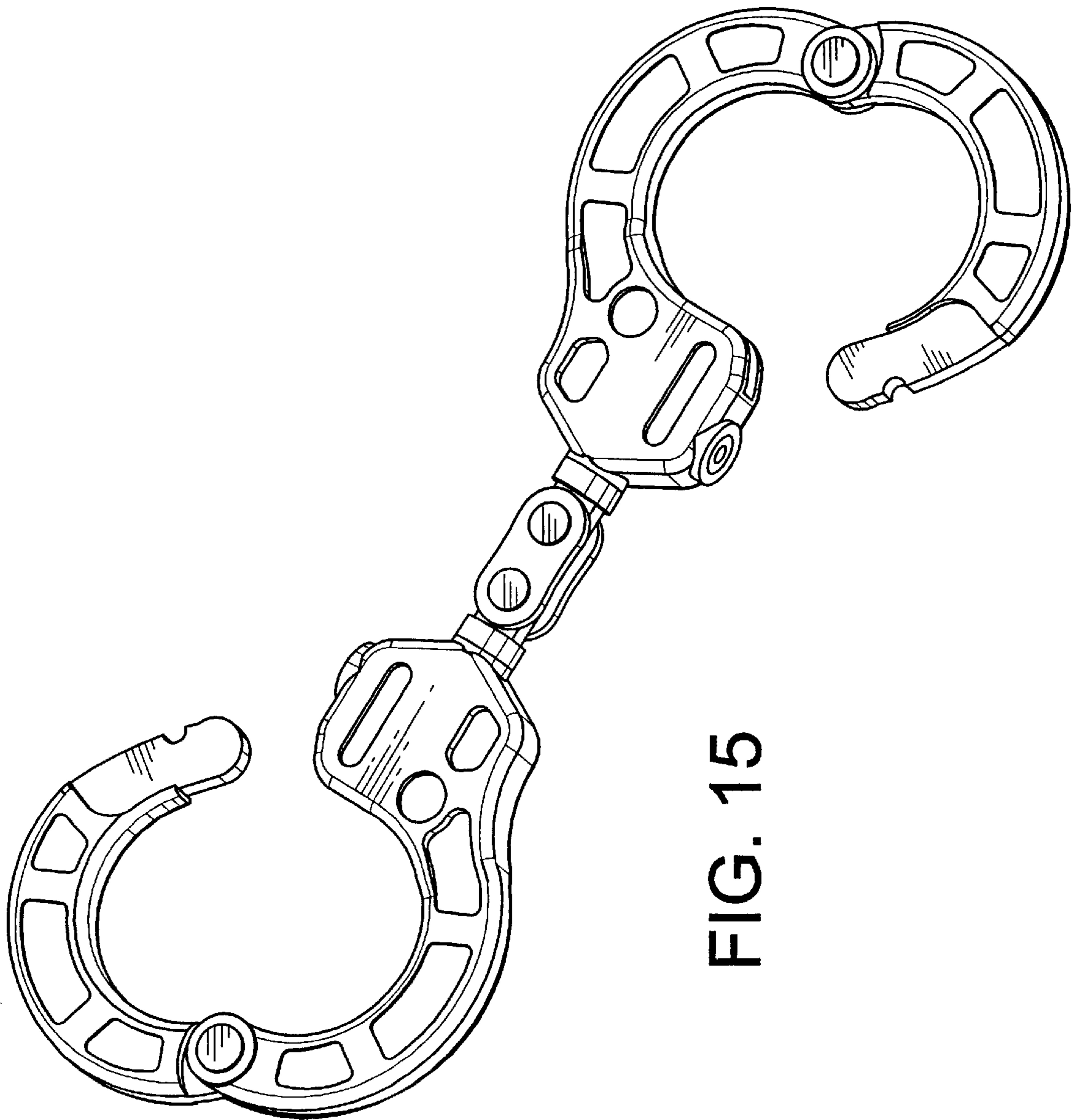


FIG. 15

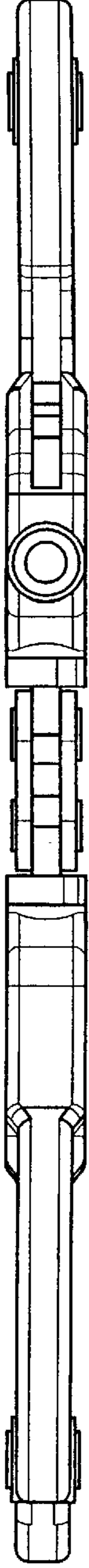


FIG. 16

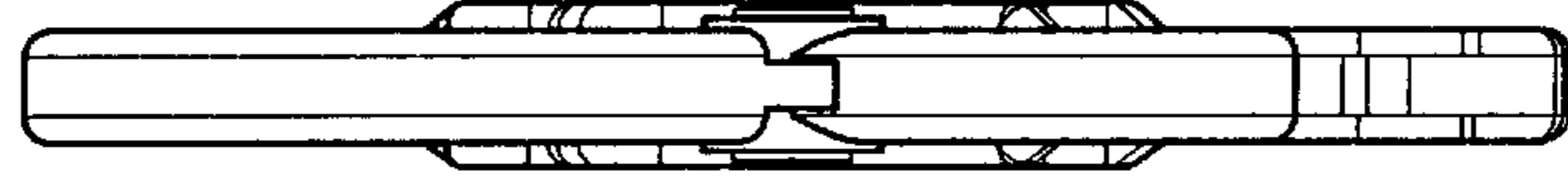


FIG. 19

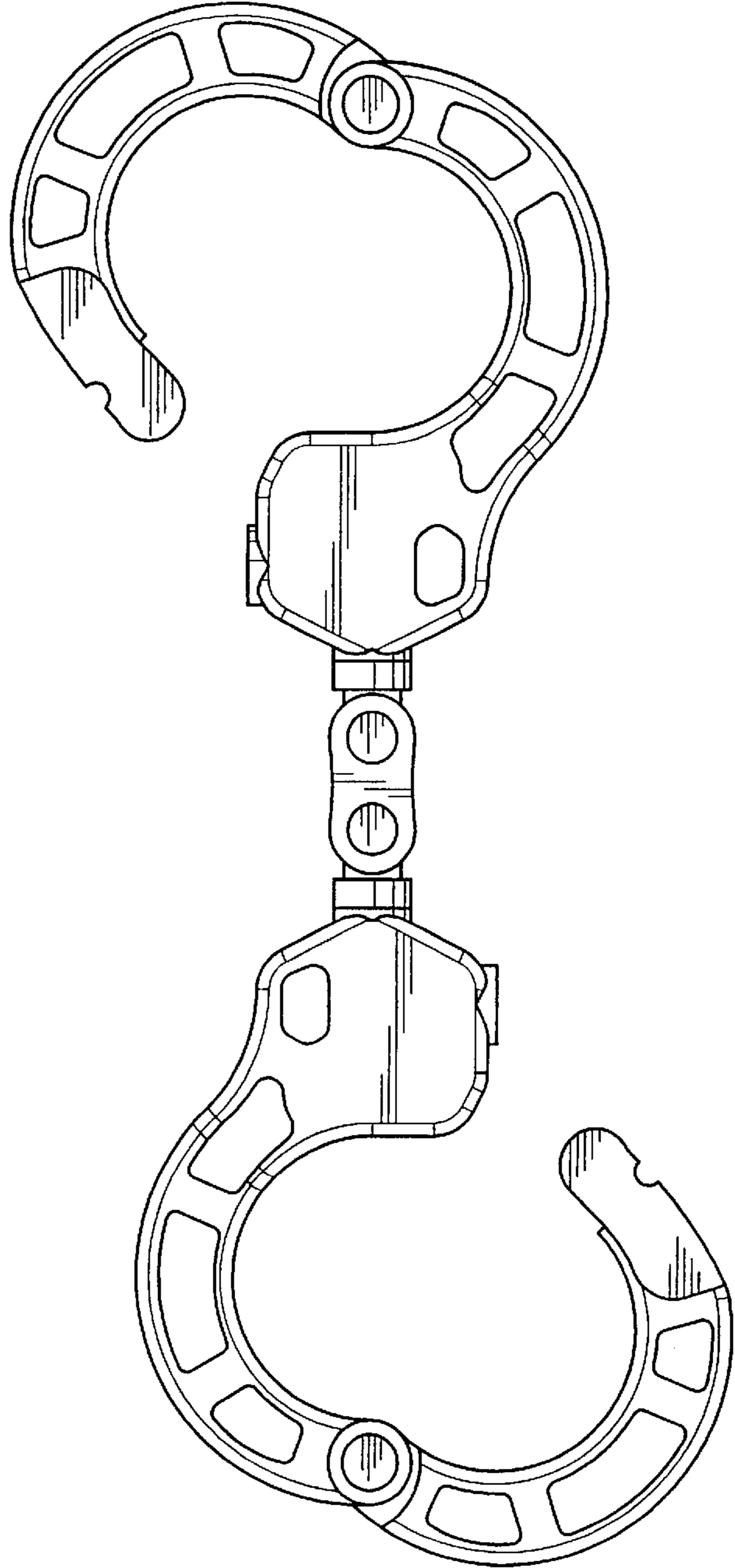


FIG. 17

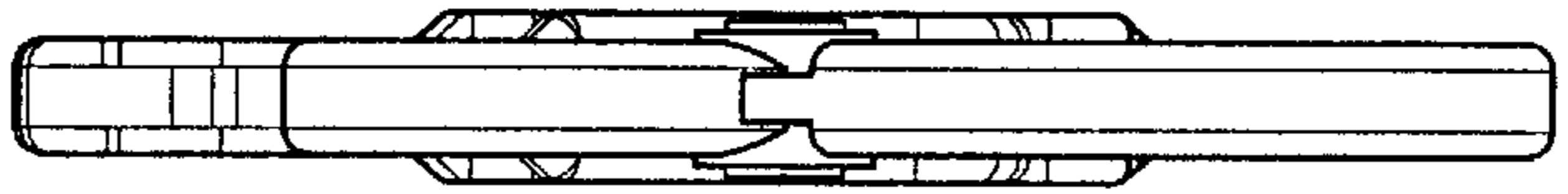


FIG. 18

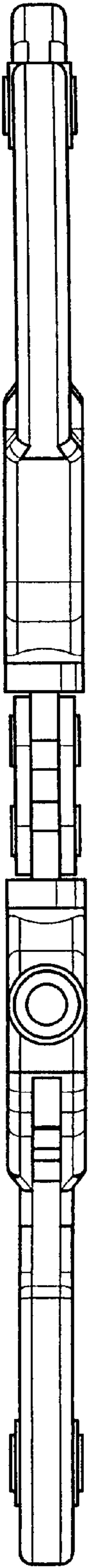


FIG. 20

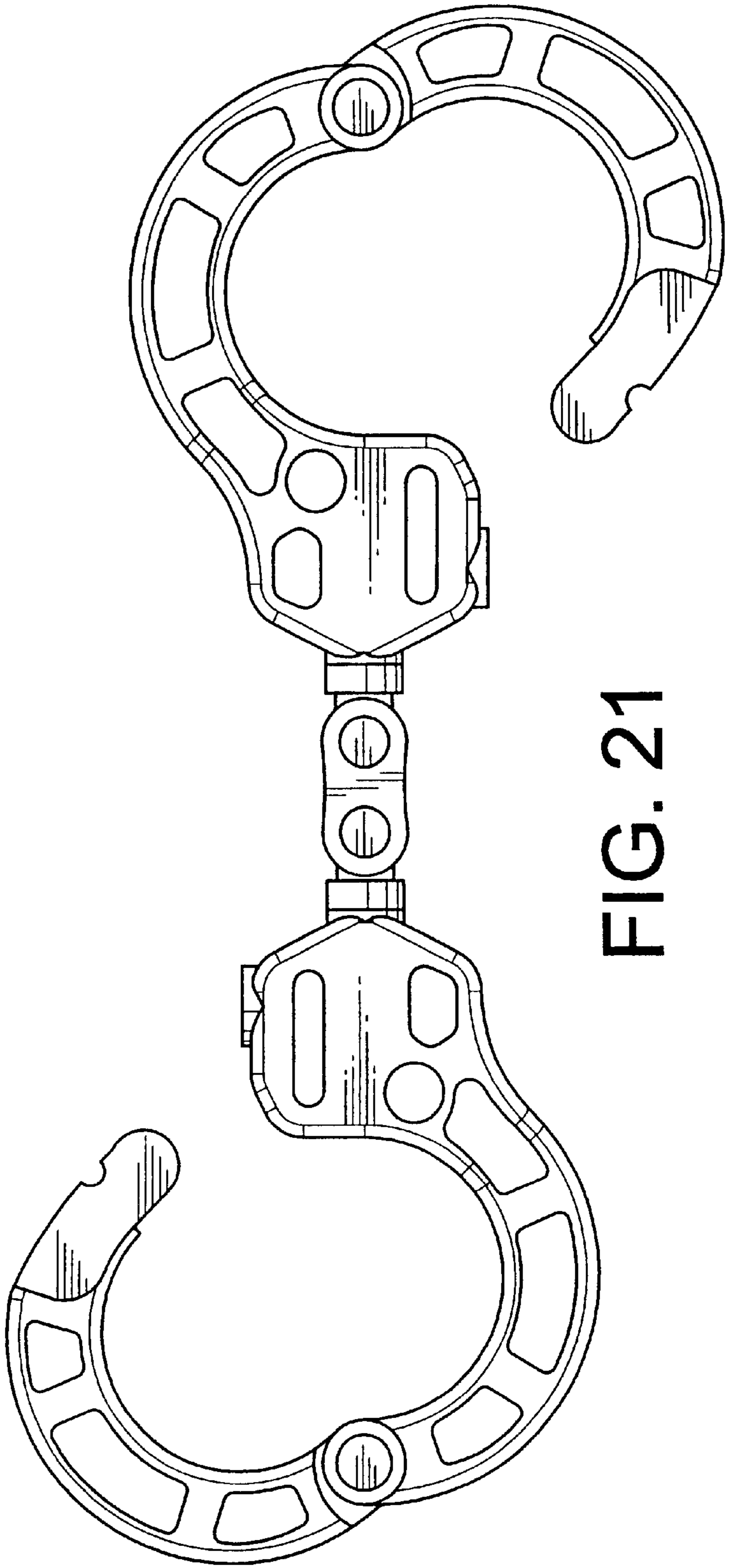


FIG. 21

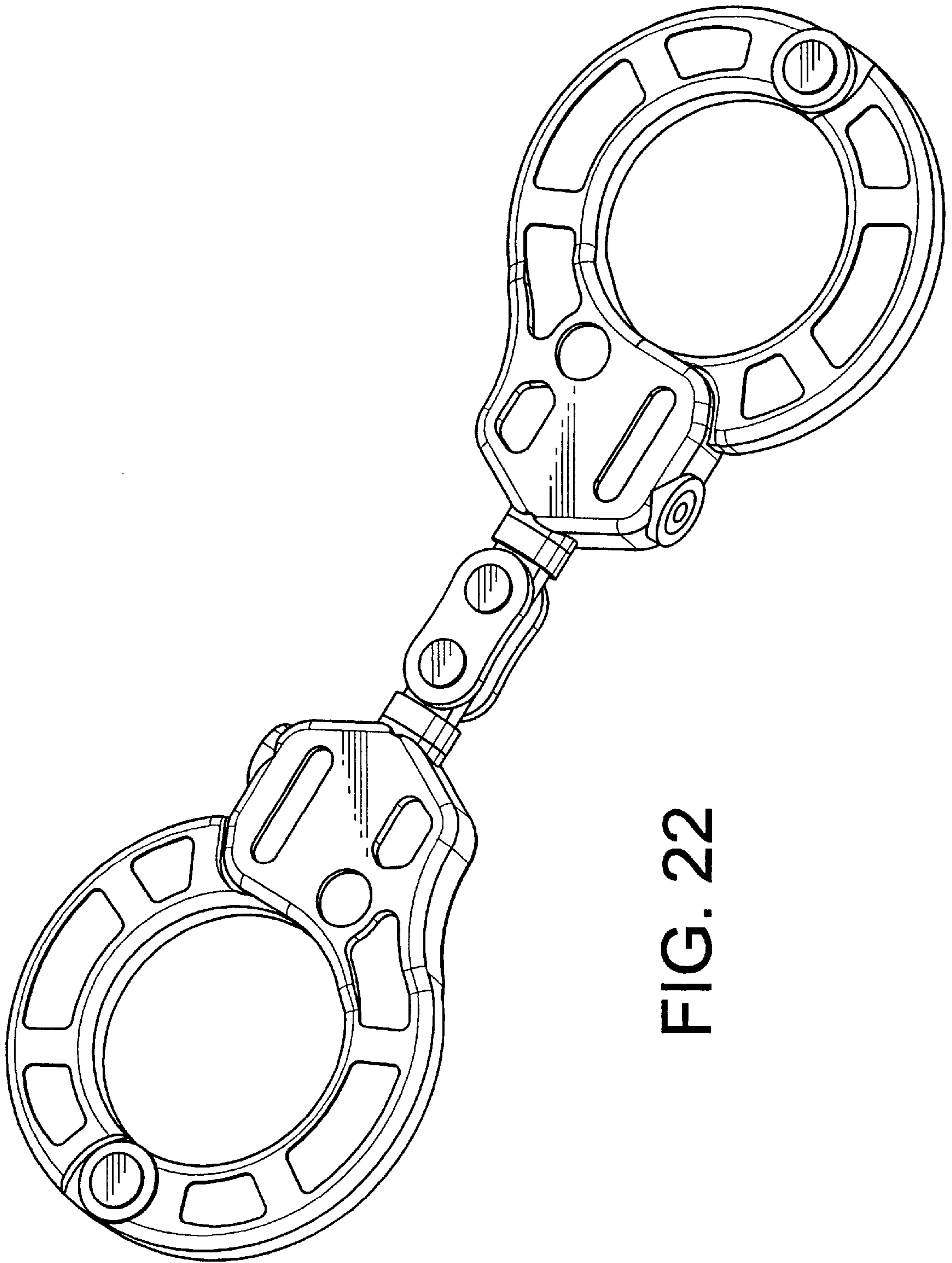


FIG. 22

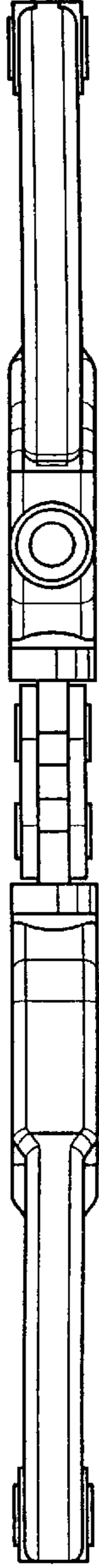


FIG. 23

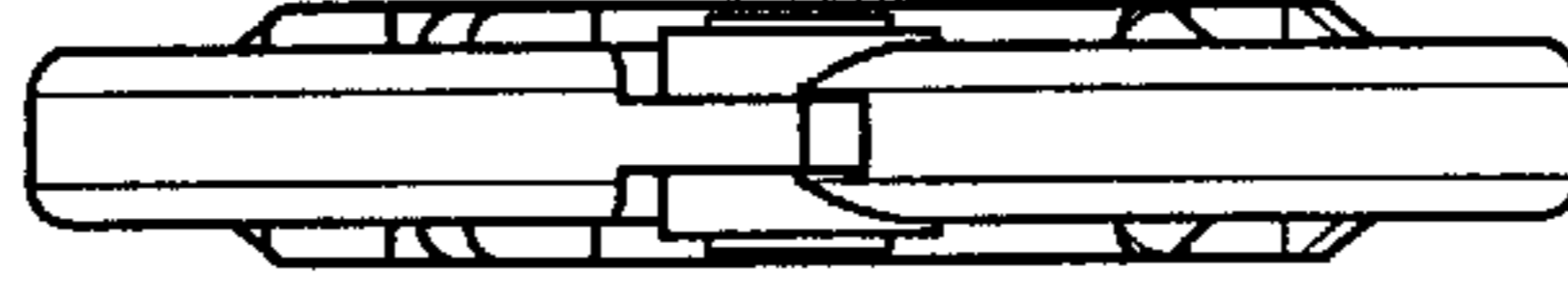


FIG. 26

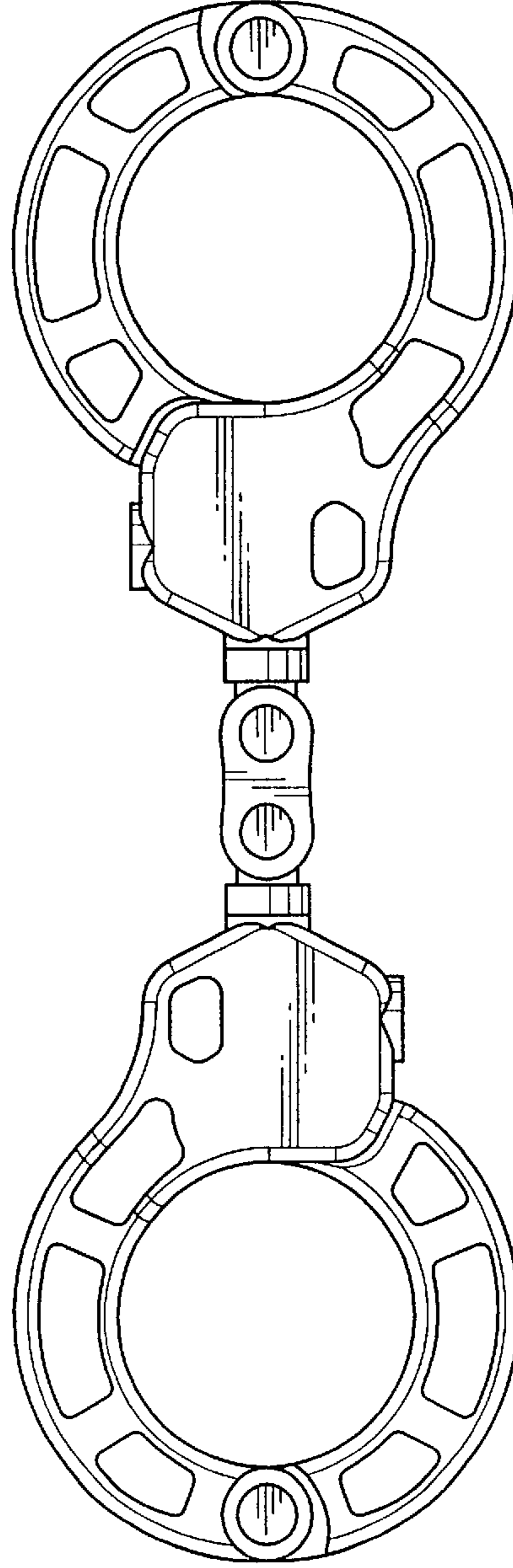


FIG. 24

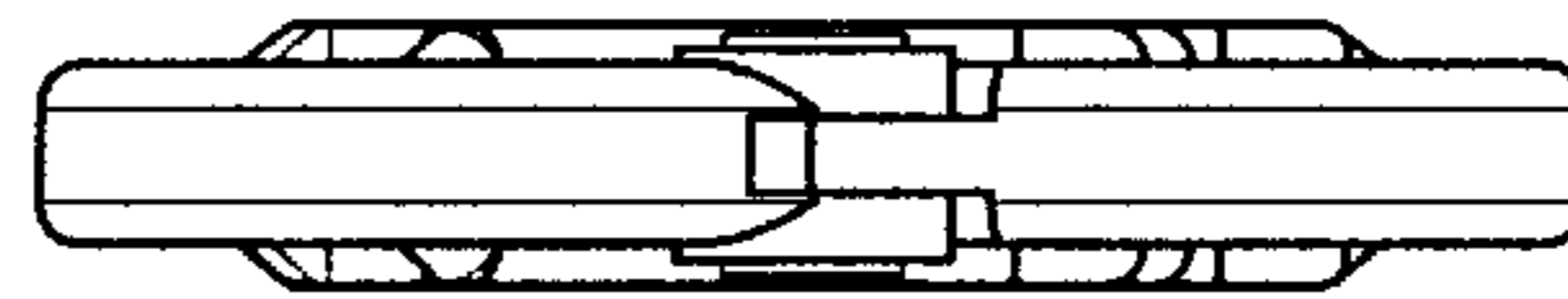


FIG. 25

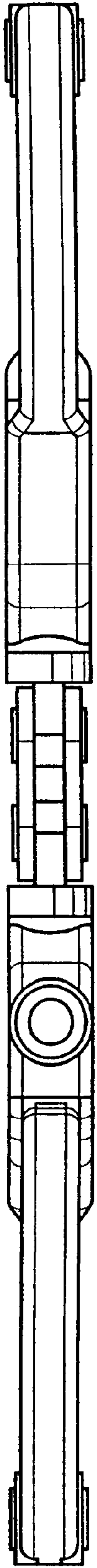


FIG. 27

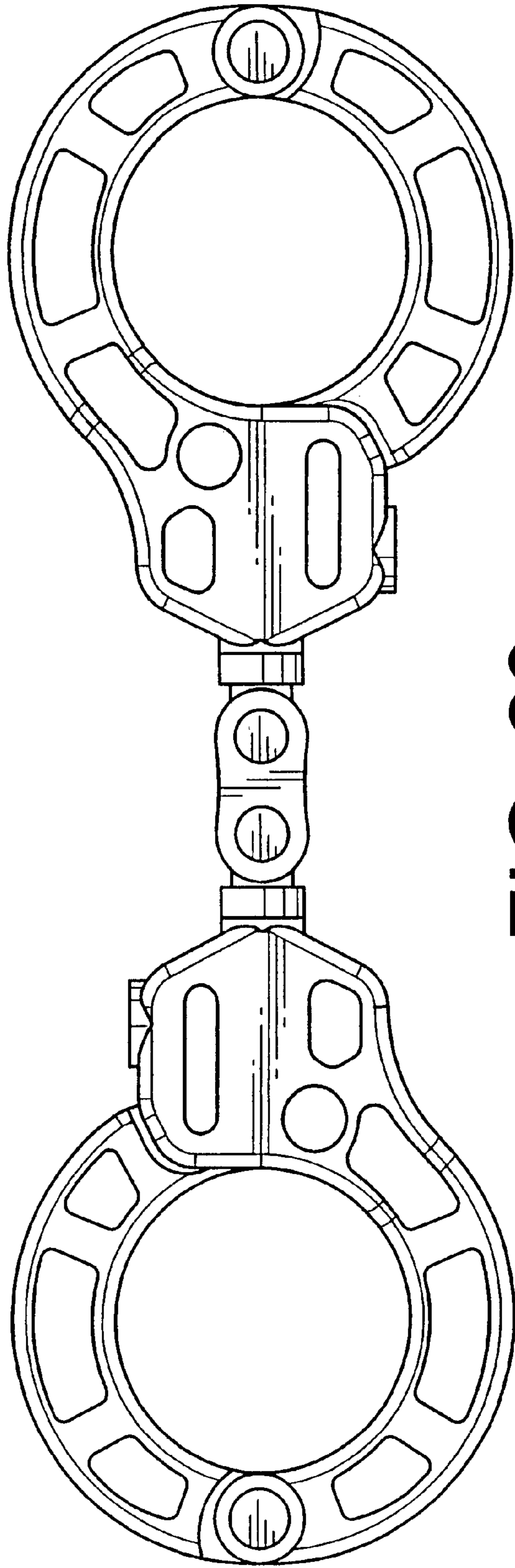


FIG. 28

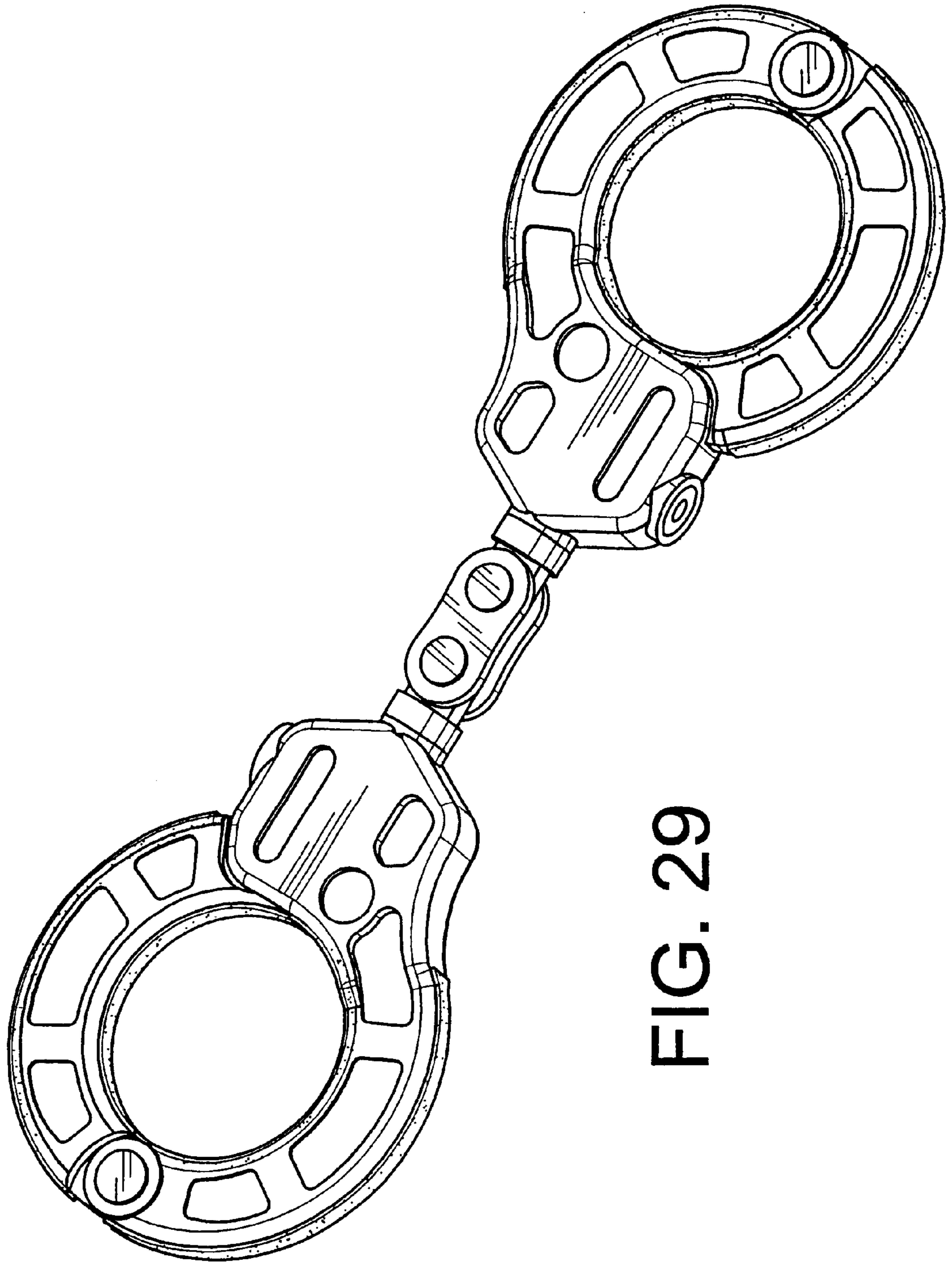


FIG. 29

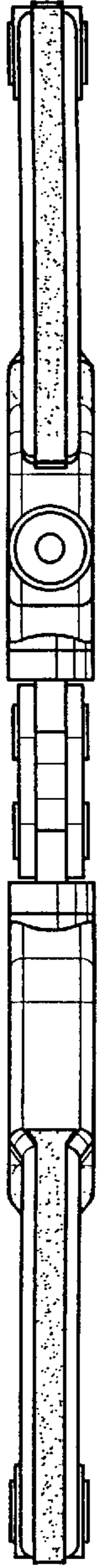


FIG. 30

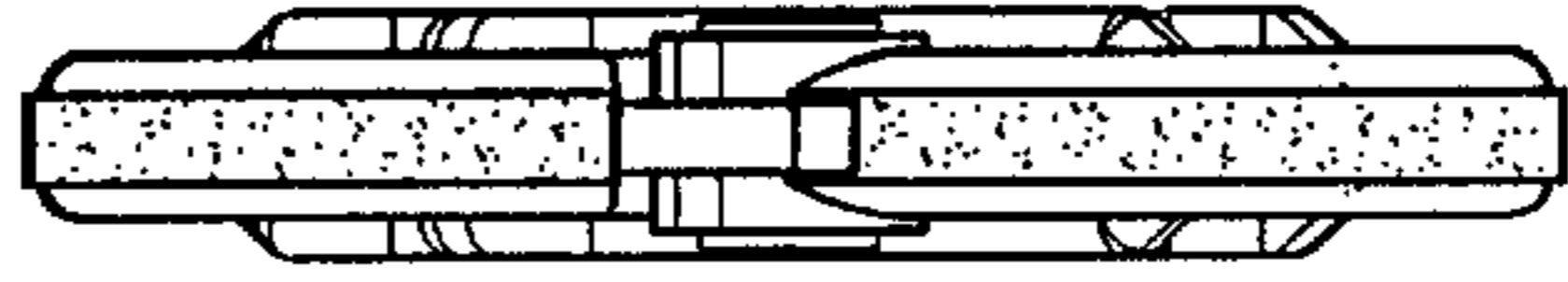


FIG. 33

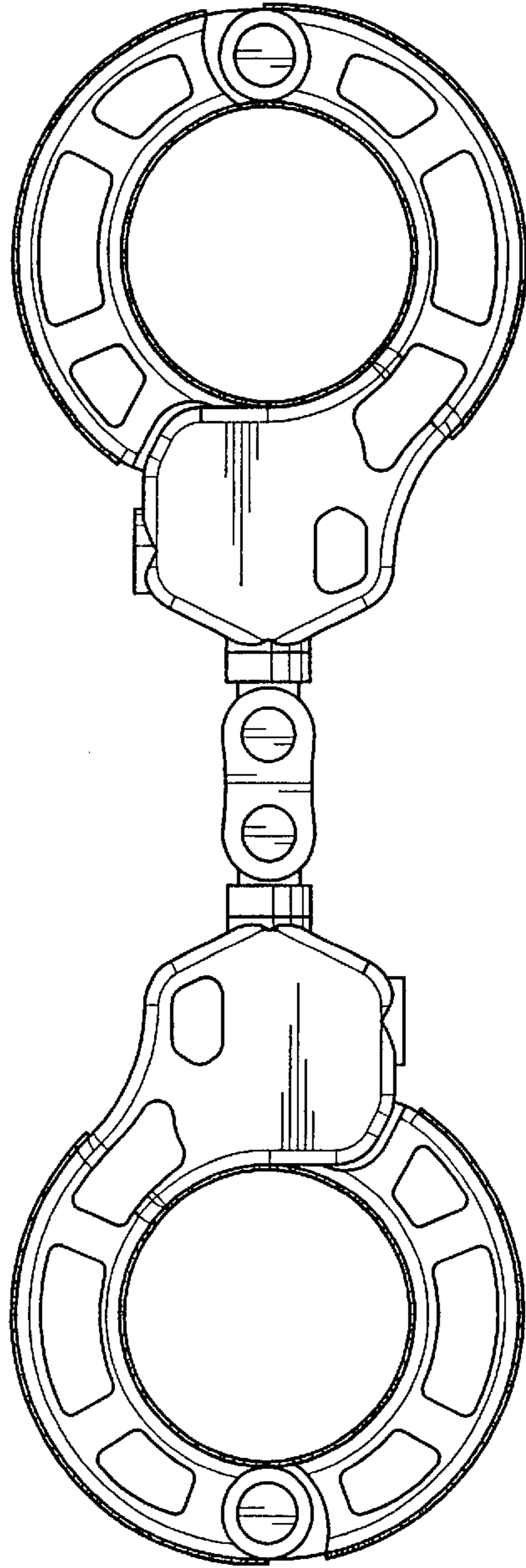


FIG. 32



FIG. 31

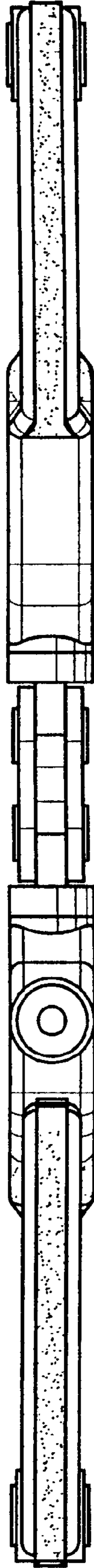


FIG. 34