



US00D474099S

(12) **United States Design Patent**
Vito

(10) **Patent No.:** **US D474,099 S**

(45) **Date of Patent:** **** May 6, 2003**

(54) **ANTI-THEFT DEVICE**

(76) **Inventor:** **Robert A. Vito**, 1434 Sugartown Rd.,
Berwyn, PA (US) 19312

(**) **Term:** **14 Years**

(21) **Appl. No.:** **29/167,839**

(22) **Filed:** **Sep. 20, 2002**

Related U.S. Application Data

(60) Division of application No. 29/161,059, filed on May 22, 2002, which is a continuation of application No. 29/155,353, filed on Feb. 8, 2002, and a continuation of application No. 29/155,059, filed on Feb. 1, 2002, now Pat. No. Des. 458,529, and a continuation of application No. 29/152,328, filed on Dec. 14, 2001, and a continuation of application No. 10/007,090, filed on Dec. 7, 2001, now Pat. No. 6,460,385.

(51) **LOC (7) Cl.** **08-07**

(52) **U.S. Cl.** **D8/331**

(58) **Field of Search** D8/330, 331, 343,
D8/339; 70/209, 210, 225, 226, 237, 252

(56) **References Cited**

U.S. PATENT DOCUMENTS

1,364,068 A	1/1921	Bader
1,400,415 A	12/1921	Callahan
1,428,649 A	9/1922	Miller
2,716,336 A	8/1955	Ross
3,190,090 A	6/1965	Zaidener
3,401,543 A	9/1968	Lewis
3,690,131 A	9/1972	Davis
3,898,823 A	8/1975	Ludeman
4,008,590 A	2/1977	Berkowitz et al.
4,696,172 A	9/1987	Farrow
4,699,238 A	10/1987	Tamir
4,779,435 A	10/1988	Farrow
5,113,674 A	5/1992	LiCausi
5,119,651 A	6/1992	Yang
D330,844 S	11/1992	Chang
5,259,222 A	11/1993	Jang
5,267,458 A	12/1993	Heh
5,275,030 A	1/1994	Cole

5,299,438 A	4/1994	Chen
5,329,793 A	7/1994	Chen
5,461,891 A	10/1995	Noel
5,488,844 A	2/1996	Winner
D369,738 S	5/1996	Hull et al.
5,513,506 A	5/1996	Ricalde
D372,418 S	8/1996	Winner
5,566,560 A	10/1996	LiCausi
5,598,142 A	1/1997	Winner, Jr.
5,600,979 A	2/1997	Winner et al.
5,604,384 A	2/1997	Carlo et al.
5,613,383 A	3/1997	Banez
5,635,899 A	6/1997	Carlo et al.
5,653,133 A	8/1997	Passantino

(List continued on next page.)

Primary Examiner—Brian N. Vinson

(74) *Attorney, Agent, or Firm*—Volpe and Koenig, P.C.

(57) **CLAIM**

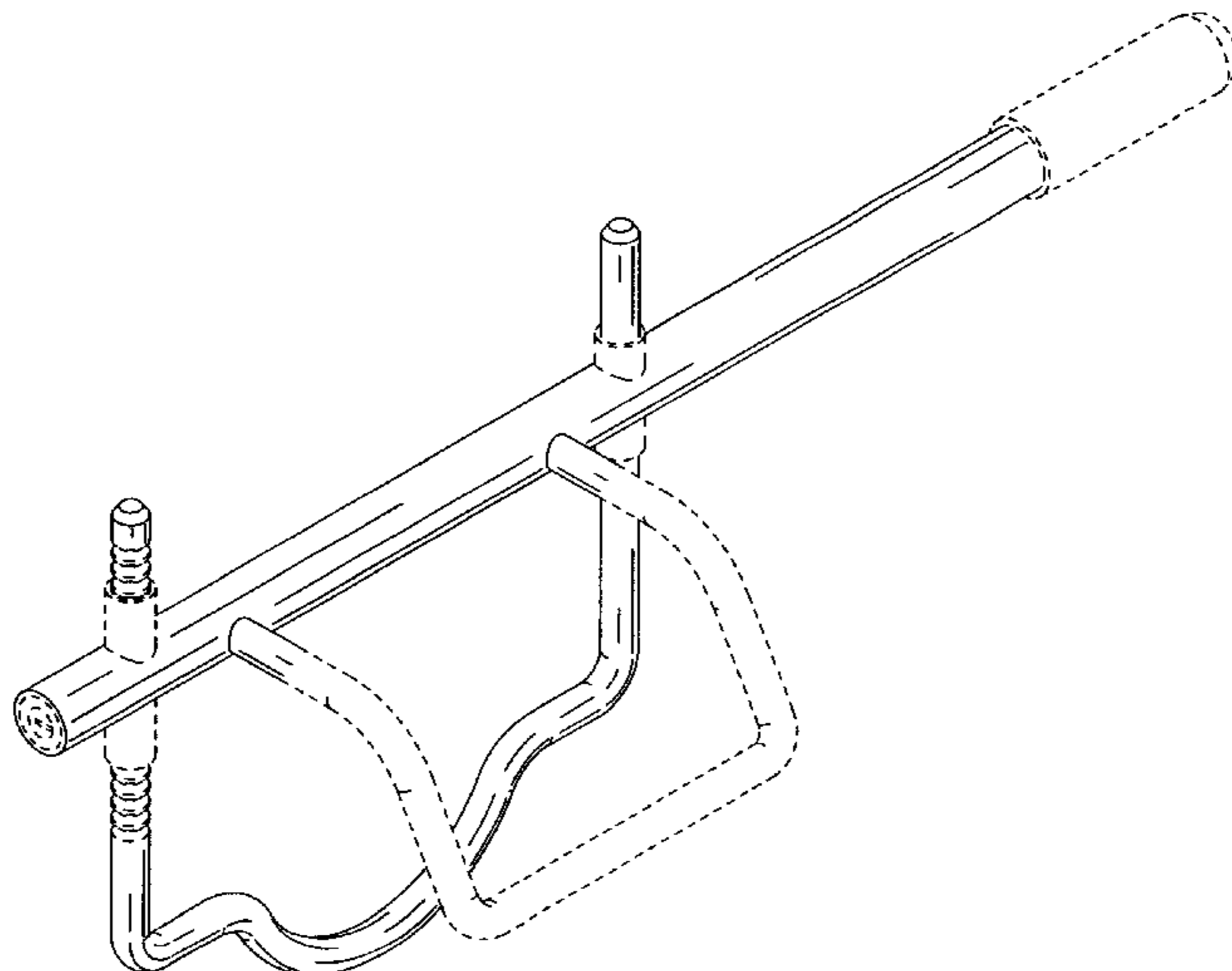
I claim a new ornamental design for an anti-theft device, as shown and described.

DESCRIPTION

FIG. 1 is a perspective view of an anti-theft device according to a preferred embodiment of my new design;
FIG. 2 is a right-side elevational view of the anti-theft device of FIG. 1;
FIG. 3 is a left-side elevational view of the anti-theft device of FIG. 1;
FIG. 4 is a top plan view of the anti-theft device of FIG. 1;
FIG. 5 is a front side view of the anti-theft device of FIG. 1;
FIG. 6 is a bottom plan view of the anti-theft device of FIG. 1;
FIG. 7 is a rear side view of the anti-theft device of FIG. 1;
and,
FIG. 8 is a perspective view of the anti-theft device of FIG. 1.

The broken lines in FIGS. 1–8 represent environment and are for illustrative purposes only and do not constitute part of the claimed design.

1 Claim, 4 Drawing Sheets



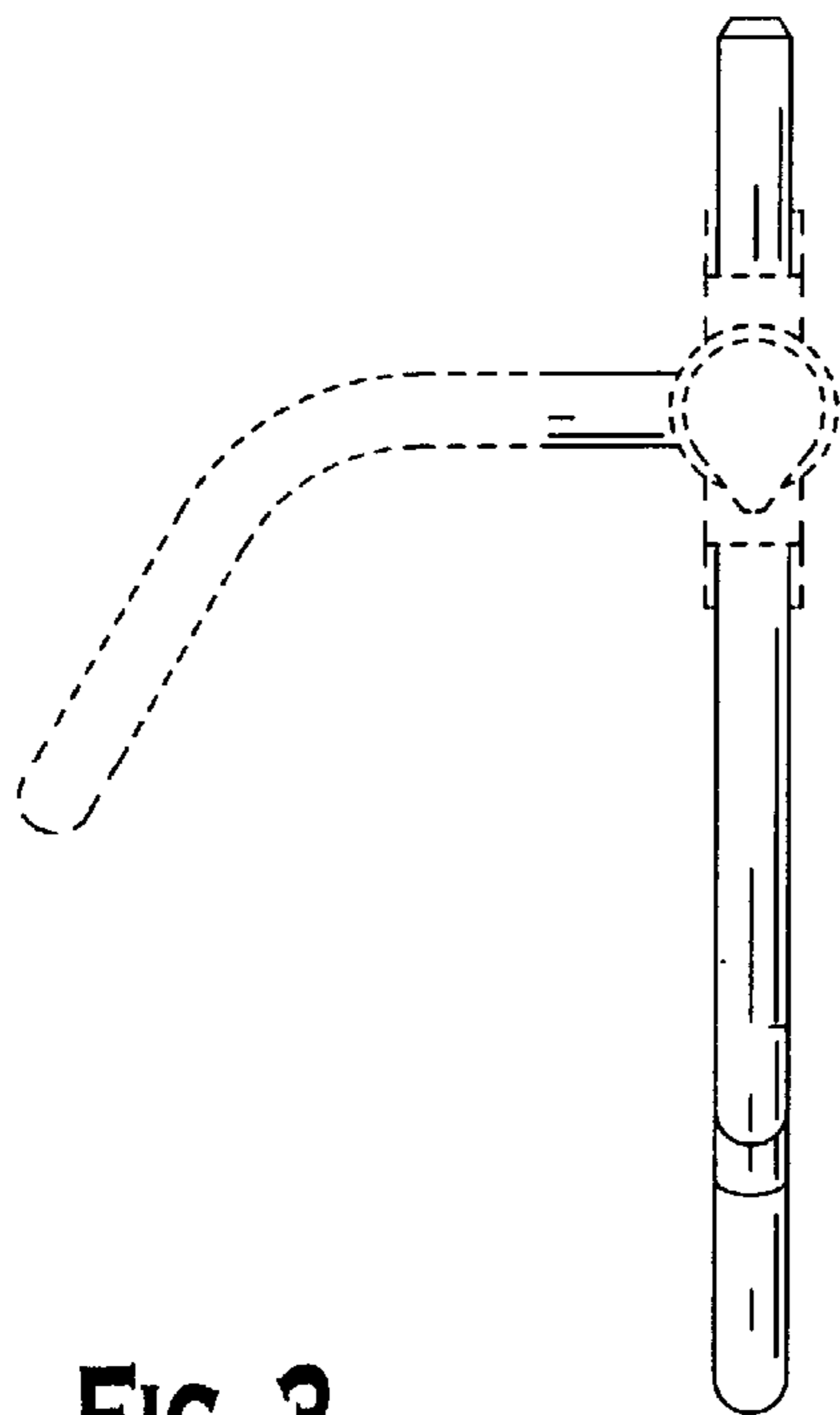
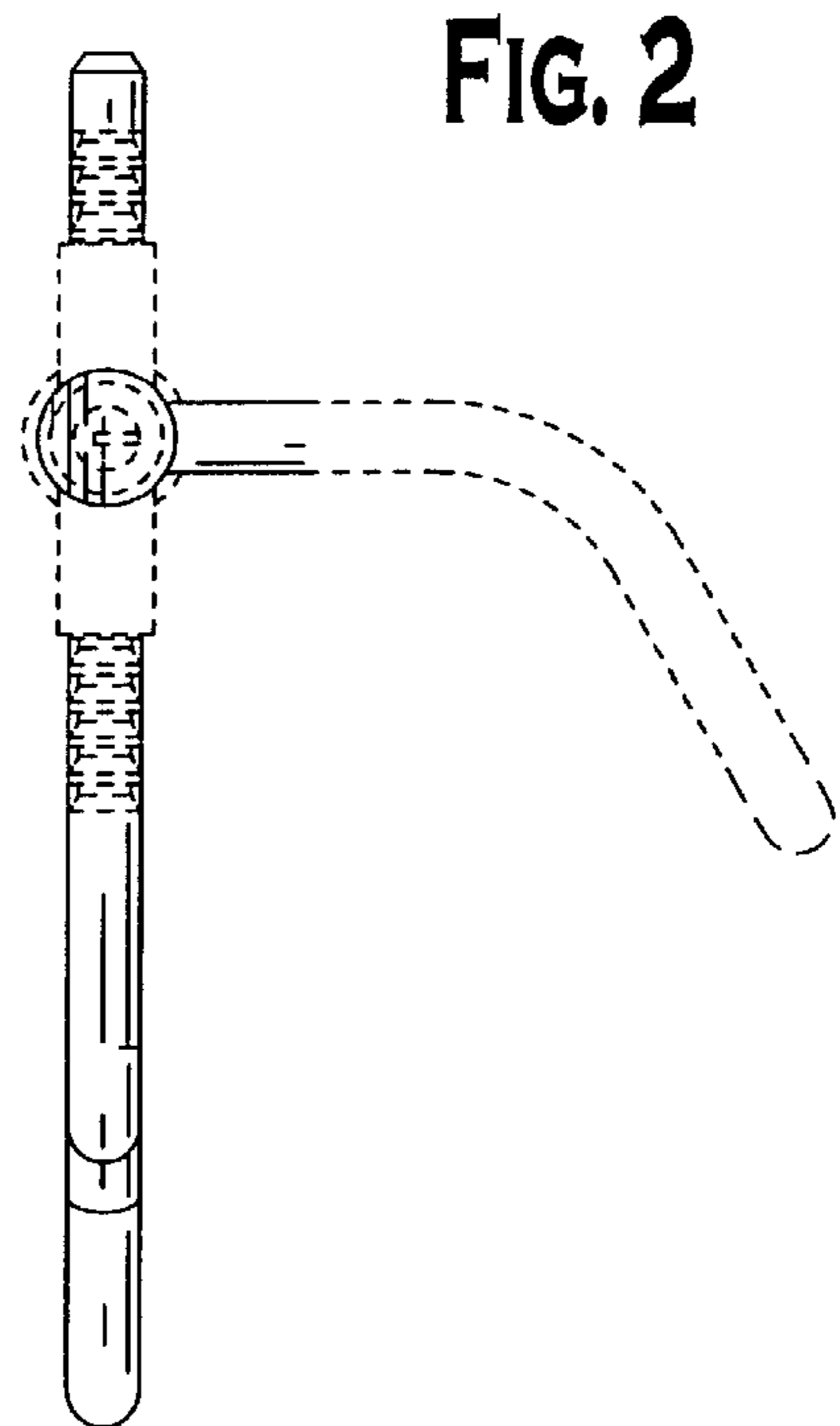
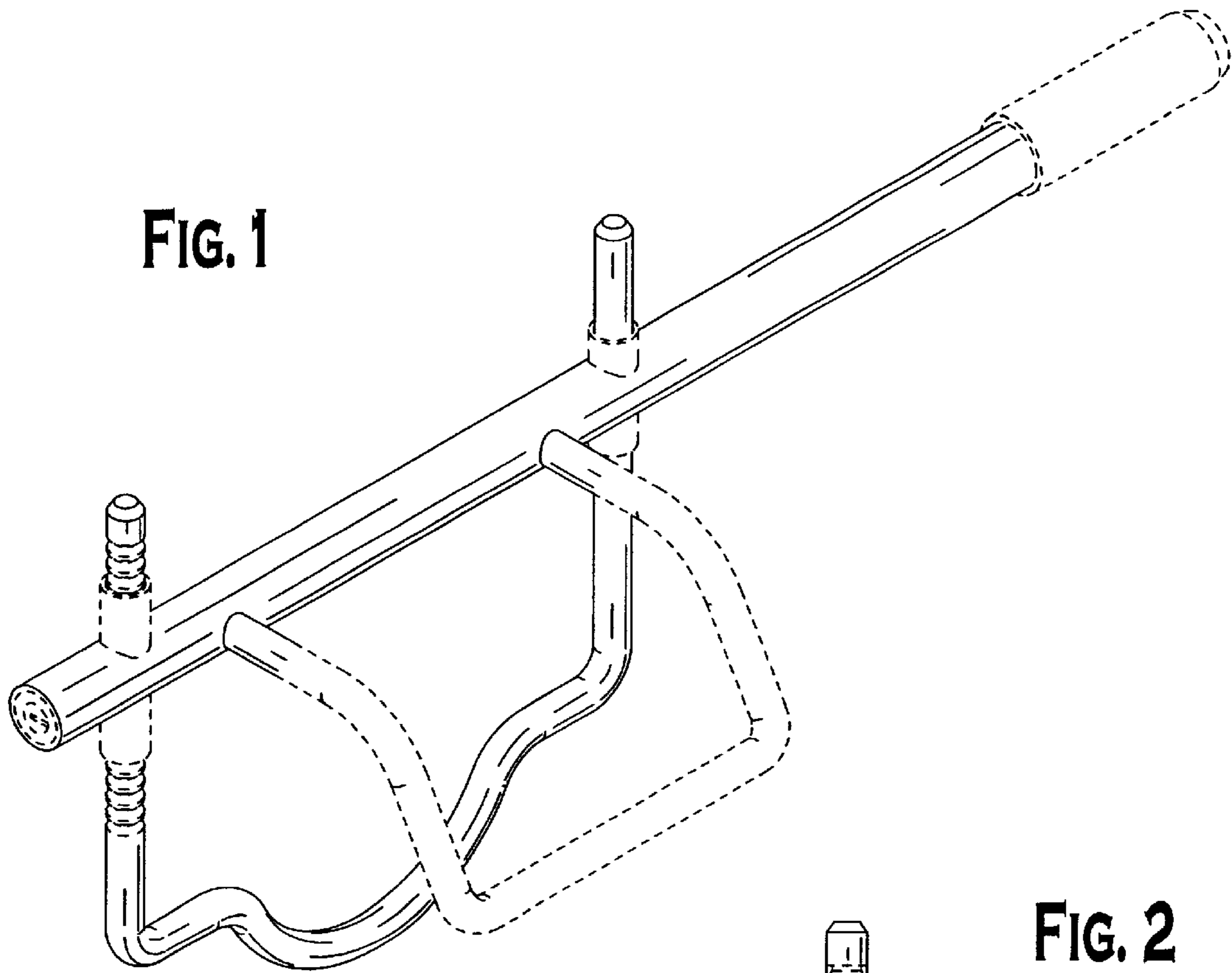
US D474,099 S

Page 2

U.S. PATENT DOCUMENTS

D383,372 S	9/1997	Winner	5,881,587 A	3/1999	Vito	
5,671,620 A	9/1997	Carvey et al.	5,887,464 A	3/1999	Perez	
5,673,575 A	10/1997	Carlo et al.	5,901,586 A	5/1999	Hale	
5,677,668 A	10/1997	Winner, Jr.	5,906,121 A	5/1999	Mankarious	
5,704,233 A	1/1998	Farshad	5,921,115 A	7/1999	Winner	
5,709,113 A	1/1998	Godfrey	D412,826 S *	8/1999	Calpito	D8/331
D391,142 S	2/1998	Winner	5,996,721 A	12/1999	Winner	
5,730,008 A	3/1998	Case et al.	6,029,483 A	2/2000	Daniels	
5,735,149 A	4/1998	Winner, Jr.	6,089,055 A	7/2000	Vito	
5,755,123 A	5/1998	Winner, Jr.	6,116,065 A	9/2000	Hale	
5,765,415 A	6/1998	Savinsky	D432,390 S	10/2000	Geringer et al.	
5,778,709 A	7/1998	Hsu	6,131,426 A	10/2000	Tarnofsky	
D398,830 S	9/1998	Winner	6,192,724 B1	2/2001	Vito	
5,826,448 A	10/1998	Graham	6,202,456 B1	3/2001	Vickers	
5,836,186 A	11/1998	Winner, Jr.	6,212,920 B1	4/2001	Winner	
5,842,361 A	12/1998	Banez	6,223,568 B1	5/2001	Wu	
5,855,128 A	1/1999	Voiculescu	6,223,569 B1	5/2001	Wu	
5,865,044 A	2/1999	Wu	6,230,527 B1	5/2001	Wu	
5,870,912 A	2/1999	Vito	6,240,753 B1 *	6/2001	Wu	70/209

* cited by examiner



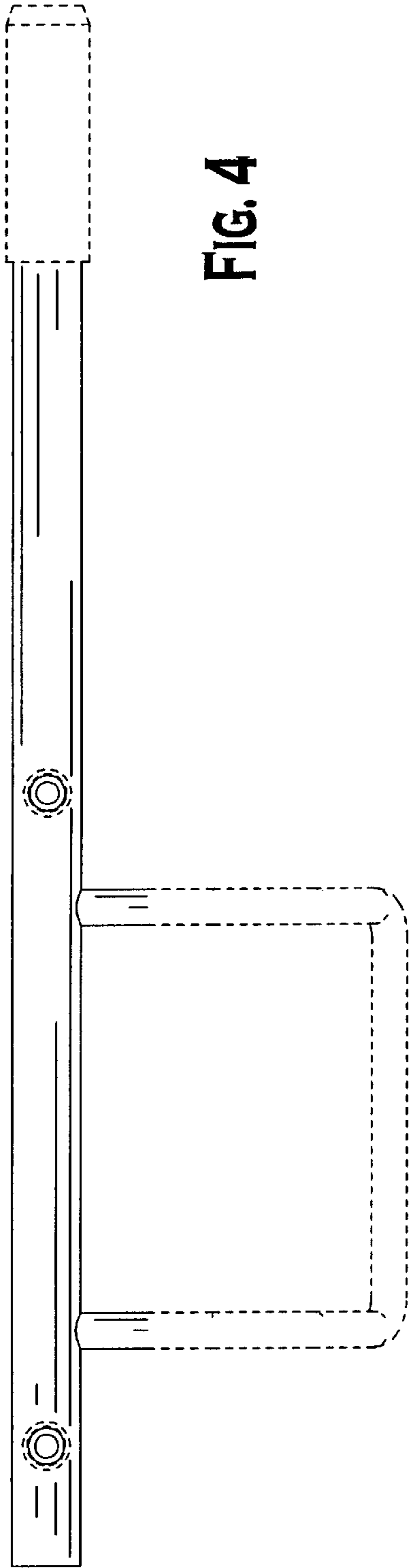


FIG. 4

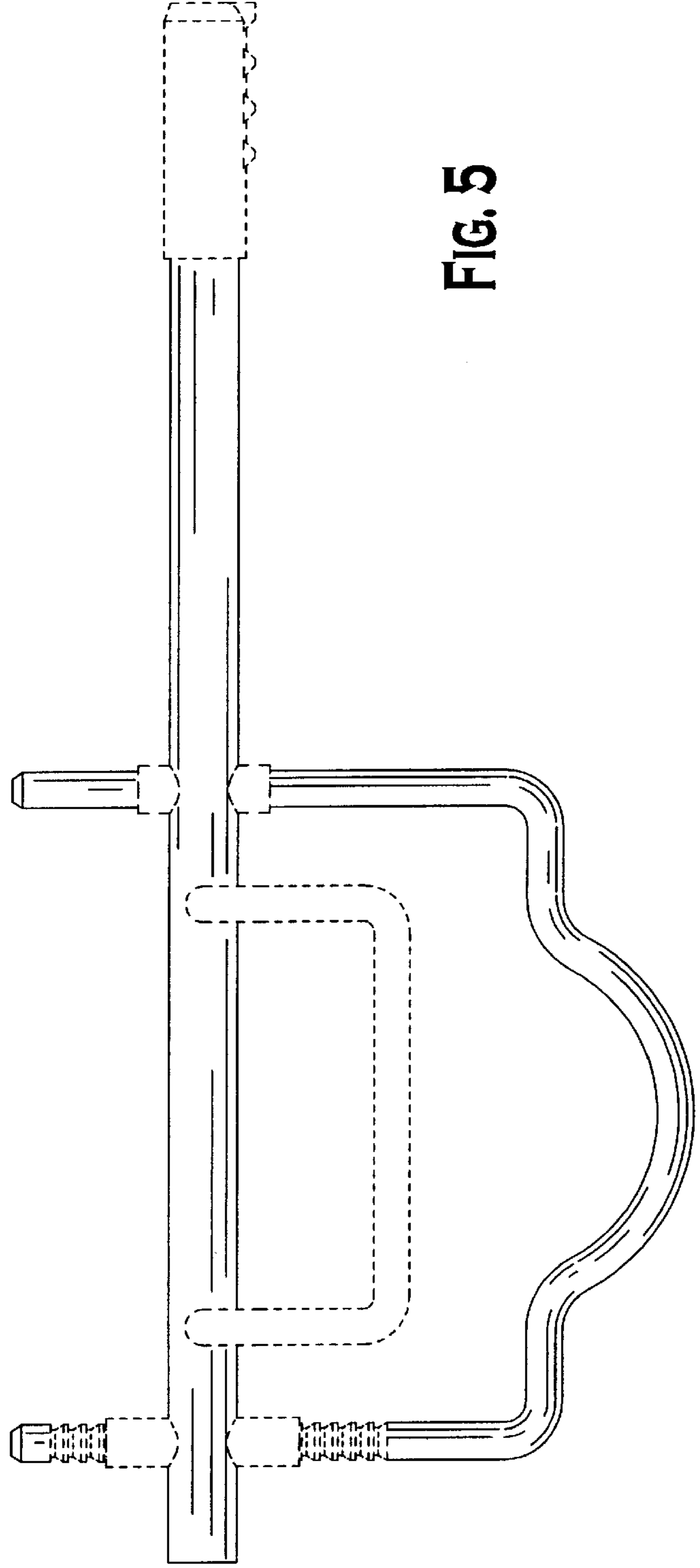


FIG. 5

FIG. 6

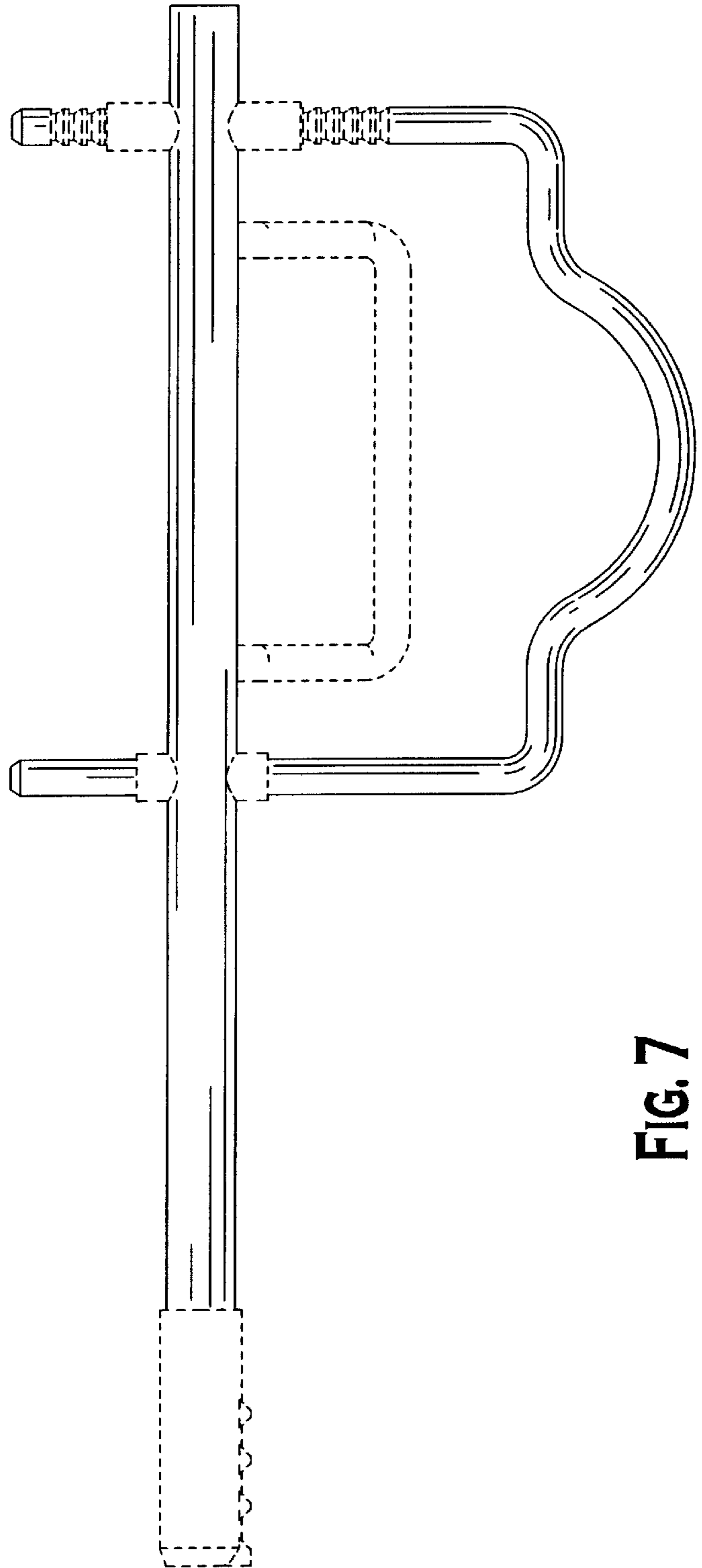
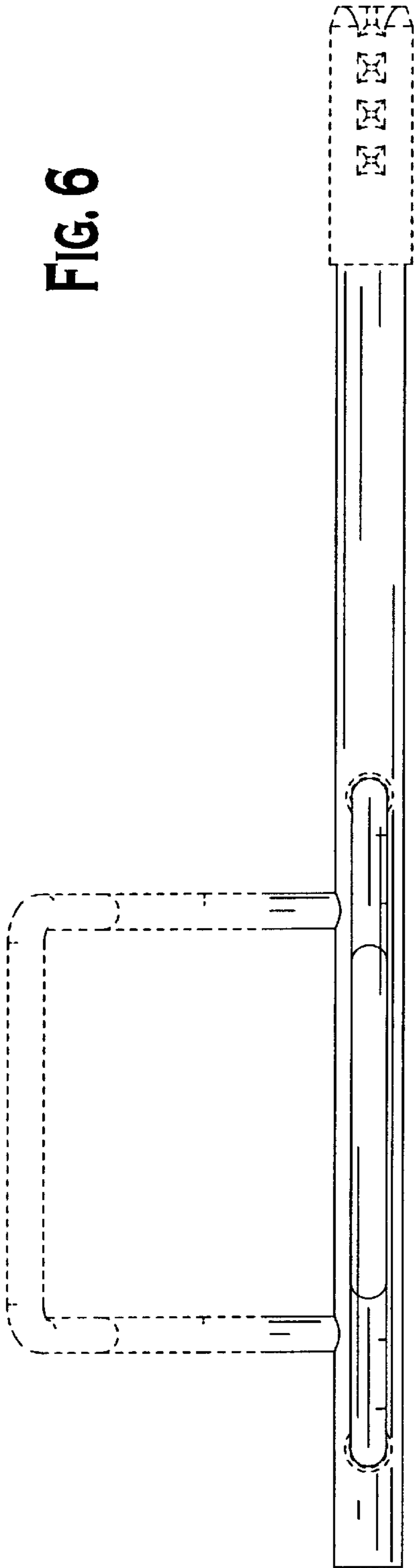


FIG. 7

FIG. 8

