



US00D474096S

(12) **United States Design Patent**  
**Spiller**

(10) **Patent No.:** **US D474,096 S**

(45) **Date of Patent:** **\*\* May 6, 2003**

(54) **HANDLE FOR TOOLS, AGRICULTURAL IMPLEMENTS, OR SIMILAR ARTICLE**

(76) **Inventor:** **David A. Spiller**, 3615 Longridge Ave.,  
Sherman Oaks, CA (US) 91423

(\*\*) **Term:** **14 Years**

(21) **Appl. No.:** **29/159,147**

(22) **Filed:** **Apr. 16, 2002**

(51) **LOC (7) Cl.** ..... **08-06**

(52) **U.S. Cl.** ..... **D8/107; D8/10; D8/80**

(58) **Field of Search** ..... D8/10, 107, 14,  
D8/83, 80; 16/110.1, 111.1, 112.1, 422,  
436, 421; 81/177.2, 20-25; 30/280; D34/27;  
172/371, 381, 372; 294/55, 49, 57, 58,  
54.5, 53.5

(56) **References Cited**

**U.S. PATENT DOCUMENTS**

2,561,336	A	*	7/1951	Bucsko et al.	.....	30/280
3,797,581	A	*	3/1974	Holloway	.....	172/372
D424,775	S	*	5/2000	Rabinowitz et al.	.....	D34/27
D426,451	S	*	6/2000	Rosenbaum	.....	D8/107
6,352,122	B1	*	3/2002	Love	.....	172/371

\* cited by examiner

*Primary Examiner*—Pamela Burgess  
(74) *Attorney, Agent, or Firm*—Law Offices of Kamran Fattahi

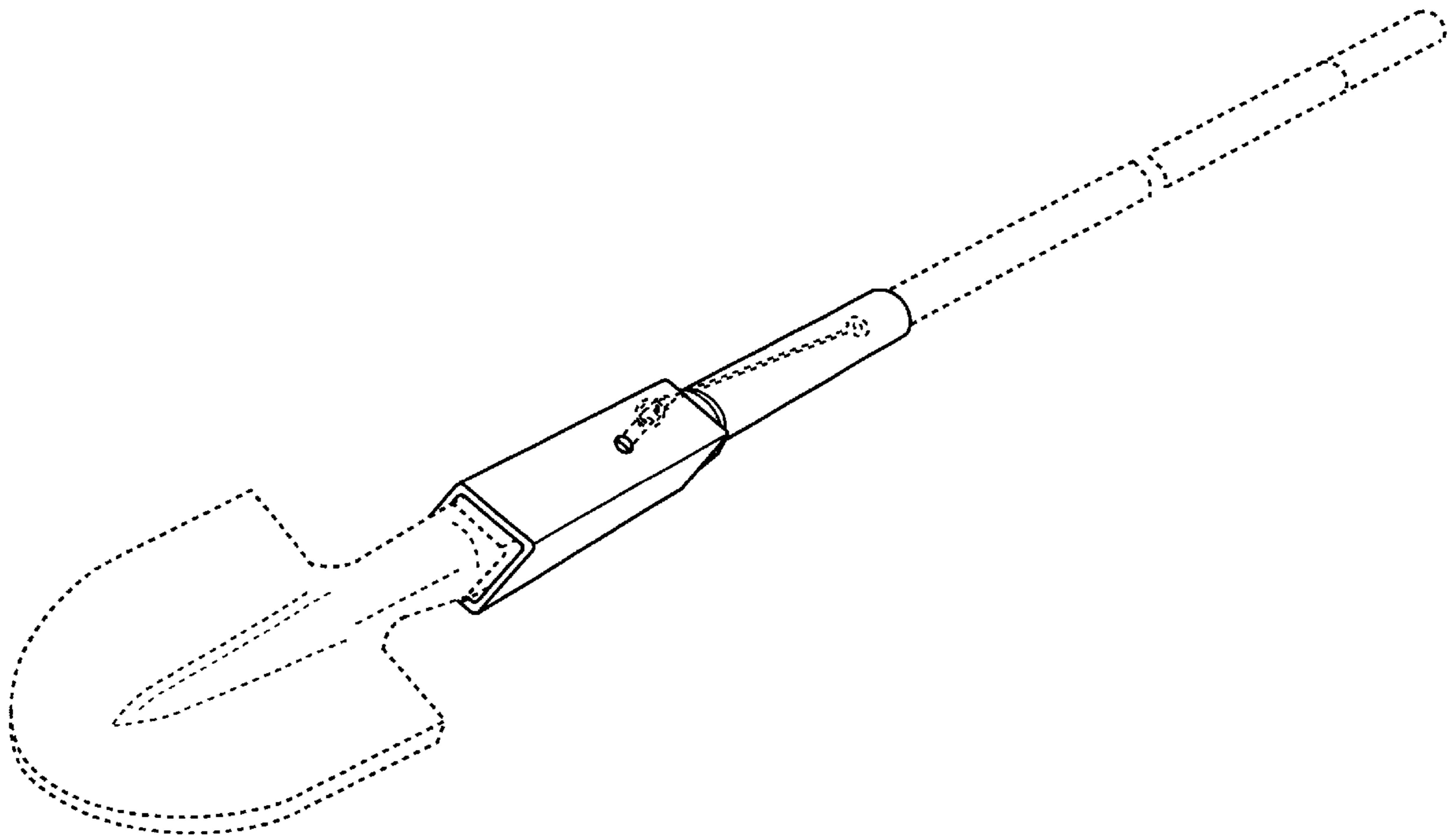
(57) **CLAIM**

The ornamental design for a handle for tools, agricultural implements, or similar article, shown and described.

**DESCRIPTION**

FIG. 1 is a perspective view of a handle for tools, agricultural implements, or similar article showing my new design; FIG. 2 is another perspective view thereof, showing alternate broken line disclosure; FIG. 3 is another perspective view thereof, showing alternate broken line disclosure; FIG. 4 is a top plan view thereof; FIG. 5 is a side elevational view thereof; FIG. 6 is a bottom plan view thereof; FIG. 7 is a side elevational view thereof, opposite FIG. 5; FIG. 8 is a left end elevational view thereof, showing the attachment point; and, FIG. 9 is a right end elevational view thereof. The broken lines shown in FIGS. 1-3 are for illustrative purposes only and form no part of the claimed design.

**1 Claim, 2 Drawing Sheets**



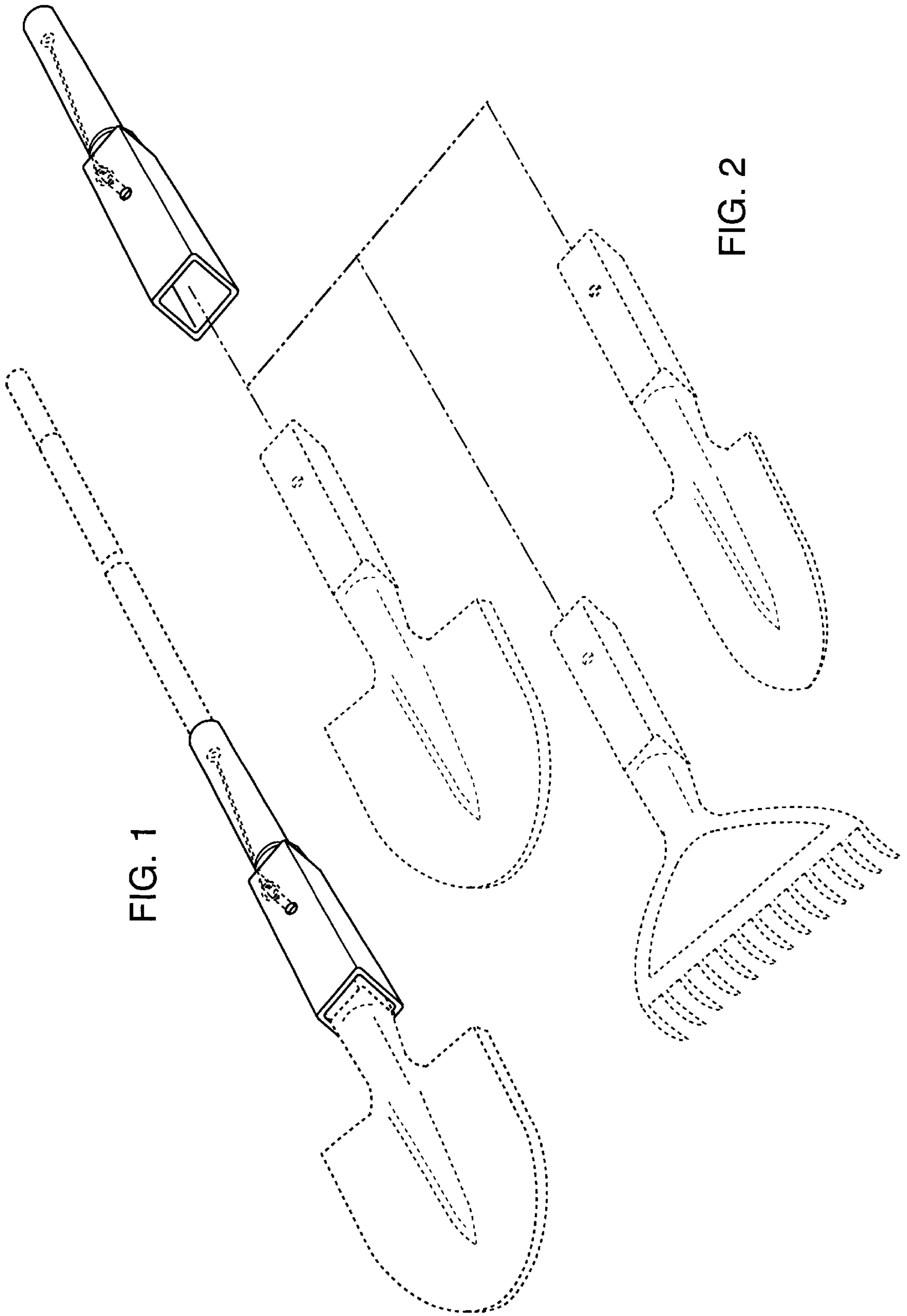


FIG. 1

FIG. 2

FIG. 3

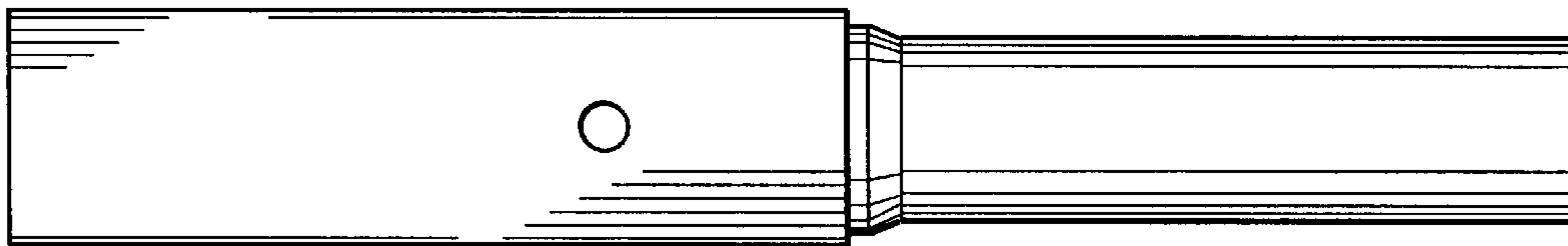
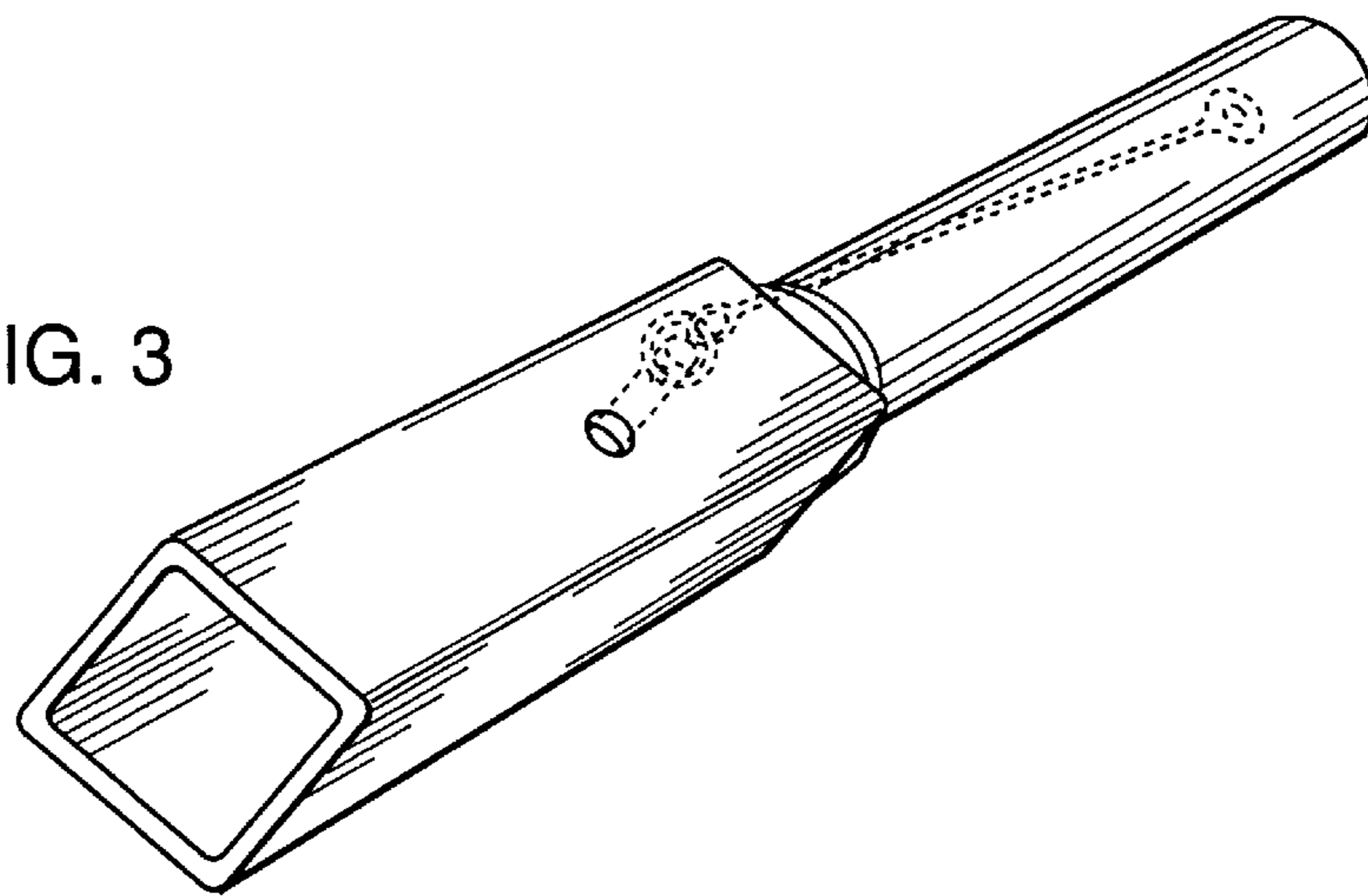


FIG. 4

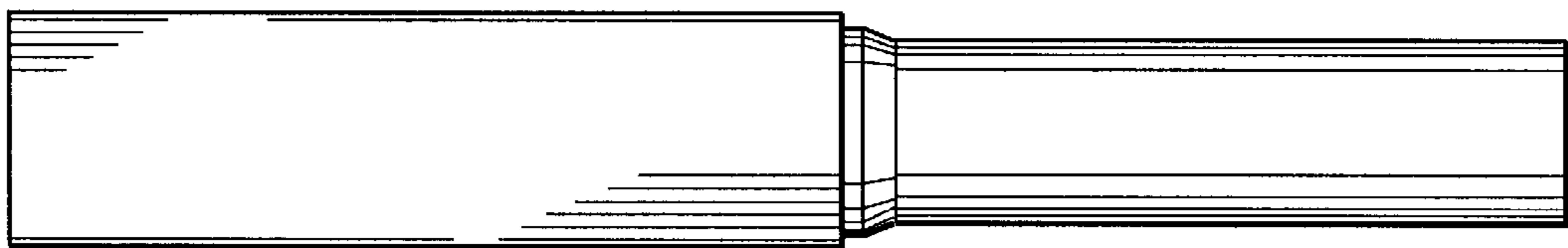


FIG. 5

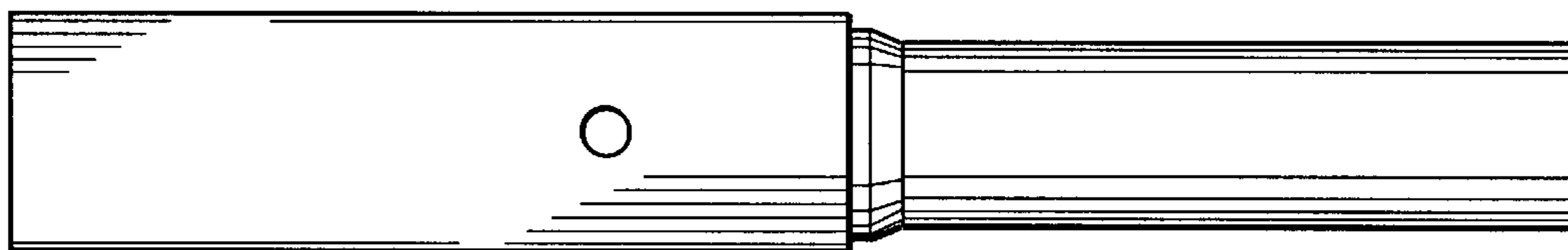


FIG. 6

FIG. 7

FIG. 8

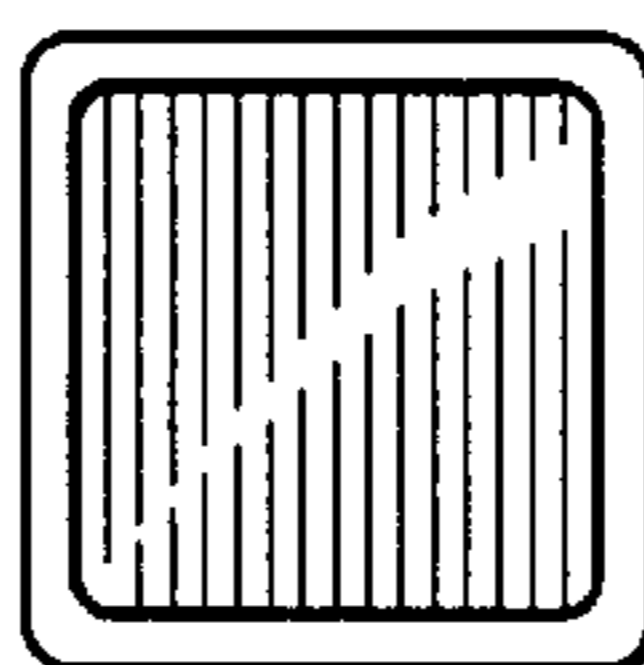


FIG. 9

