



US00D474093S

(12) **United States Design Patent**
Chang

(10) **Patent No.:** **US D474,093 S**

(45) **Date of Patent:** **** May 6, 2003**

(54) **DRILL GUIDE**

(76) Inventor: **Ming Lang Chang**, P.O. Box 63-150,
Tai Chung City (TW), 406

(**) Term: **14 Years**

(21) Appl. No.: **29/153,336**

(22) Filed: **Jan. 8, 2002**

(51) **LOC (7) Cl.** **08-01**

(52) **U.S. Cl.** **D8/71; D8/70**

(58) **Field of Search** **D8/70, 71, 72,**
D8/73, 74; D15/132, 140; 408/14, 112,
202, 712

(56) **References Cited**

U.S. PATENT DOCUMENTS

1,895,990	A	*	1/1933	Harcharick	408/112
2,997,900	A	*	8/1961	Pugsley	408/112
3,874,810	A	*	4/1975	Russell	408/14
3,890,058	A	*	6/1975	Self et al.	D8/71
4,242,016	A	*	12/1980	Faris	408/112
4,349,301	A	*	9/1982	Boyajian	408/712

D274,033	S	*	5/1984	Miller	D8/71
4,572,715	A	*	2/1986	Wolff	408/112
D291,528	S	*	8/1987	Degen	D8/71
5,310,296	A	*	5/1994	McCurry	408/112
D392,534	S	*	3/1998	Degen et al.	D8/71
5,797,708	A	*	8/1998	Bencic	408/112

* cited by examiner

Primary Examiner—Doris V. Coles
Assistant Examiner—T. Chase Nelson

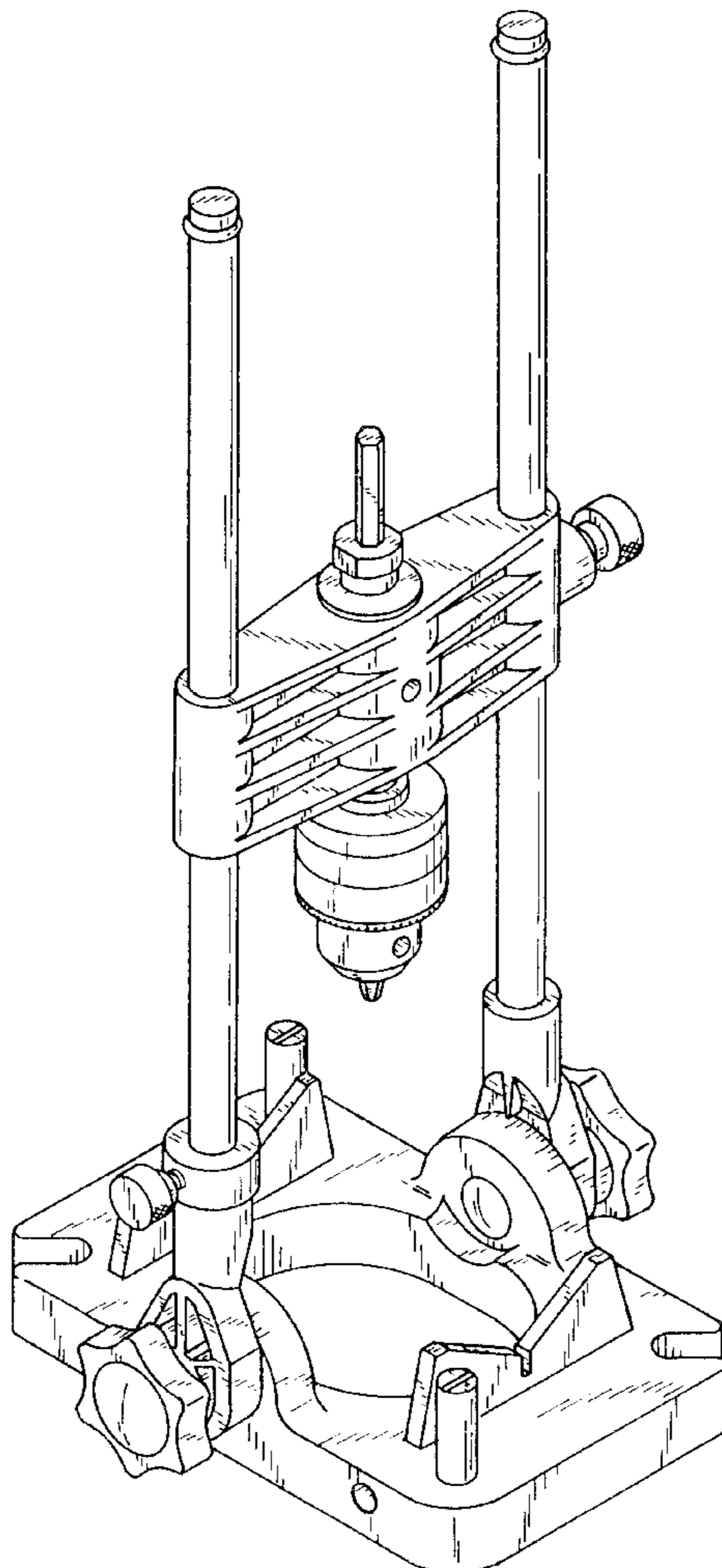
(57) **CLAIM**

The ornamental design for a drill guide, as shown.

DESCRIPTION

FIG. 1 is a front perspective view of a drill guide showing my new design;
FIG. 2 is a front elevational view;
FIG. 3 is a rear elevational view;
FIG. 4 is a left side elevational view;
FIG. 5 is a right side elevational view;
FIG. 6 is a top plan view; and,
FIG. 7 is a bottom plan view thereof.

1 Claim, 6 Drawing Sheets



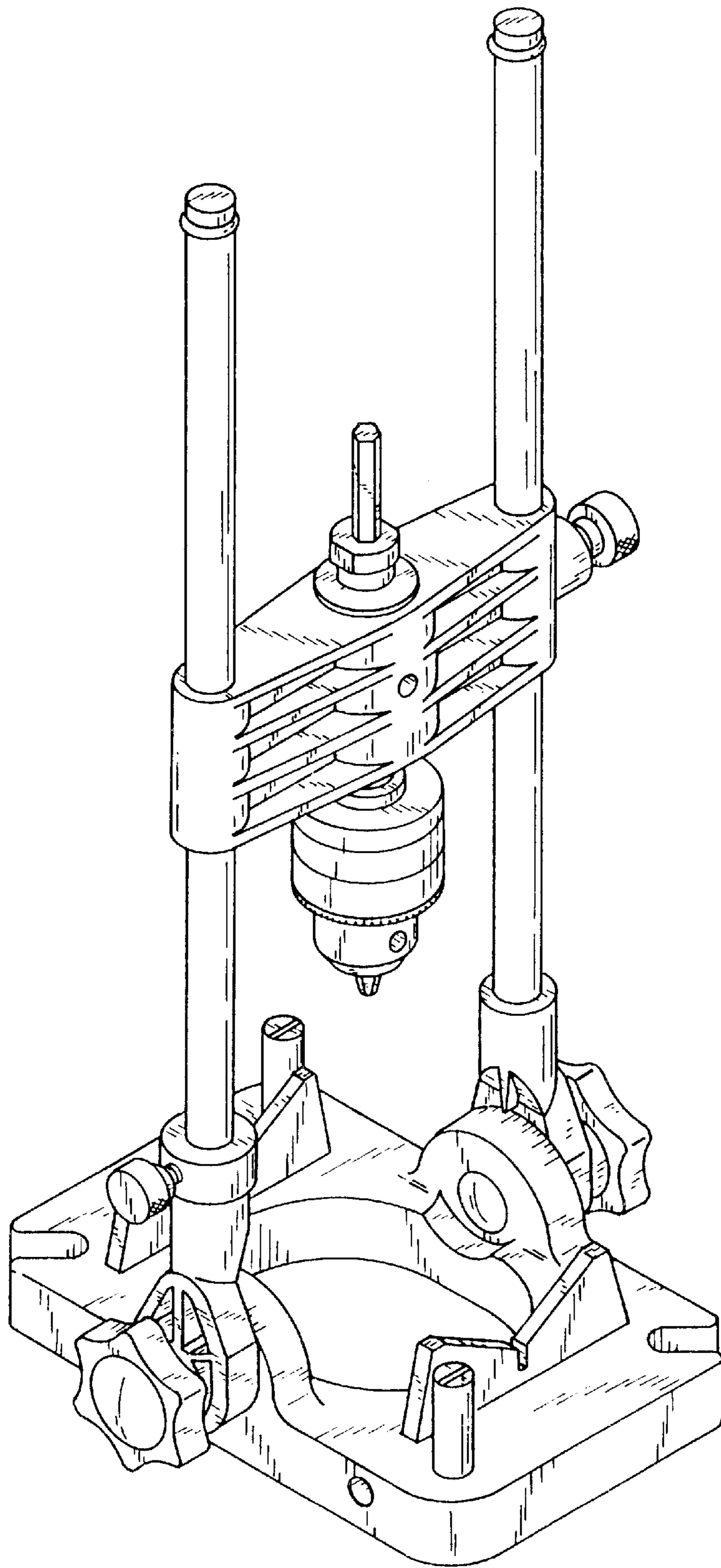


FIG. 1

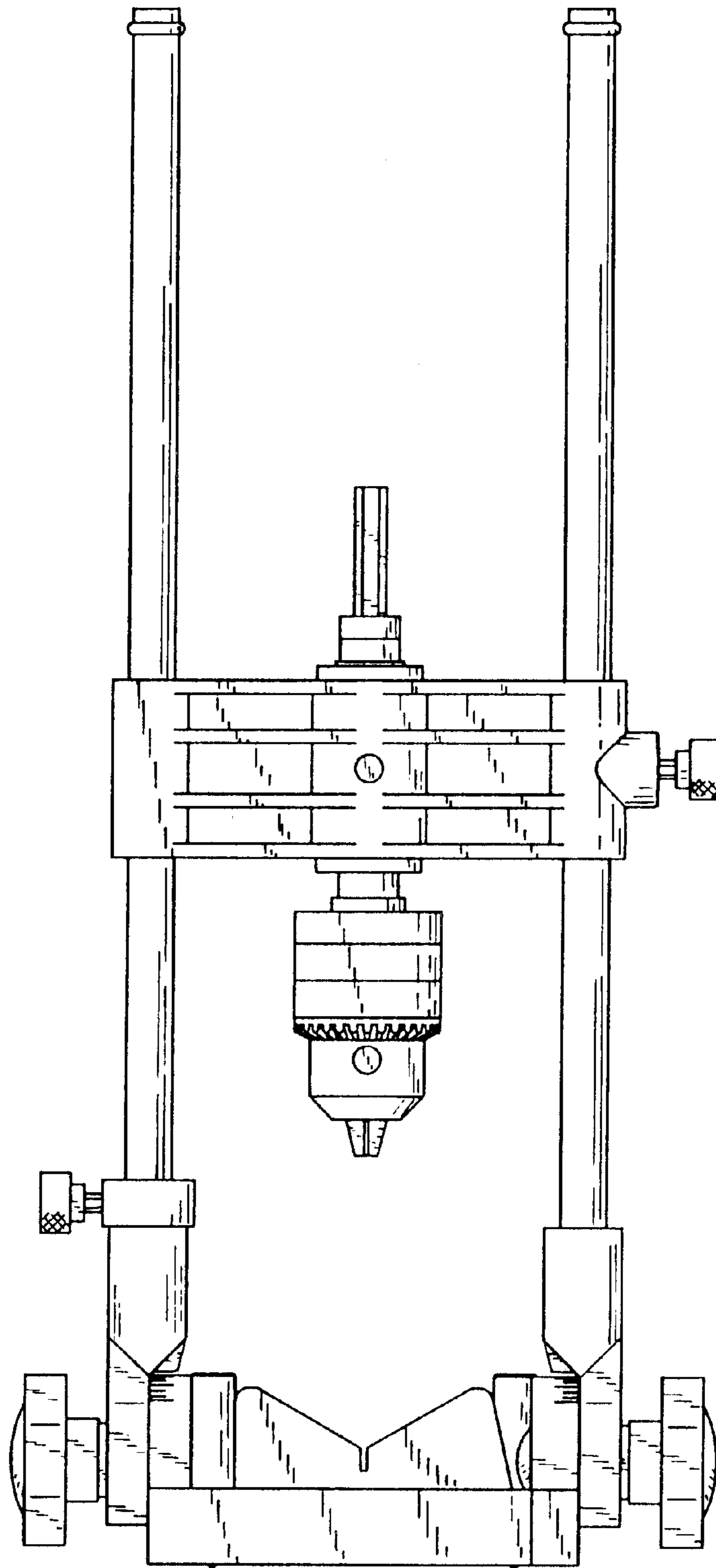


FIG. 2

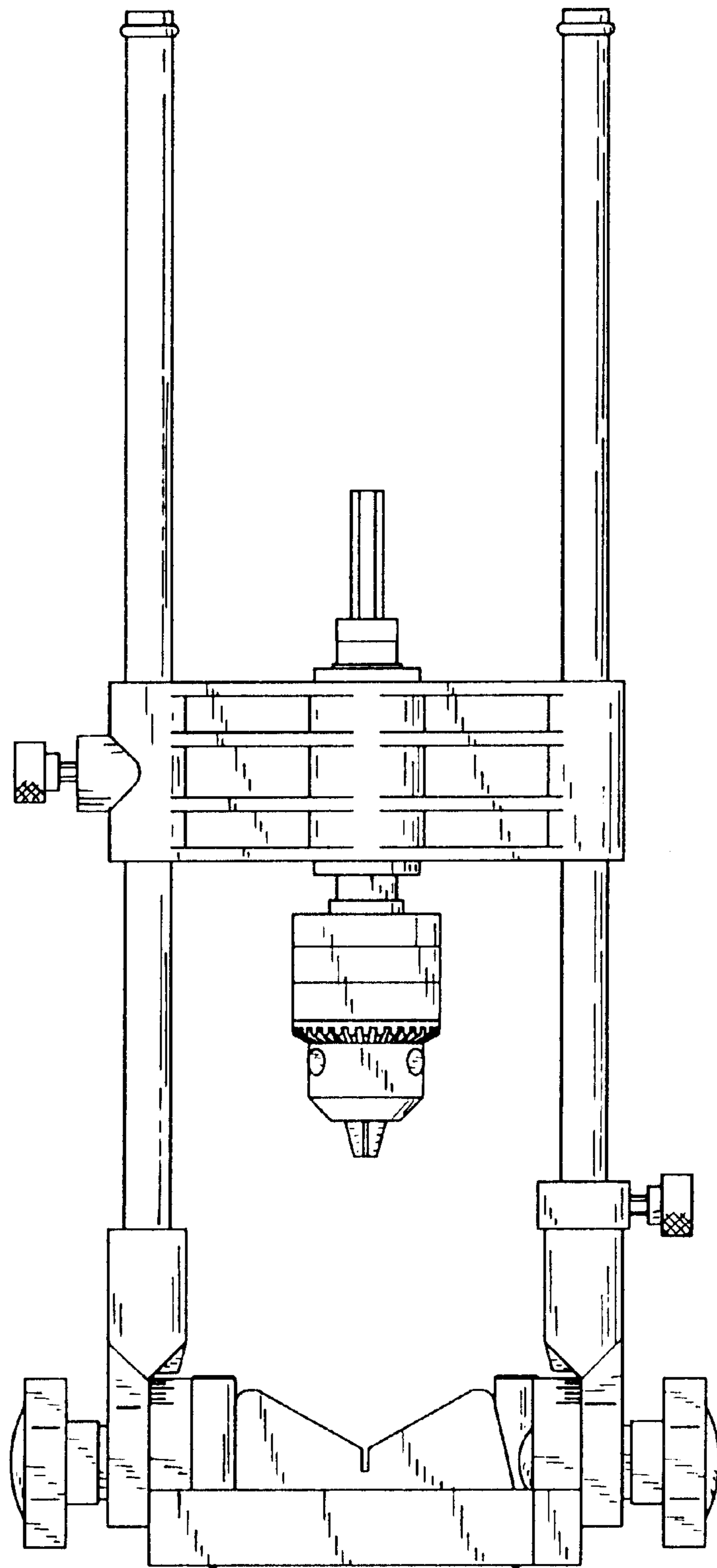


FIG. 3

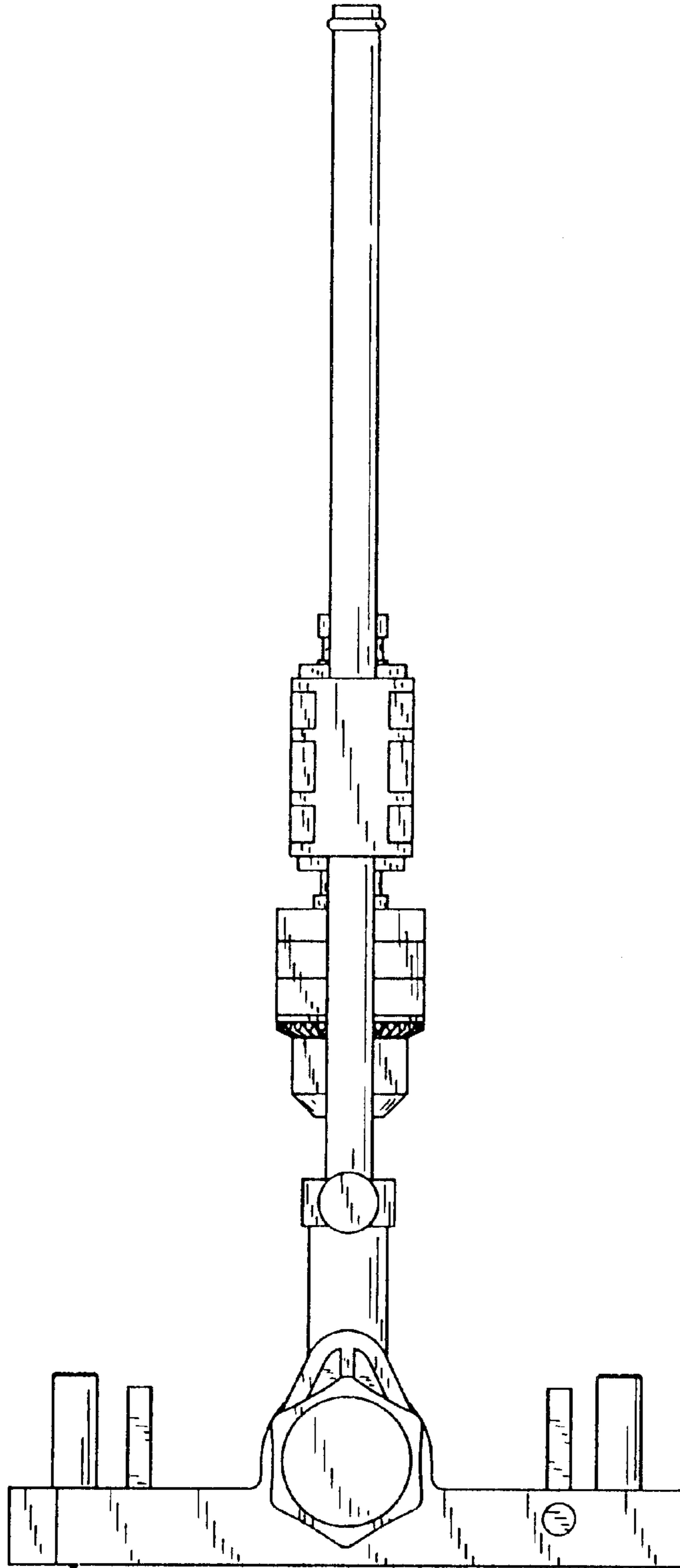


FIG. 4

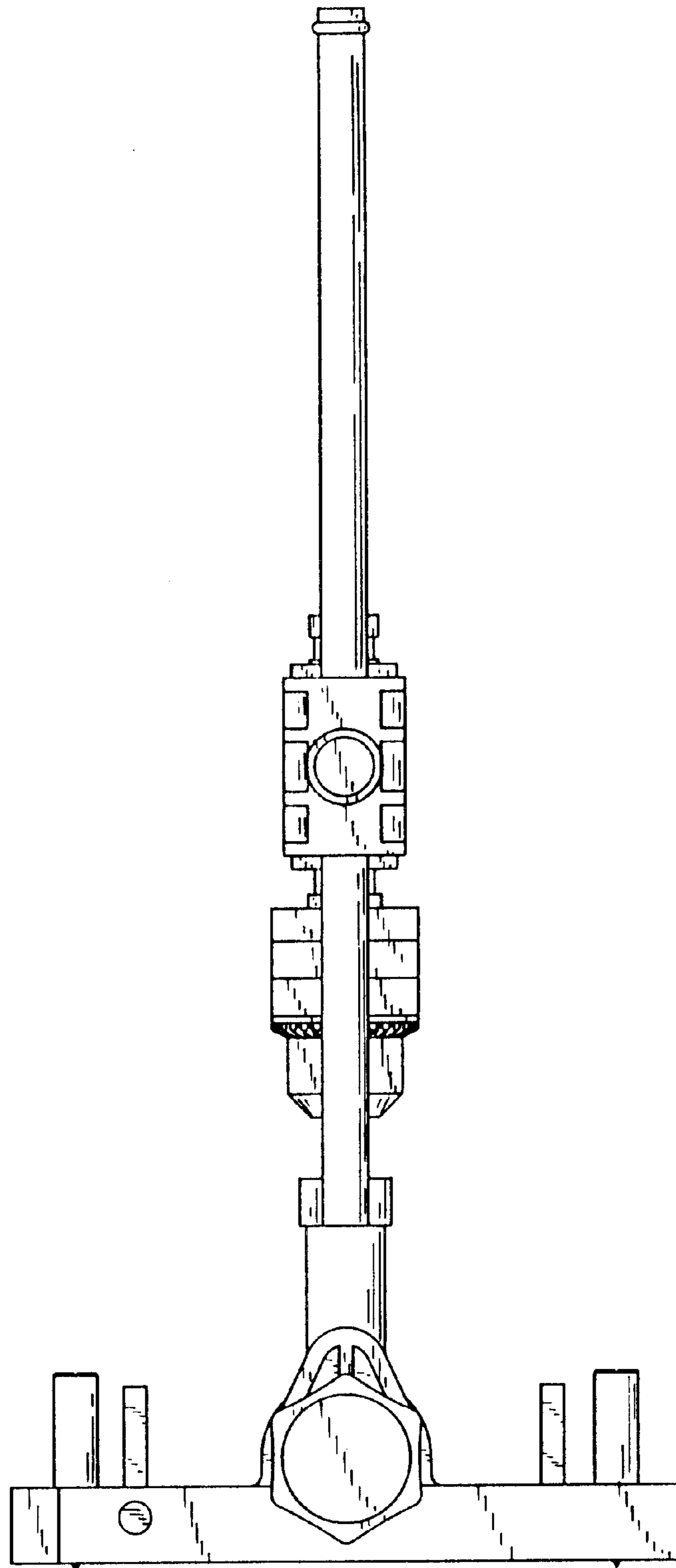


FIG. 5

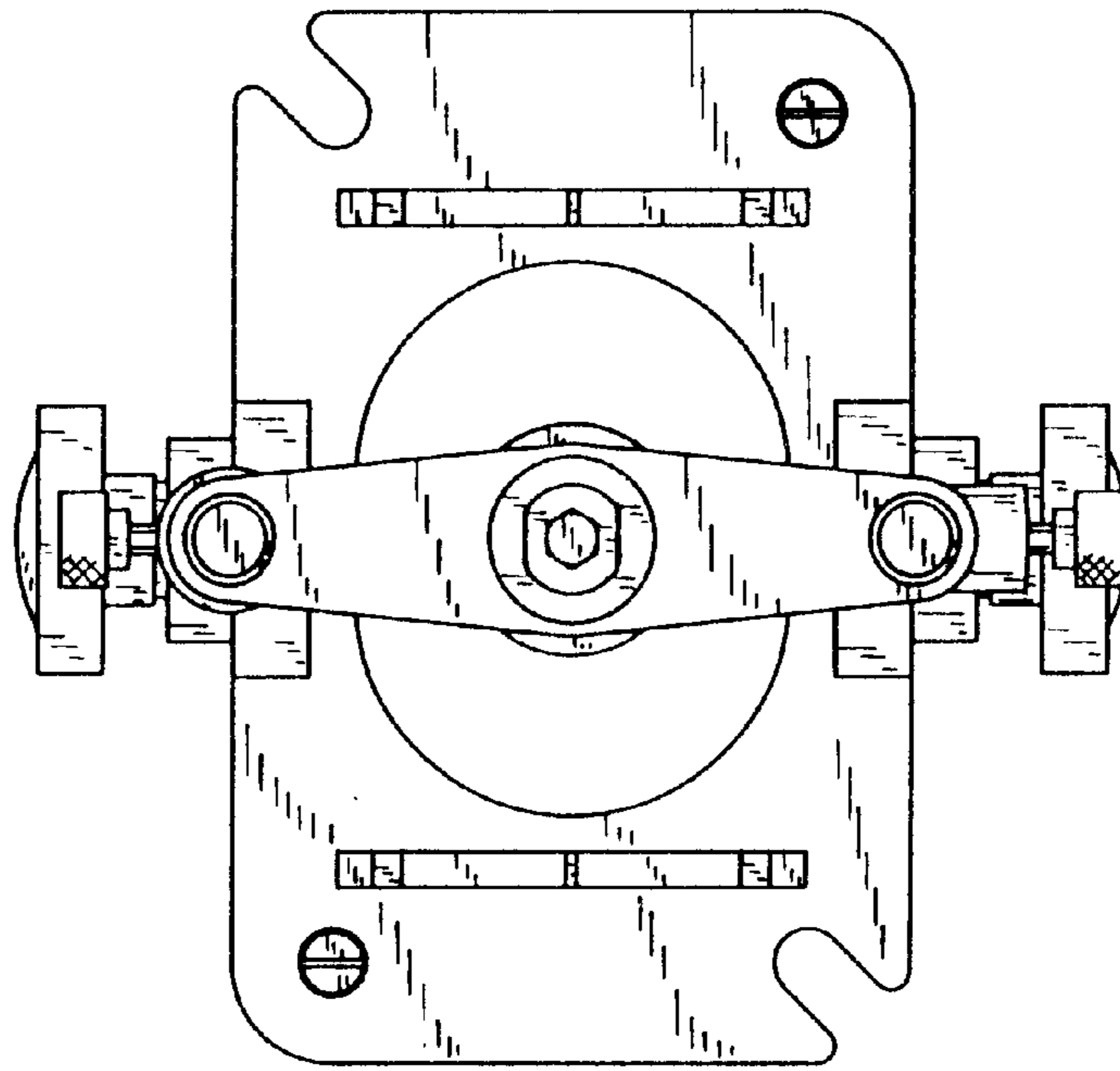


FIG. 6

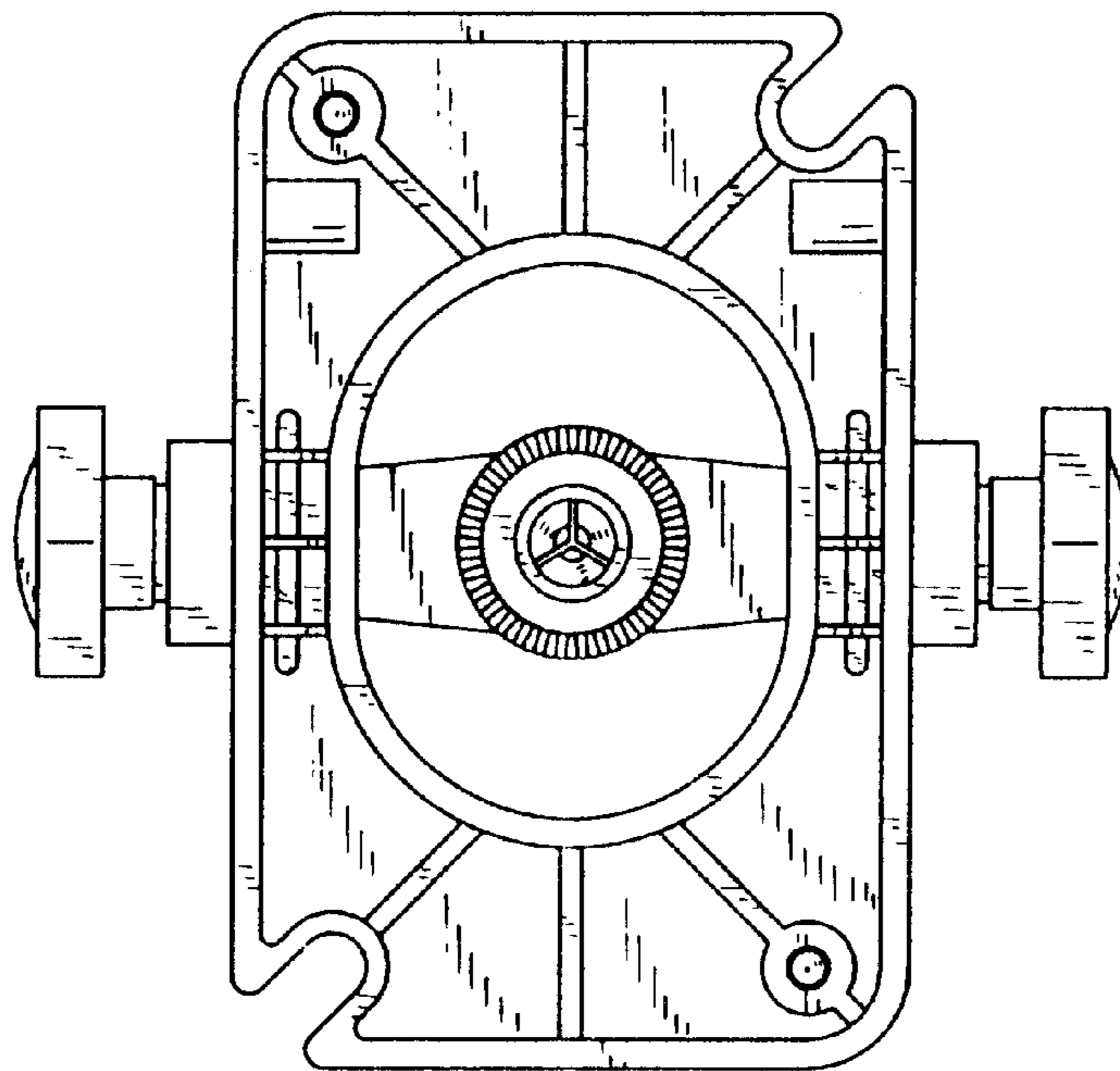


FIG. 7