



US00D474092S

(12) **United States Design Patent**  
**Stirm**

(10) **Patent No.:** **US D474,092 S**

(45) **Date of Patent:** **\*\* May 6, 2003**

(54) **COMPACT HAMMER**

(75) Inventor: **Michael Stirm**, Oberursel (DE)

(73) Assignee: **Black & Decker Inc.**, Newark, DE (US)

(\*\*) Term: **14 Years**

(21) Appl. No.: **29/165,682**

(22) Filed: **Aug. 14, 2002**

(30) **Foreign Application Priority Data**

Feb. 14, 2002 (GB) ..... 3001470

(51) **LOC (7) Cl.** ..... **08-05**

(52) **U.S. Cl.** ..... **D8/69**

(58) **Field of Search** ..... D8/61, 62, 63,  
D8/64, 65, 66, 67, 68, 69, 70; 81/57.11,  
429, 464, 465, 466, 469, 489; 173/13, 169,  
178, 213, 217; 227/8, 114, 120, 130, 136,  
142; 310/50; 408/20, 124, 125, 234, 241 R;  
451/358

(56) **References Cited**

**U.S. PATENT DOCUMENTS**

3,919,573	A	*	11/1975	Schmuck	.....	310/50
4,260,916	A	*	4/1981	Theissig	.....	310/50
4,365,962	A	*	12/1982	Regelsberger	.....	173/178
4,366,403	A	*	12/1982	Simpson et al.	.....	310/50
4,378,053	A	*	3/1983	Simpson	.....	173/13
4,967,888	A	*	11/1990	Lippacher et al.	.....	173/178
D320,918	S	*	10/1991	Mochida	.....	D8/68

D341,533	S	*	11/1993	Karafuji et al.	.....	D8/69
D349,029	S	*	7/1994	Matsunaga et al.	.....	D8/67
D361,252	S	*	8/1995	De Neergaard et al.	.....	D8/69
D377,591	S	*	1/1997	Hattori	.....	D8/68
D380,132	S	*	6/1997	Matsunaga et al.	.....	D8/69
D386,379	S	*	11/1997	Kasuya	.....	D8/69
D395,586	S	*	6/1998	Arakawa et al.	.....	D8/69
D447,032	S	*	8/2001	Schoen et al.	.....	D8/67
D447,677	S	*	9/2001	Stirm	.....	D8/69
6,412,572	B2	*	7/2002	Habedank et al.	.....	310/50
D466,780	S	*	12/2002	Stirm	.....	D8/69

\* cited by examiner

*Primary Examiner*—Doris V. Coles

*Assistant Examiner*—T. Chase Nelson

(74) *Attorney, Agent, or Firm*—Michael P. Leary; Bruce S. Shapiro; Charles E. Yocum

(57) **CLAIM**

The ornamental design for a compact hammer, as shown and described.

**DESCRIPTION**

FIG. 1 is a front perspective view of a compact hammer showing my new design.

FIG. 2 is a rear perspective view of FIG. 1.

FIG. 3 is a left side elevational view of FIG. 1.

FIG. 4 is a right side elevational view of FIG. 1.

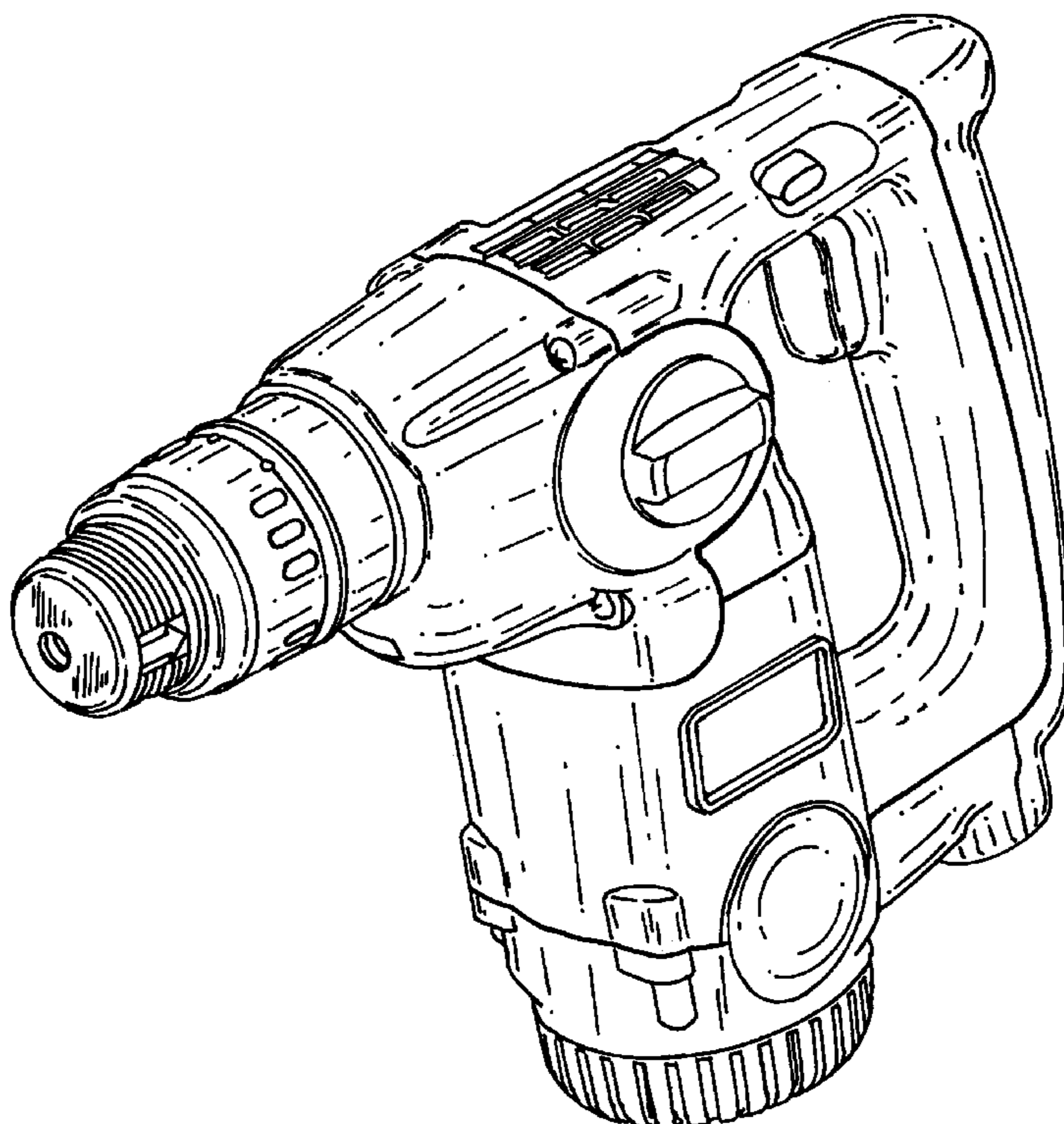
FIG. 5 is a top plan view of FIG. 1.

FIG. 6 is a bottom plan view of FIG. 1.

FIG. 7 is a front elevational view of FIG. 1; and,

FIG. 8 is a rear elevational view of FIG. 1.

**1 Claim, 7 Drawing Sheets**



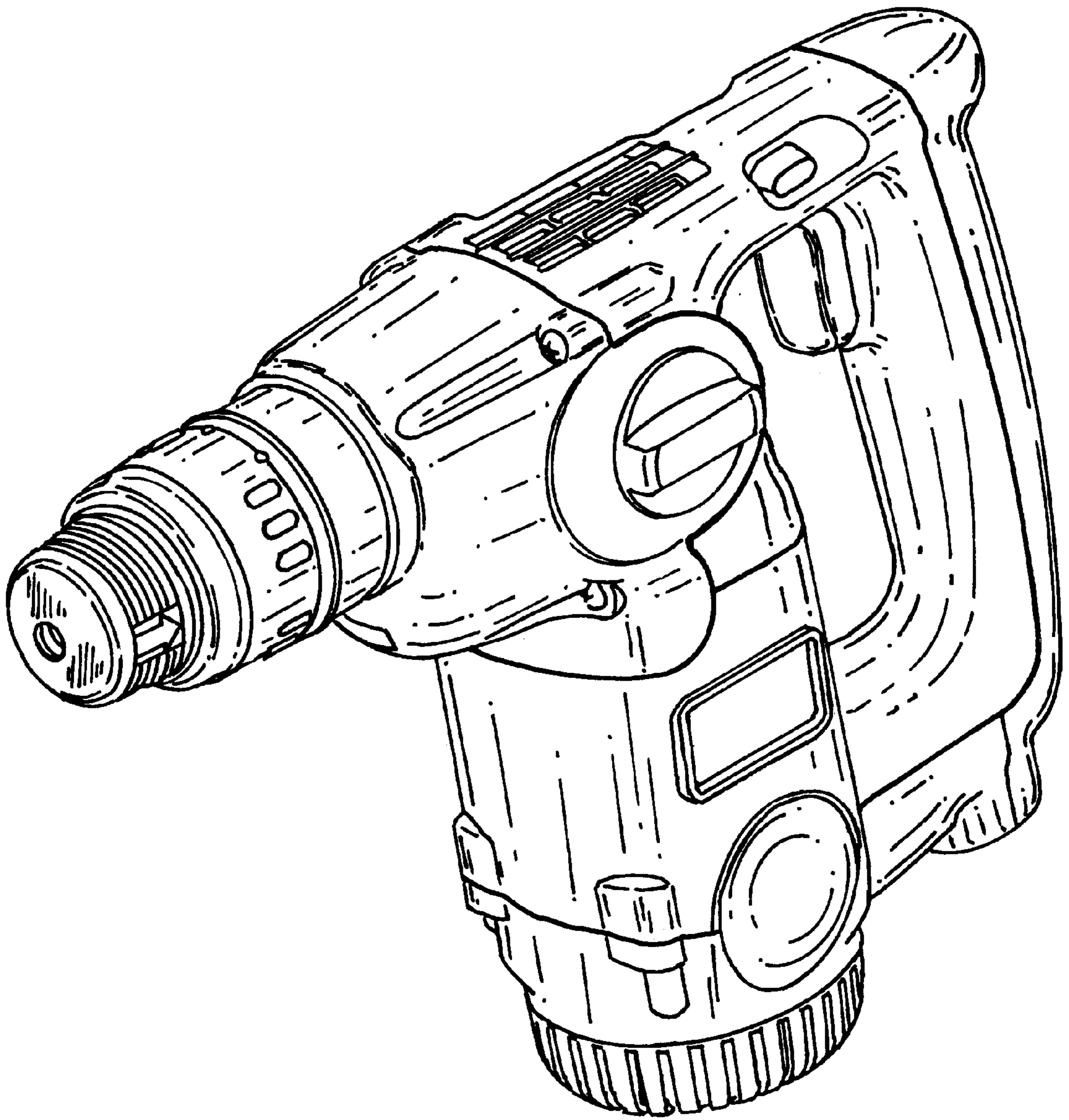


FIG. 1

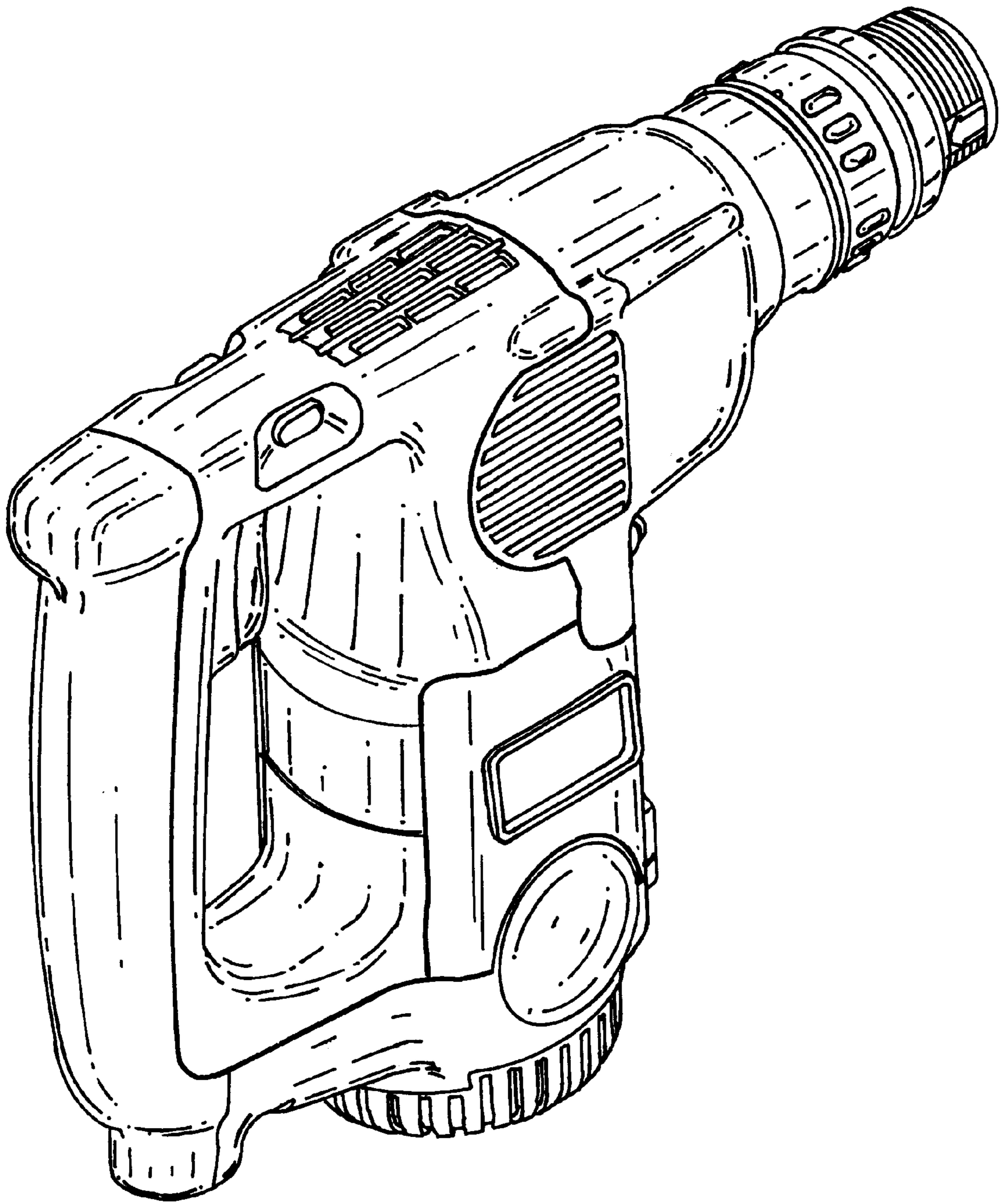


FIG. 2

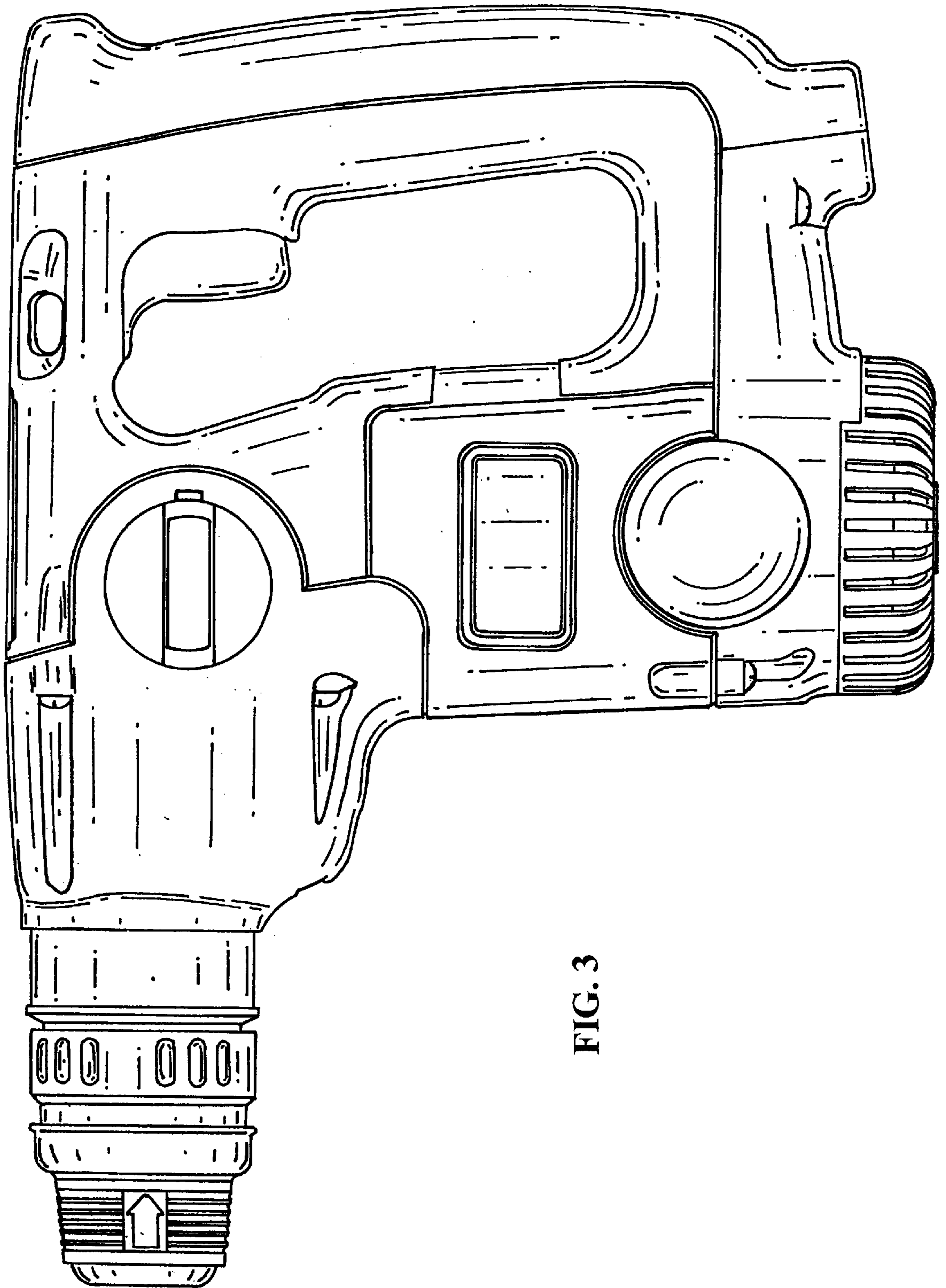


FIG. 3

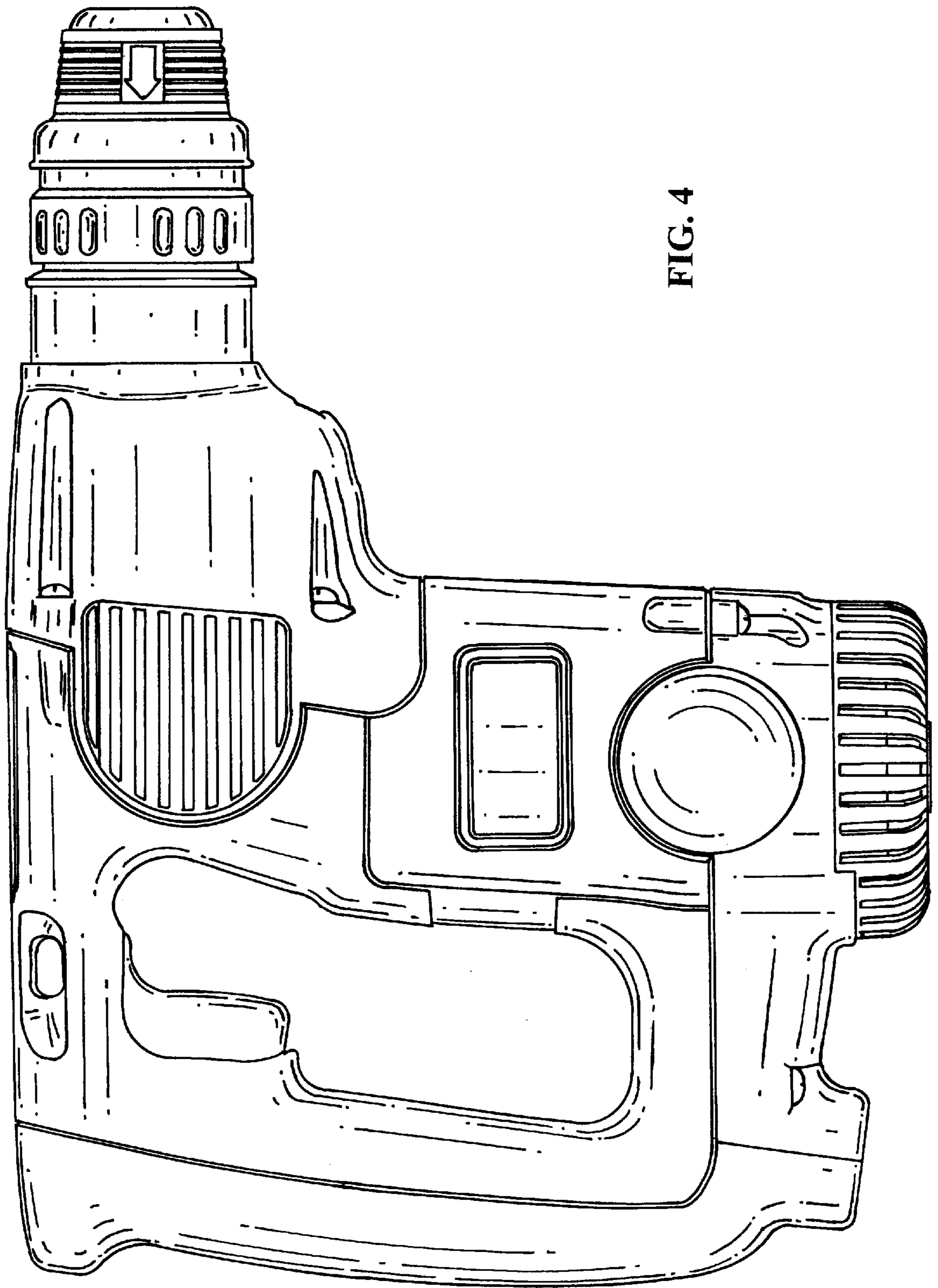


FIG. 4

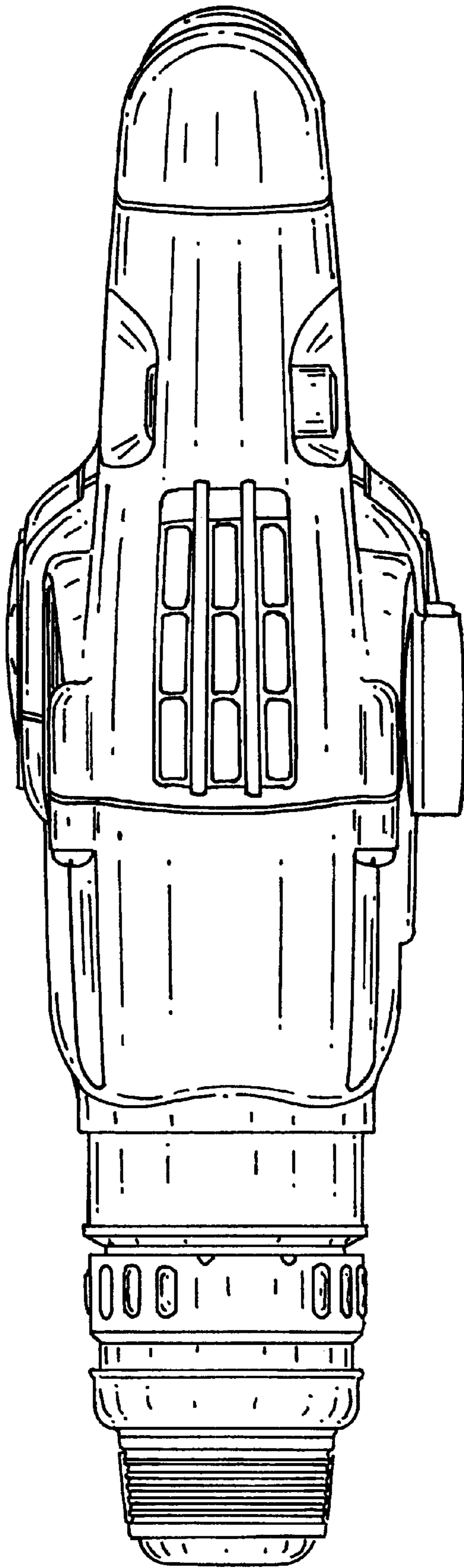


FIG. 5

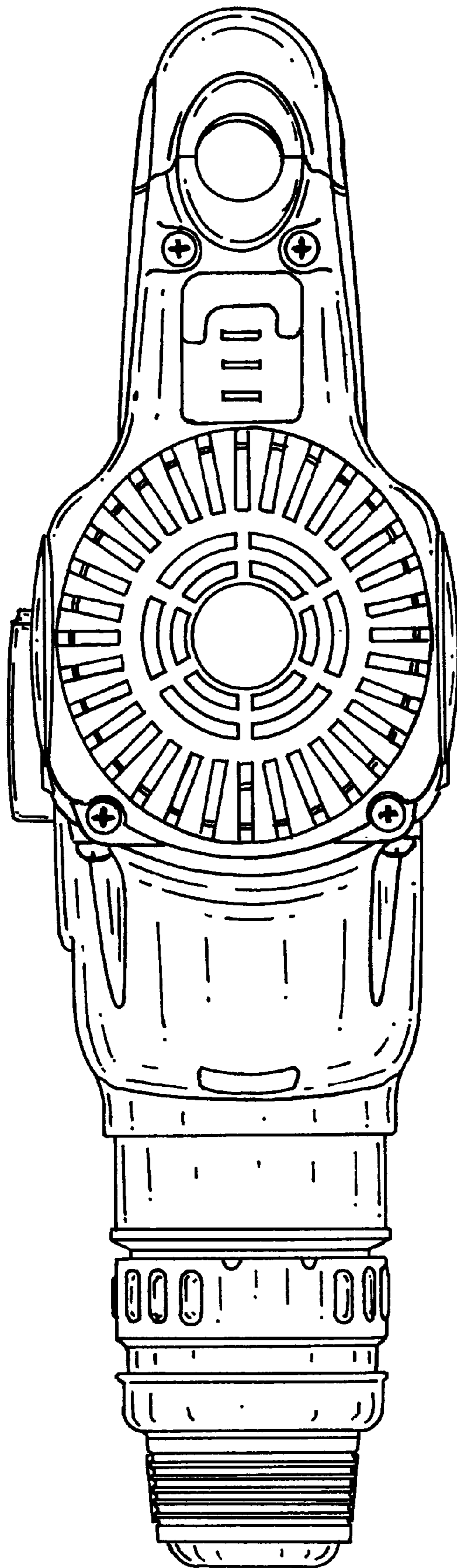


FIG. 6

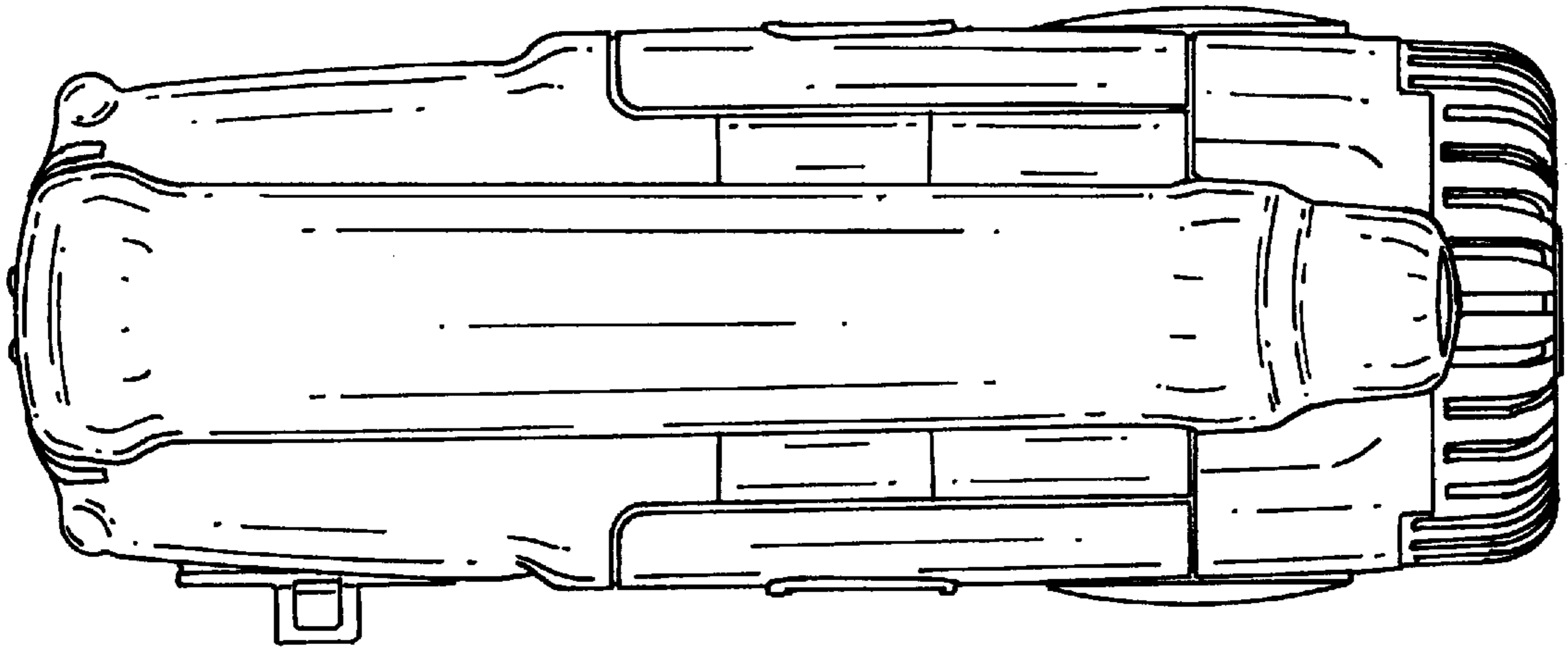


FIG. 8

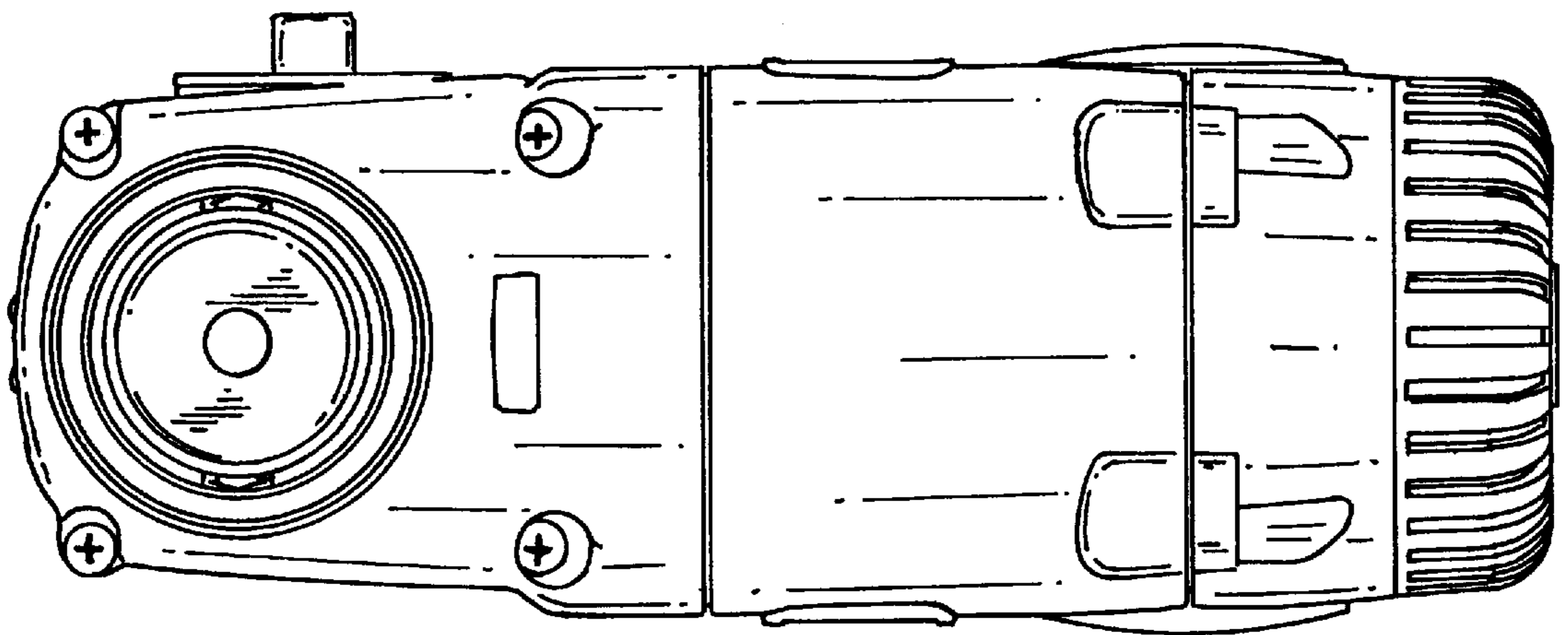


FIG. 7