



US00D474091S

(12) **United States Design Patent**
Arai

(10) **Patent No.:** **US D474,091 S**

(45) **Date of Patent:** **** May 6, 2003**

(54) **PNEUMATIC NAILING MACHINE**

(75) **Inventor:** **Masakazu Arai, Tokyo (JP)**

(73) **Assignee:** **Max Co., Ltd., Tokyo (JP)**

(**) **Term:** **14 Years**

(21) **Appl. No.:** **29/153,177**

(22) **Filed:** **Dec. 31, 2001**

(30) **Foreign Application Priority Data**

Jul. 5, 2001 (JP) 2001-019645

(51) **LOC (7) Cl. 08-05**

(52) **U.S. Cl. D8/69; D8/68**

(58) **Field of Search D8/61, 62, 63,**
D8/64, 65, 66, 67, 68, 69, 70; 81/57.11,
429, 464; 173/48, 109, 169, 178; 227/2,
8, 114, 120, 123, 130, 131, 136, 142; 310/50,
124, 241 R

(56) **References Cited**

U.S. PATENT DOCUMENTS

D358,749 S	*	5/1995	Matsunaga et al.	D8/69
D377,592 S	*	1/1997	Hattori	D8/69
D379,912 S	*	6/1997	Burke et al.	D8/68
D387,260 S	*	12/1997	Hattori	D8/69
5,715,982 A	*	2/1998	Adachi	227/142
D392,170 S	*	3/1998	Hattori	D8/68
5,842,625 A	*	12/1998	Kimura	227/130
D403,938 S	*	1/1999	Matsuoka et al.	D8/68
D432,882 S	*	10/2000	Matsuoka et al.	D8/68
D435,205 S	*	12/2000	Etter et al.	D8/69
6,161,744 A	*	12/2000	Mukoyama et al.	227/130

D435,770 S	*	1/2001	Arai	D8/68
D438,079 S	*	2/2001	Hattori	D8/69
D447,031 S	*	8/2001	Oh	D8/63
6,308,880 B1	*	10/2001	Ronconi	227/136

FOREIGN PATENT DOCUMENTS

JP 1052764 S 10/1999

* cited by examiner

Primary Examiner—Doris V. Coles

Assistant Examiner—T. Chase Nelson

(74) *Attorney, Agent, or Firm*—Morgan, Lewis & Bockius LLP

(57) **CLAIM**

The ornamental design for a pneumatic nailing machine, as shown and described.

DESCRIPTION

FIG. 1 is a perspective view of the front and left side of a pneumatic nailing machine showing my new design;

FIG. 2 is a front view thereof;

FIG. 3 is a rear view thereof;

FIG. 4 is a top plan view thereof;

FIG. 5 is a bottom view thereof;

FIG. 6 is a right side view thereof; and,

FIG. 7 is a left side view thereof.

The broken line portion in the drawings represents the bounds of the nail magazine for the claimed design for a pneumatic nailing machine. The broken line portion is for illustrative purposes only and forms no part of the claimed design.

1 Claim, 5 Drawing Sheets

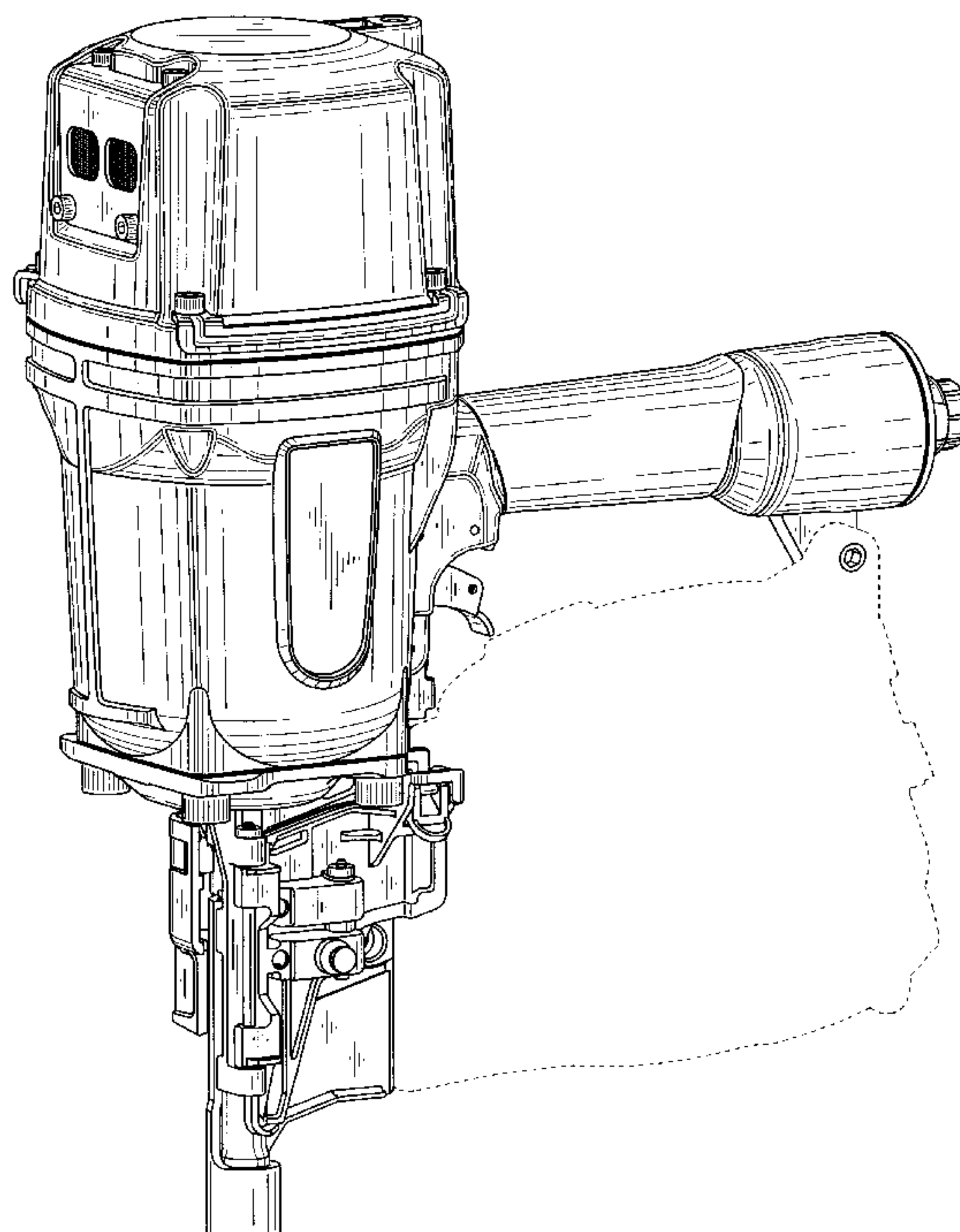


FIG. 1

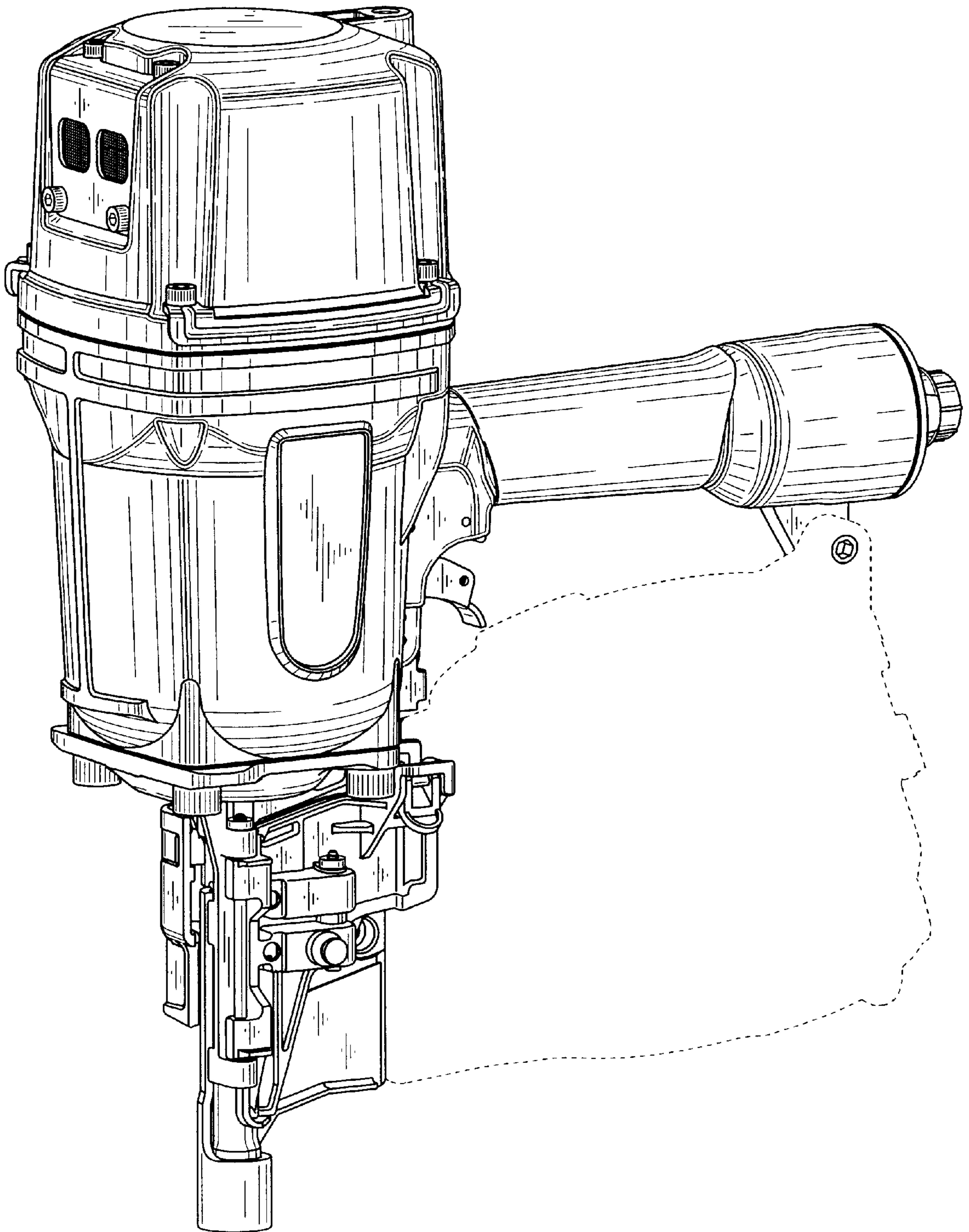


FIG. 2

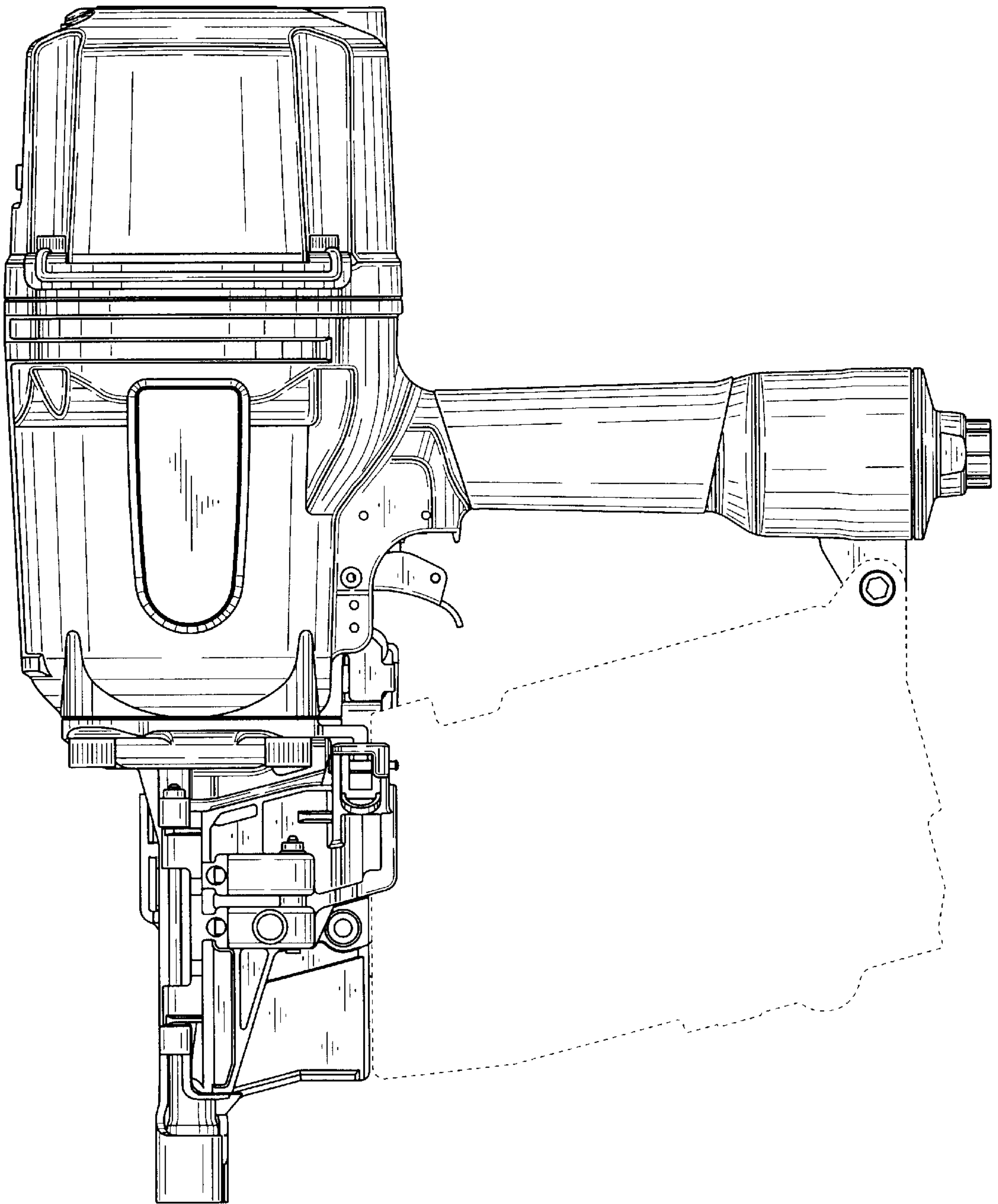


FIG. 3

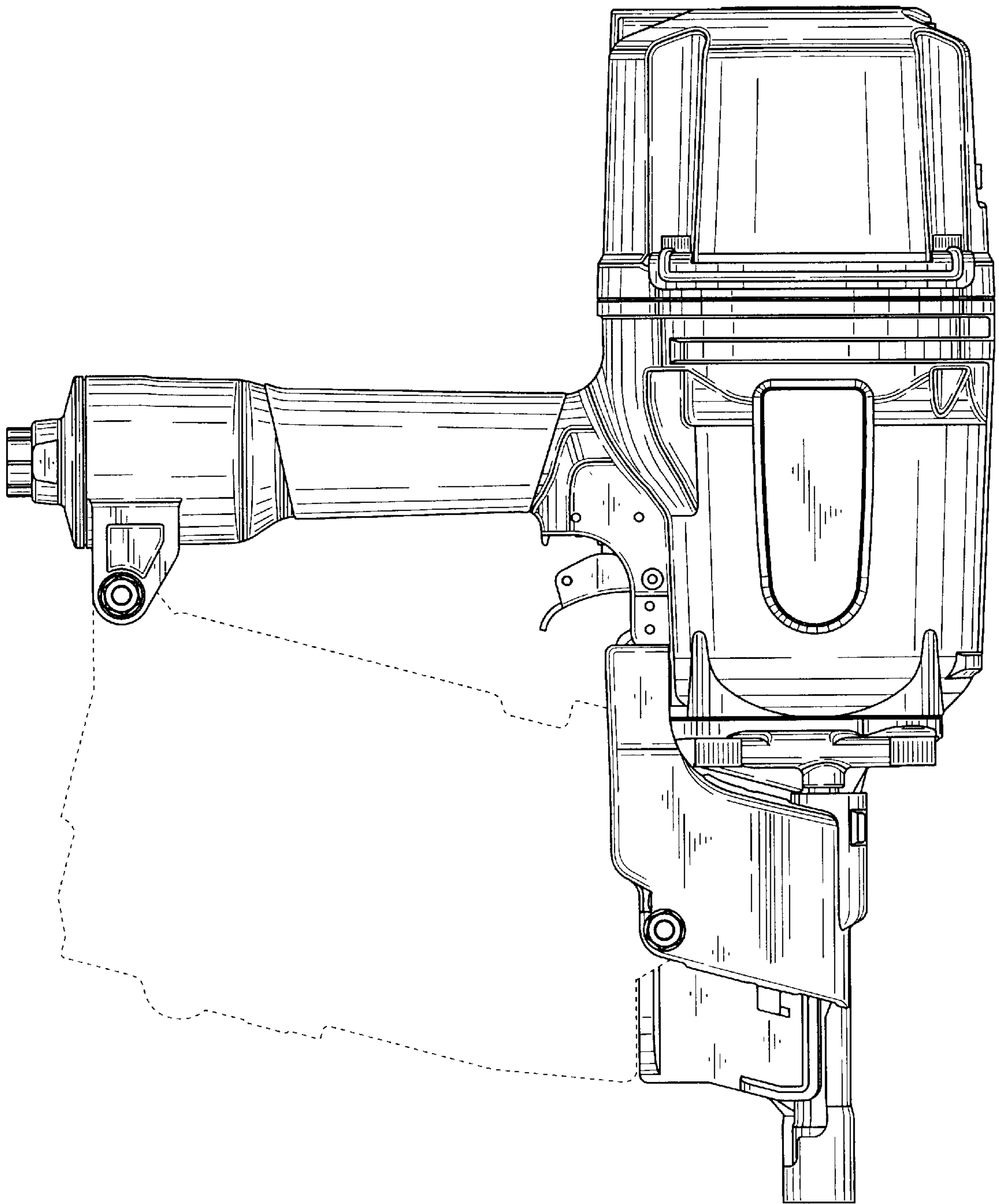


FIG. 4

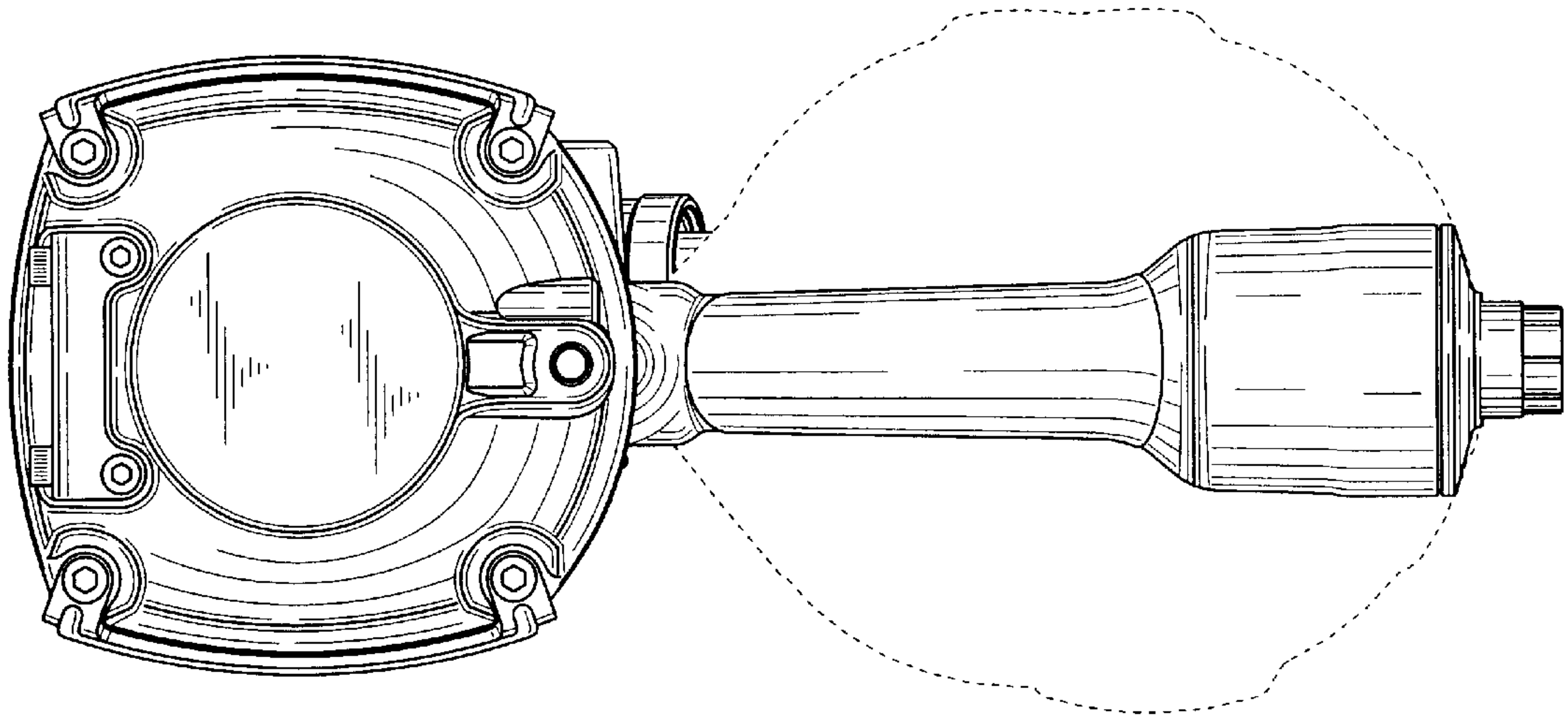


FIG. 5

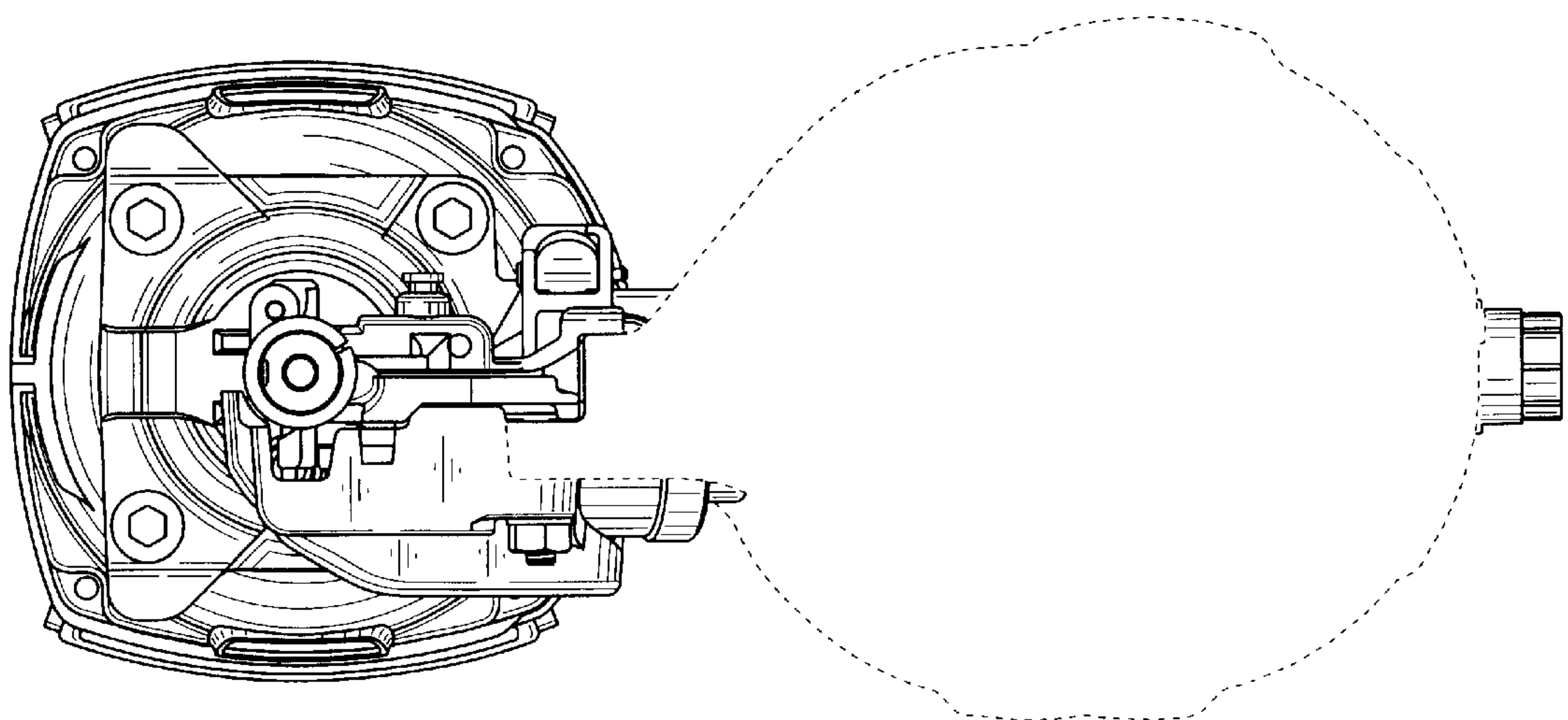


FIG. 6

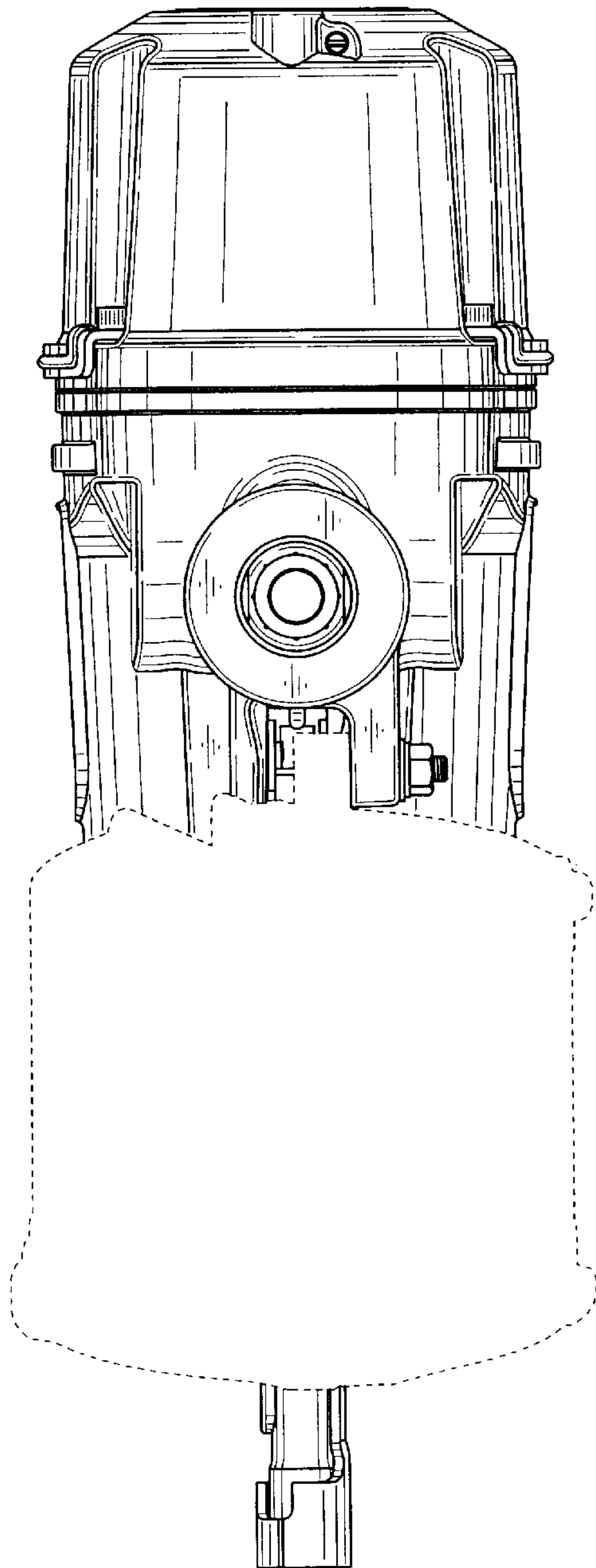


FIG. 7

