



US00D474090S

(12) **United States Design Patent**
Garvis et al.

(10) **Patent No.:** **US D474,090 S**

(45) **Date of Patent:** **** May 6, 2003**

(54) **NAILING MACHINE**

(75) Inventors: **Conrad A. Garvis**, Mason, OH (US);
Paul Patterson, Cincinnati, OH (US);
Kenneth P. Richied, Liberty Township,
OH (US); **John T. Burke**,
Williamsburg, OH (US)

(73) Assignee: **Senco Products, Inc.**, Cincinnati, OH
(US)

(**) Term: **14 Years**

(21) Appl. No.: **29/154,940**

(22) Filed: **Feb. 1, 2002**

(51) **LOC (7) Cl.** **08-05**

(52) **U.S. Cl.** **D8/68; D8/69**

(58) **Field of Search** D8/61, 62, 63,
D8/64, 65, 66, 67, 68, 69, 70; 81/57.11,
429, 464, 465, 466, 469, 489; 173/13, 169,
178, 213, 217; 227/8, 114, 120, 130, 136,
142; 310/50; 408/20, 124, 125, 234, 241 R;
451/358

(56) **References Cited**

U.S. PATENT DOCUMENTS

D246,946 S	1/1978	Schultz	D8/68
D256,771 S	* 9/1980	Kitagawa et al.	D8/68
D260,354 S	8/1981	Proops et al.	D8/61
D316,022 S	* 4/1991	Moraht	D8/69
D337,710 S	7/1993	Lui et al.	D8/68
D338,818 S	* 8/1993	Katsuba	D8/69
5,522,533 A	* 6/1996	Mukoyama et al.	227/136

5,593,079 A	*	1/1997	Mukoyama et al.	227/130
D415,002 S		10/1999	Rogers et al.	D8/69
D416,182 S		11/1999	Kaiser et al.	D8/61
D416,775 S		11/1999	Hwang et al.	D8/69
D420,878 S		2/2000	Li	D8/69
D462,884 S	*	9/2002	Oh	D8/69

* cited by examiner

Primary Examiner—Doris V. Coles

Assistant Examiner—T. Chase Nelson

(74) *Attorney, Agent, or Firm*—Frost Brown Todd LLC

(57) **CLAIM**

The ornamental design for a nailing machine, as shown and described.

DESCRIPTION

FIG. 1 is a perspective view of a nailing machine showing our new design.

FIG. 2 is a left side elevational view of the nailing machine shown in FIG. 1.

FIG. 3 is a right side elevational view of the nailing machine shown in FIG. 1.

FIG. 4 is a top view of the nailing machine shown in FIG. 1.

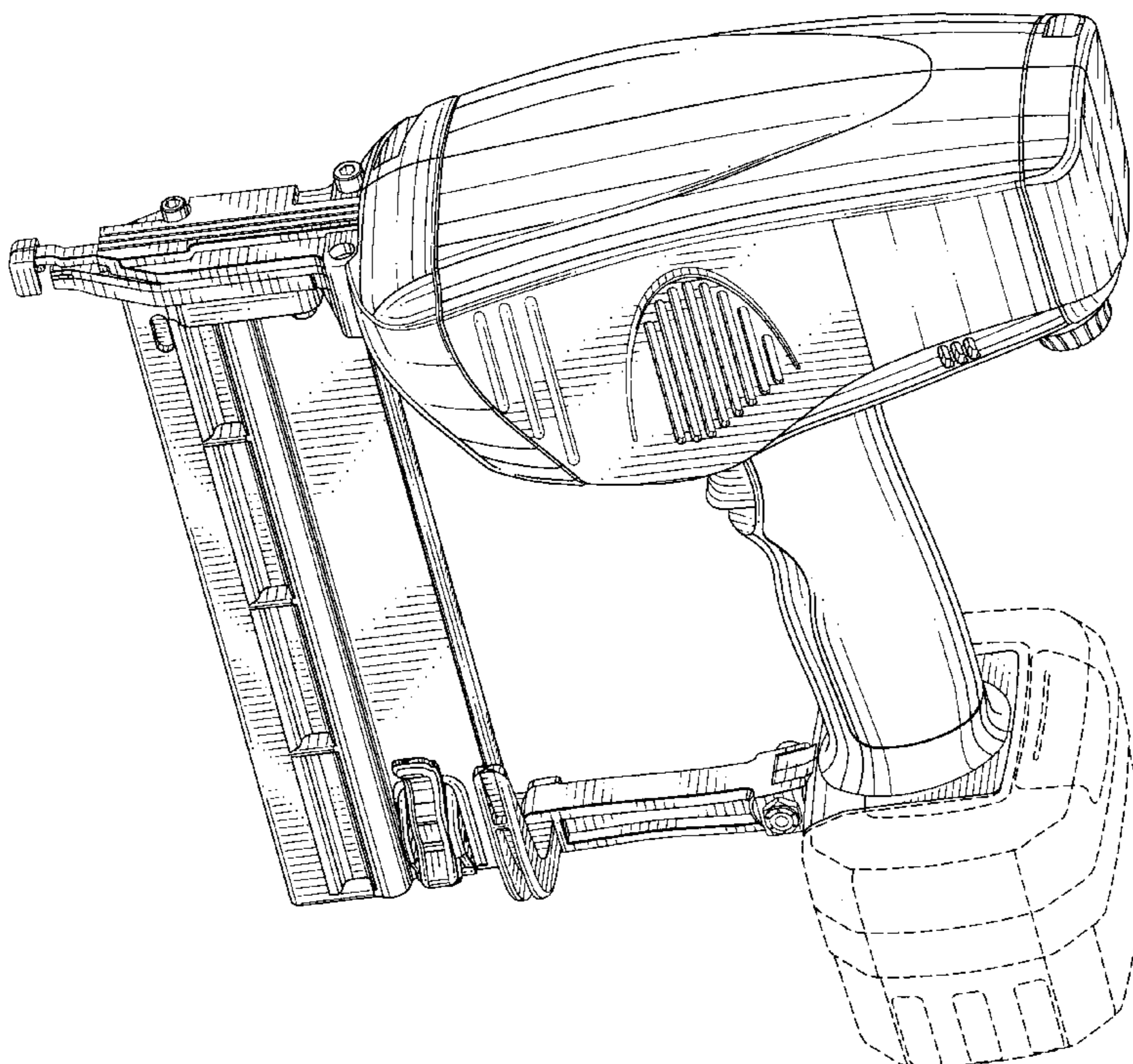
FIG. 5 is a bottom view of the nailing machine shown in FIG. 1.

FIG. 6 is a rear elevational view of the nailing machine shown in FIG. 1; and,

FIG. 7 is a front elevational view of the nailing machine shown in FIG. 1.

The broken lines in the drawings are for illustrative purposes only and form no part of the claimed design.

1 Claim, 5 Drawing Sheets



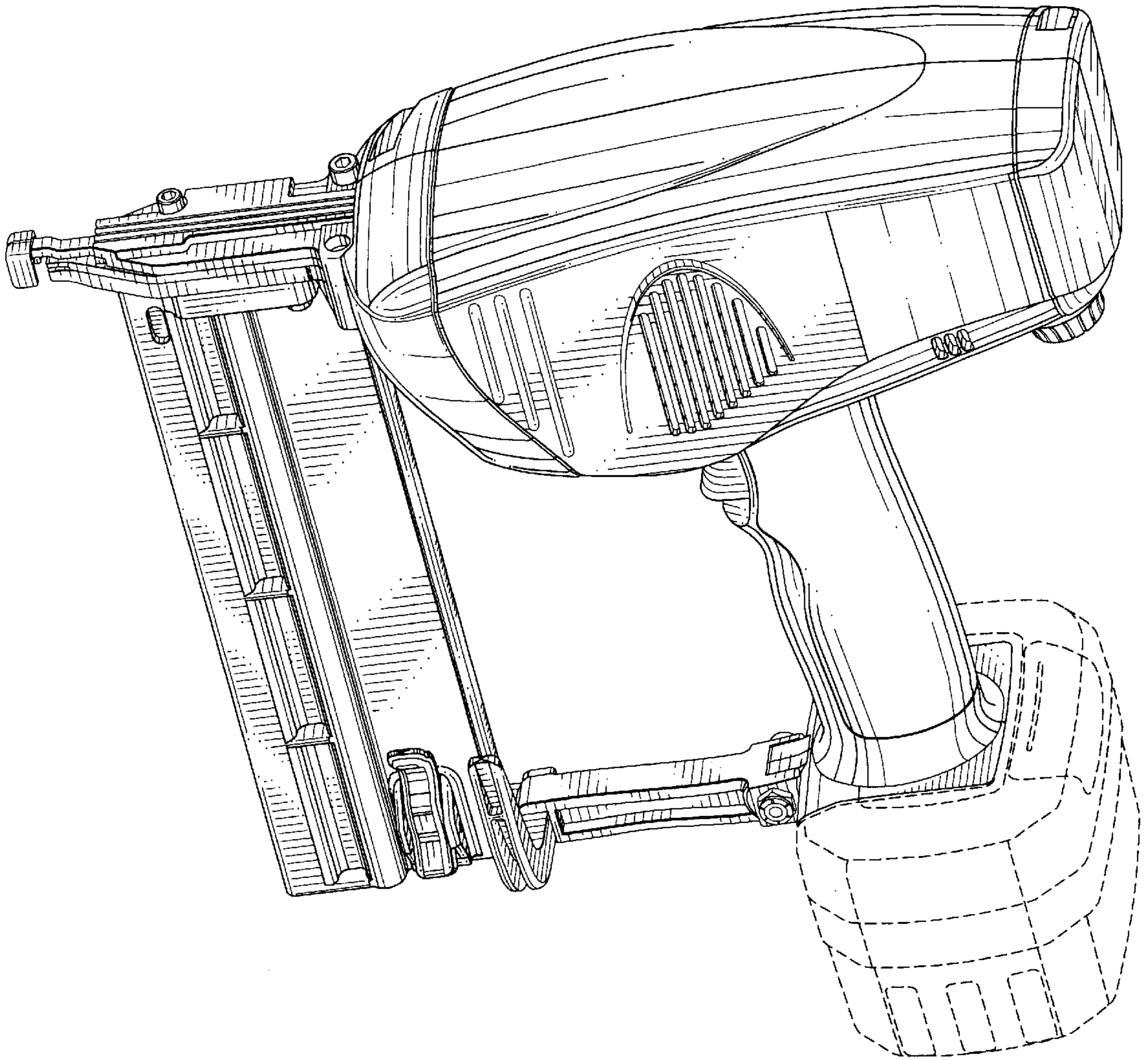


FIG. 1

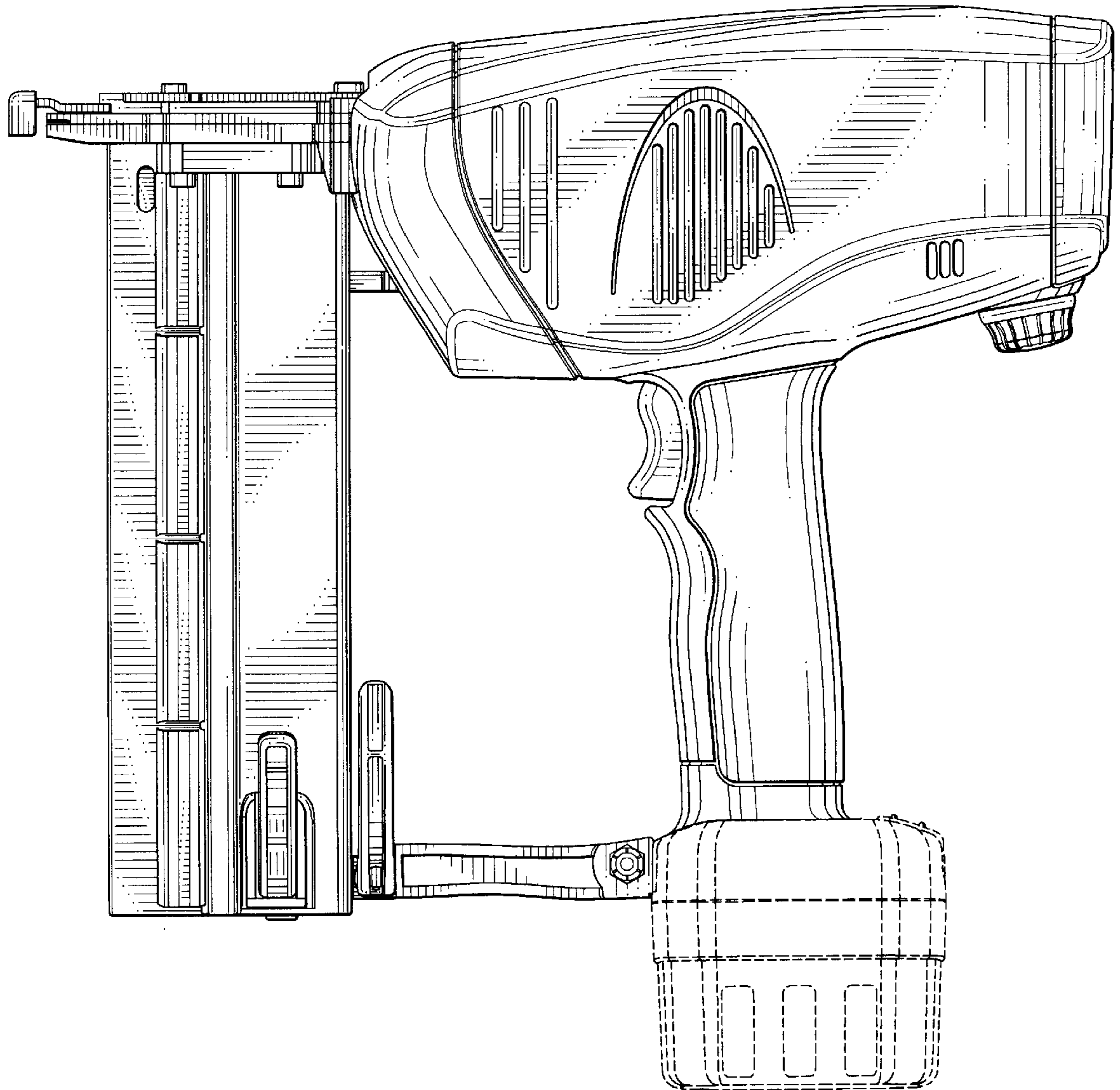


FIG. 2

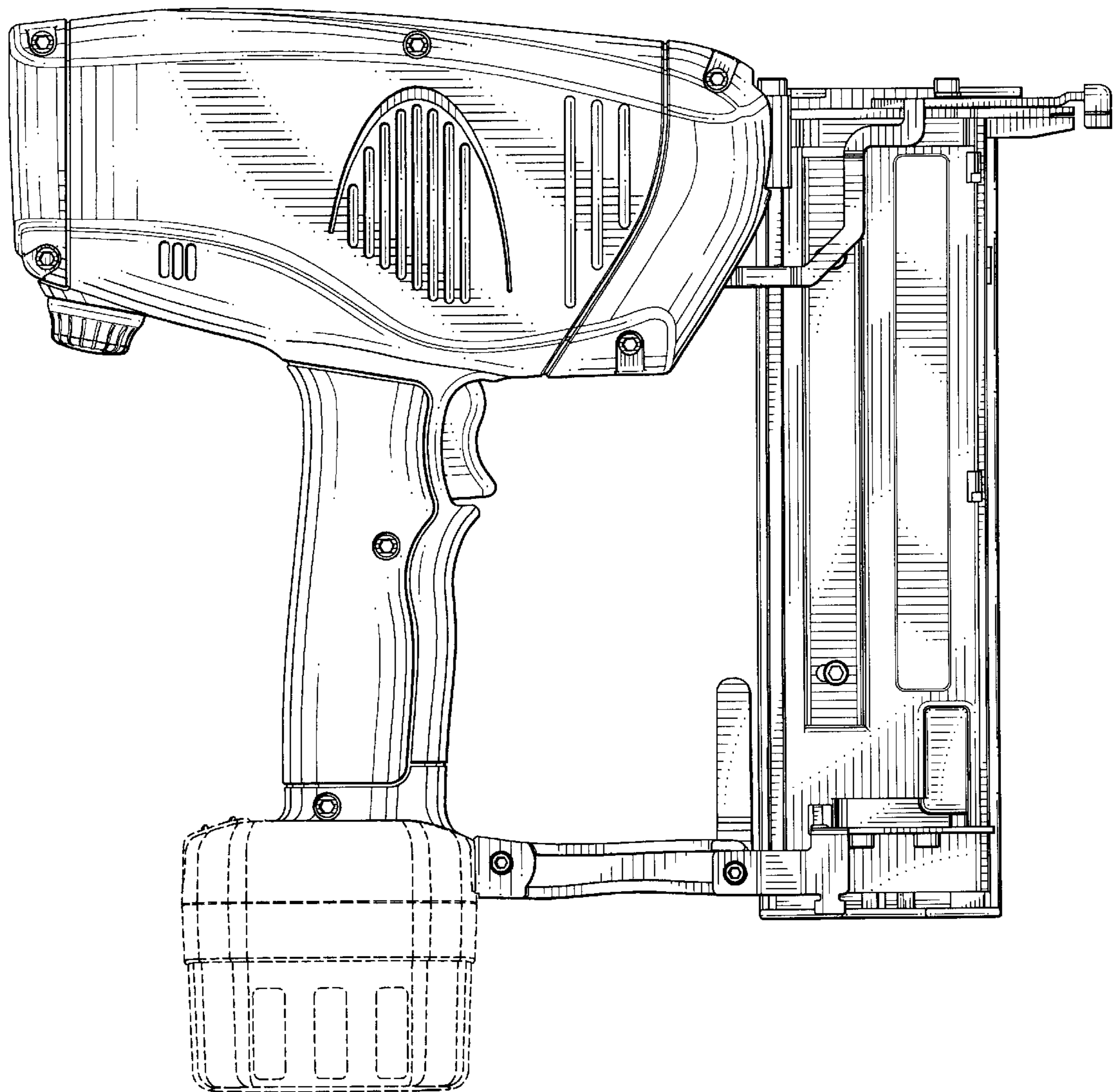


FIG. 3

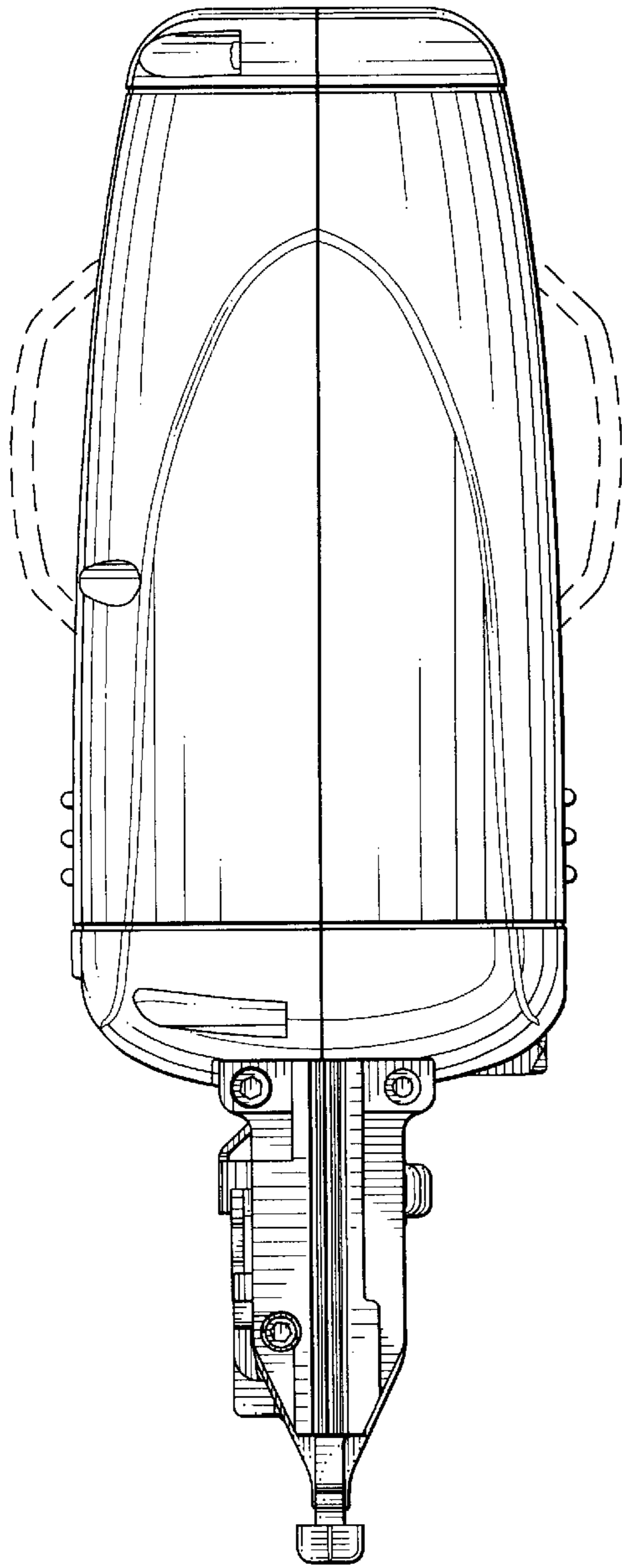


FIG. 4

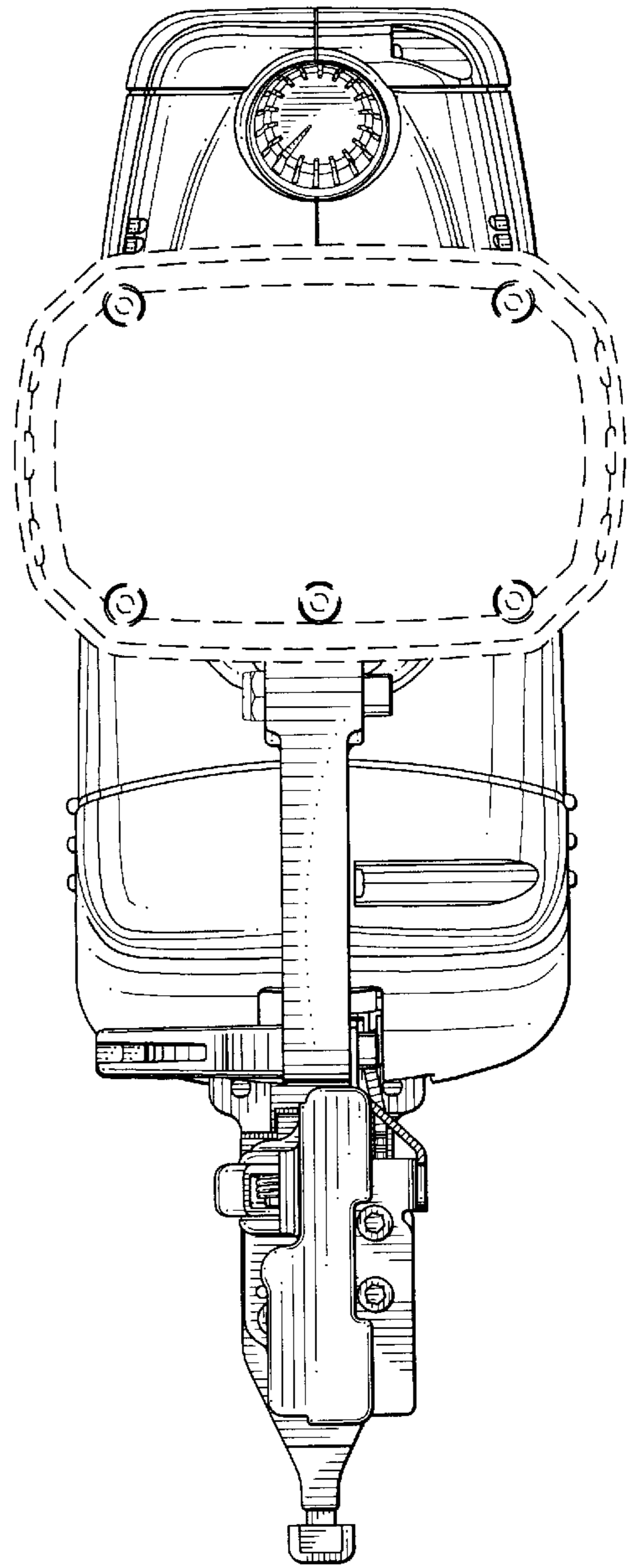


FIG. 5

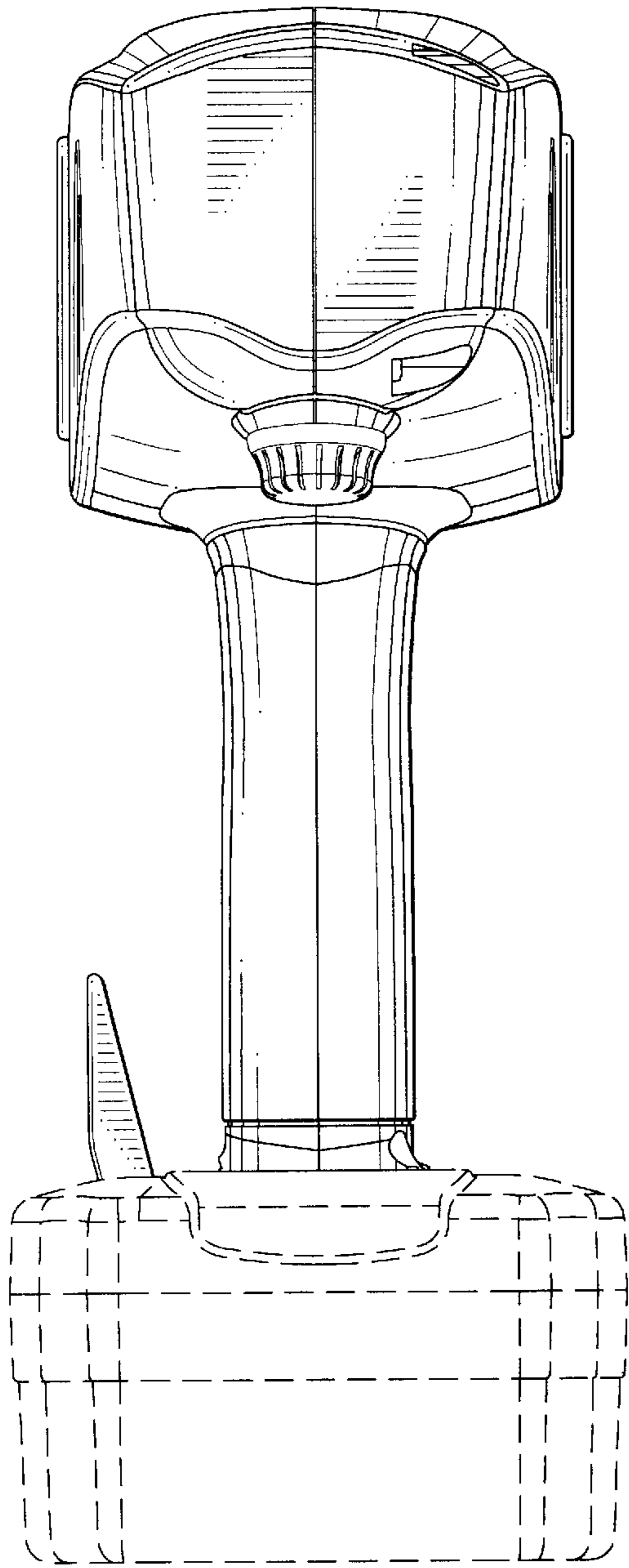


FIG. 6

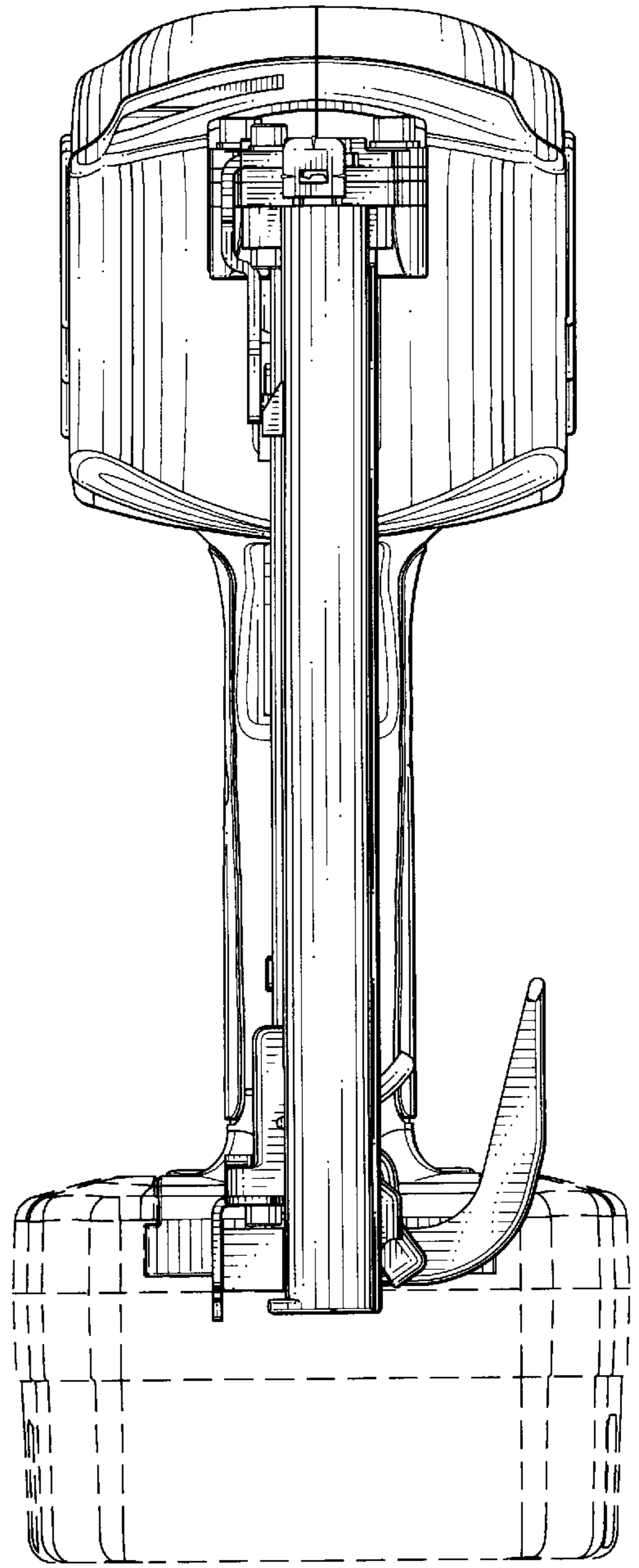


FIG. 7