



US00D474089S

(12) **United States Design Patent**  
**Huang**

(10) **Patent No.:** **US D474,089 S**

(45) **Date of Patent:** **\*\* May 6, 2003**

(54) **PNEUMATIC POWER CUTTING TOOL**

(75) Inventor: **Chung-Jen Huang**, Tucheng (TW)

(73) Assignee: **Mountain Pneumatic Tools Co., Ltd.**,  
Taipei Hsien (TW)

(\*\*) Term: **14 Years**

(21) Appl. No.: **29/163,297**

(22) Filed: **Jul. 2, 2002**

(51) **LOC (7) Cl.** ..... **08-03**

(52) **U.S. Cl.** ..... **D8/64; D8/68**

(58) **Field of Search** ..... D8/61, 62, 64,  
D8/68; 30/272.1, 374, 375, 376, 377, 388,  
392, 394, 500; 173/15, 47, 48, 109, 170,  
216, 217; 310/47, 50; 408/241 R, 241 S

(56) **References Cited**

**U.S. PATENT DOCUMENTS**

3,155,011	A	*	11/1964	Hyskell	.....	30/392
3,851,715	A	*	12/1974	Hedrick	.....	D8/68
D320,540	S	*	10/1991	Staubitz et al.	.....	D8/61
D322,206	S	*	12/1991	Fukuda et al.		
5,480,507	A	*	1/1996	Arnold	.....	30/500
D408,241	S	*	4/1999	Jansson	.....	D8/61

**OTHER PUBLICATIONS**

Jet Chisel Tool #JEX-28, Jet Chisel Brochure, Nitto Kohki Co. Ltd.\*

\* cited by examiner

*Primary Examiner*—Doris V. Coles

*Assistant Examiner*—Elizabeth A. Albert

(74) *Attorney, Agent, or Firm*—Troxell Law Office PLLC

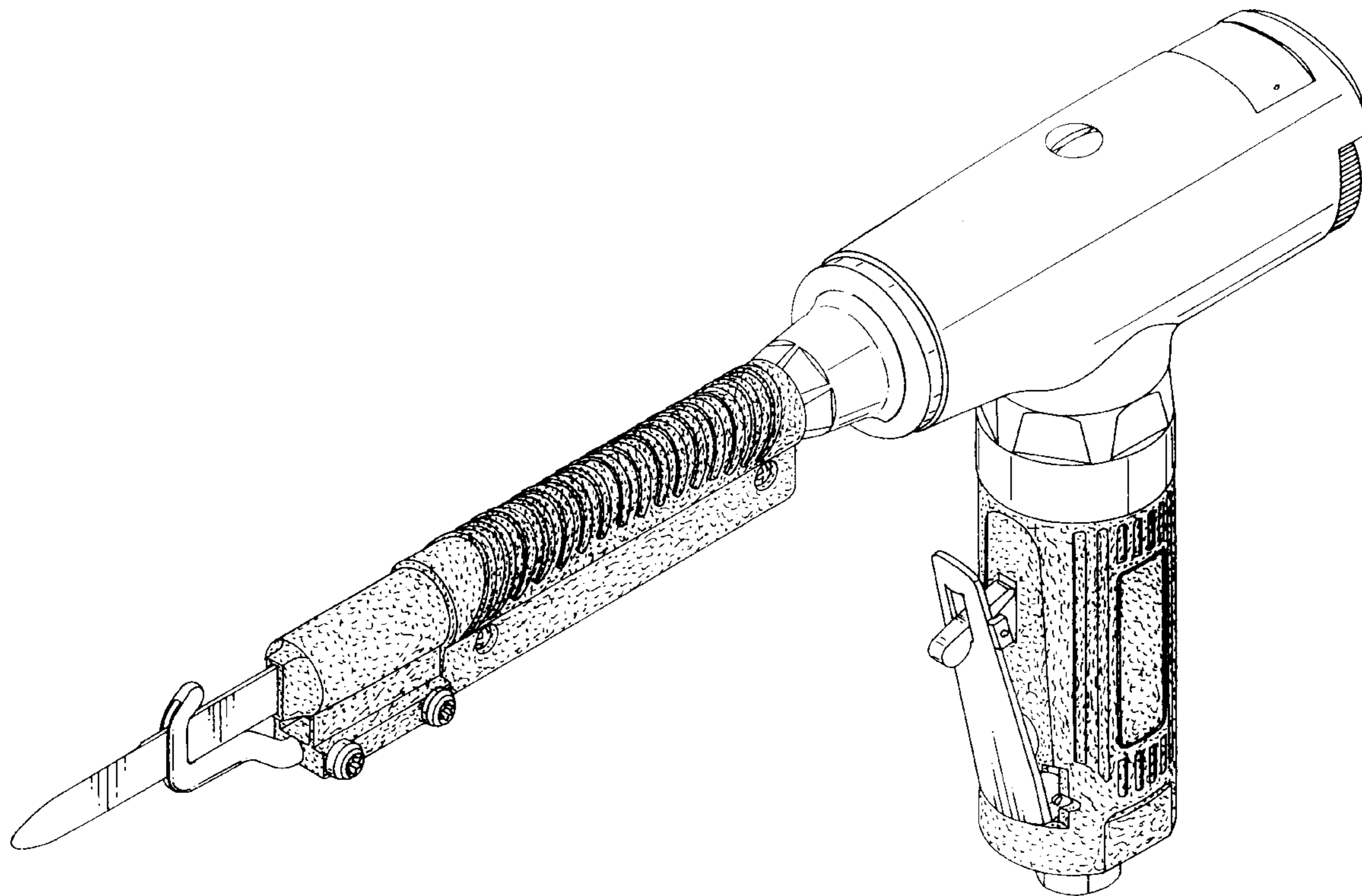
(57) **CLAIM**

The ornamental design for pneumatic power cutting tool, as shown and described.

**DESCRIPTION**

FIG. 1 is a perspective view of a pneumatic power cutting tool showing my new design;  
FIG. 2 is a front elevational view thereof;  
FIG. 3 is a rear elevational view thereof;  
FIG. 4 is a top plan view thereof;  
FIG. 5 is a bottom plan view thereof;  
FIG. 6 is a left side elevational view thereof;  
FIG. 7 is a right side elevational view thereof; and,  
FIG. 8 is another perspective view of the design.

**1 Claim, 6 Drawing Sheets**



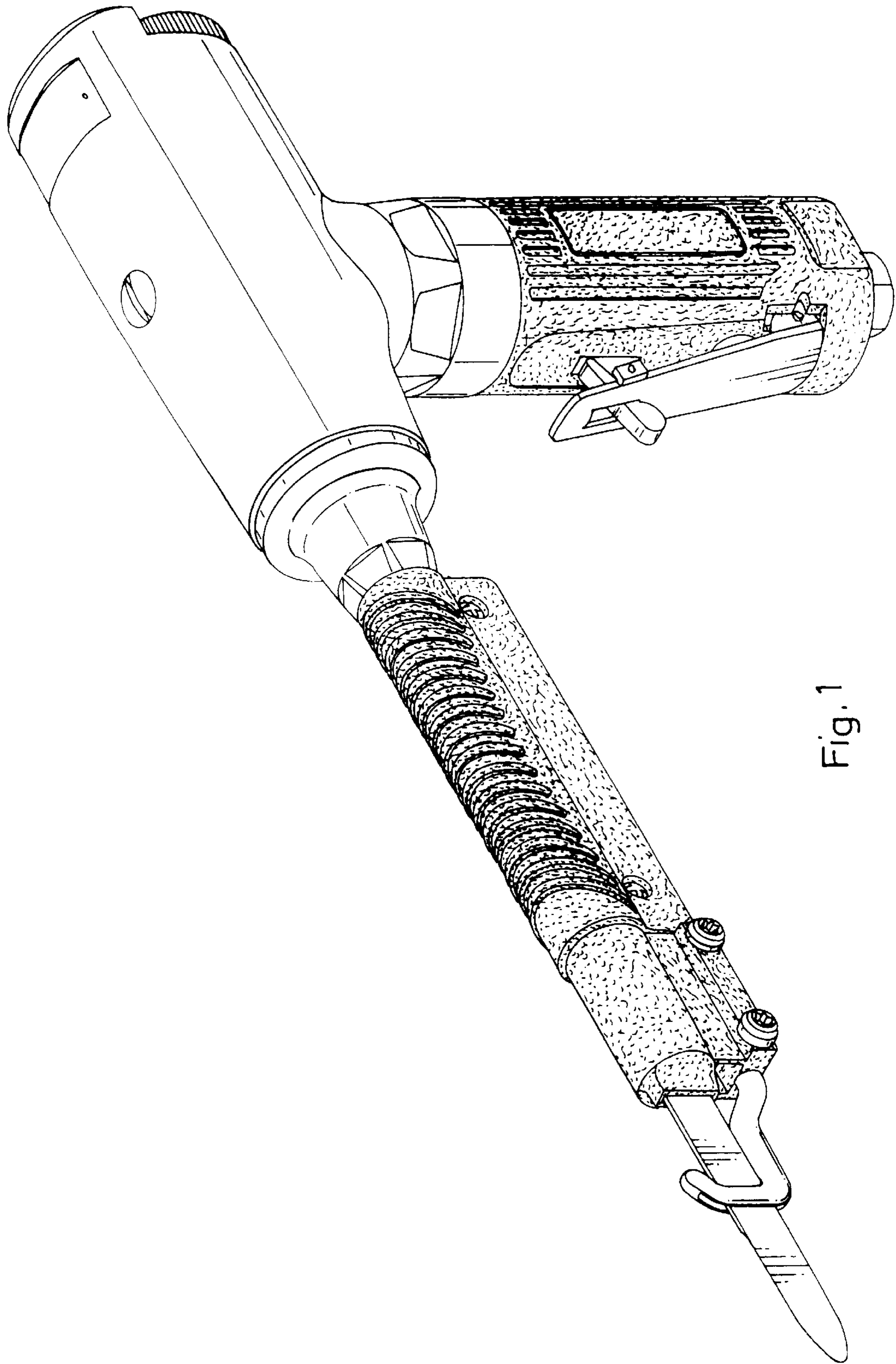


Fig. 1

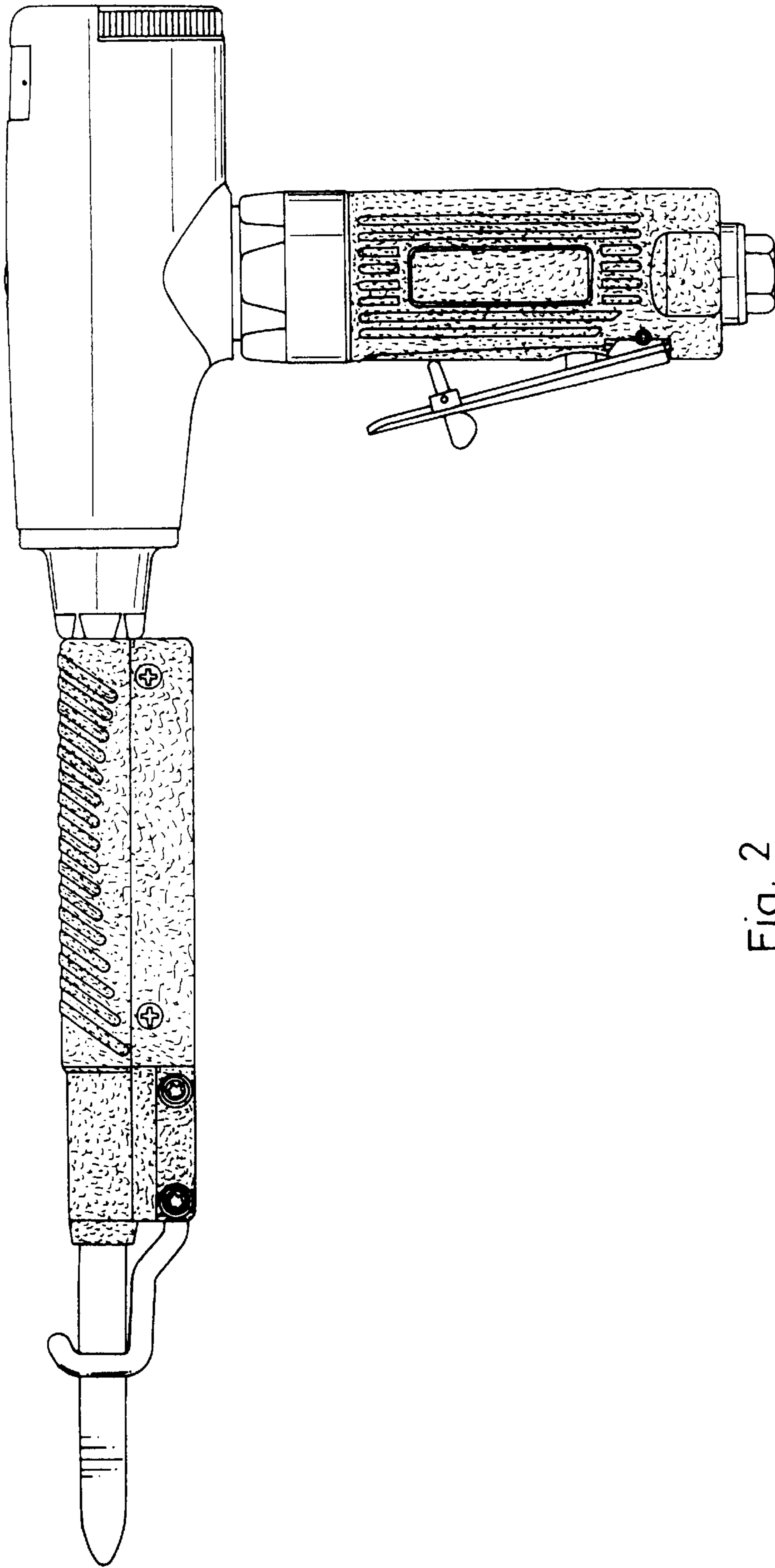


Fig. 2

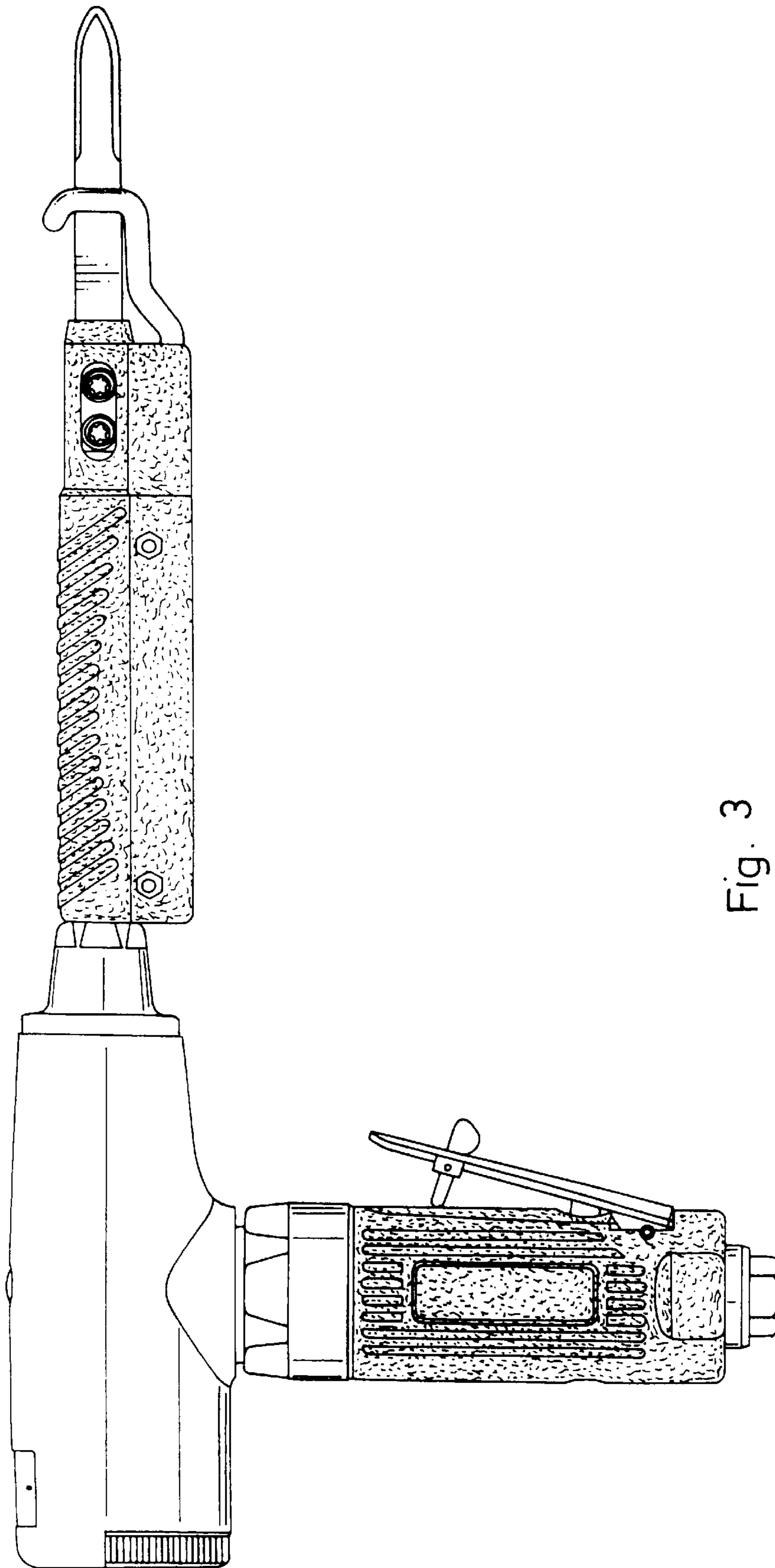


Fig. 3

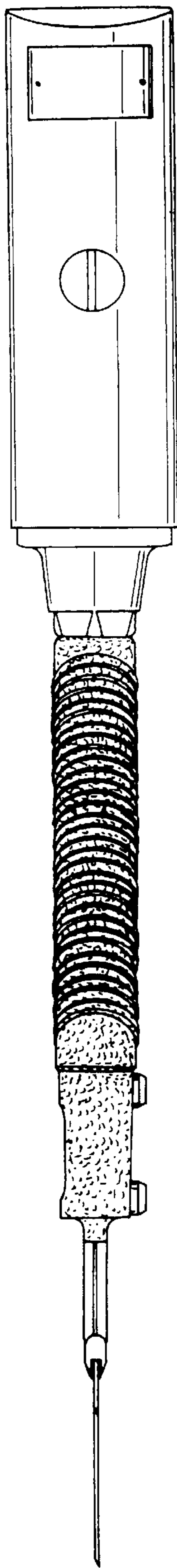


Fig. 4

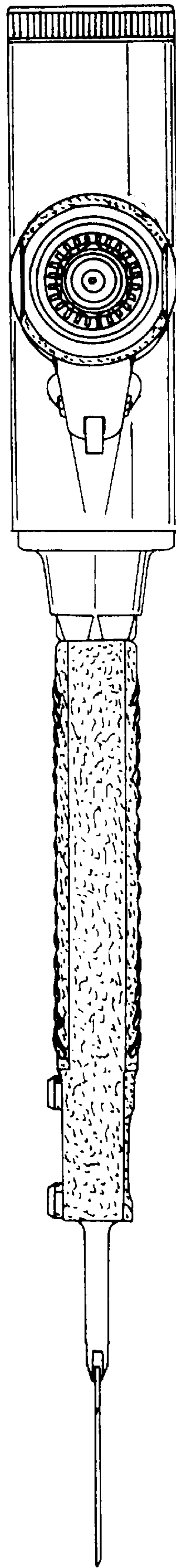


Fig. 5

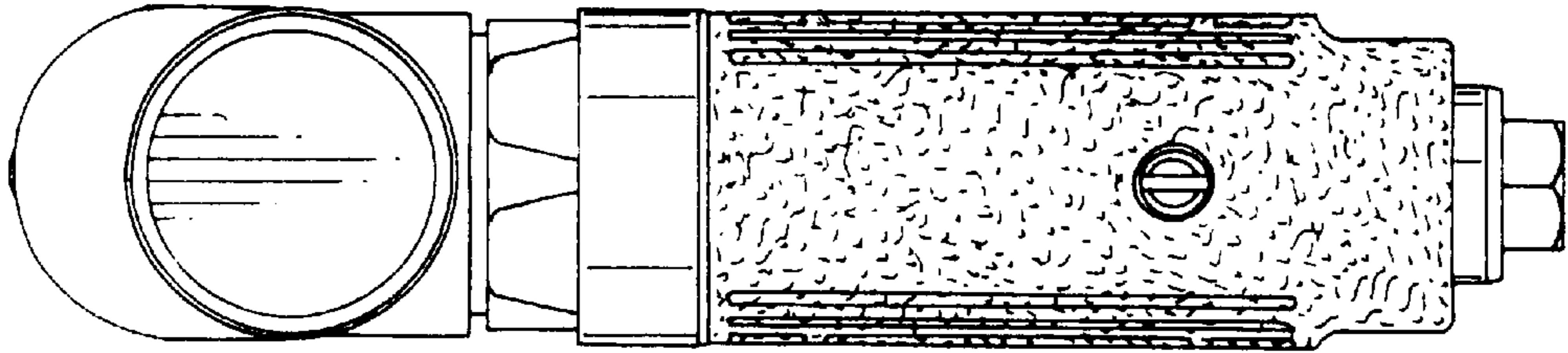


Fig. 7

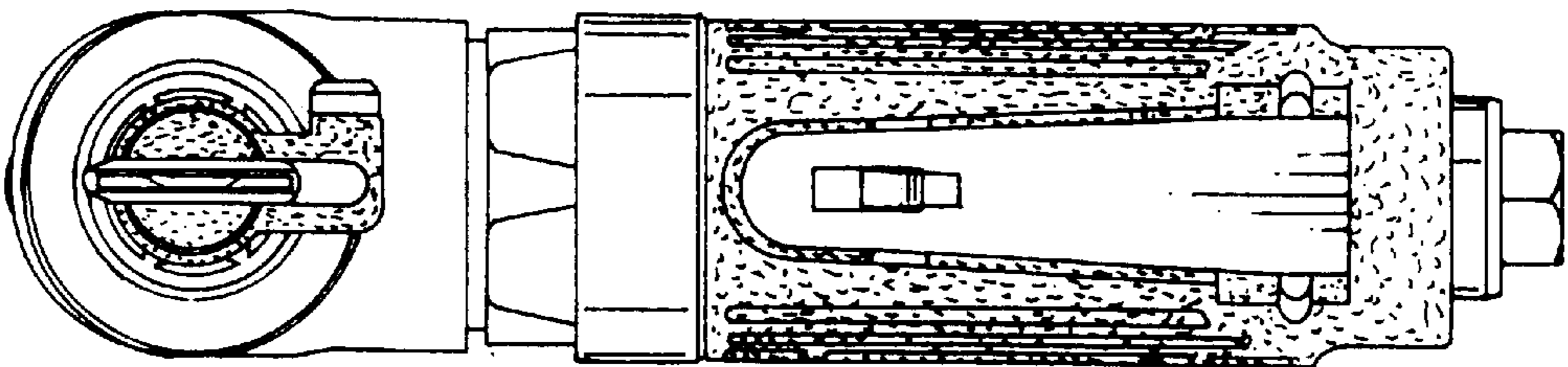


Fig. 6

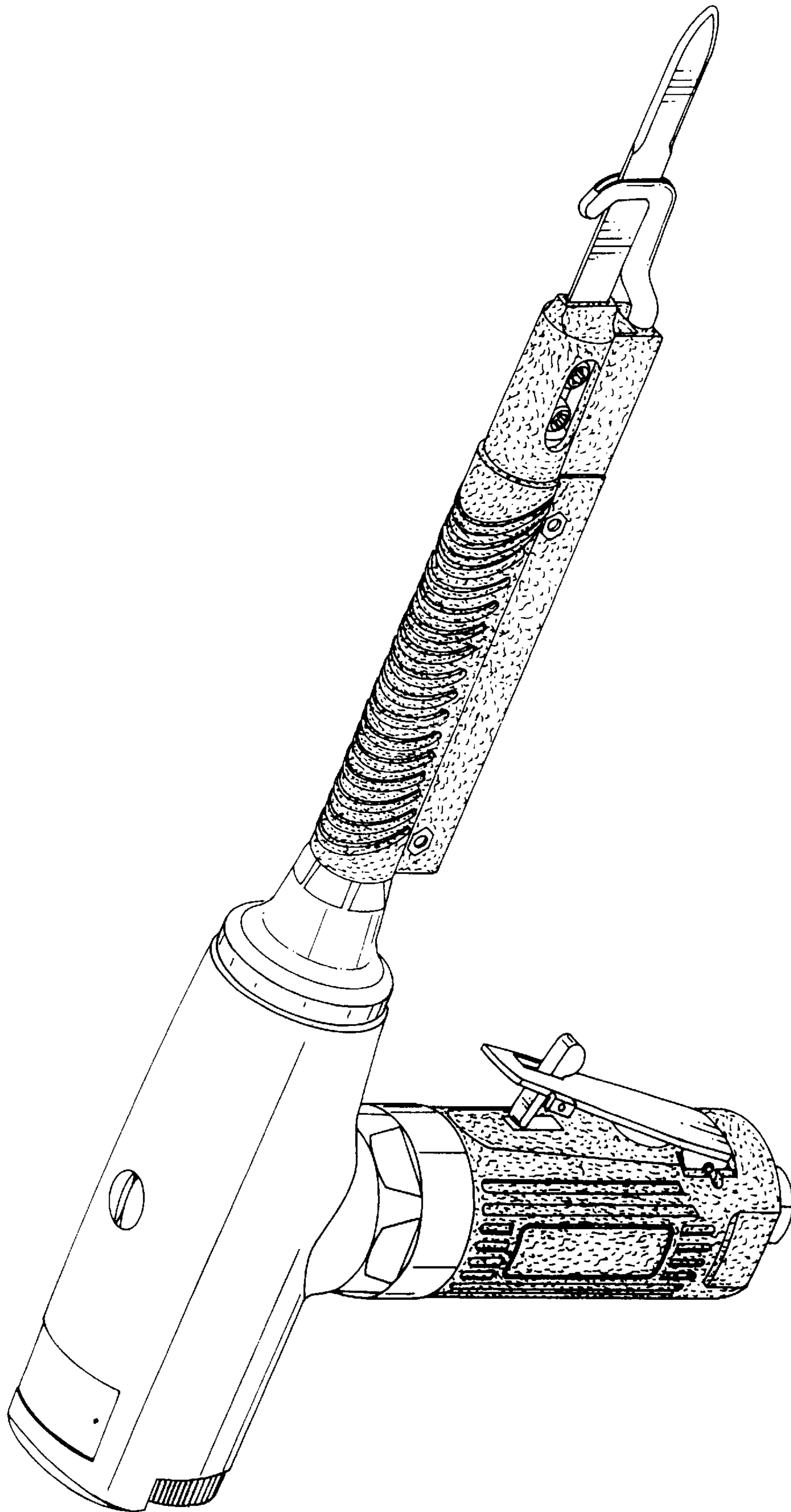


Fig. 8