



US00D474088S

(12) **United States Design Patent**  
**Chunn et al.**

(10) **Patent No.:** **US D474,088 S**

(45) **Date of Patent:** **\*\* May 6, 2003**

(54) **CORDLESS RECIPROCATING SAW**

(75) Inventors: **Daniel Alex Chunn**, Kowloon (HK);  
**Thomas Kam Kee Wong**, Kowloon (HK)

(73) Assignee: **One World Technologies Ltd.** (BM)

(\*\*) Term: **14 Years**

(21) Appl. No.: **29/154,750**

(22) Filed: **Jan. 28, 2002**

(51) **LOC (7) Cl.** ..... **08-03**

(52) **U.S. Cl.** ..... **D8/64**

(58) **Field of Search** ..... D8/61, 62, 64,  
D8/68; 30/272.1, 374, 375, 376, 377, 388,  
392, 393, 394, 500; 173/15, 47, 48, 109,  
170, 216, 217; 310/47, 50; 408/241 R,  
241 S

(56) **References Cited**

**U.S. PATENT DOCUMENTS**

2,730,635 A	1/1956	McCabe
2,824,455 A	2/1958	Ristow et al.
4,385,443 A	5/1983	O'Banion
4,550,501 A	11/1985	Moore, Jr. et al.
D292,368 S	10/1987	Mikiya
4,884,344 A	12/1989	Martinez et al.
5,007,172 A	4/1991	Palm
D327,829 S	7/1992	Mochida
D339,510 S	9/1993	Sakamoto et al.
D343,345 S	1/1994	Ogawa et al.
5,598,636 A	2/1997	Stolzer
D388,676 S	1/1998	Niwa et al.
D401,128 S	11/1998	Zurwelle
D408,699 S	4/1999	Zurwelle
D409,468 S	5/1999	Uchida et al.
5,940,977 A	8/1999	Moore, Jr.
D416,180 S	11/1999	Sakai et al.
D427,499 S	7/2000	Ricci et al.

D428,786 S	8/2000	Hayakawa et al.	
D434,627 S	12/2000	Buck	
6,189,217 B1 *	2/2001	Melvin et al.	30/392
D440,849 S	4/2001	Sakai et al.	
D440,851 S	4/2001	Sakai et al.	
6,272,757 B1 *	8/2001	Roe	30/377
D447,924 S	9/2001	Neitzell et al.	
6,282,797 B1	9/2001	Osada et al.	
6,286,217 B1	9/2001	Dassoulas et al.	
6,286,609 B1 *	9/2001	Carrier et al.	610/50
D456,233 S	4/2002	Main	

**OTHER PUBLICATIONS**

Andrew Wormer, "Cordless Reciprocating Saws Almost Come of Age," *Fine Homebuilding*, Oct./Nov. 2001, pp. 72-77.

\* cited by examiner

*Primary Examiner*—Doris V. Coles

*Assistant Examiner*—Elizabeth Albert

(74) *Attorney, Agent, or Firm*—Brooks & Kushman P.C.

(57) **CLAIM**

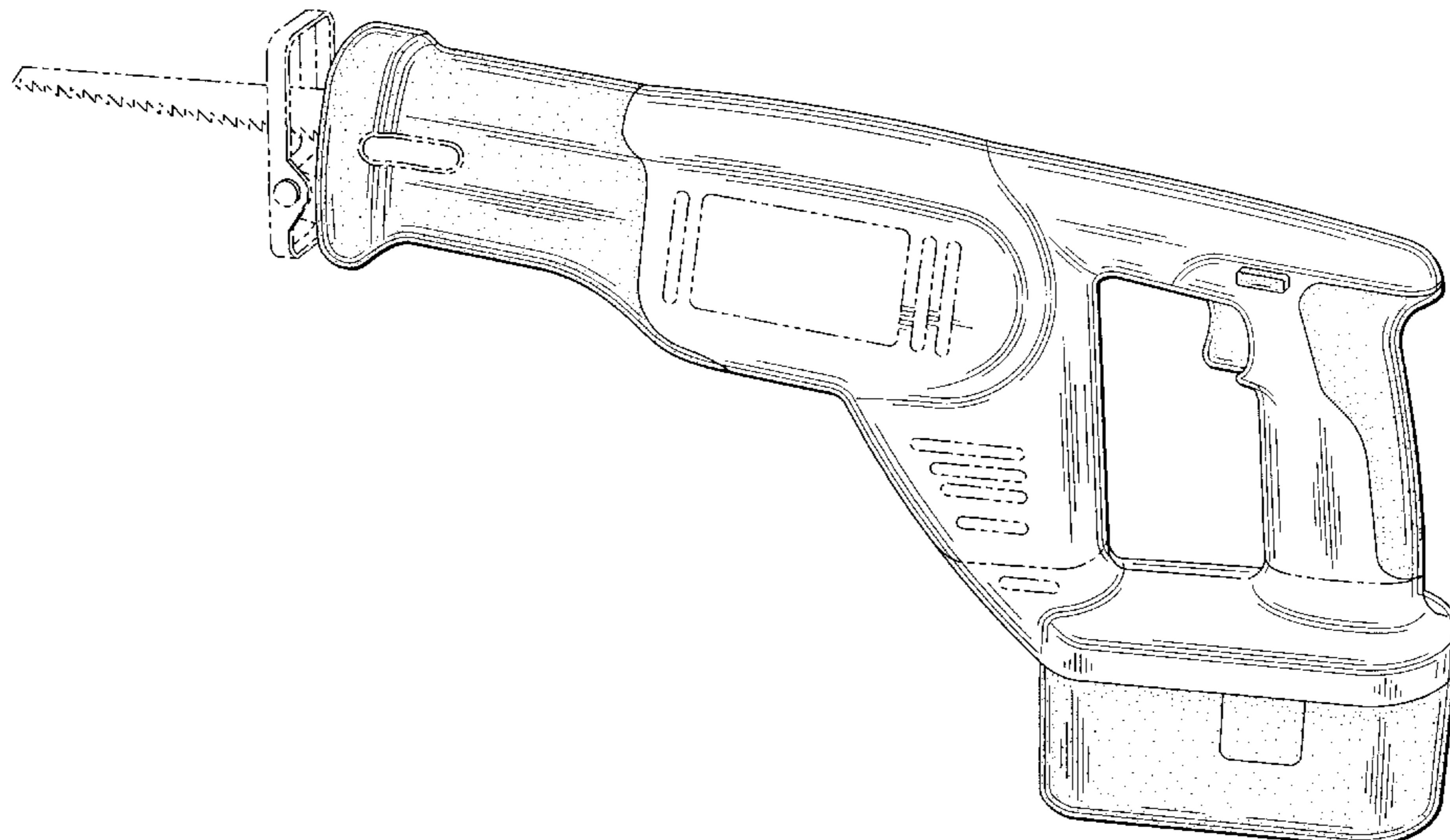
The ornamental design for a cordless reciprocating saw, as shown and described.

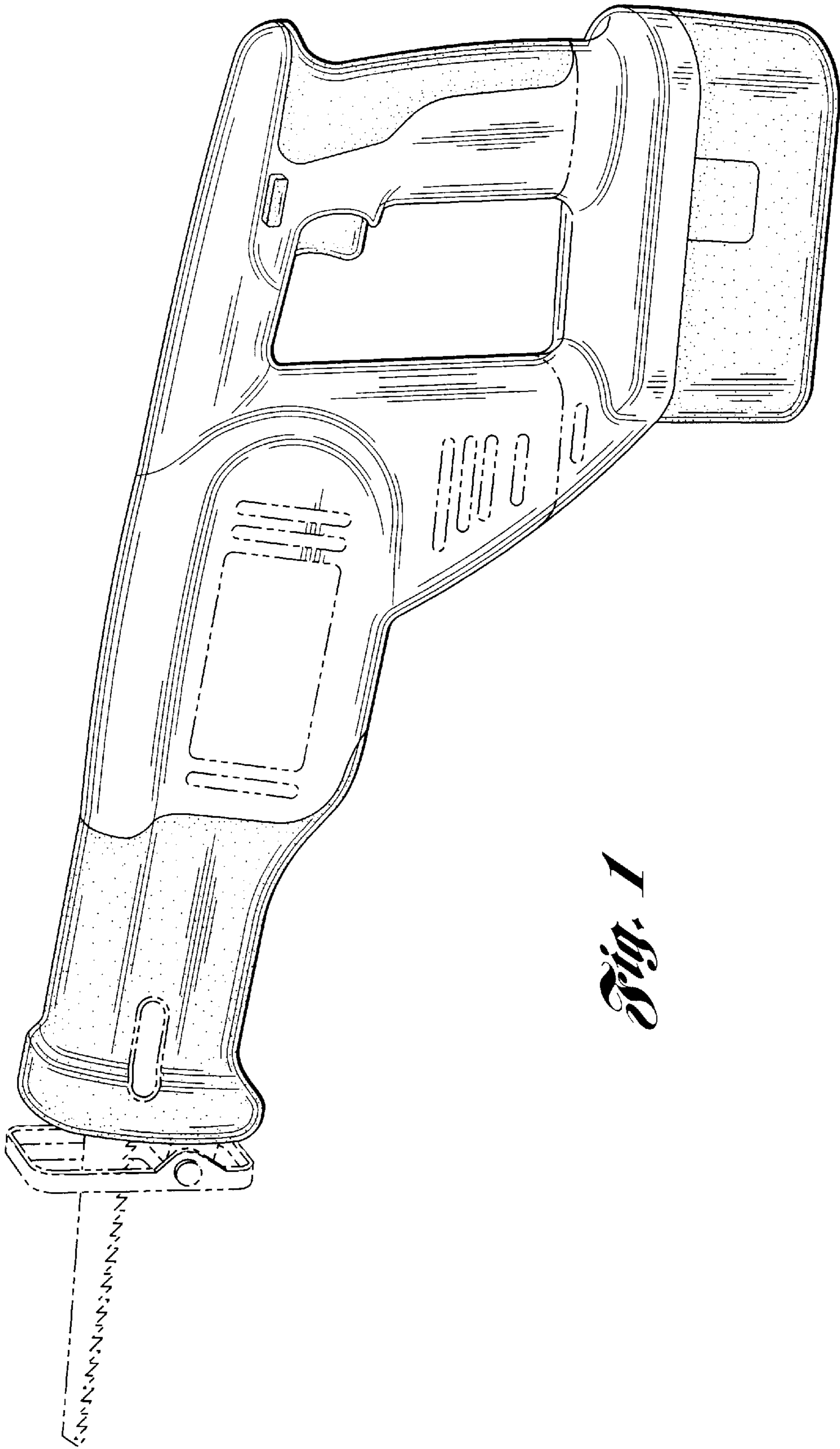
**DESCRIPTION**

FIG. 1 is a perspective view of a cordless reciprocating saw; FIG. 2 is a left side elevational view thereof; FIG. 3 is a top plan view thereof; FIG. 4 is a right side elevational view thereof; FIG. 5 is a bottom plan view thereof; FIG. 6 is a front elevational view thereof; and, FIG. 7 is a rear elevational view thereof of the present invention.

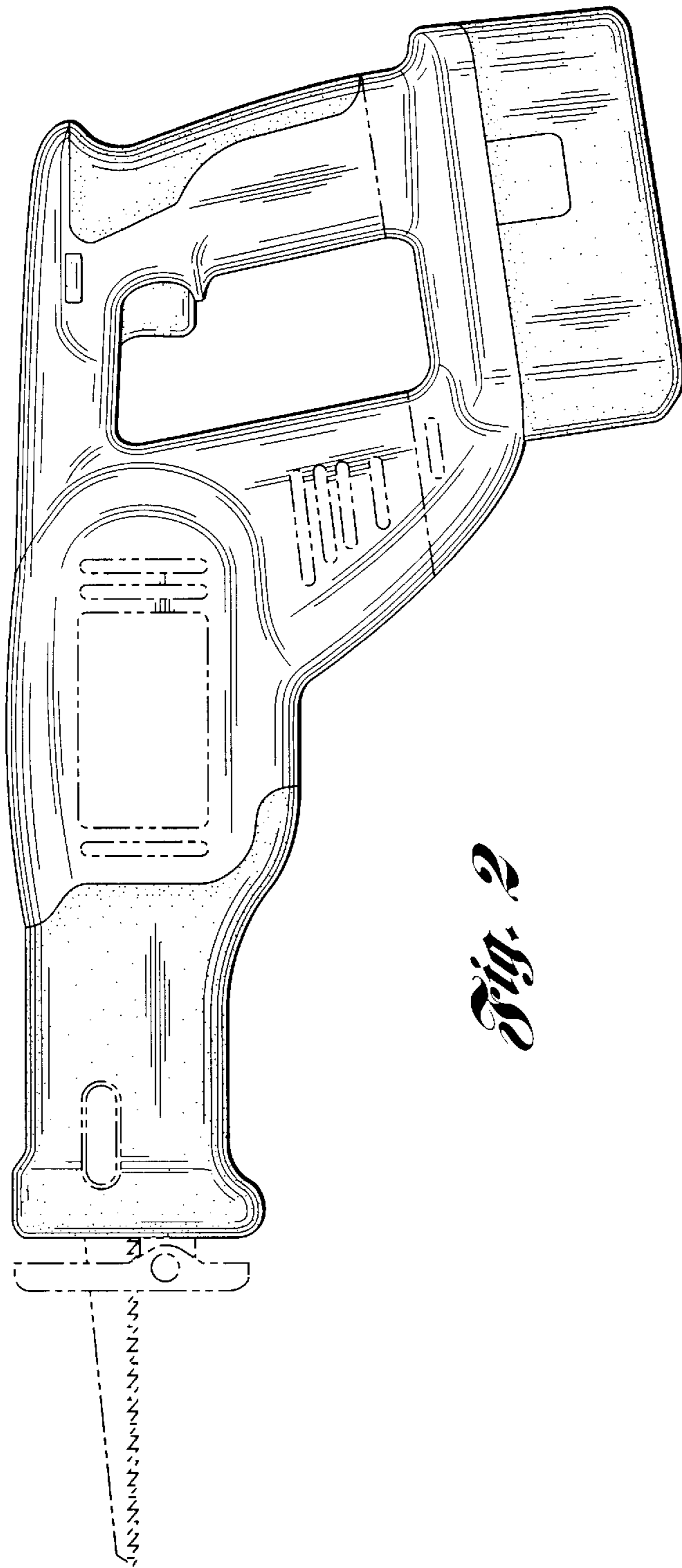
The broken lines showing environment in the drawing are for illustrative purposes only and form no part of the claimed design.

**1 Claim, 4 Drawing Sheets**

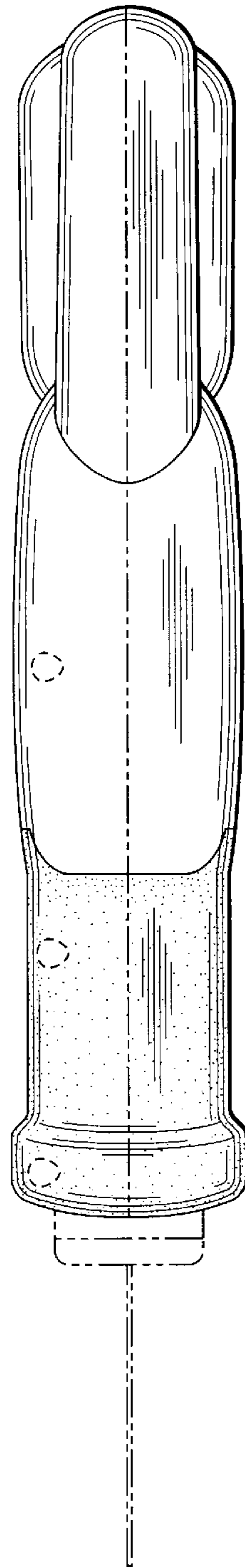




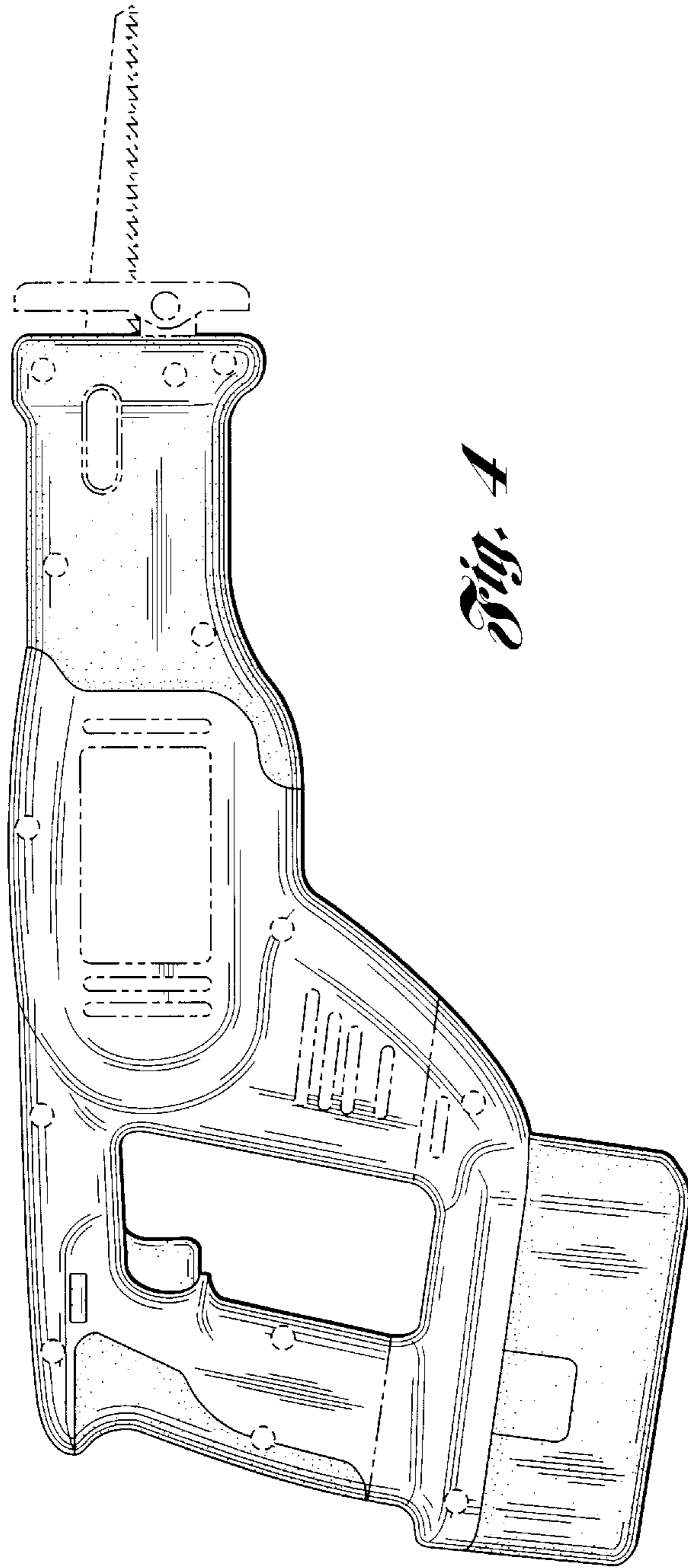
*Fig. 1*



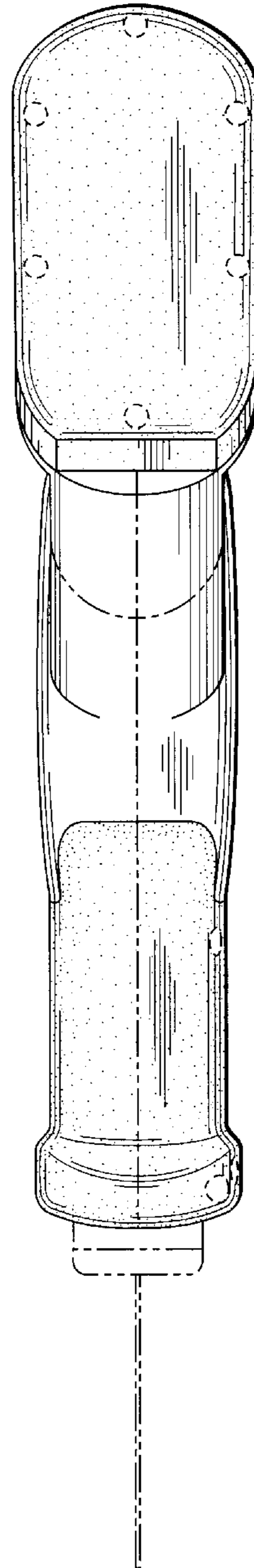
*Fig. 2*



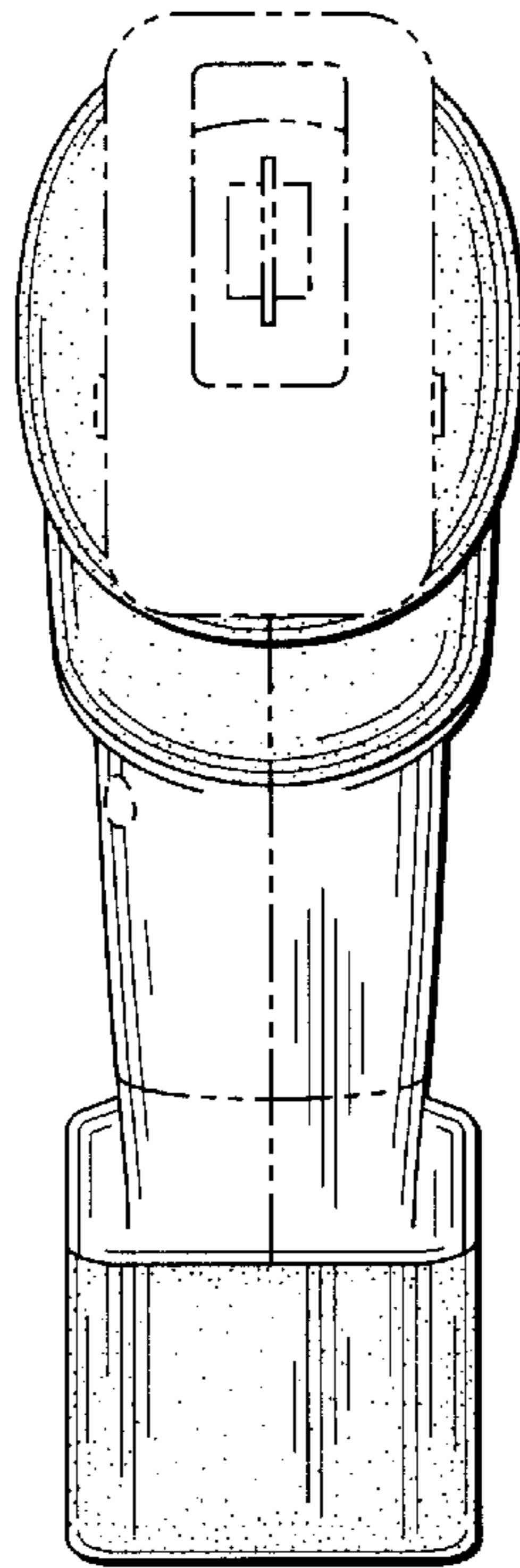
*Fig. 3*



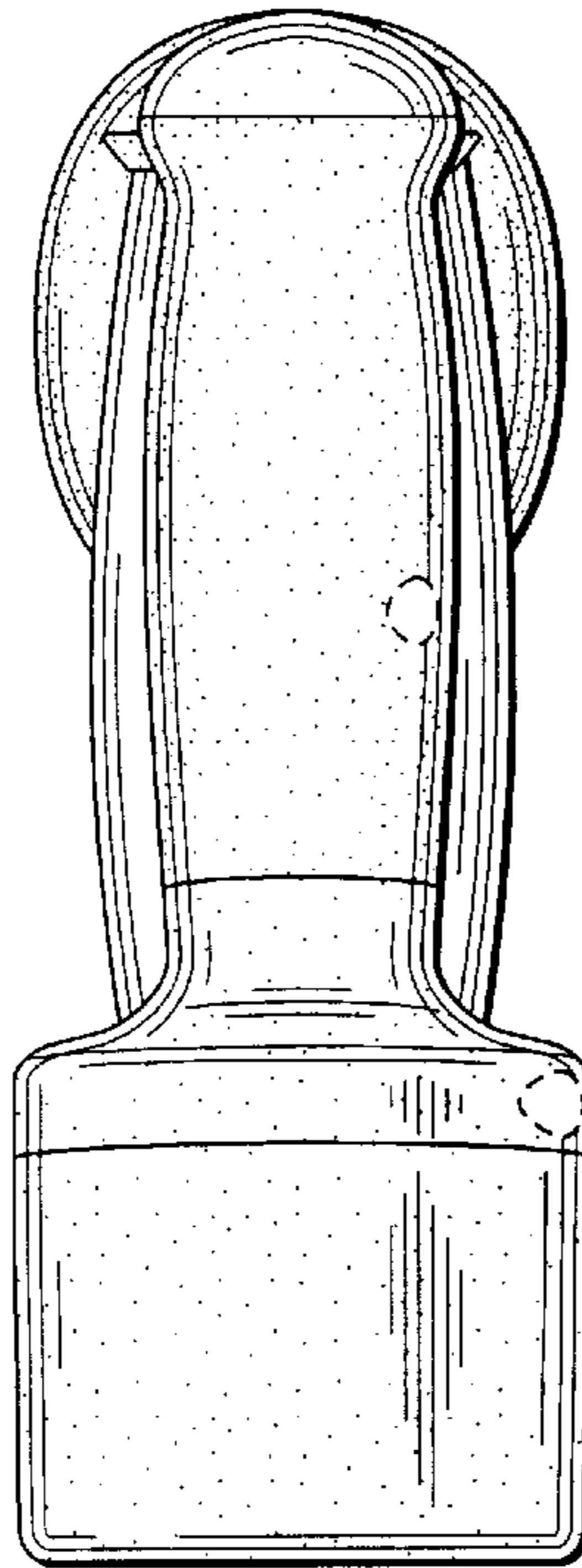
*Fig. 4*



*Fig. 5*



*Fig. 6*



*Fig. 7*