



US00D474086S

(12) **United States Design Patent**
Heun

(10) **Patent No.:** **US D474,086 S**

(45) **Date of Patent:** **** May 6, 2003**

(54) **ELECTRIC DRIVER FOR SCREW OR THE LIKE**

D423,897 S * 5/2000 Cooper D8/61
6,273,200 B1 * 8/2001 Smith et al. 173/216
6,321,856 B1 * 11/2001 Alsrue 173/216

(75) Inventor: **Ping Hay Heun**, Aberdeen (HK)

* cited by examiner

(73) Assignee: **Choon Nang Electrical Appliance Mfy., Ltd.**, Aberdeen (HK)

Primary Examiner—Doris V. Coles

Assistant Examiner—Elizabeth A. Albert

(**) Term: **14 Years**

(74) *Attorney, Agent, or Firm*—Leydig, Voit & Mayer, Ltd.

(21) Appl. No.: **29/158,334**

(57) **CLAIM**

(22) Filed: **Apr. 4, 2002**

The ornamental design for an electric driver for screw or the like, as shown and described.

(30) **Foreign Application Priority Data**

DESCRIPTION

Jan. 31, 2002 (GB) 3001155

FIG. 1 is a front end, left side and top perspective view of an electric driver for screw or the like showing my new design;

(51) **LOC (7) Cl.** **08-04**

FIG. 2 is a rear end, right side and top perspective view thereof;

(52) **U.S. Cl.** **D8/61**

(58) **Field of Search** D8/25, 30, 61, D8/62, 82, DIG. 7; 81/57.11, 57.12, 57.13, 57.14, 57.29, 57.31, 57.39, 57.42, 63.1, 177.1, 177.4, 429, 469, 474, 54; 173/169, 170, 182, 217, 216; 310/47, 50; 362/119, 120

FIG. 3 is a left side elevational view thereof;

FIG. 4 is a right side elevational view thereof;

FIG. 5 is a top plan view thereof;

FIG. 6 is a bottom plan view thereof;

FIG. 7 is a front end elevational view thereof;

FIG. 8 is a rear end elevational view thereof;

FIG. 9 is a front end, left side and top perspective view of the article with a part thereof opened; and,

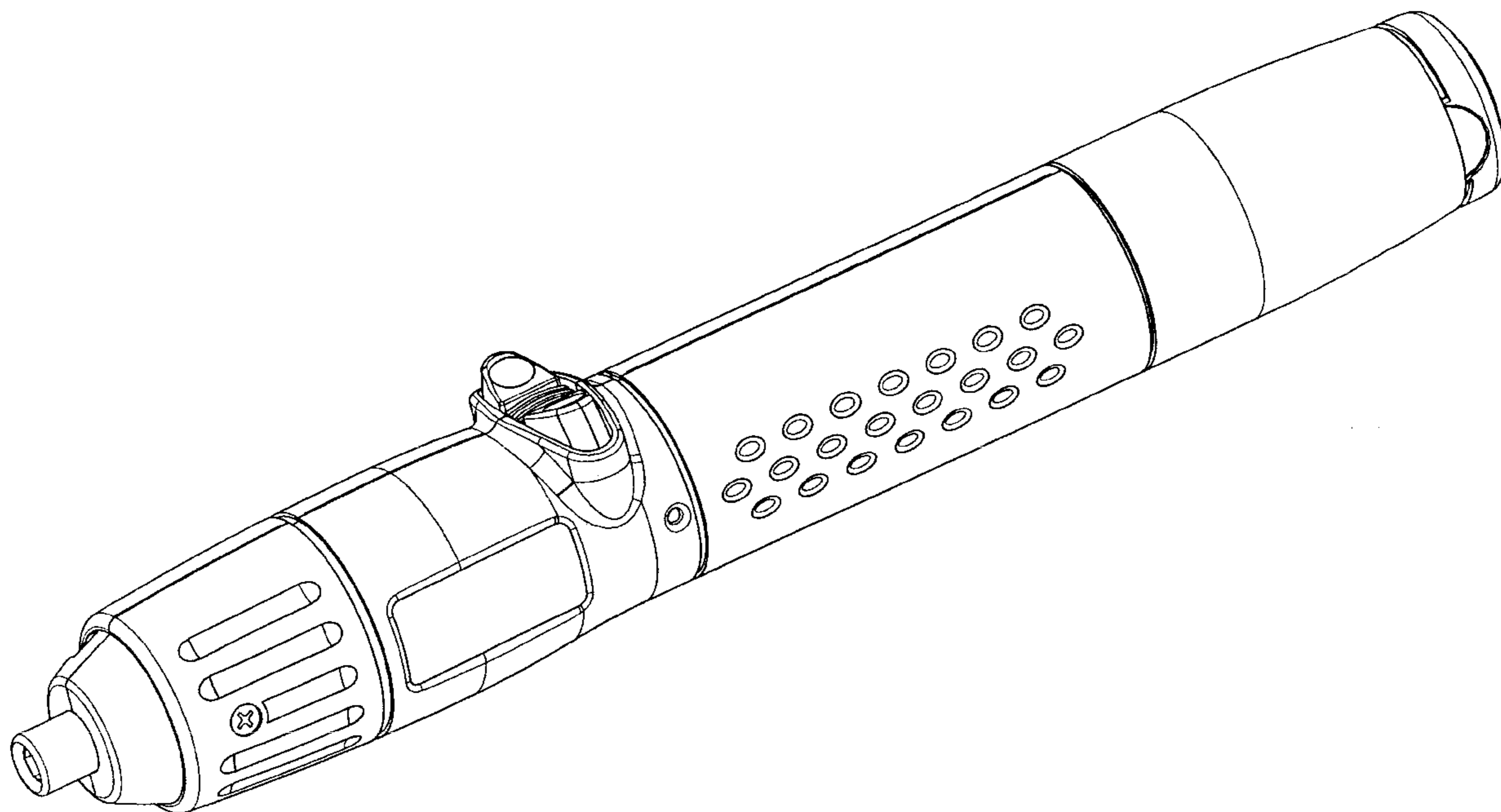
FIG. 10 is a rear end, right side and top perspective view of the article with a part thereof opened.

(56) **References Cited**

U.S. PATENT DOCUMENTS

5,406,866 A * 4/1995 Badiali 81/57.31
5,550,416 A * 8/1996 Fanchang et al. 173/216
D391,820 S * 3/1998 Bunyea D8/61

1 Claim, 9 Drawing Sheets



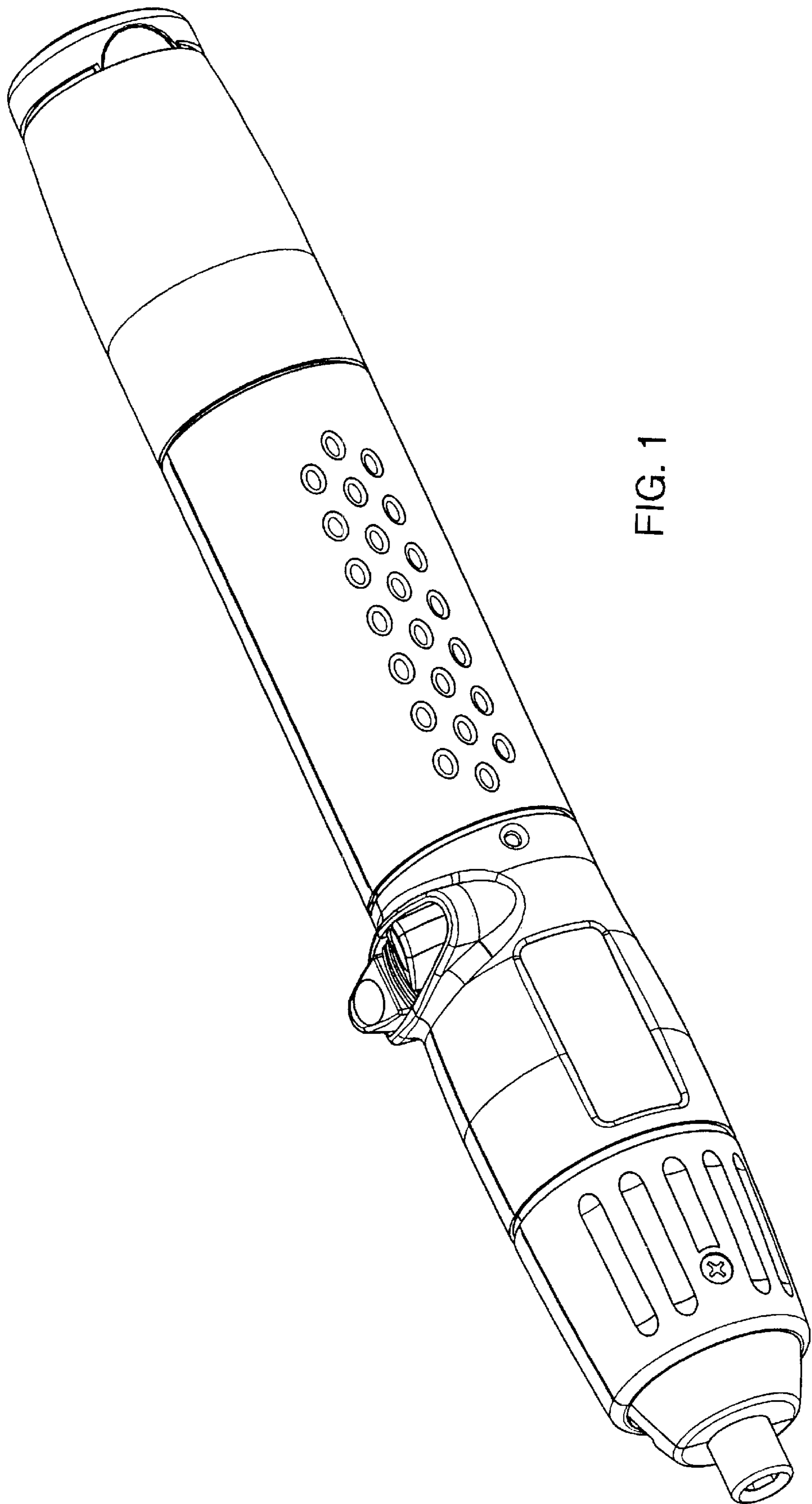


FIG. 1

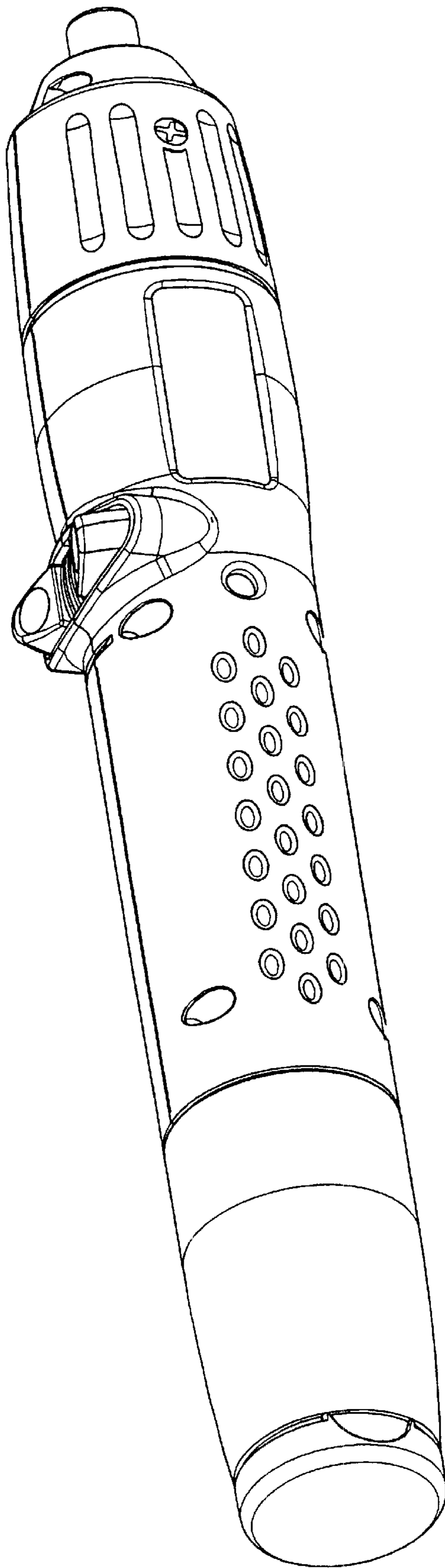


FIG. 2

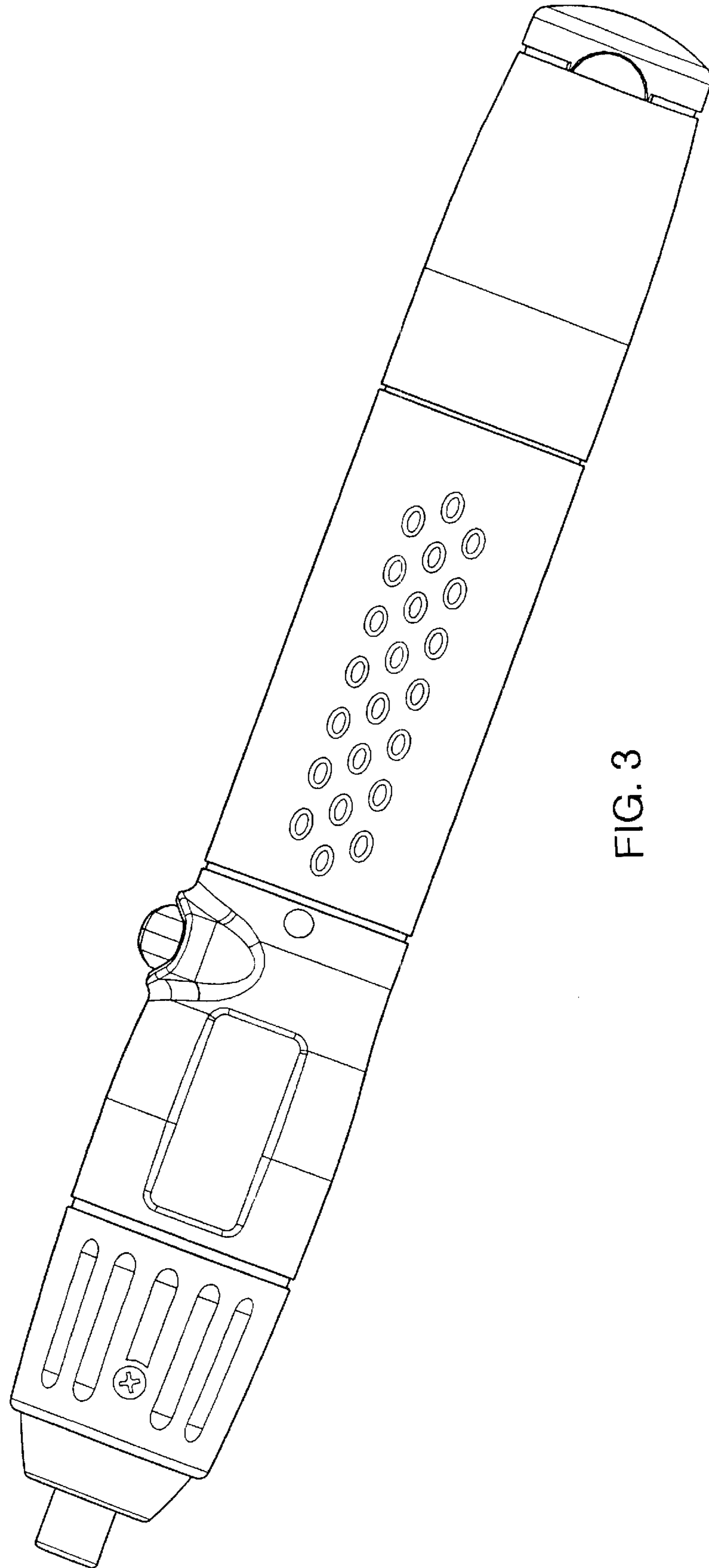


FIG. 3

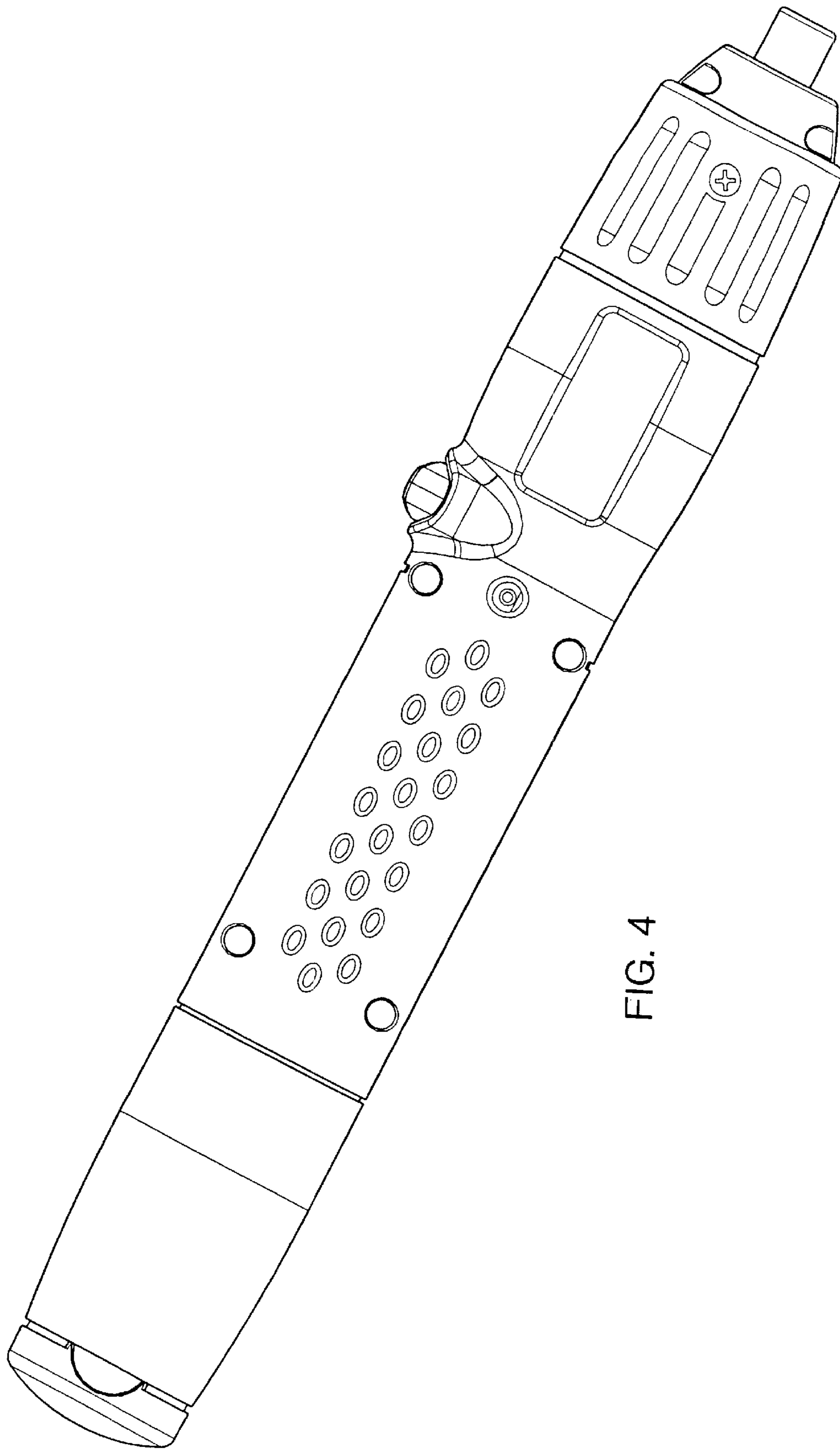


FIG. 4

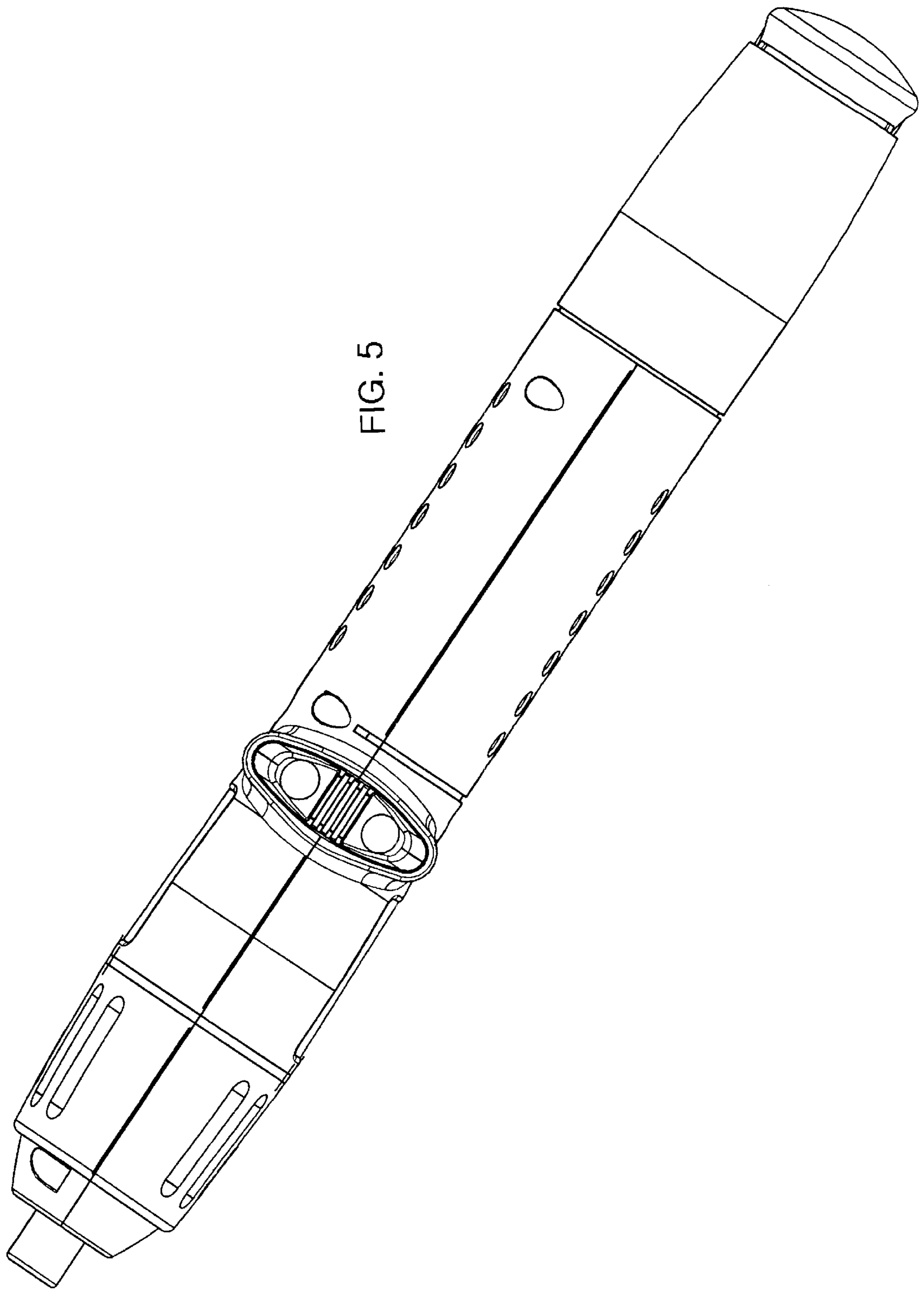


FIG. 5

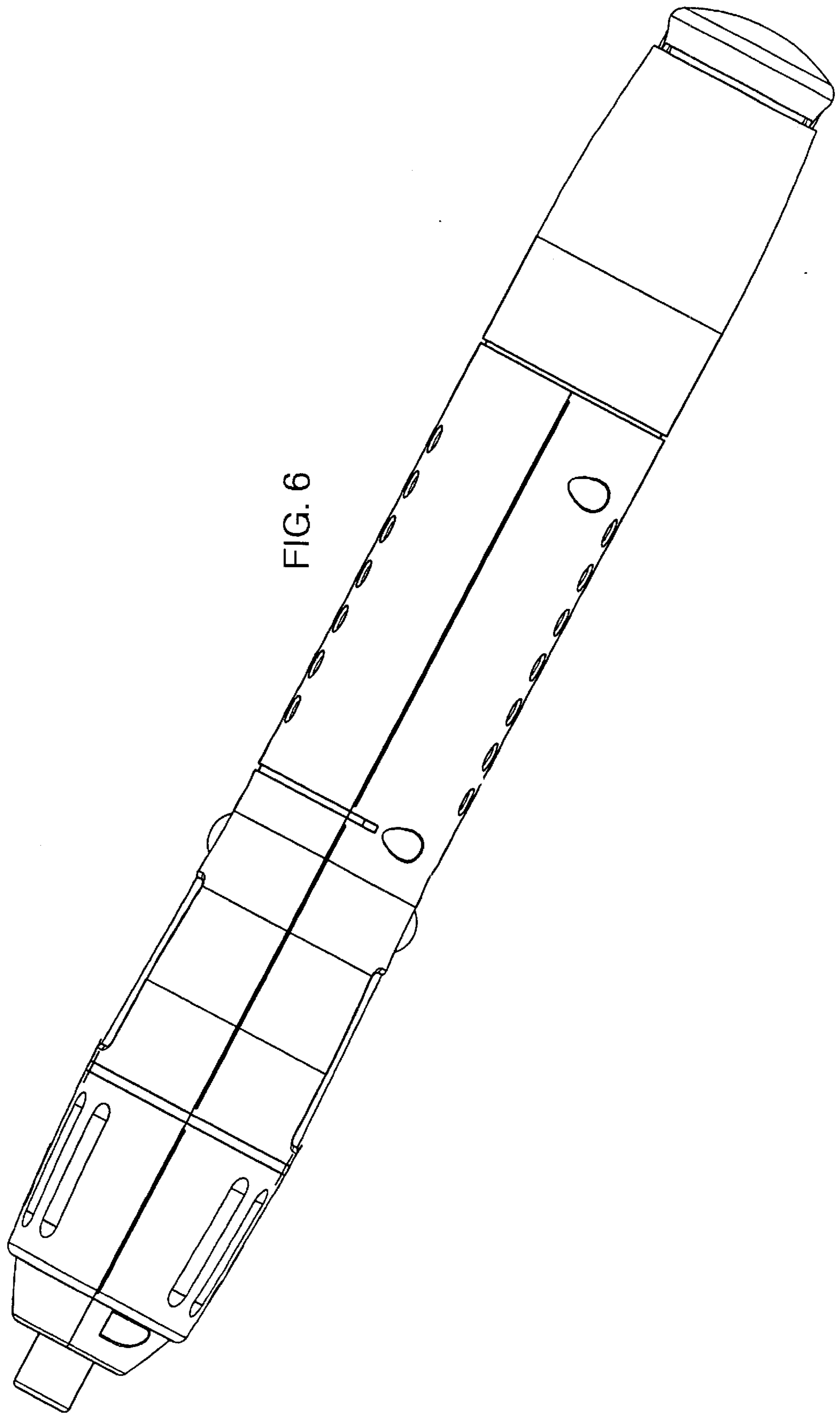


FIG. 6

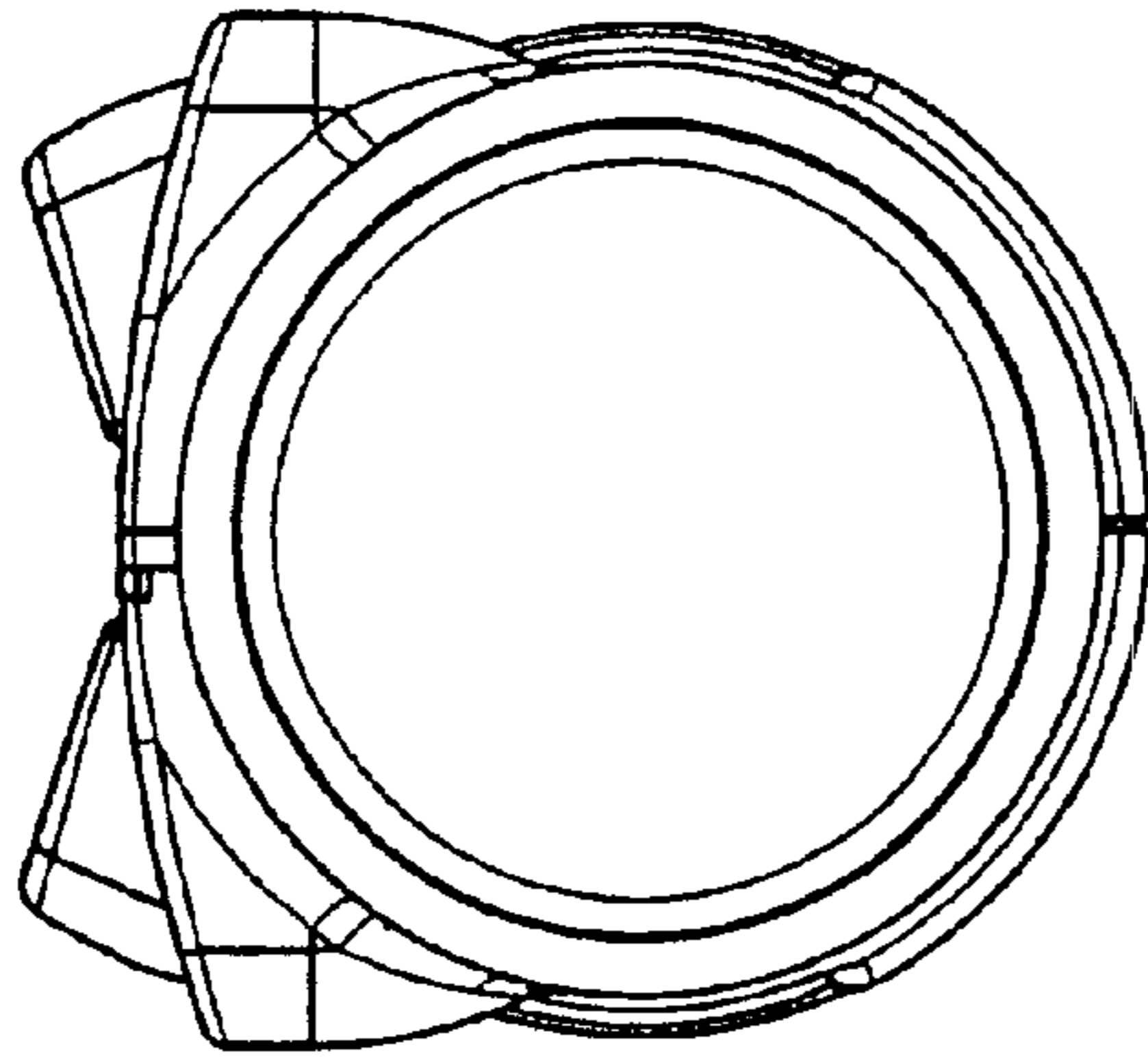


FIG. 8

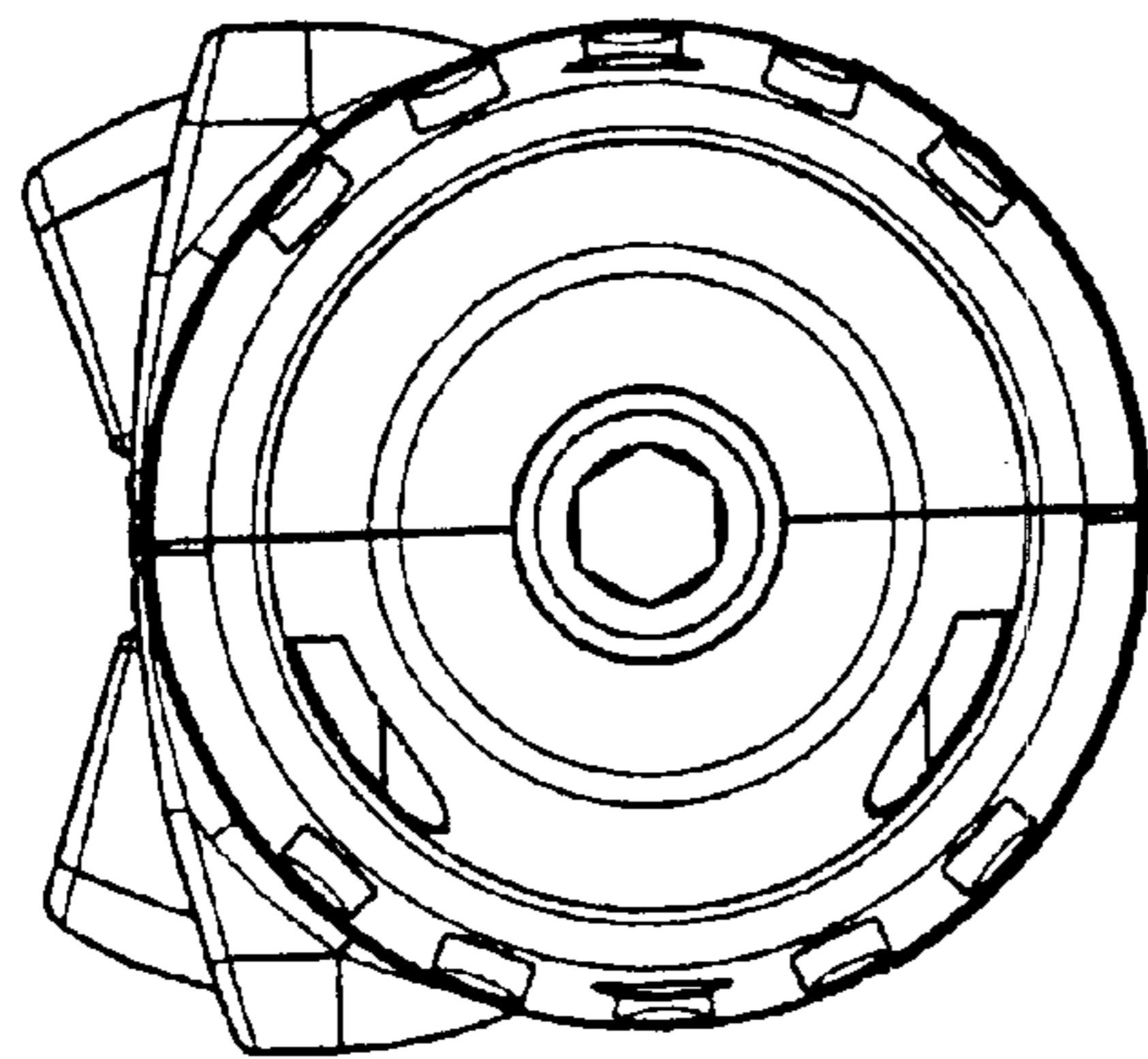


FIG. 7

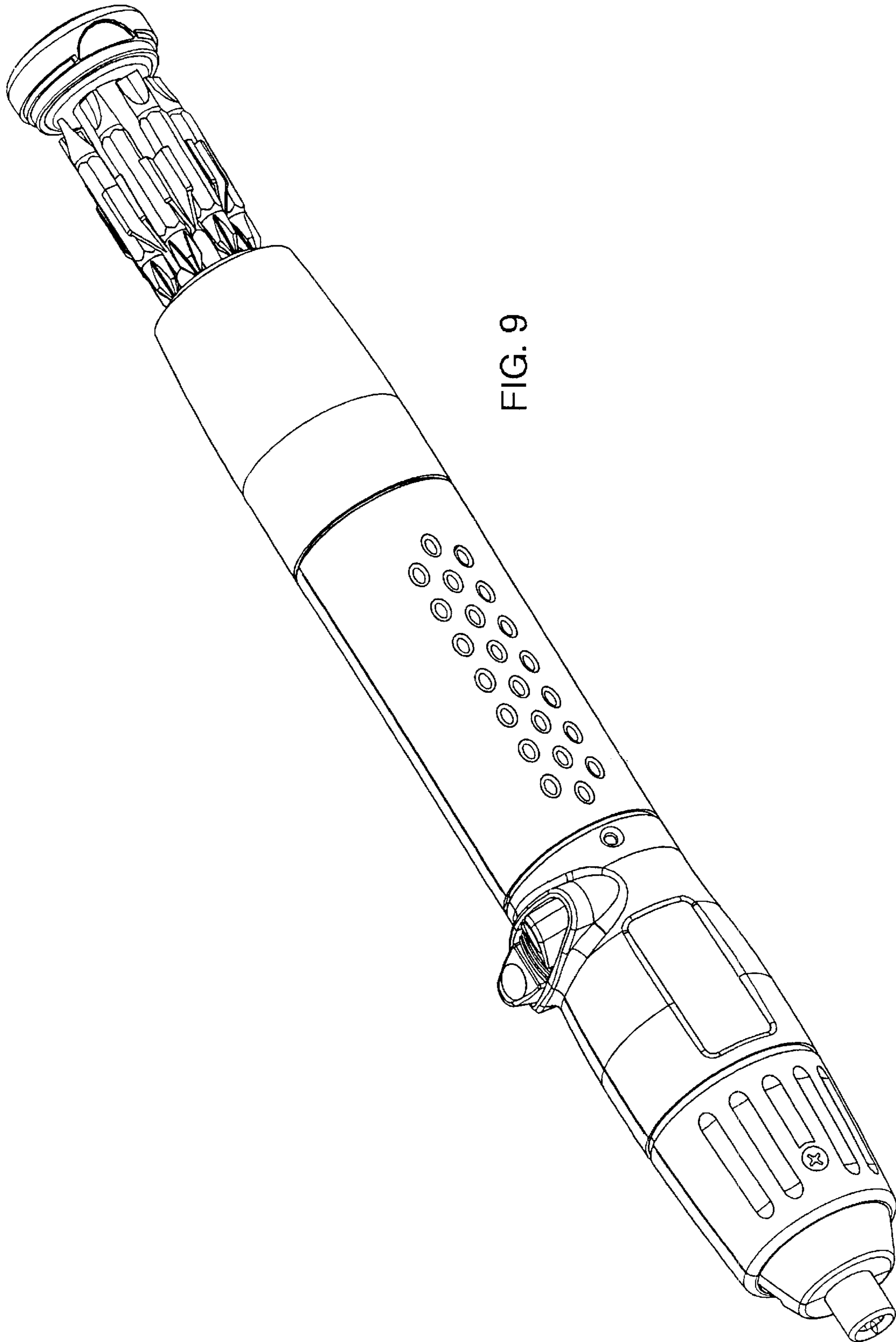


FIG. 9

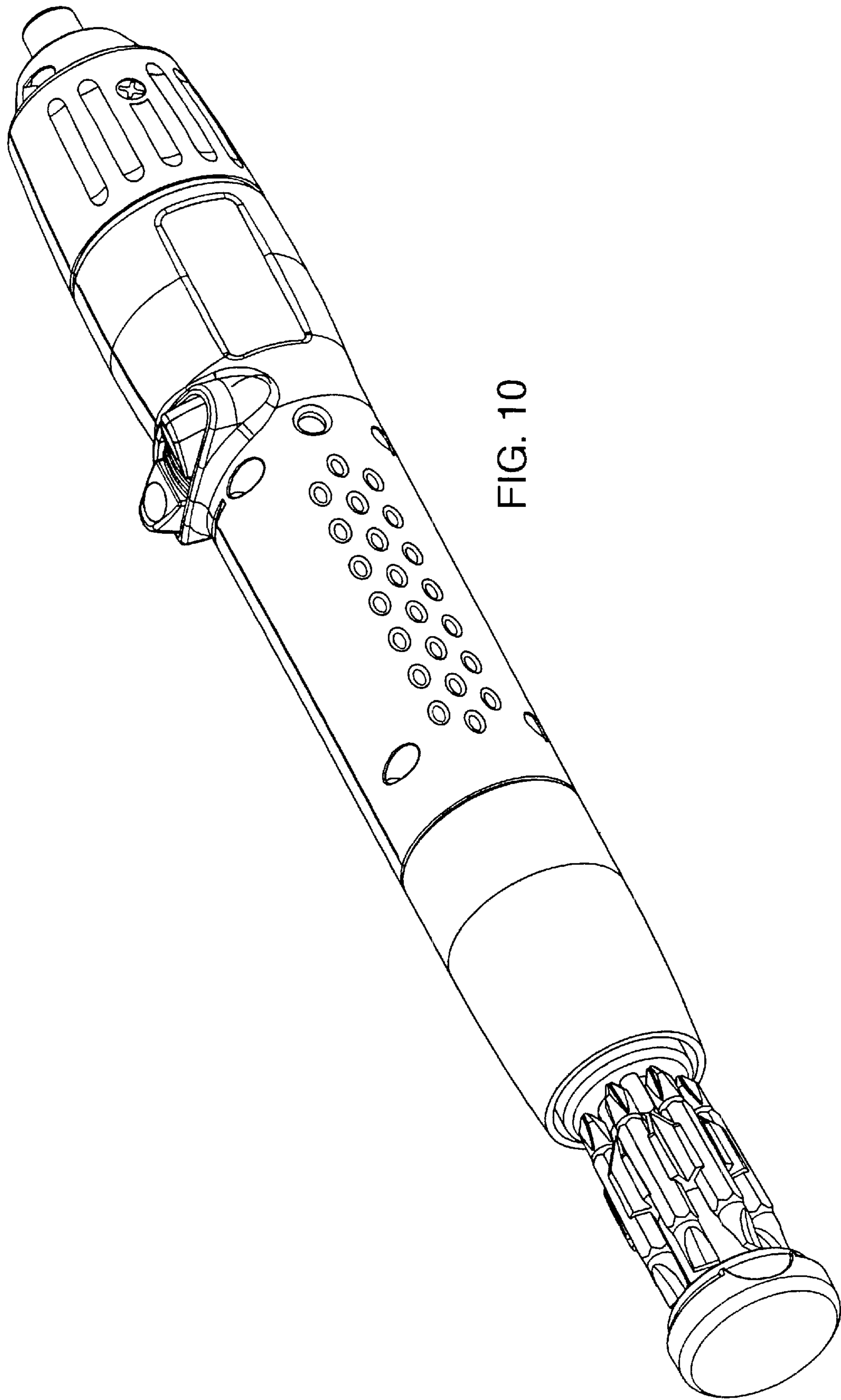


FIG. 10