



US00D474084S

(12) **United States Design Patent**
Yip

(10) **Patent No.:** **US D474,084 S**

(45) **Date of Patent:** **** May 6, 2003**

(54) **BOTTLE OPENER**

(76) **Inventor:** **Chung Lun Yip**, 3rd Floor, Block
A&C, King Yip Factory Building, 59
King Yip Street, Kwun Tong, Kowloon
(HK)

(**) **Term:** **14 Years**

(21) **Appl. No.:** **29/164,069**

(22) **Filed:** **Jul. 17, 2002**

(51) **LOC (7) Cl.** **07-99**

(52) **U.S. Cl.** **D8/40**

(58) **Field of Search** D8/33-43, 18,
D8/19; 30/400-443; 81/3.07-3.49; 7/151-156;
D3/208, 211

(56) **References Cited**

U.S. PATENT DOCUMENTS

844,396	A	*	2/1907	Pfab	81/3.2
889,556	A	*	6/1908	Stephens	7/155 X
D89,308	S	*	2/1933	Rettich	D8/38
2,164,191	A	*	6/1939	Knudsen	81/3.09
D145,245	S	*	7/1946	De Lemos	D8/34
D146,833	S	*	5/1947	Peterson	D8/42
D148,810	S	*	2/1948	McDowell	D8/42
4,580,303	A	*	4/1986	Henshaw	7/155
D291,052	S	*	7/1987	Henshaw	D8/40
D302,233	S	*	7/1989	Barnett	D8/42
D307,102	S	*	4/1990	Desnoullez	D8/42
5,022,288	A	*	6/1991	Taktakian	81/3.4
D319,957	S	*	9/1991	Bergmeister	D8/42
5,079,975	A	*	1/1992	Spencer, Jr.	81/3.29 X
5,095,778	A	*	3/1992	Bocsi et al.	81/3.2

D327,615	S	*	7/1992	Fenner	D8/42
D334,326	S	*	3/1993	Detling	D8/40
D335,072	S	*	4/1993	Gourhant	D8/42
D339,969	S	*	10/1993	Gonyaw	D8/42
5,351,579	A	*	10/1994	Metz et al.	81/3.2
D404,987	S	*	2/1999	Larimer	D8/38
D417,827	S	*	12/1999	Gillman	D8/14
D421,206	S	*	2/2000	Dannenmuller	D8/42
D426,439	S	*	6/2000	Hames	D8/40
D428,567	S	*	7/2000	Harris	D8/33
6,145,411	A	*	11/2000	Chen	81/3.29
2001/0013500	A1	*	8/2001	Gilley et al.	81/3.45 X

* cited by examiner

Primary Examiner—Jeffrey Asch

(74) *Attorney, Agent, or Firm*—Salter & Michaelson

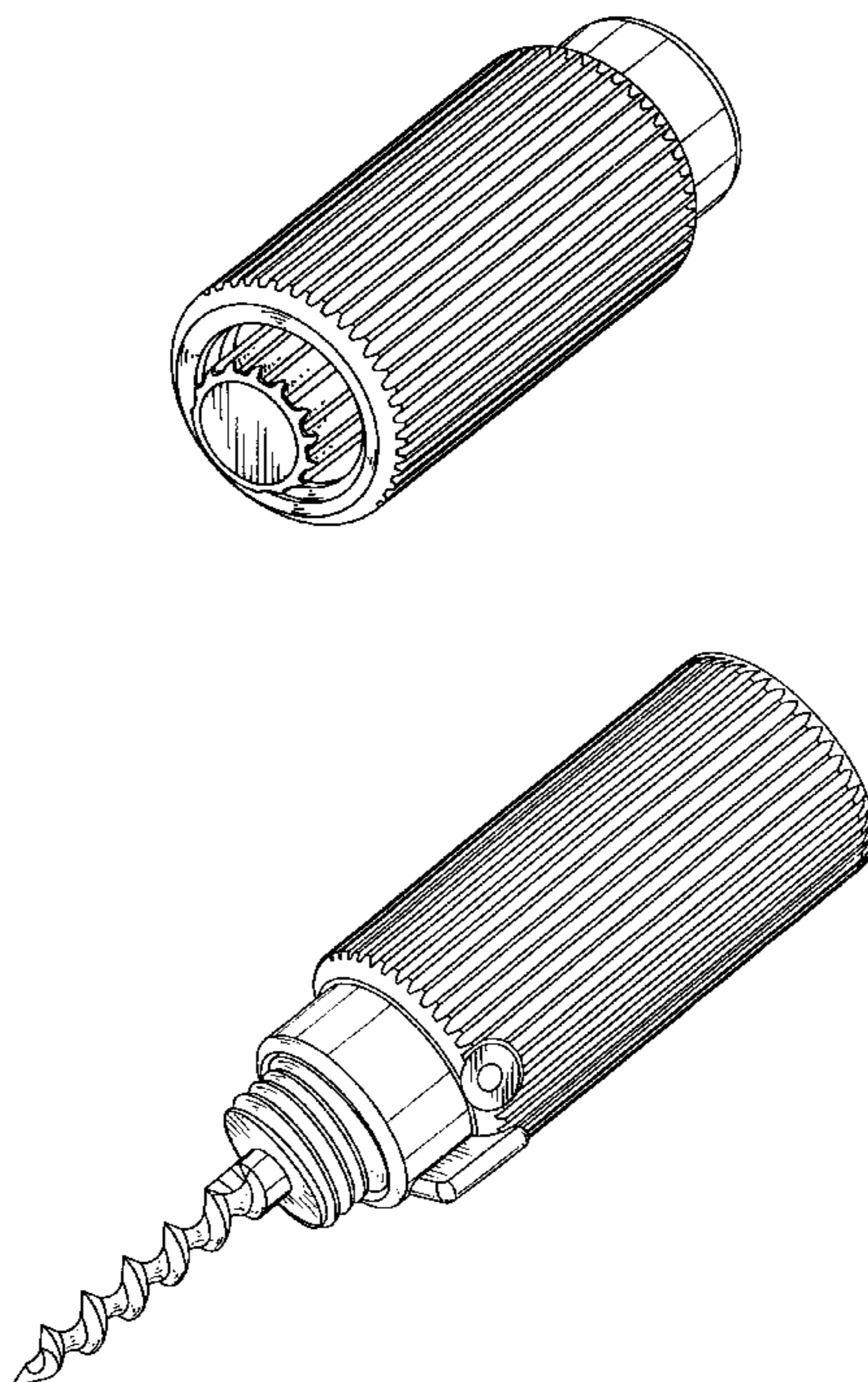
(57) **CLAIM**

The ornamental design for a bottle opener, as shown.

DESCRIPTION

FIG. 1 is a perspective view of a bottle opener from the right showing my new design;
 FIG. 2 is a perspective view of a bottle opener from the left showing my new design;
 FIG. 3 is a left side elevational view thereof;
 FIG. 4 is a right side elevational view thereof;
 FIG. 5 is a front elevational view thereof;
 FIG. 6 is a rear elevational view thereof;
 FIG. 7 is a top plan view thereof;
 FIG. 8 is a bottom plan view thereof; and,
 FIG. 9 is a perspective view from the right with a corkscrew extended.

1 Claim, 4 Drawing Sheets



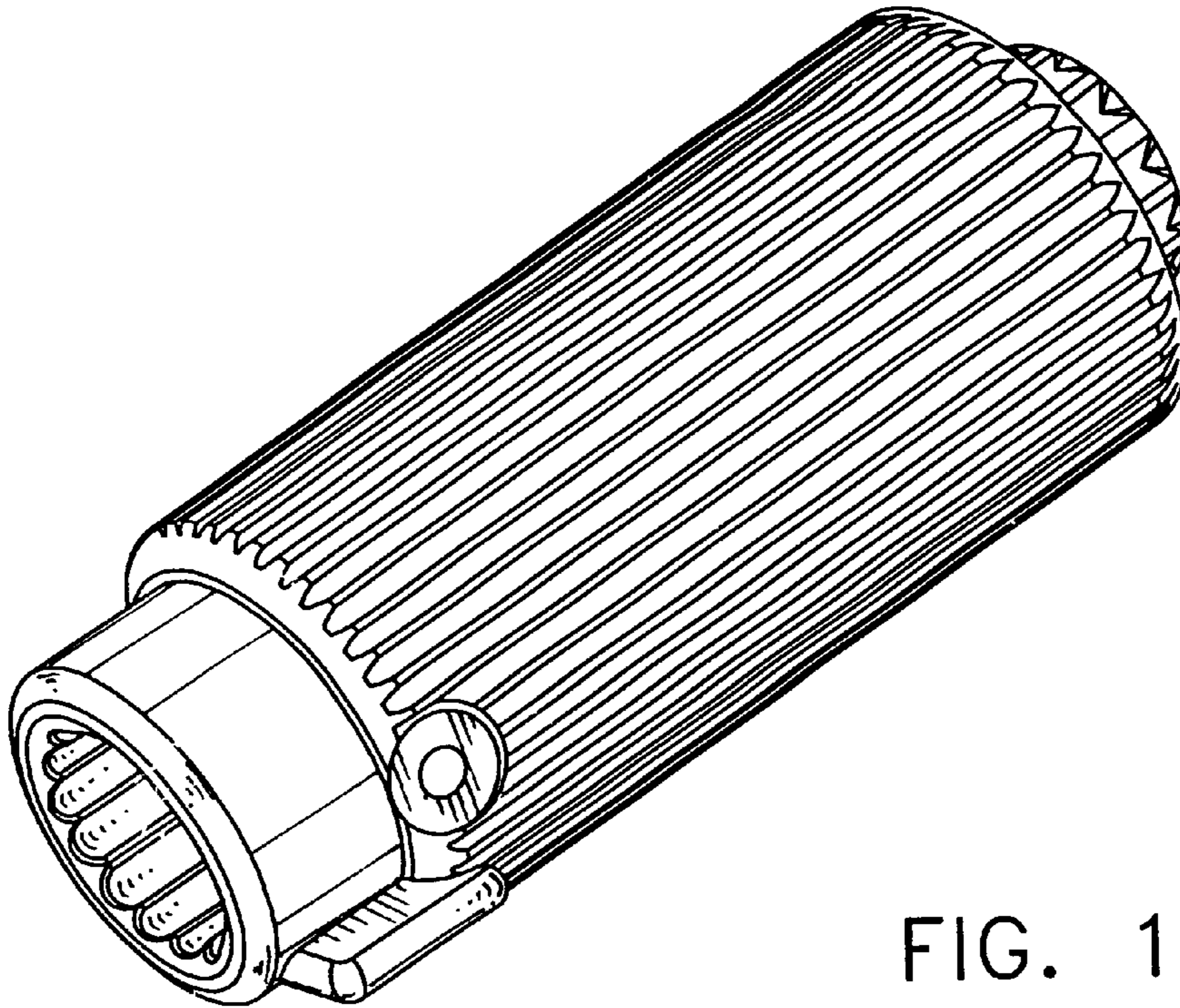


FIG. 1

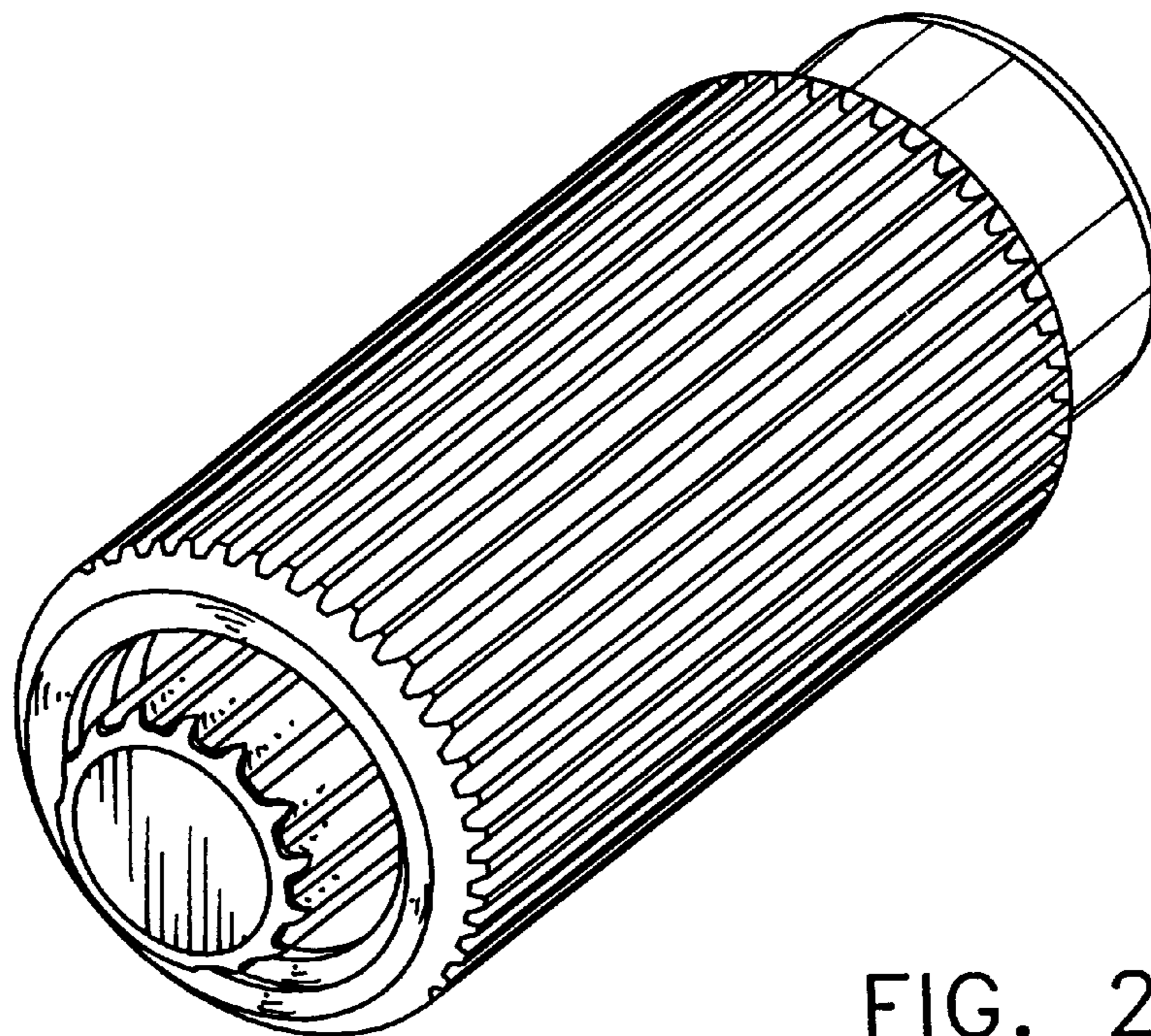


FIG. 2

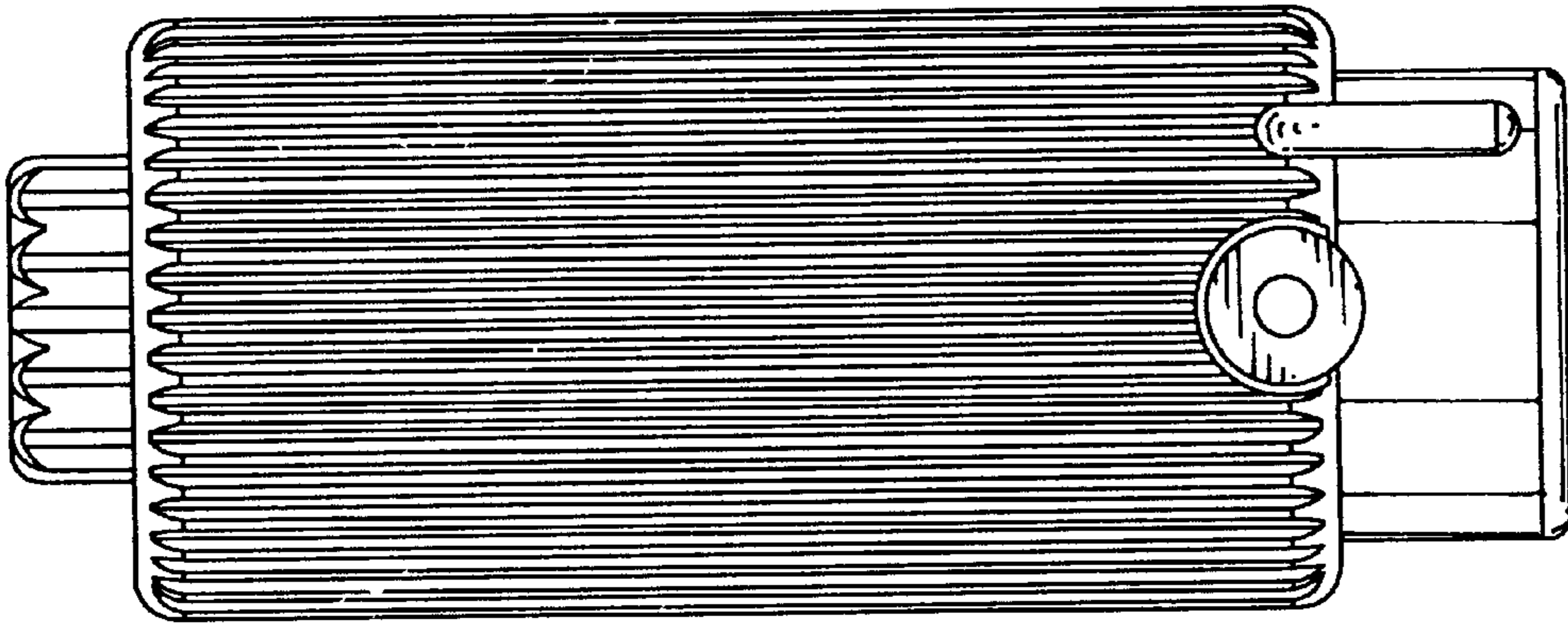


FIG. 3

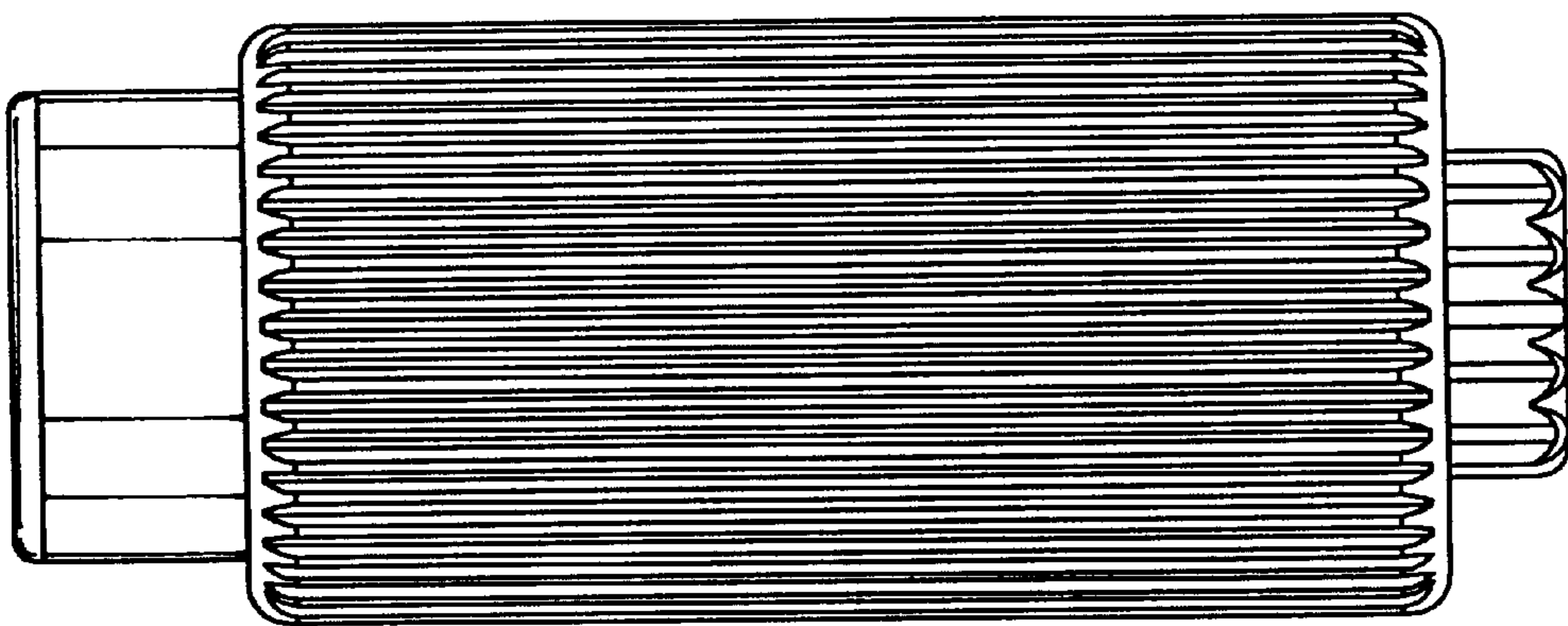


FIG. 4

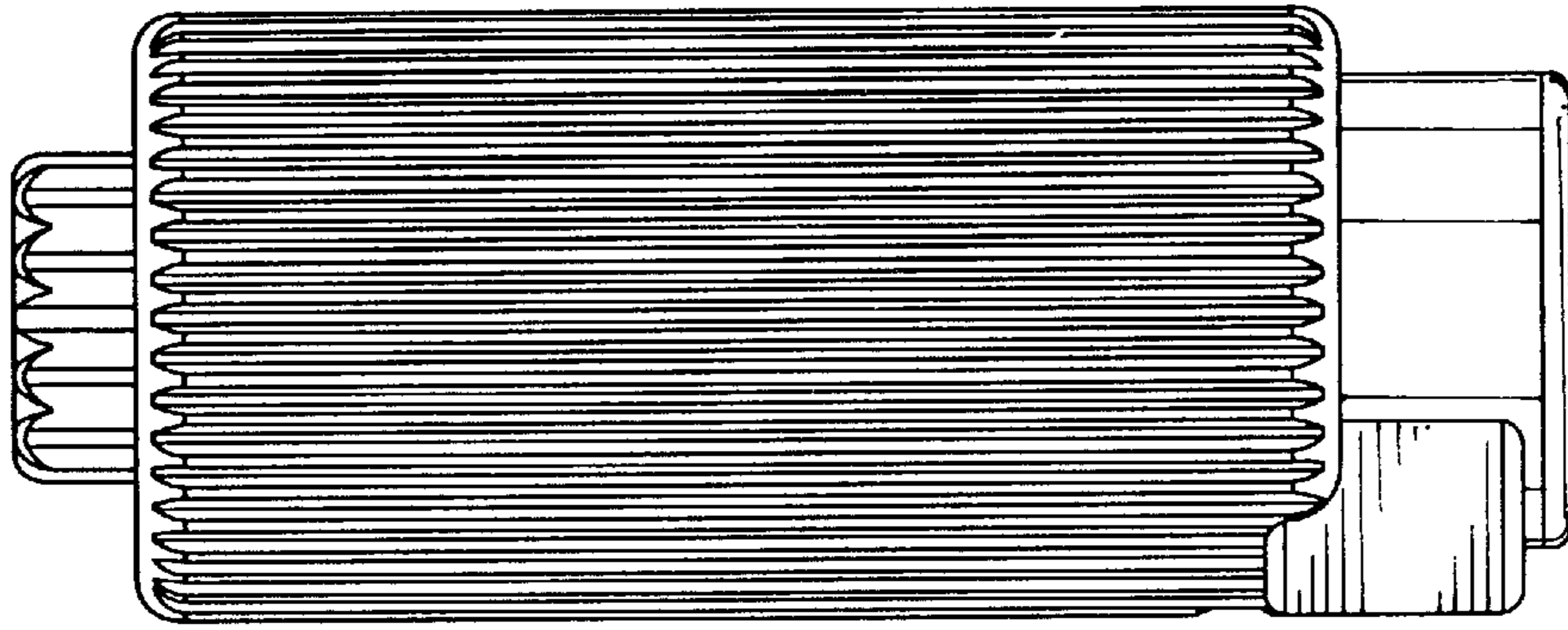


FIG. 5

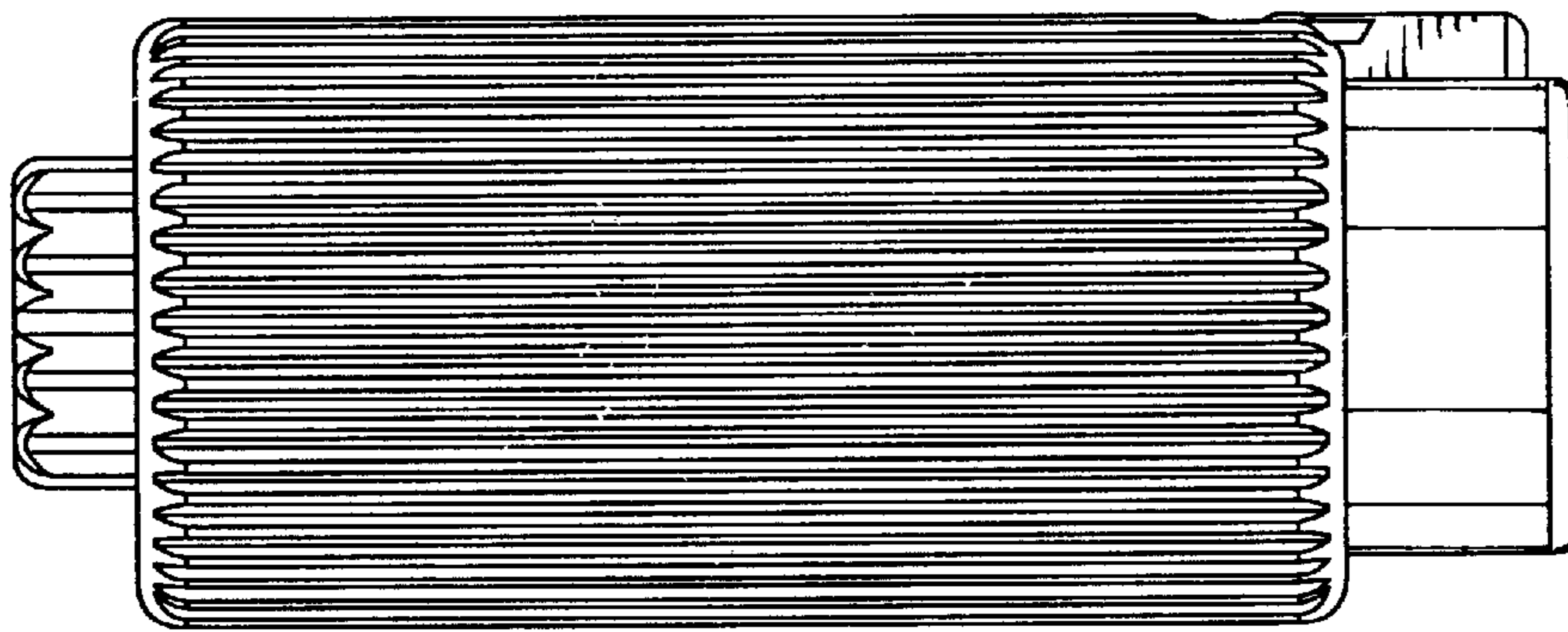


FIG. 6

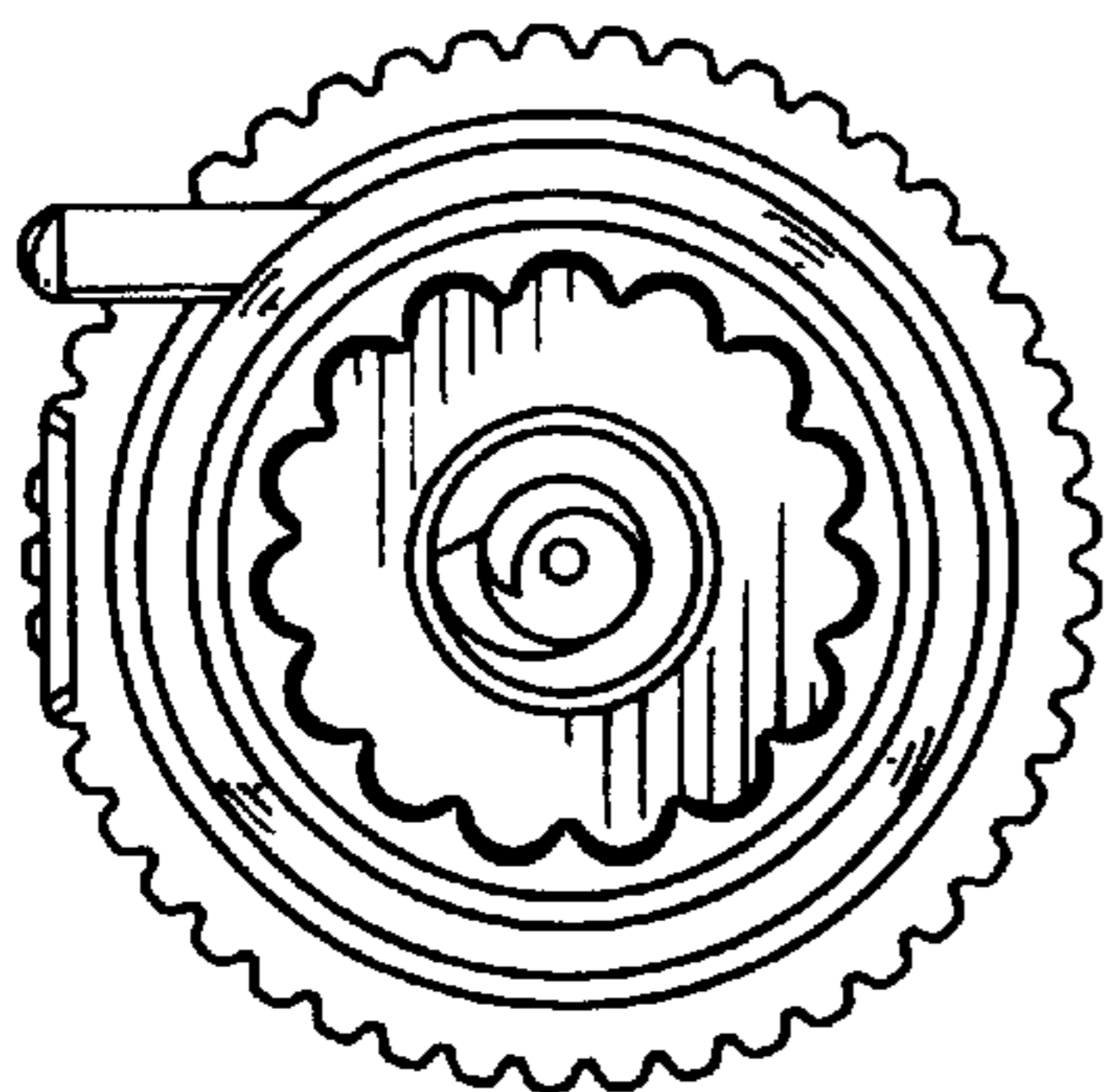


FIG. 7

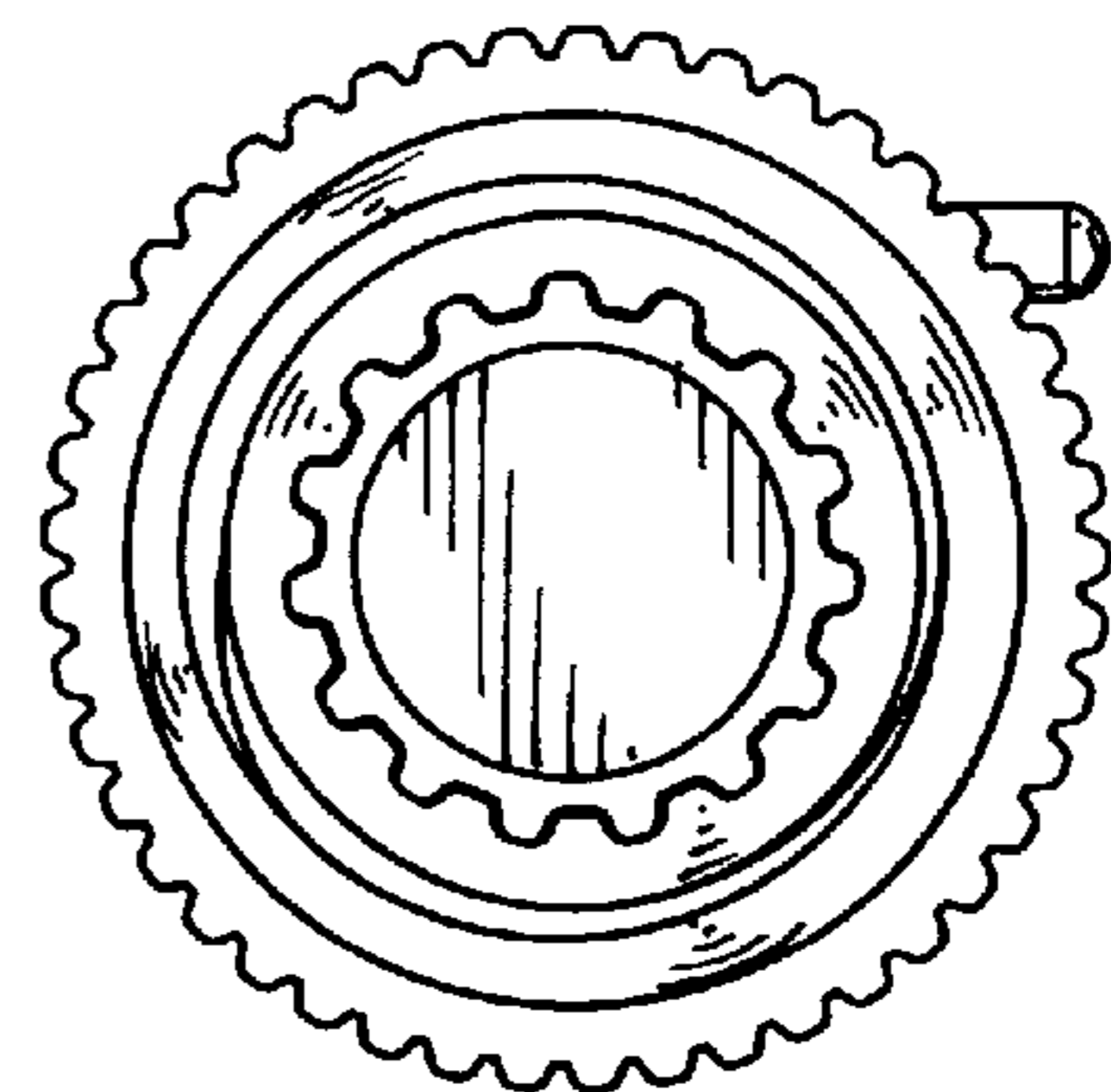


FIG. 8

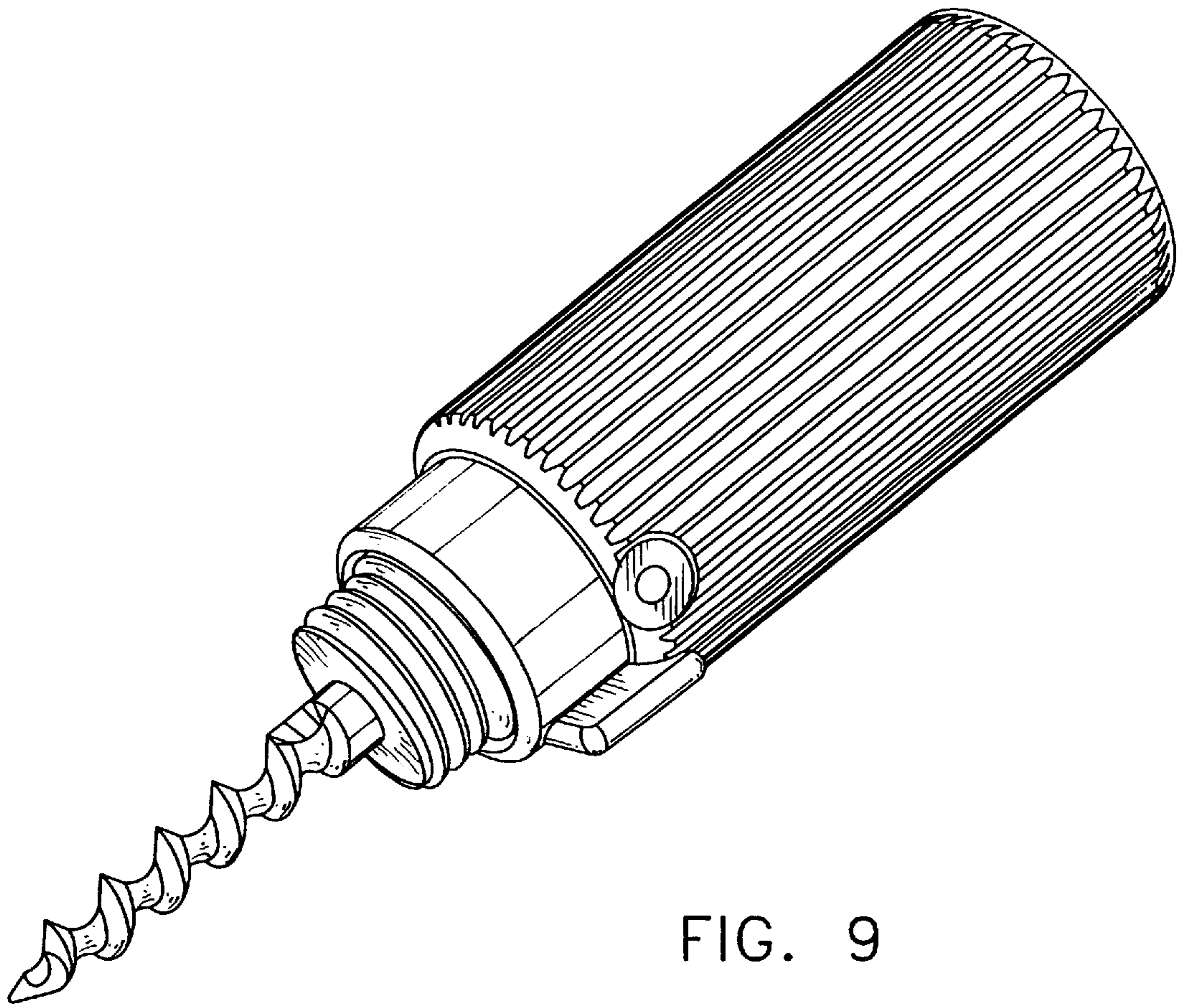


FIG. 9