



US00D474083S

(12) **United States Design Patent**  
**Lo**

(10) **Patent No.:** **US D474,083 S**

(45) **Date of Patent:** **\*\* May 6, 2003**

(54) **CAN OPENER**

(75) **Inventor:** **Yui-Ming Lo, Kowloon (CN)**

(73) **Assignee:** **Good Time Industries Co., Ltd.,  
Kowloon (HK)**

(\*\*) **Term:** **14 Years**

(21) **Appl. No.:** **29/166,287**

(22) **Filed:** **Aug. 23, 2002**

(51) **LOC (7) Cl.** ..... **07-99**

(52) **U.S. Cl.** ..... **D8/39**

(58) **Field of Search** ..... D8/33-43; 30/400-443;  
81/3.07-3.49; 7/151-156

(56) **References Cited**

**U.S. PATENT DOCUMENTS**

D143,647 S	*	1/1946	Chandler	.....	D8/39
2,556,766 A	*	6/1951	Mathieu	.....	30/418
2,592,934 A	*	4/1952	McLean	.....	30/426
D191,046 S	*	8/1961	Hvale	.....	D8/39
D226,348 S	*	2/1973	van der Kroft	.....	D8/39
4,125,941 A	*	11/1978	McKinley	.....	30/427
D253,391 S	*	11/1979	Dreyer	.....	D8/39
D266,979 S	*	11/1982	Steiner et al.	.....	D8/39
D269,150 S	*	5/1983	Schulein	.....	D8/39
D269,151 S	*	5/1983	Schulein	.....	D8/39
D282,521 S	*	2/1986	Steinko	.....	D8/39
D292,866 S	*	11/1987	Barnett	.....	D8/41
5,181,322 A	*	1/1993	Koo	.....	30/416

D362,165 S	*	9/1995	Wheeler	.....	D8/36
D362,379 S	*	9/1995	Tekaas	.....	D8/39
5,581,897 A	*	12/1996	Liebscher	.....	30/416
D403,217 S	*	12/1998	Usbeck	.....	D8/39
D405,332 S	*	2/1999	So	.....	D8/39
D409,888 S	*	5/1999	So	.....	D8/39
D458,819 S	*	6/2002	Levien	.....	D8/39

**OTHER PUBLICATIONS**

www.tabletools.com....Henckles Can Opener, visited site  
Nov. 29, 2002.\*

\* cited by examiner

*Primary Examiner*—Jeffrey Asch

(74) *Attorney, Agent, or Firm*—Alix, Yale & Ristas, LLP

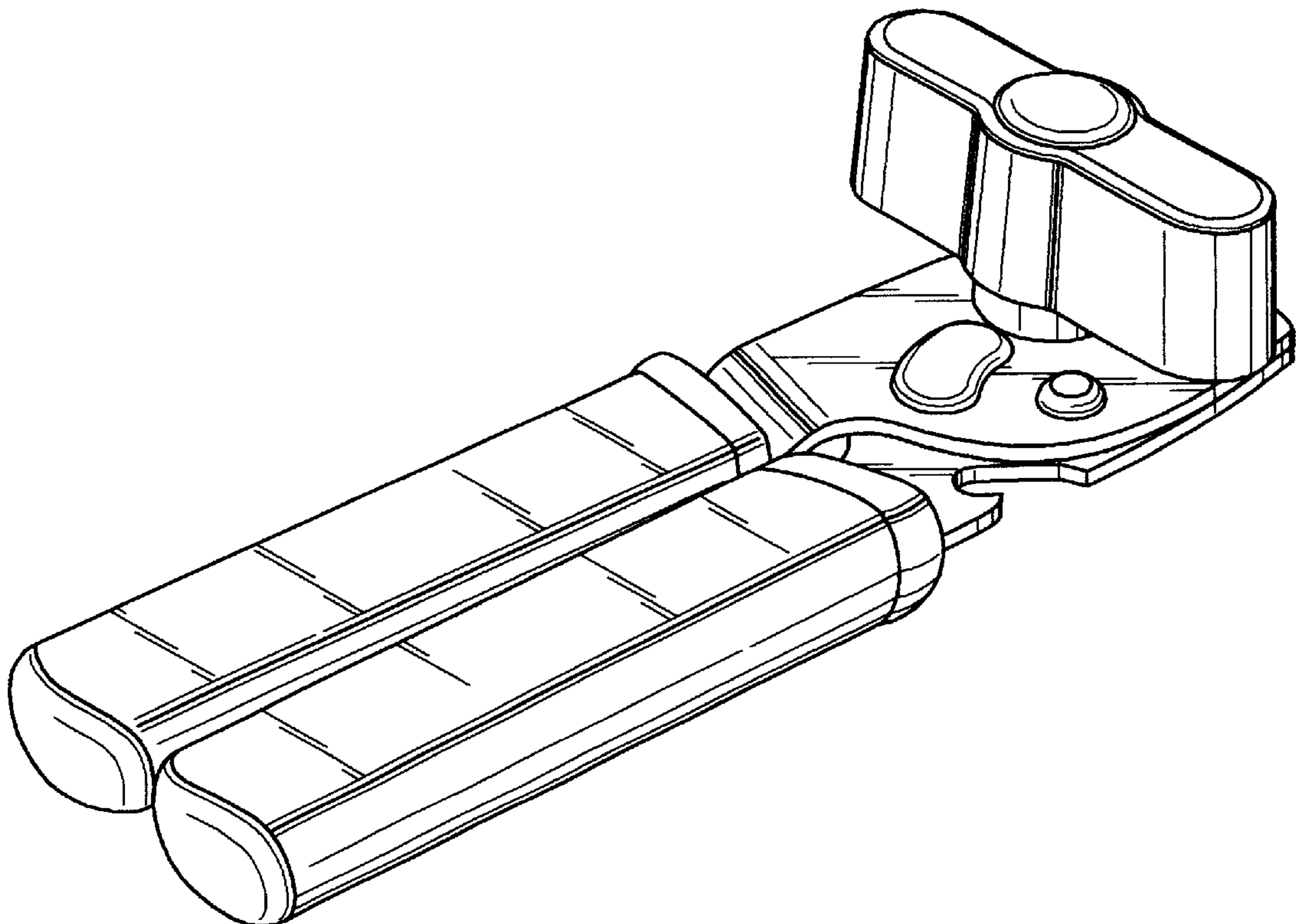
(57) **CLAIM**

The ornamental design for a can opener, as shown and  
described.

**DESCRIPTION**

FIG. 1 is a front perspective view of a can opener showing  
my new design;  
FIG. 2 is a front elevational view thereof;  
FIG. 3 is a rear elevational view thereof;  
FIG. 4 is a left side elevational view thereof;  
FIG. 5 is a right side elevational view thereof;  
FIG. 6 is a top plan thereof; and,  
FIG. 7 is a bottom plan view thereof.

**1 Claim, 4 Drawing Sheets**



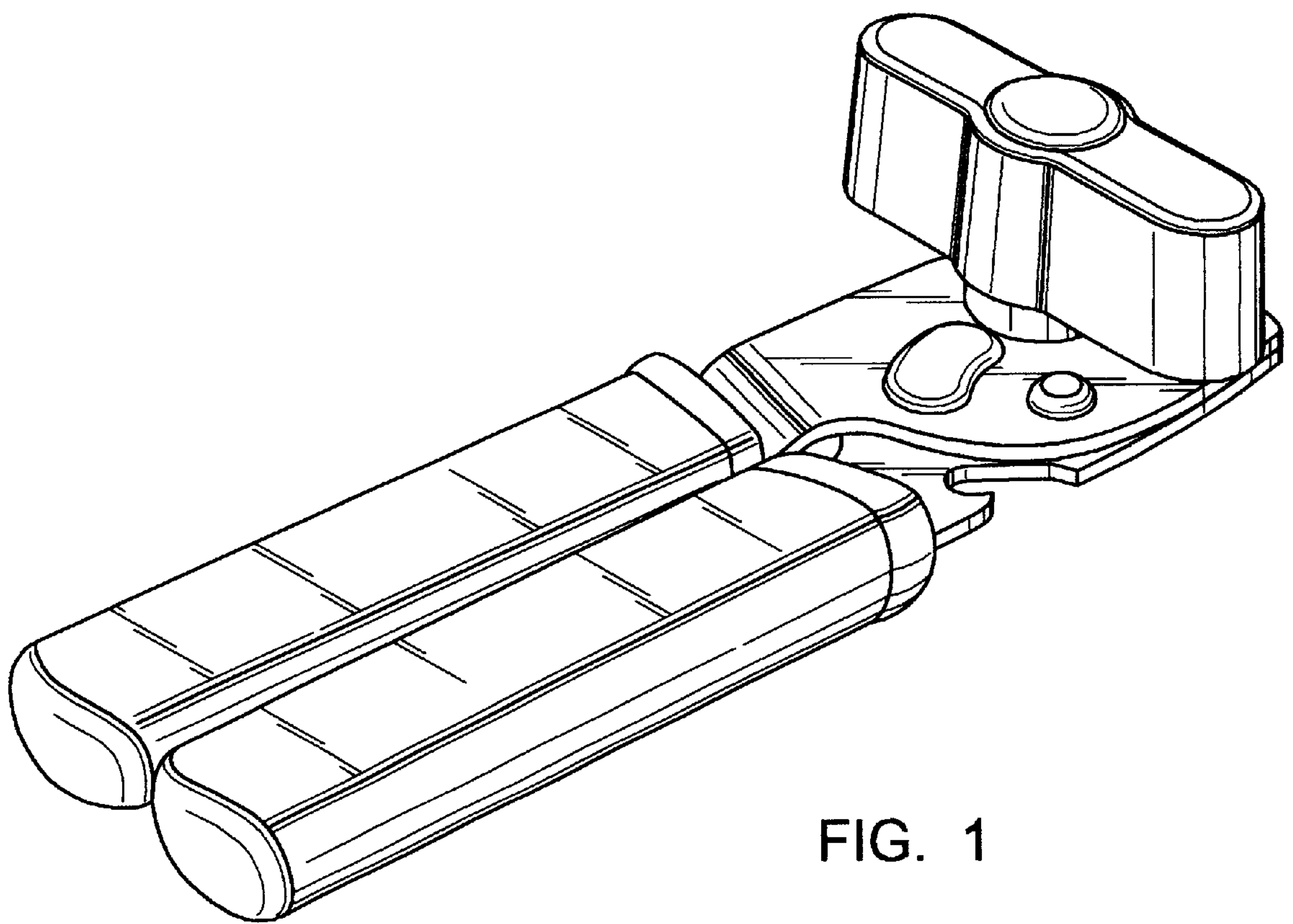


FIG. 1

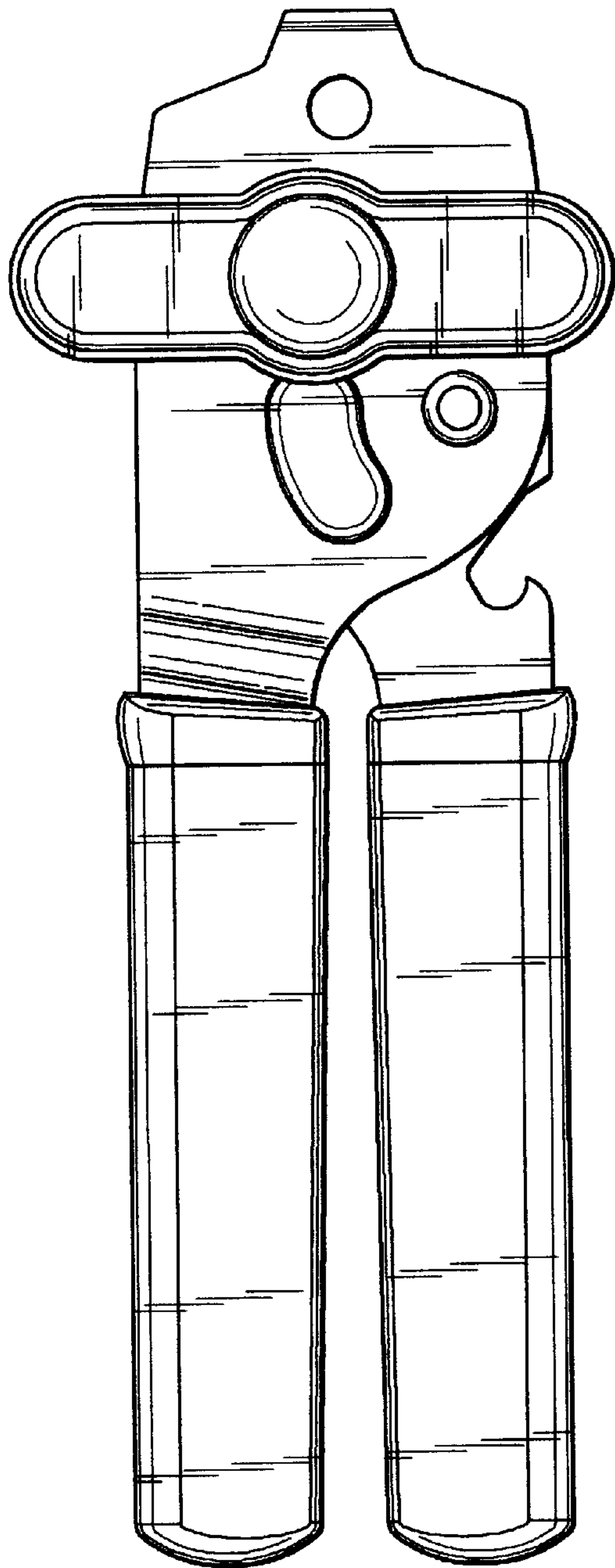


FIG. 2

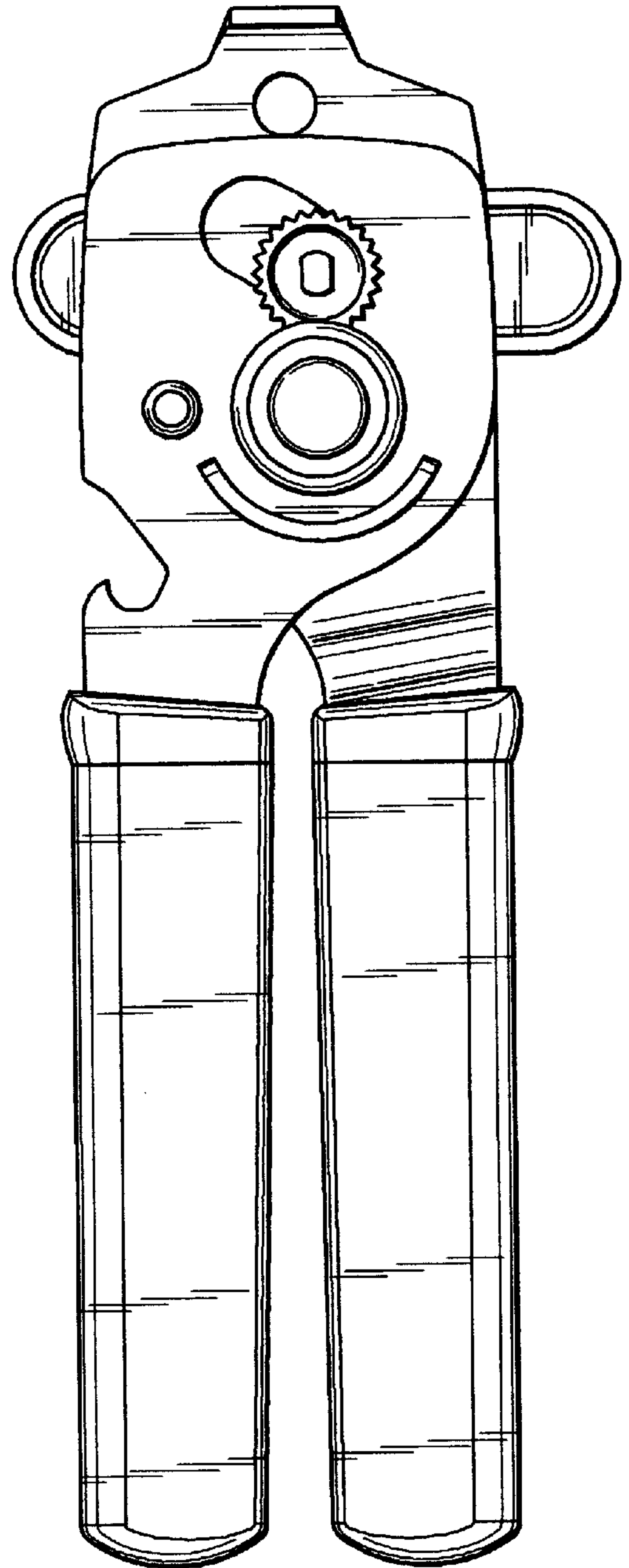


FIG. 3

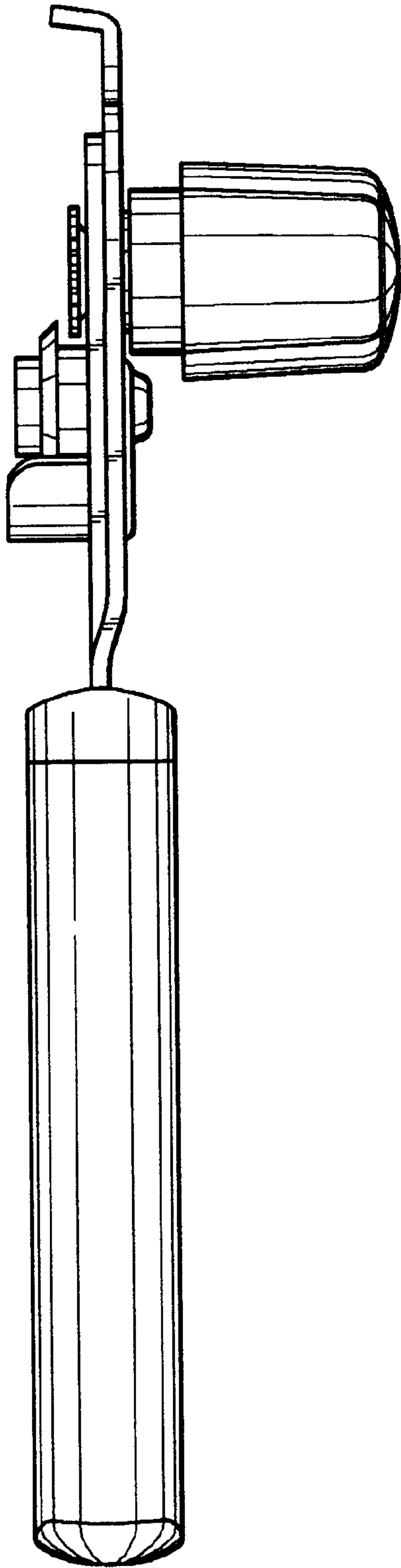


FIG. 4

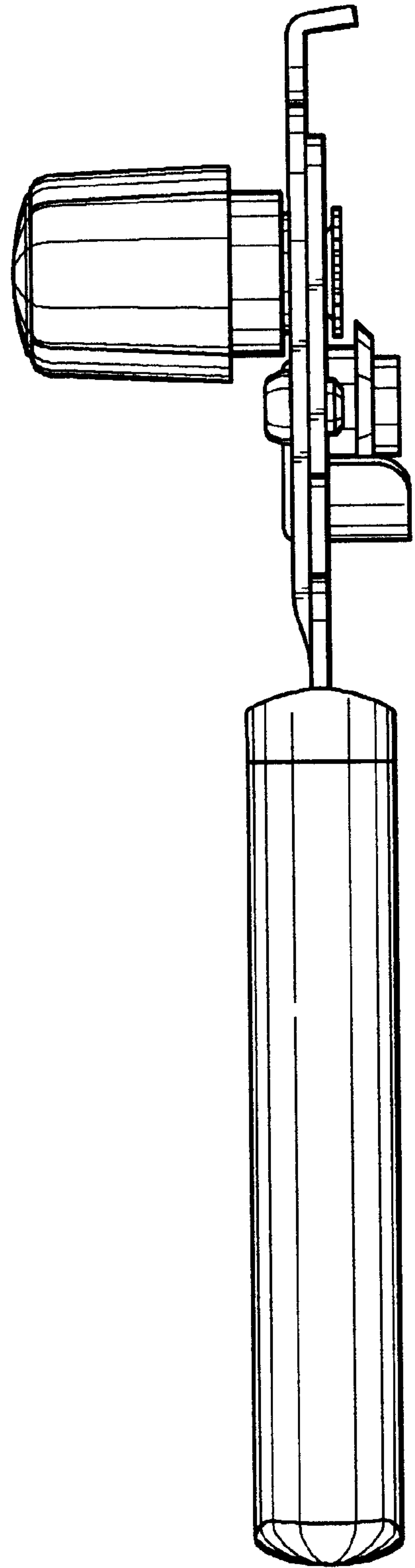


FIG. 5

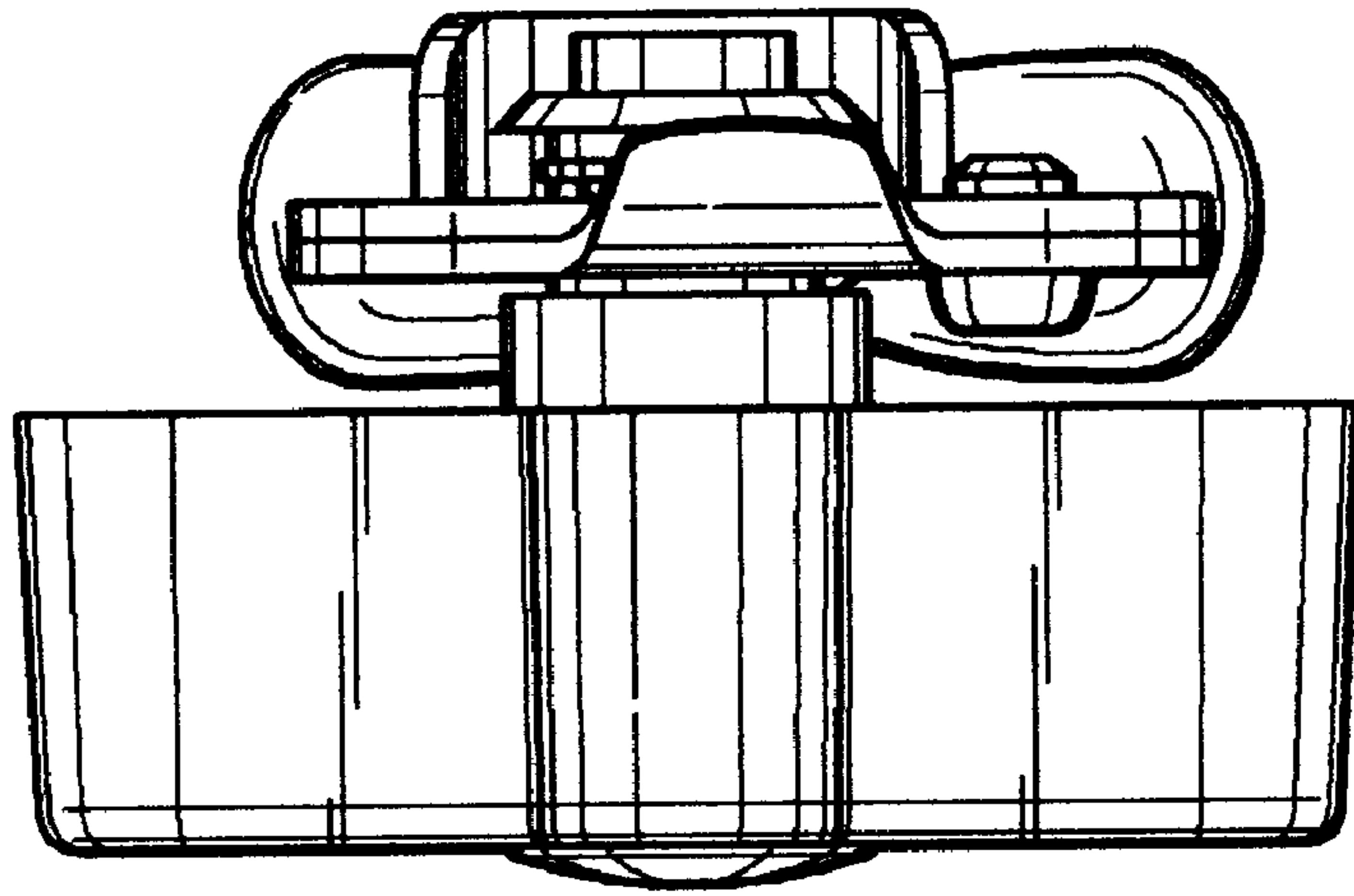


FIG. 6

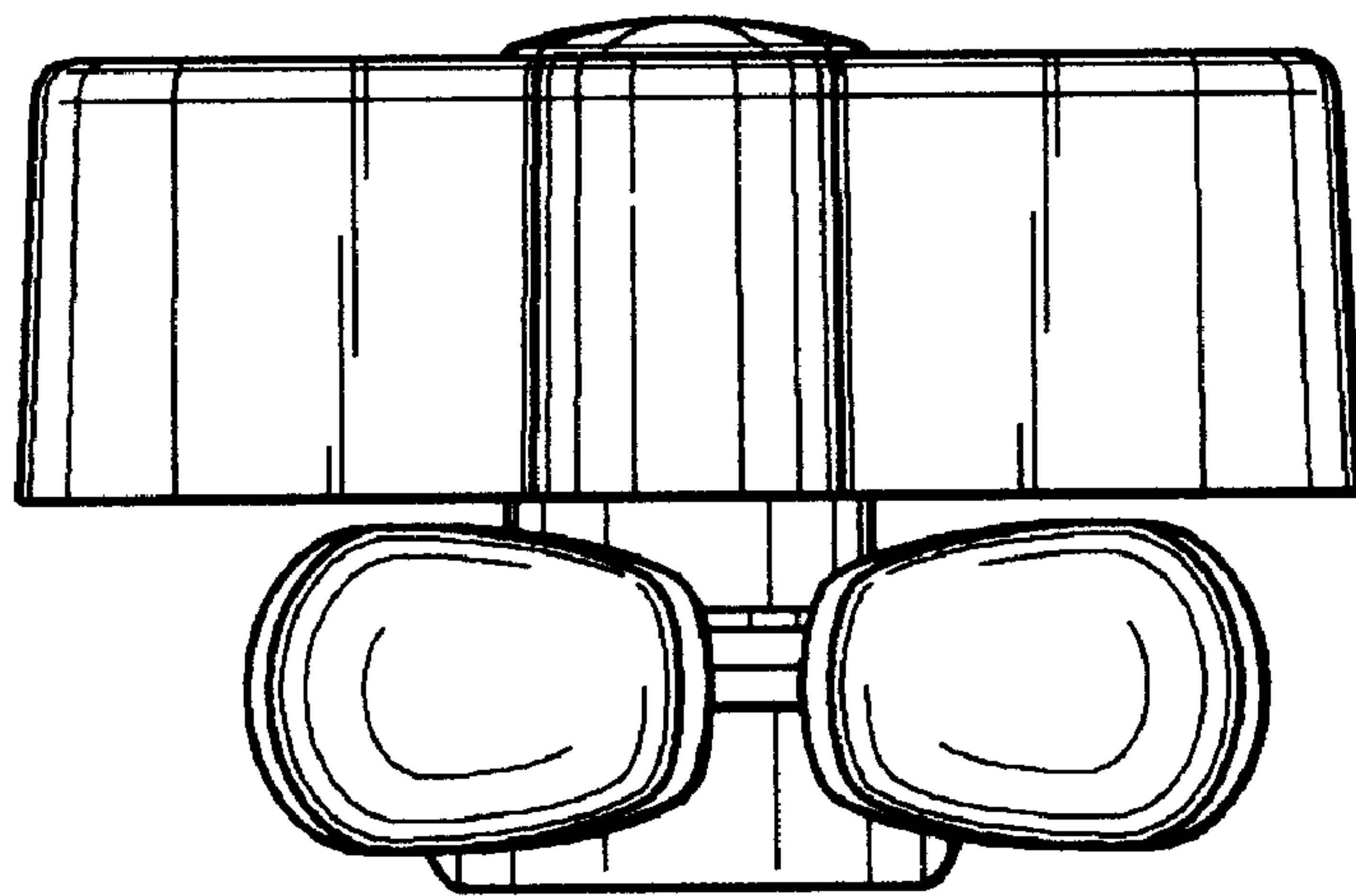


FIG. 7