



US00D474080S

(12) **United States Design Patent**
Wong et al.

(10) **Patent No.:** **US D474,080 S**

(45) **Date of Patent:** **** May 6, 2003**

(54) **PEPPER MILL**

3,476,297 A * 11/1969 Swett et al. 222/480
D315,480 S * 3/1991 Wu D7/679
5,897,067 A * 4/1999 Tardif et al. 241/169.1

(76) Inventors: **Yan Kwong Wong**, Unit 1016-17, 10th Floor, Metro Centre II, 21 Lam Hing Street, Kowloon Bay, Kowloon (HK);
Wai Kwok Michael Young, 4528 11th St., Long Island City, NY (US) 11101;
Wei Young, 4528 11th St., Long Island City, NY (US) 11101

* cited by examiner

Primary Examiner—Terry A. Wallace
(74) *Attorney, Agent, or Firm*—Salter & Michaelson

(**) Term: **14 Years**

(57) **CLAIM**

(21) Appl. No.: **29/157,517**

The ornamental design for a pepper mill, as shown and described.

(22) Filed: **Mar. 20, 2002**

DESCRIPTION

(30) **Foreign Application Priority Data**

Sep. 24, 2001 (HK) 0111444

FIG. 1 is a perspective view of a pepper mill showing my new design;

(51) **LOC (7) Cl.** **07-06**

FIG. 2 is a left side elevational view thereof;

(52) **U.S. Cl.** **D7/679**

FIG. 3 is a right side elevational view thereof;

(58) **Field of Search** D7/679, 590-597,
D7/372-373; 222/142.1-142.9, 480; 241/168,
169, 169.1, 262, 286

FIG. 4 is a top plan view thereof;

FIG. 5 is a bottom plan view thereof; and,

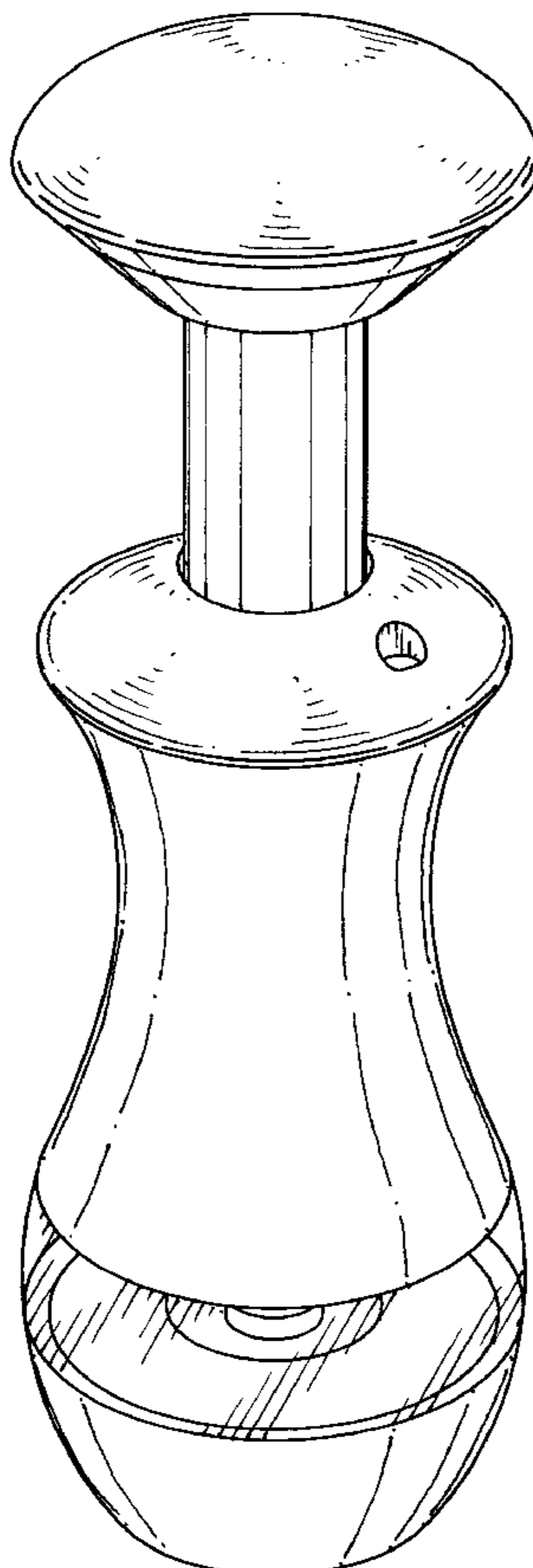
FIG. 6 is a front perspective view thereof, the rear perspective view being a mirror image thereof.

(56) **References Cited**

U.S. PATENT DOCUMENTS

D191,216 S * 8/1961 Wish D7/596

1 Claim, 4 Drawing Sheets



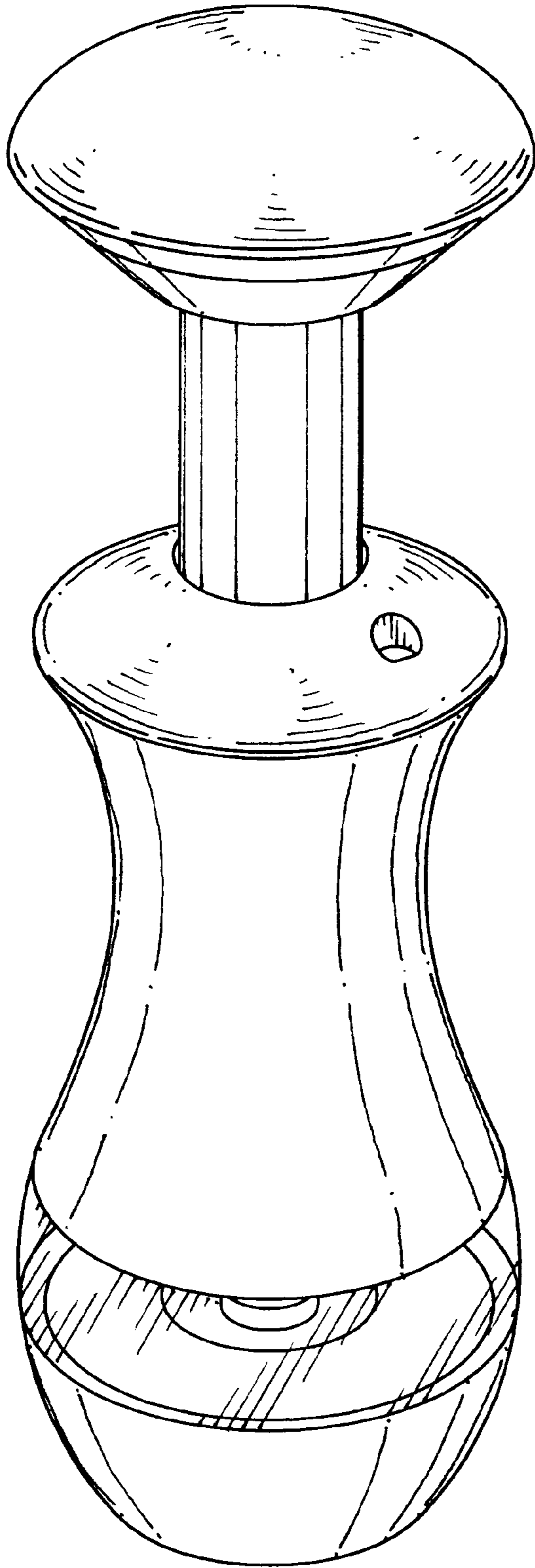


FIG. 1

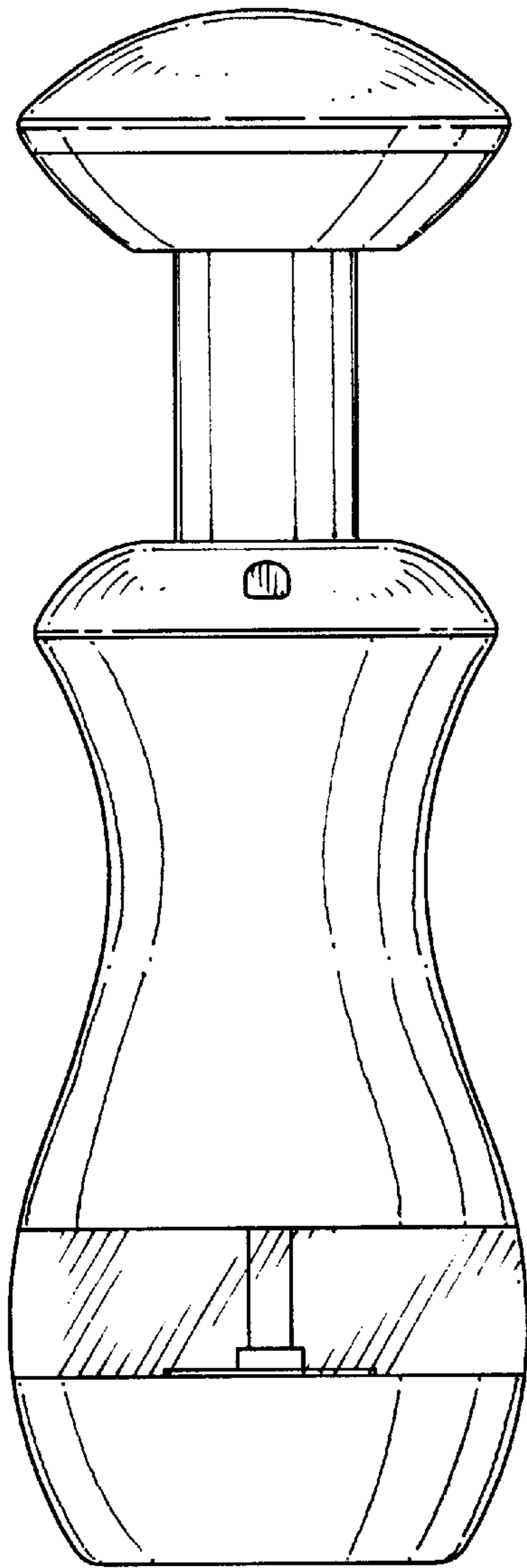


FIG. 2

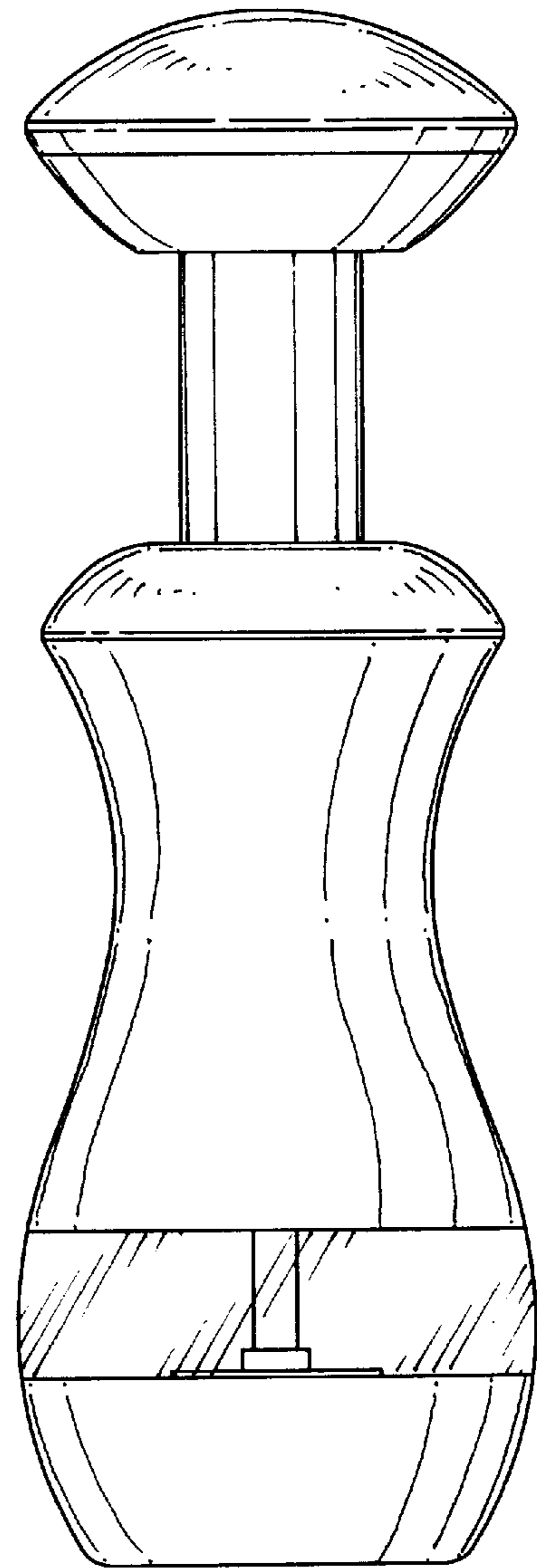


FIG. 3

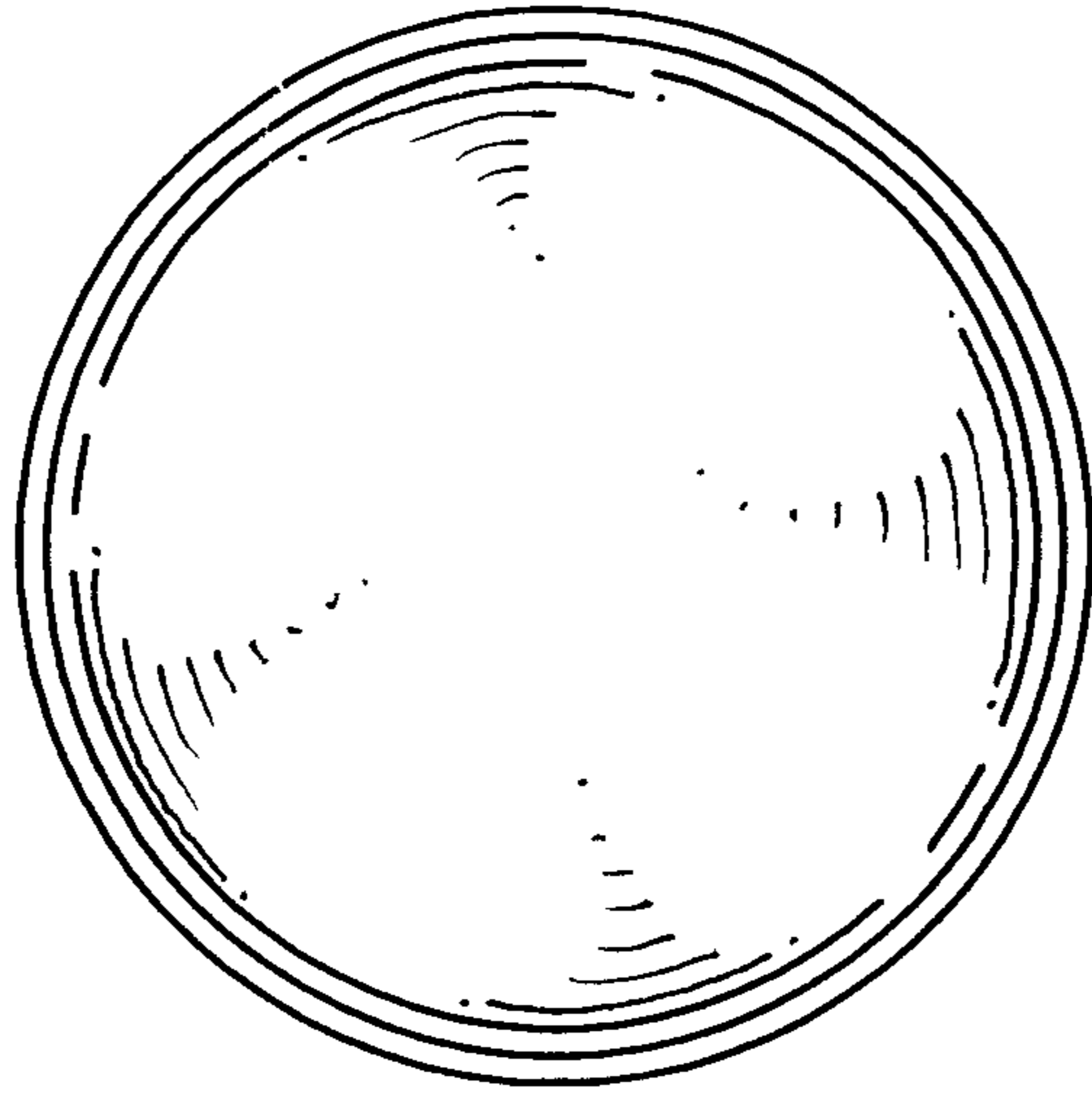


FIG. 4

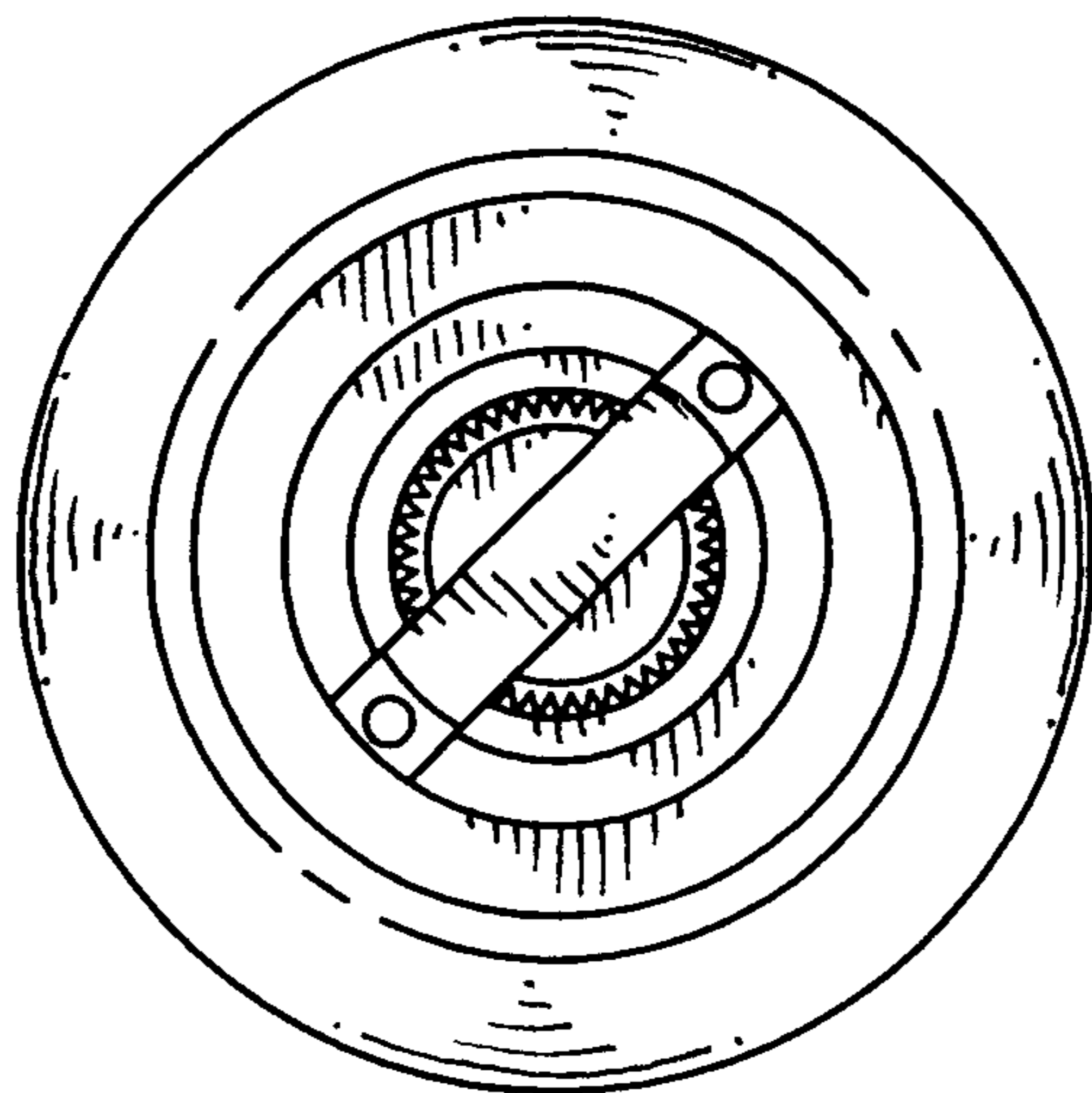


FIG. 5

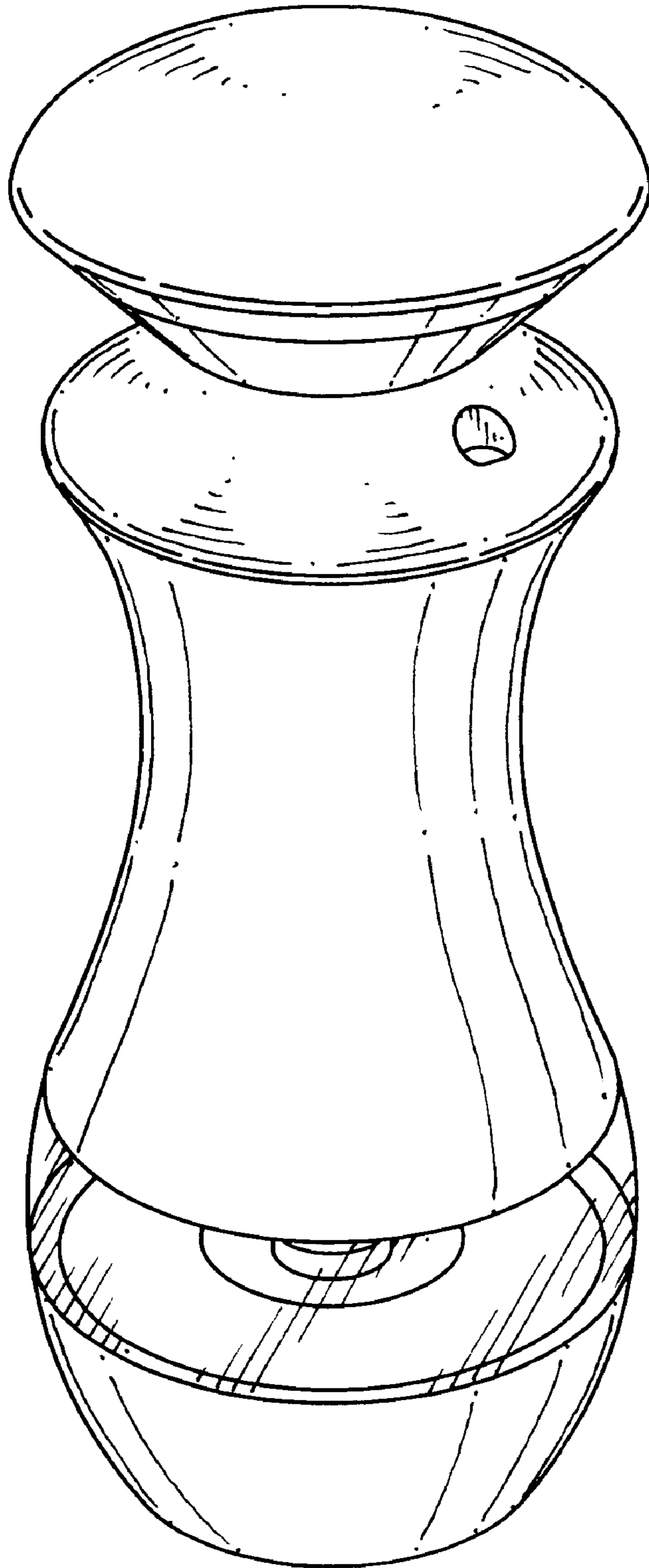


FIG. 6