



US00D474078S

(12) **United States Design Patent**  
**Sarnoff**

(10) **Patent No.:** **US D474,078 S**

(45) **Date of Patent:** **\*\* May 6, 2003**

(54) **INTERCHANGEABLE DISPOSABLE FOIL PAN/COVER**

(75) Inventor: **Norton Sarnoff**, Northbrook, IL (US)

(73) Assignee: **Handi-Foil Corporation**, Wheeling, IL (US)

(\*\*) Term: **14 Years**

(21) Appl. No.: **29/169,776**

(22) Filed: **Oct. 24, 2002**

(51) **LOC (7) Cl.** ..... **07-01**

(52) **U.S. Cl.** ..... **D7/629; D7/354; D9/426**

(58) **Field of Search** ..... **D9/435, 424, 629, D9/426; D7/354, 356; 220/780-795, 796-806**

(56) **References Cited**

**U.S. PATENT DOCUMENTS**

- D298,199 S \* 10/1988 Finsilver et al. .... D9/426
- D416,445 S \* 11/1999 Henry ..... D7/354
- D438,050 S \* 2/2001 Huntzinger ..... D7/354

\* cited by examiner

*Primary Examiner*—Louis S. Zarfaz

*Assistant Examiner*—Gregory Andoll

(74) *Attorney, Agent, or Firm*—Robert F. I. Conte; Barnes & Thornburg

(57) **CLAIM**

The ornamental design for an interchangeable disposable foil pan/cover, substantially as shown and described.

**DESCRIPTION**

FIG. 1 is a top perspective view of a interchangeable disposable foil pan/cover showing my new design;

FIG. 2 is a reduced top plan view of the interchangeable disposable foil pan/cover of FIG. 1;

FIG. 3 is a reduced bottom plan view of the interchangeable disposable foil pan/cover of FIG. 1;

FIG. 4 is a front view of the interchangeable disposable foil pan/cover of FIG. 1 with the rear plan view being a mirror image thereof;

FIG. 5 is a right side plan view of the interchangeable disposable foil pan/cover of FIG. 1; and,

FIG. 6 is a left side plan view of the interchangeable disposable foil pan/cover of FIG. 1.

**1 Claim, 2 Drawing Sheets**

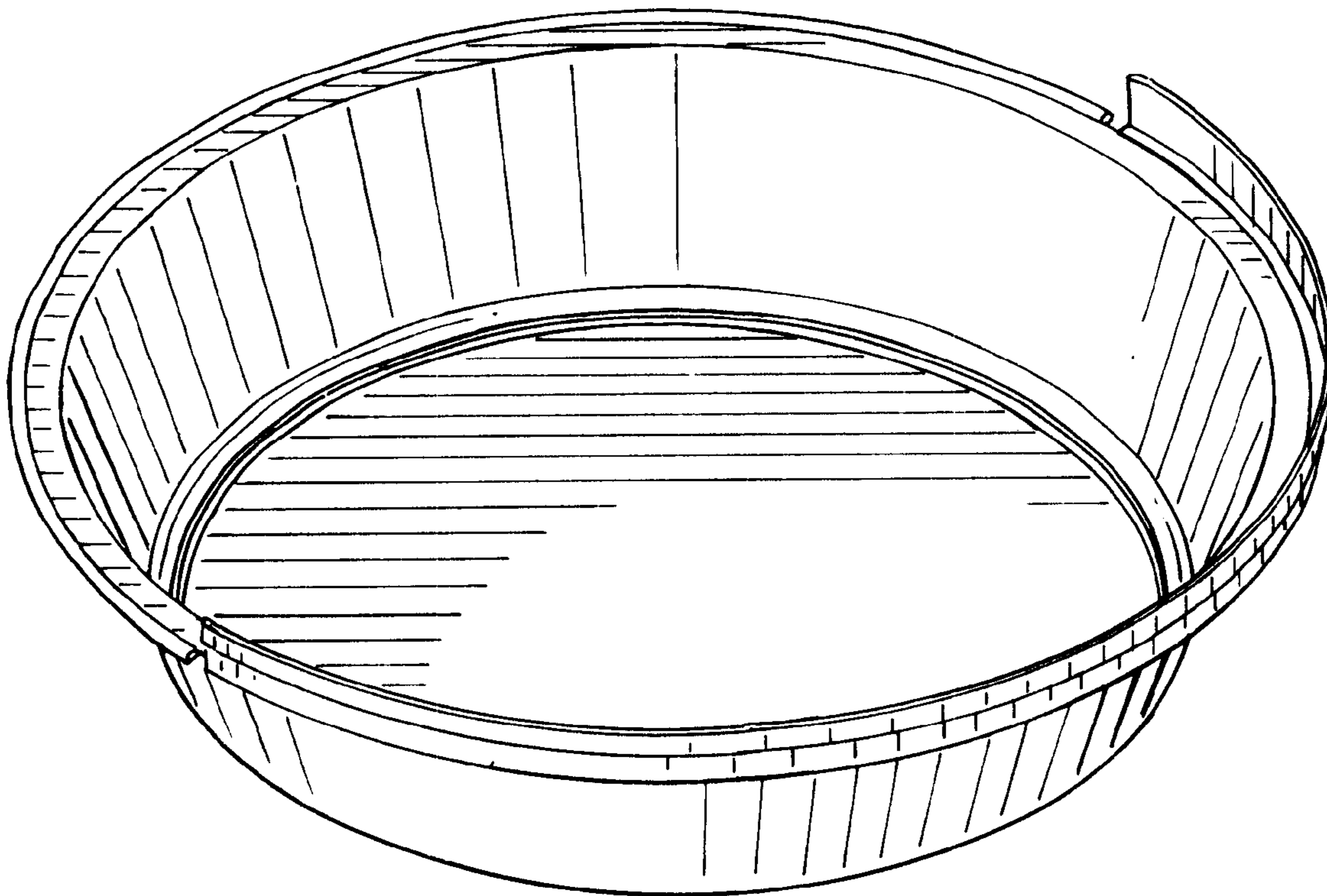


FIG. 1

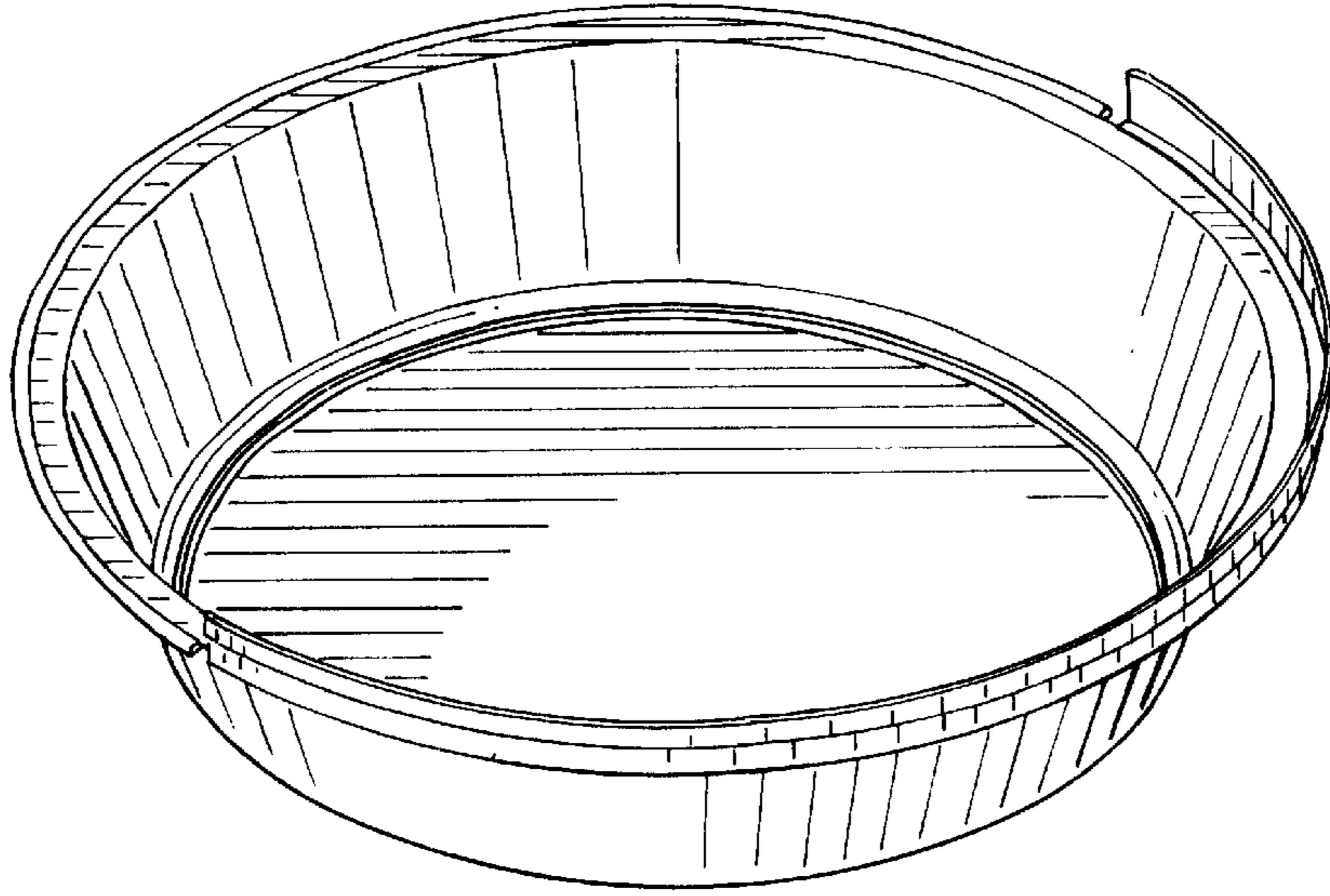


FIG. 2

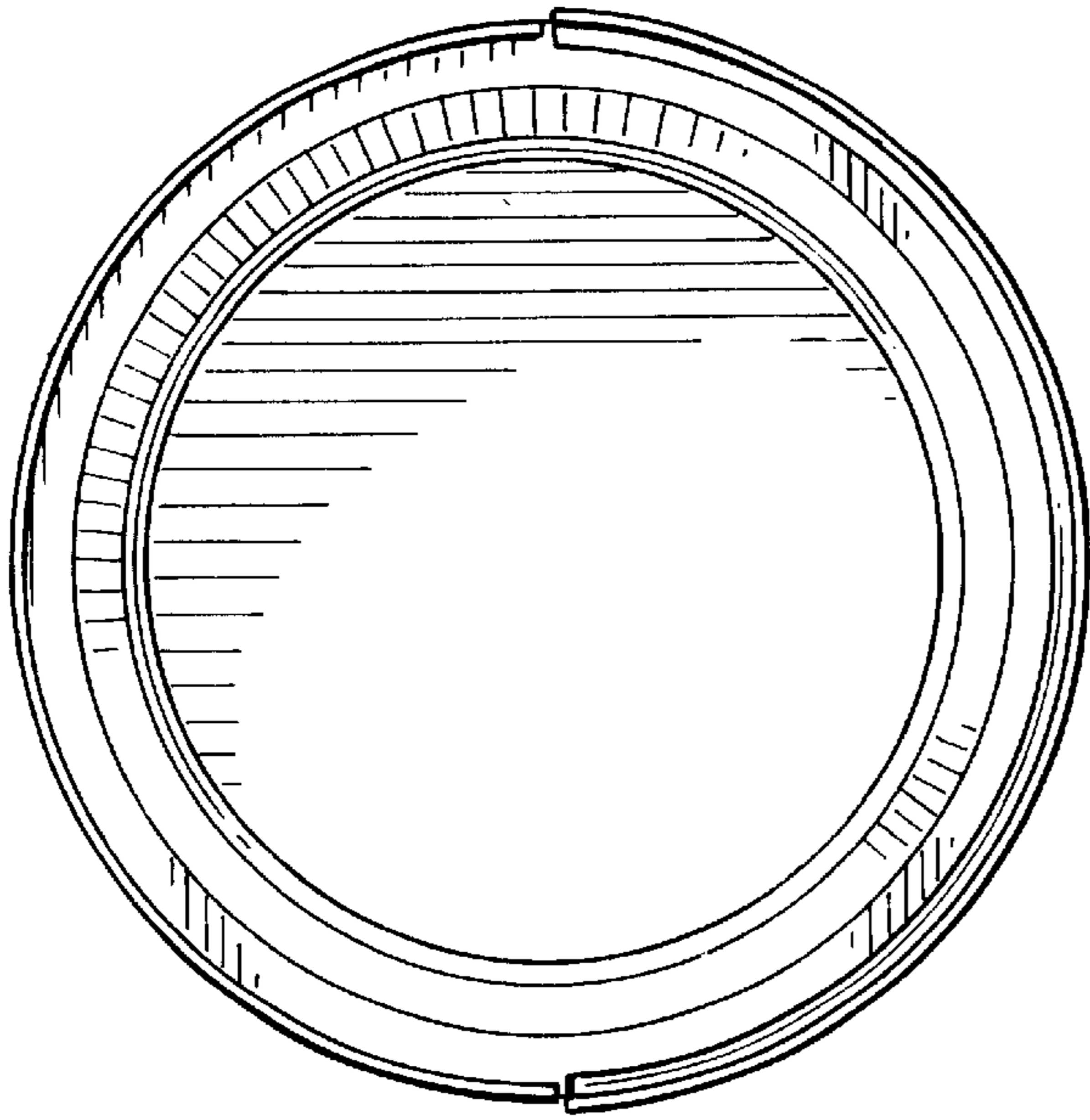
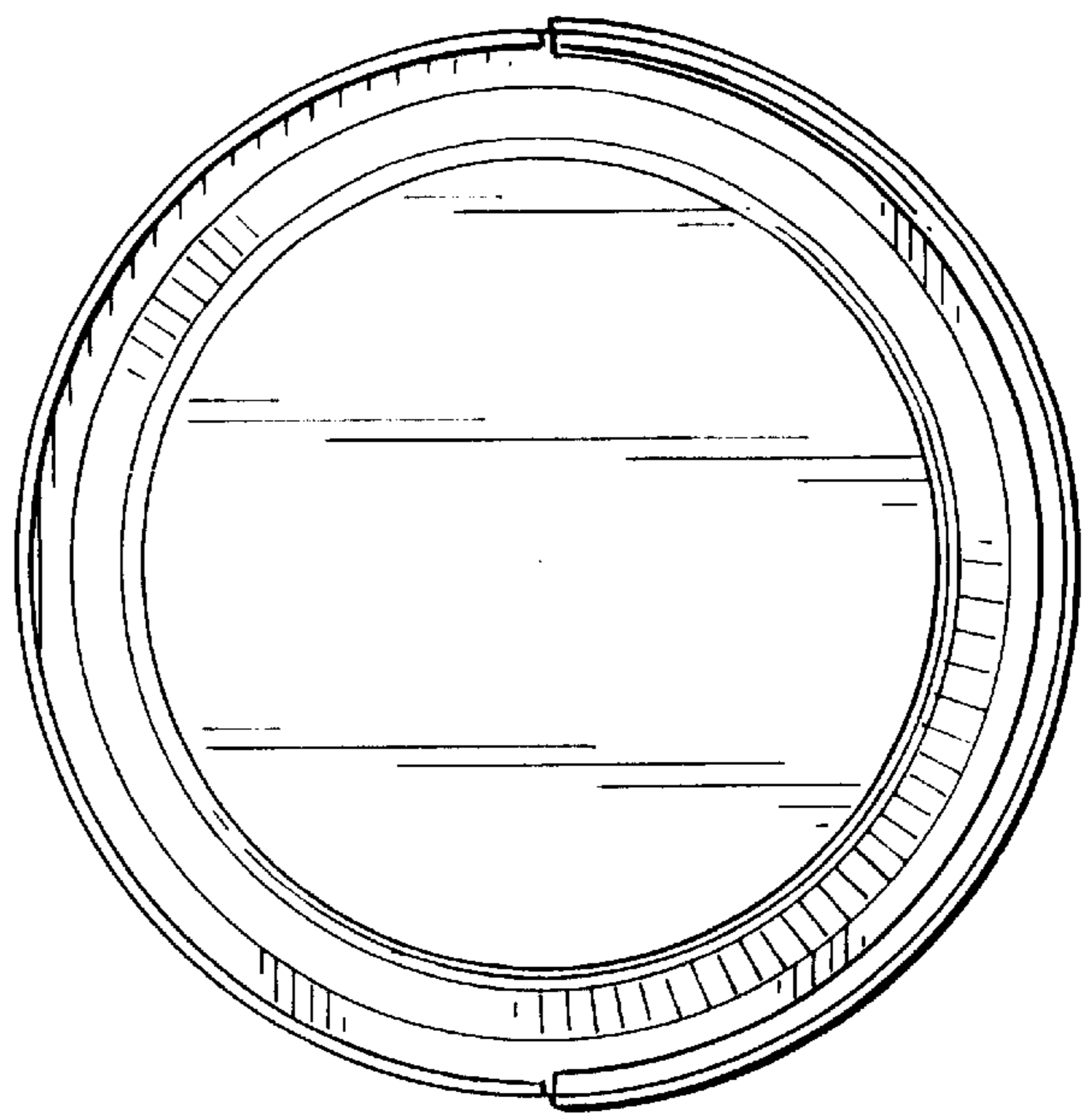
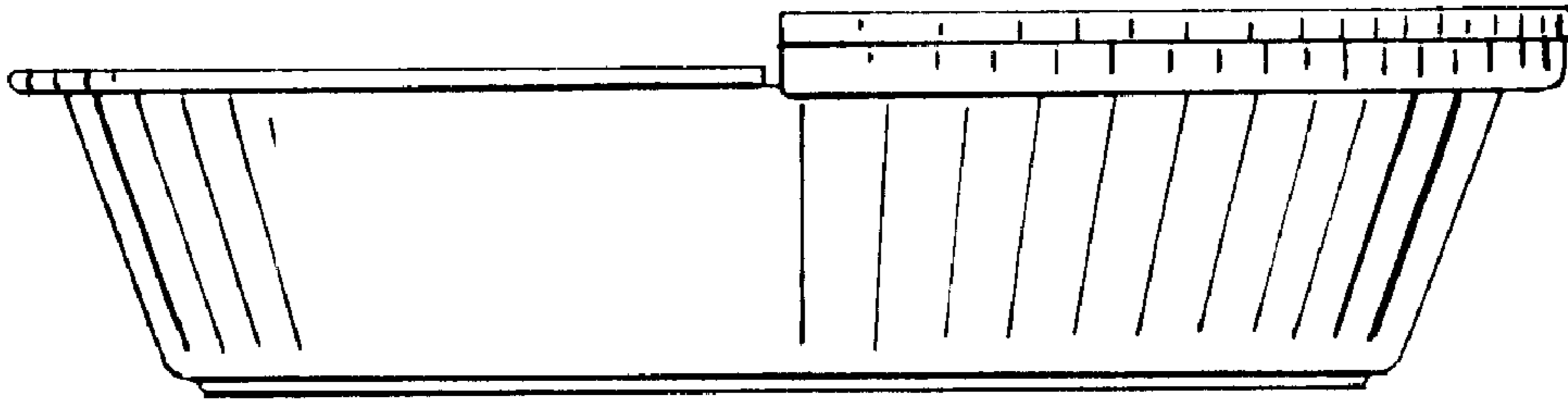


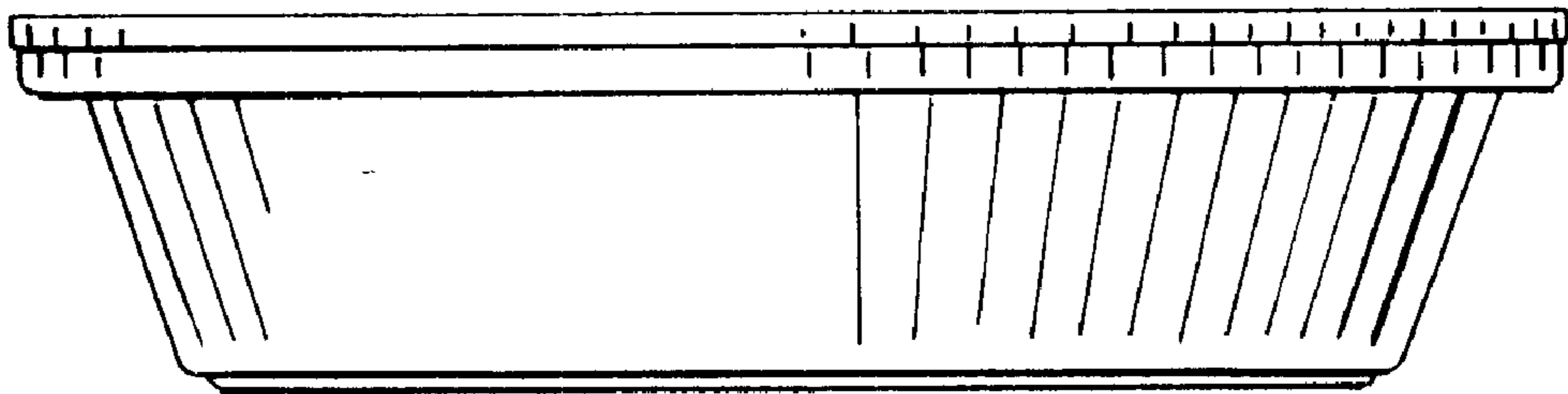
FIG. 3



**FIG. 4**



**FIG. 5**



**FIG. 6**

