



US00D474076S

(12) **United States Design Patent**
Fromm

(10) **Patent No.:** **US D474,076 S**

(45) **Date of Patent:** **** May 6, 2003**

(54) **MINIATURE FOOD AND BEVERAGE CONTAINING, HEATING, AND REFRIGERATING DEVICE**

(76) **Inventor:** **Malte Fromm**, Hanauer Landstrasse, Frankfurt am Main (DE), 60314

(**) **Term:** **14 Years**

(21) **Appl. No.:** **29/162,600**

(22) **Filed:** **Jun. 18, 2002**

(51) **LOC (7) Cl.** **07-01**

(52) **U.S. Cl.** **D7/606; D15/81**

(58) **Field of Search** **D7/605-608, 628; D15/79, 81; 62/371-373, 384, 440, 457.1-457.8; 220/592.2, 592.24, 592.25, 915.1, 915.2; 312/116, 138.1, 236**

(56) **References Cited**

U.S. PATENT DOCUMENTS

D171,129 S	*	12/1953	Goodson	D15/81
D326,801 S	*	6/1992	Flum	D7/606
D465,133 S	*	11/2002	Ben-Moshe	D7/605

* cited by examiner

Primary Examiner—Terry A. Wallace
(74) *Attorney, Agent, or Firm*—Goldstein & Lavas, P.C

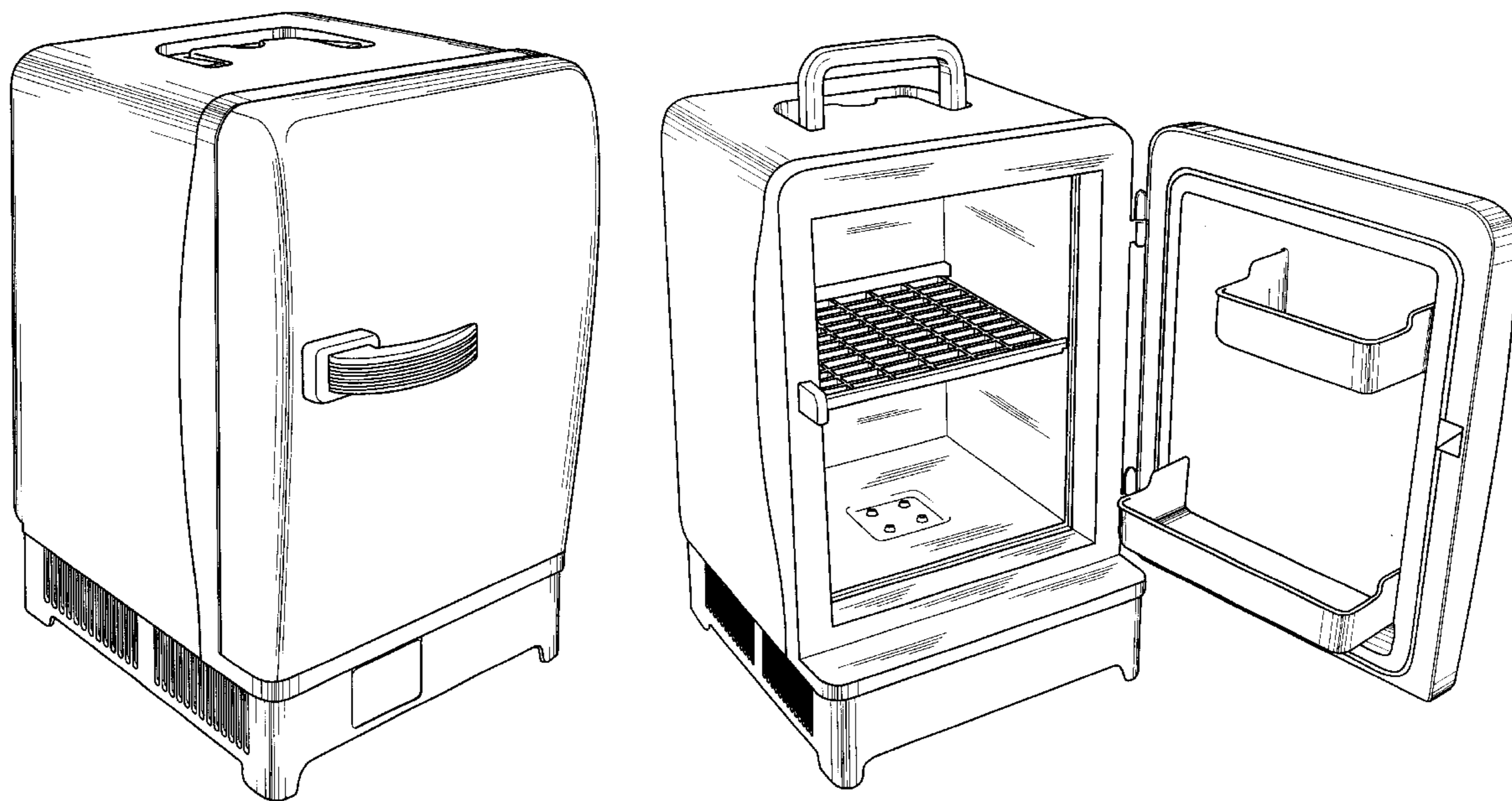
(57) **CLAIM**

The ornamental design for a miniature food and beverage containing, heating, and refrigerating device, as shown and described.

DESCRIPTION

FIG. 1 is a perspective view of a miniature food and beverage containing, heating, and refrigerating device.
 FIG. 2 is a front elevational view thereof.
 FIG. 3 is a rear elevational view thereof.
 FIG. 4 is a right side elevational view thereof.
 FIG. 5 is a left side elevational view thereof.
 FIG. 6 is a top plan view of the miniature food and beverage containing, heating, and refrigerating device.
 FIG. 7 is a bottom plan view thereof.
 FIG. 8 is an alternate perspective view of the miniature food and beverage containing, heating, and refrigerating device, with the door in the open position; and,
 FIG. 9 is an alternative perspective view thereof, with the shelving removed therefrom.
 The broken lines are for illustrative purposes only and from no part of the claimed design.

1 Claim, 7 Drawing Sheets



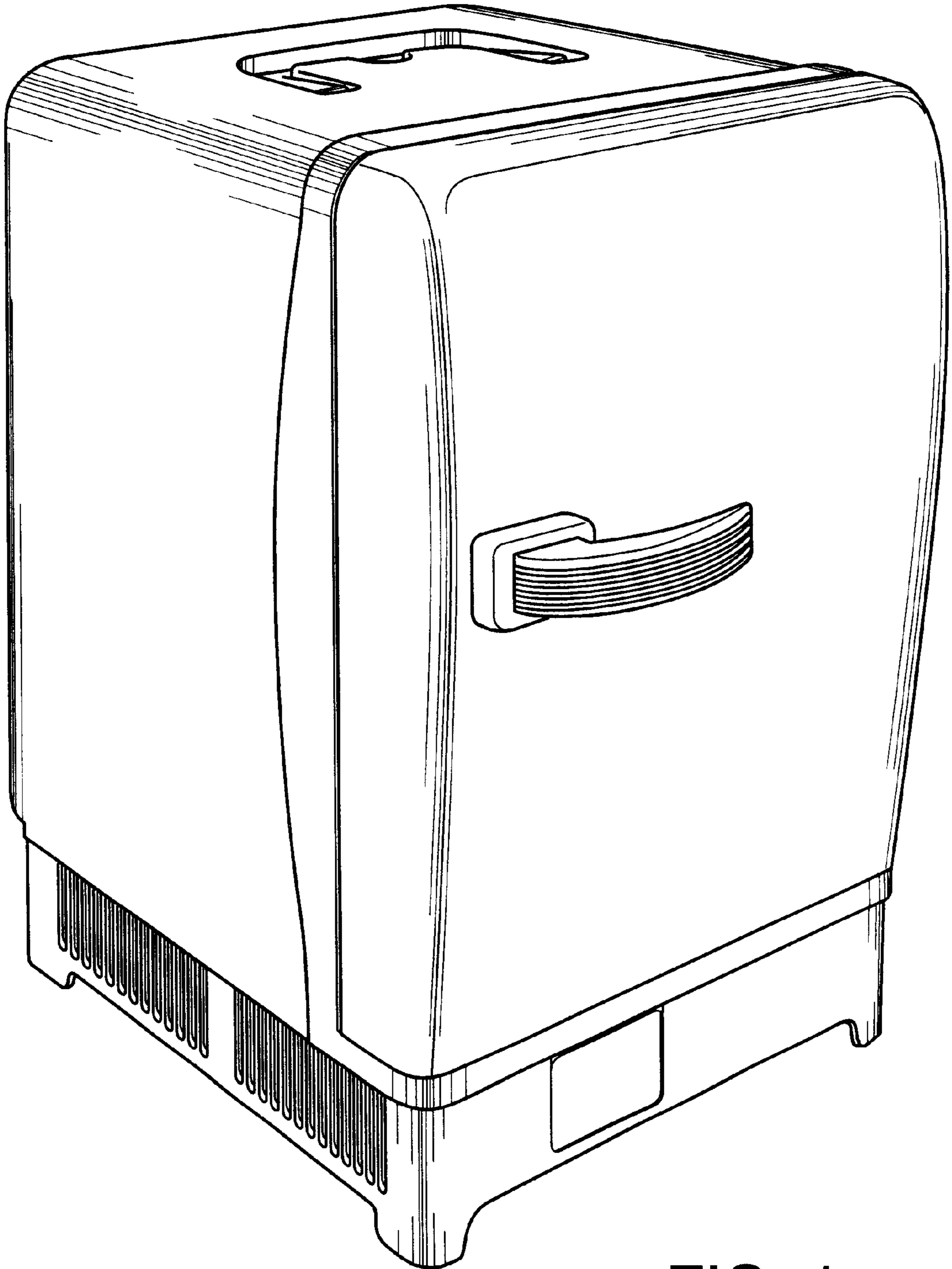


FIG. 1

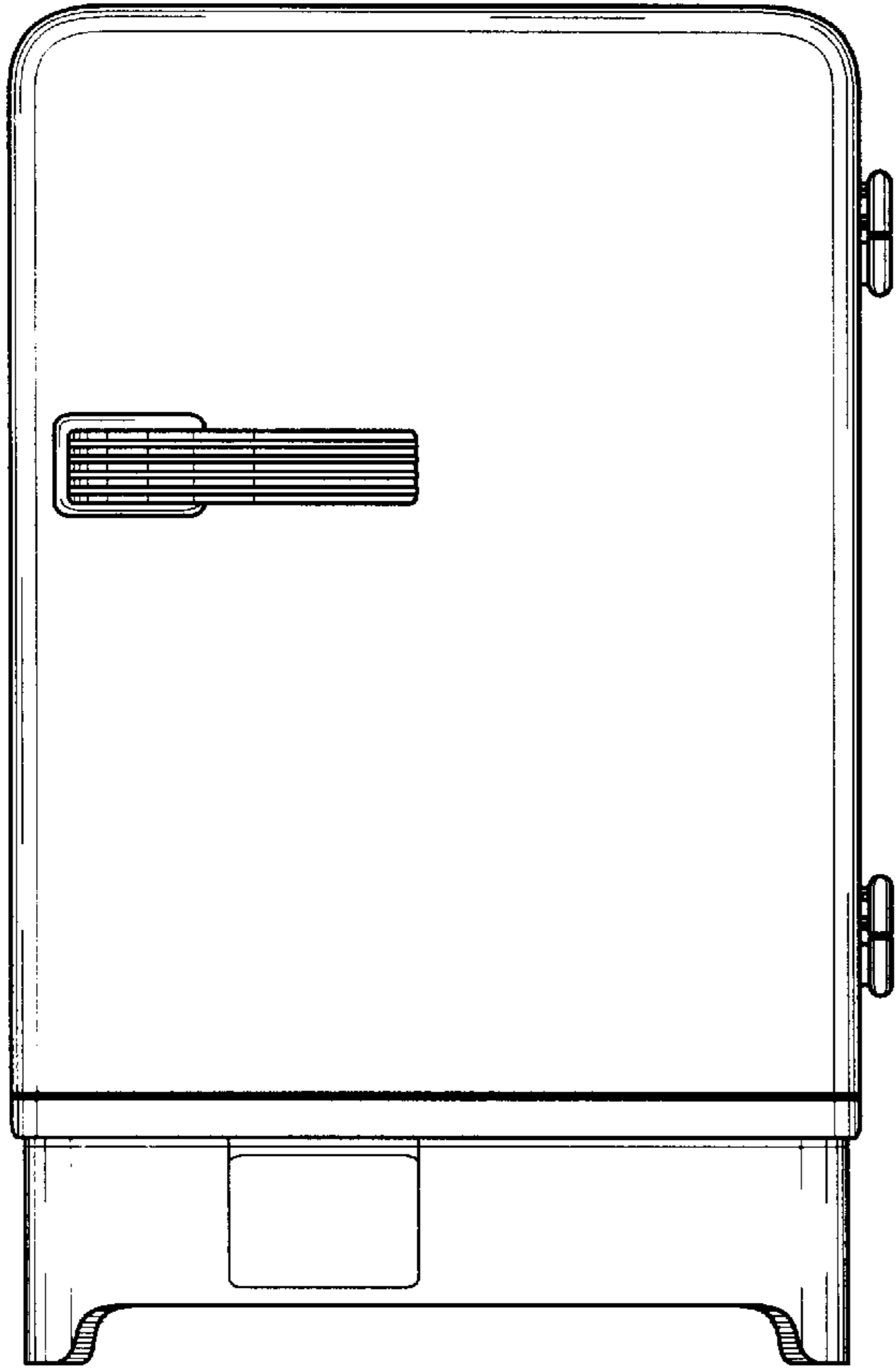


FIG. 2

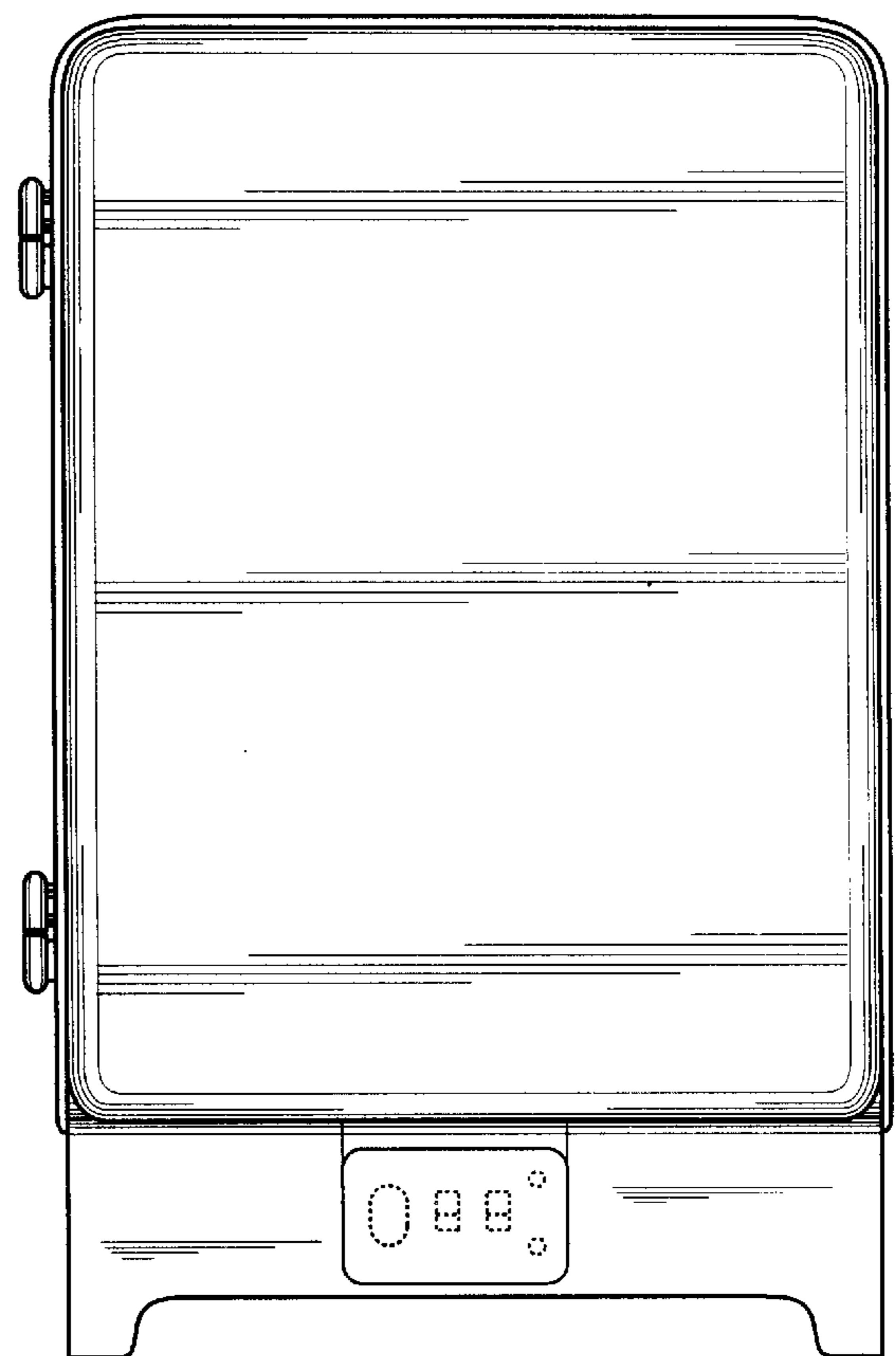


FIG. 3

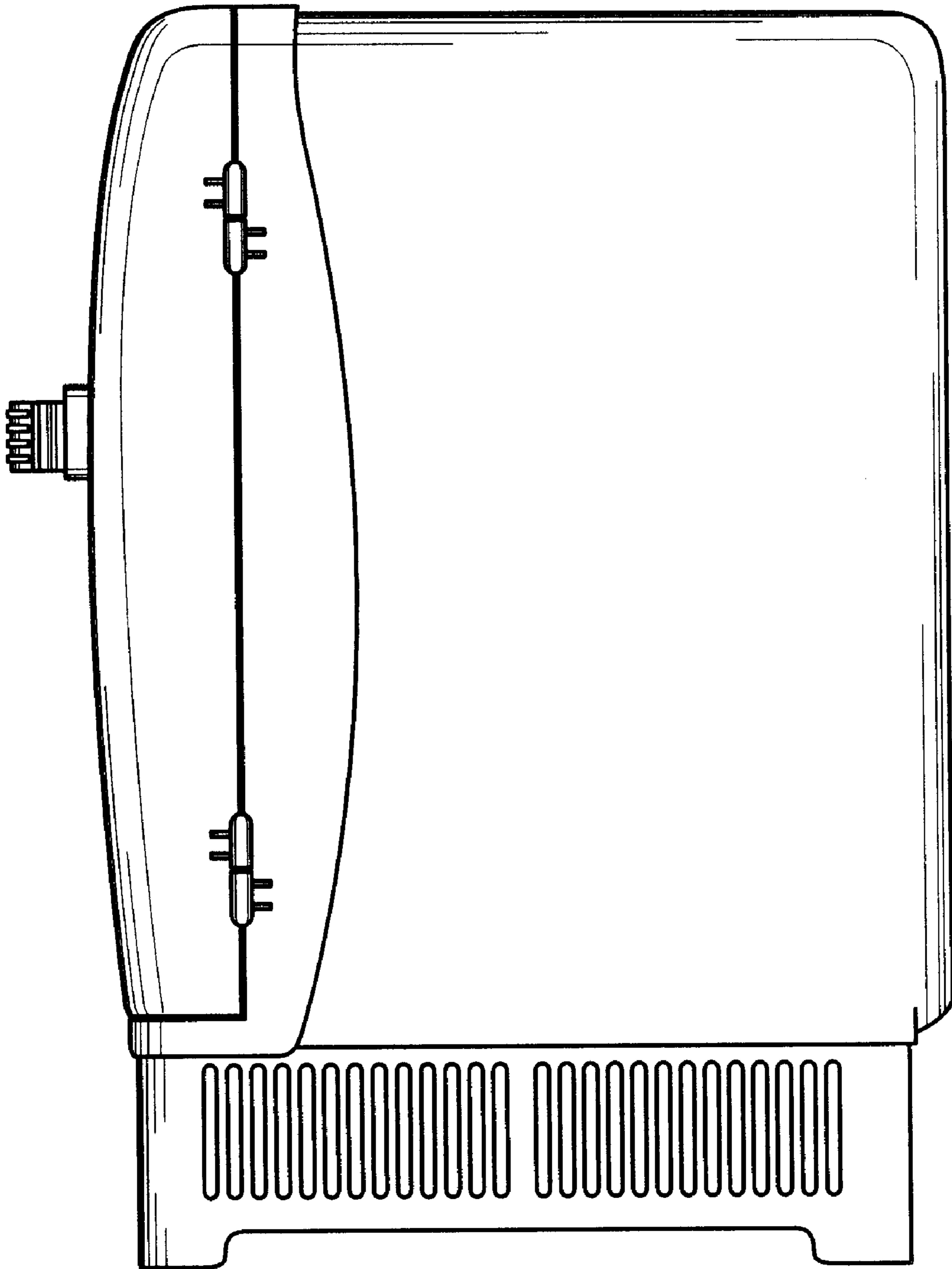


FIG. 4

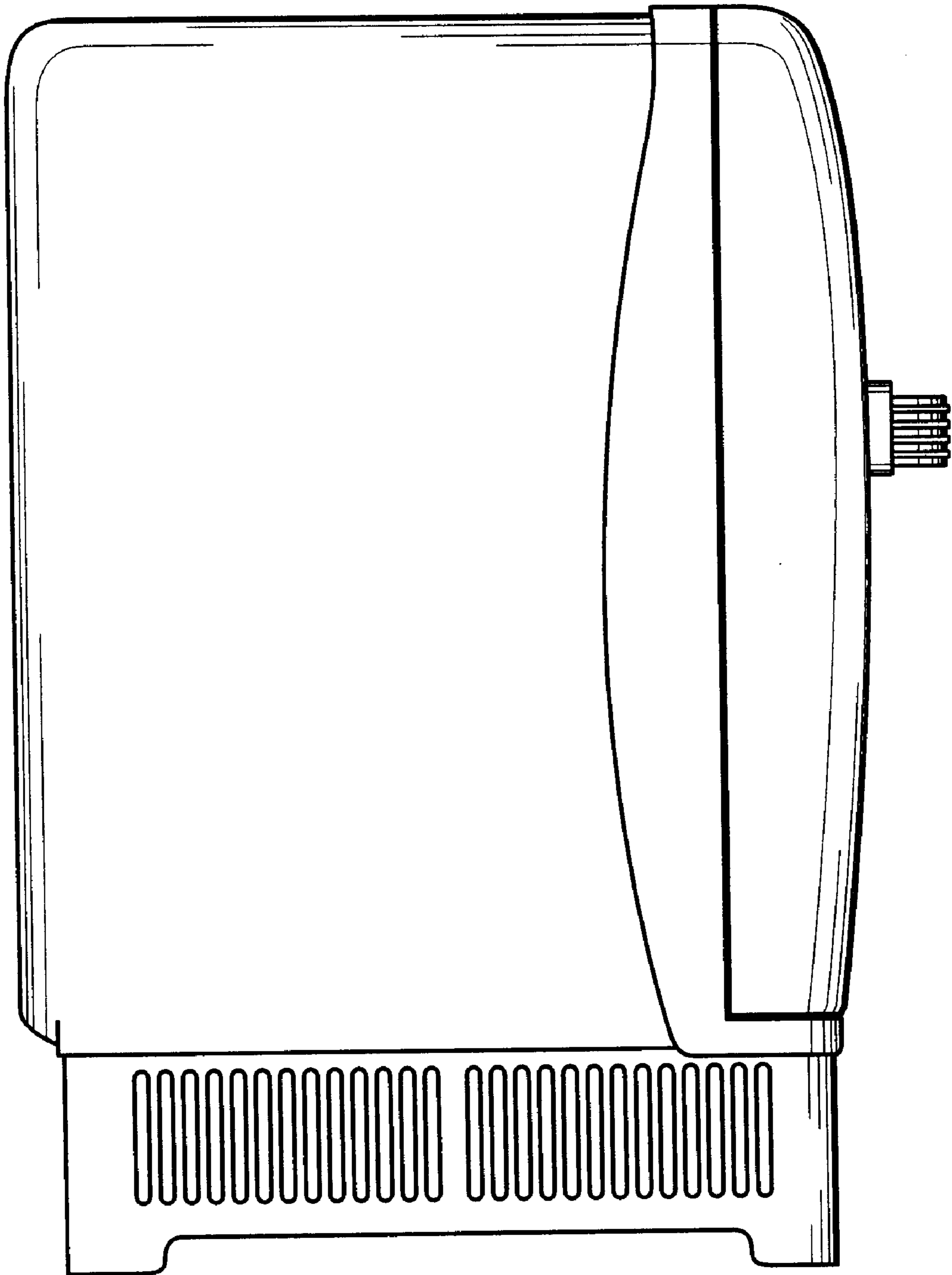


FIG. 5

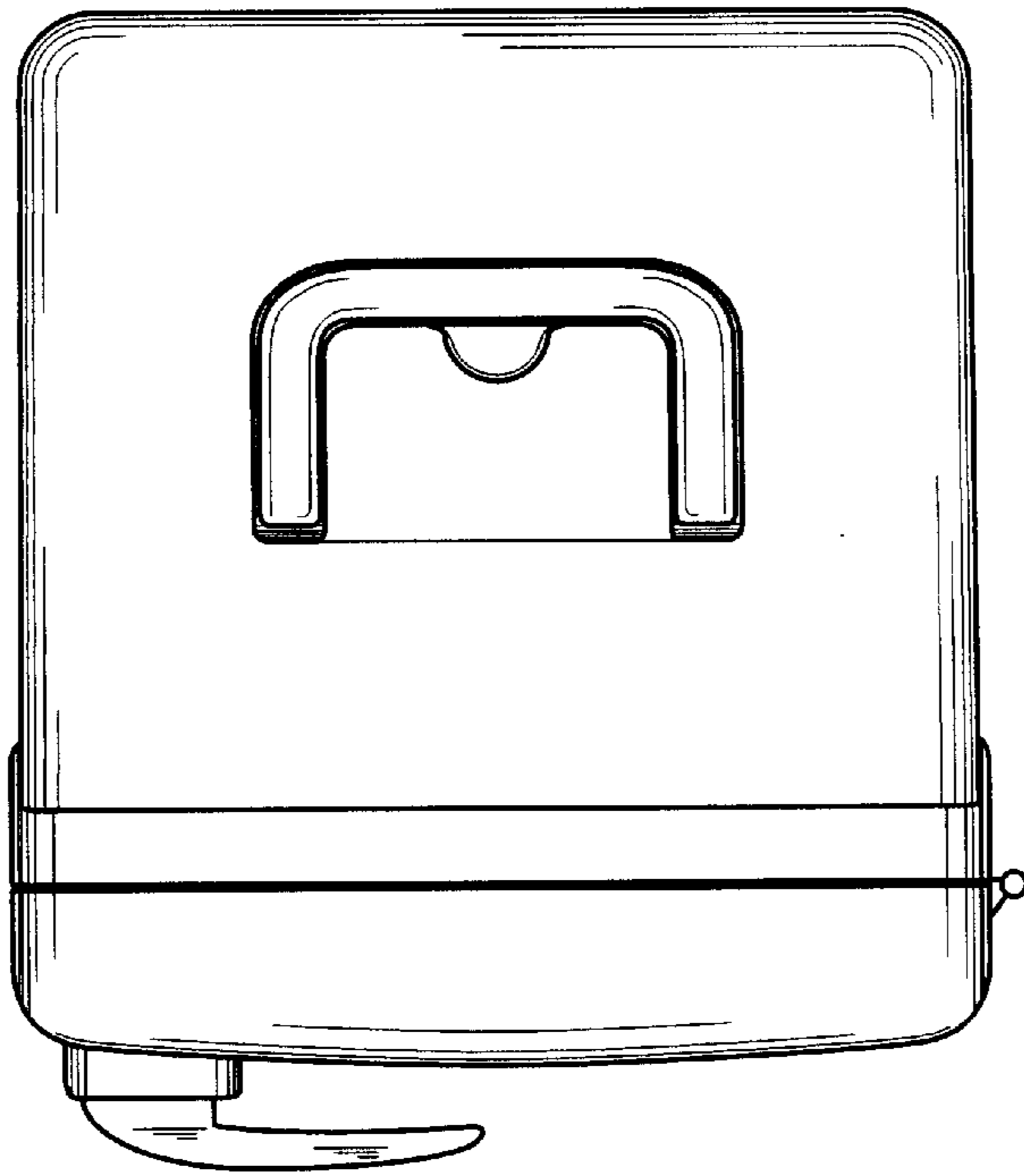


FIG. 6

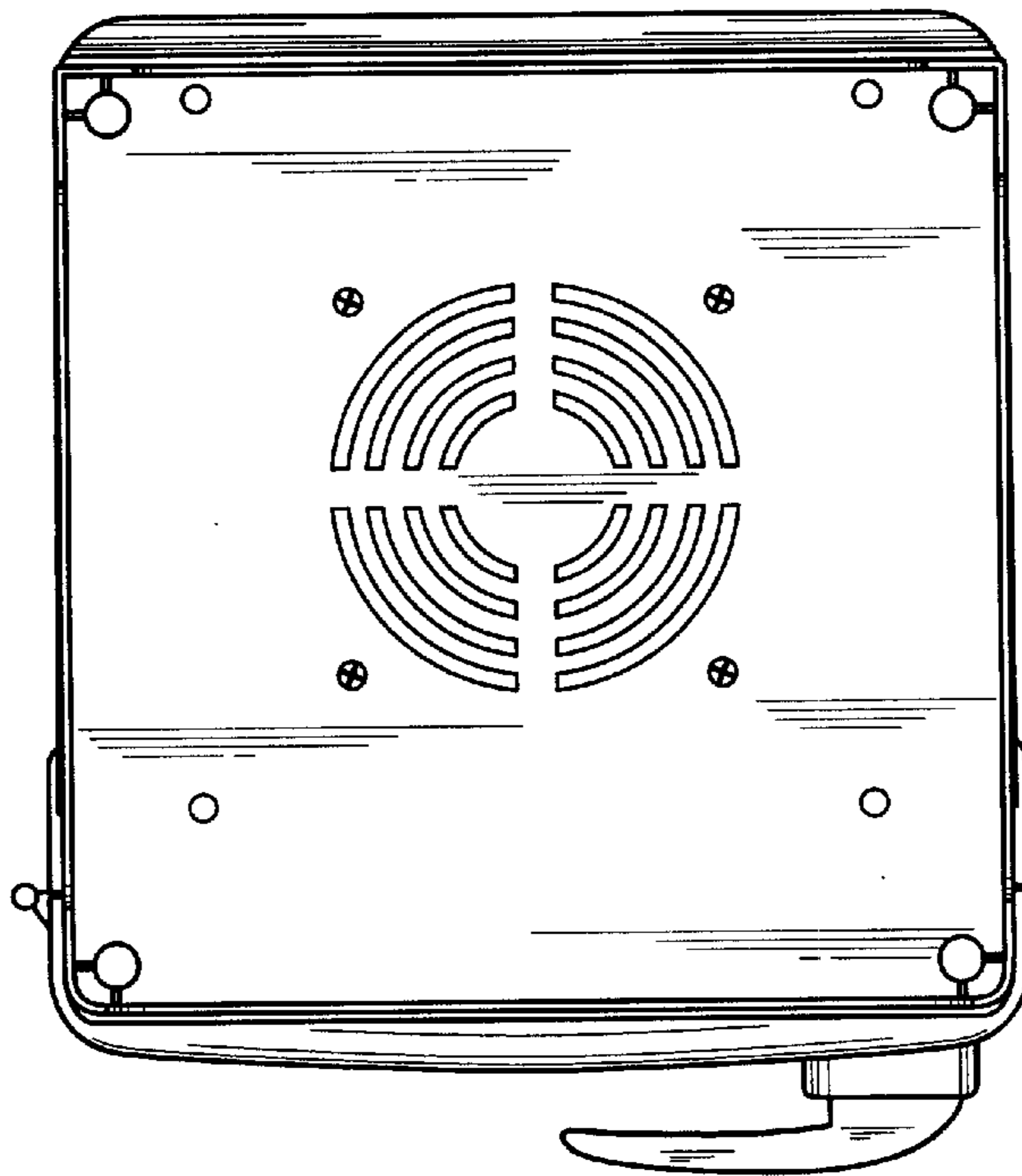


FIG. 7

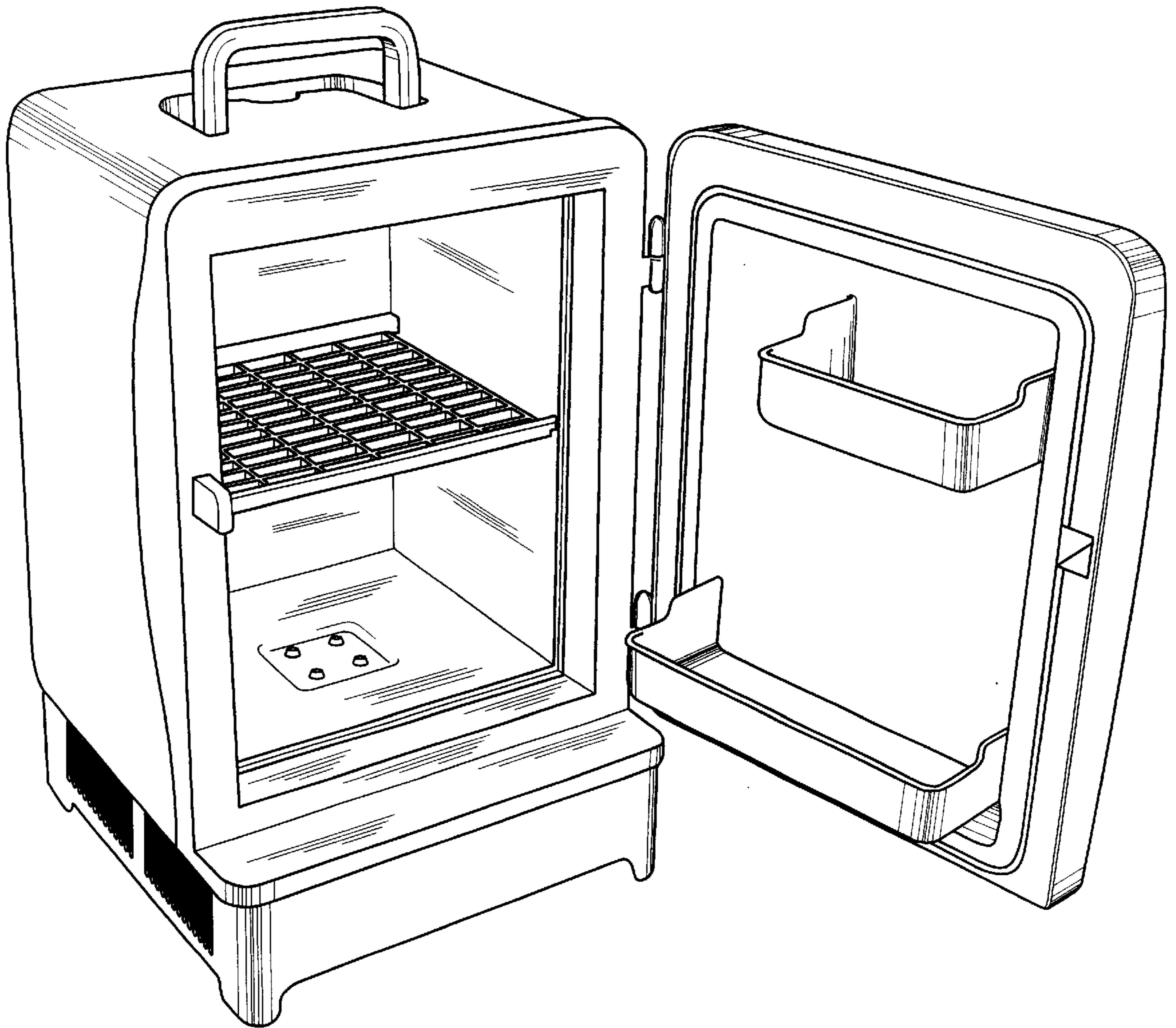


FIG. 8

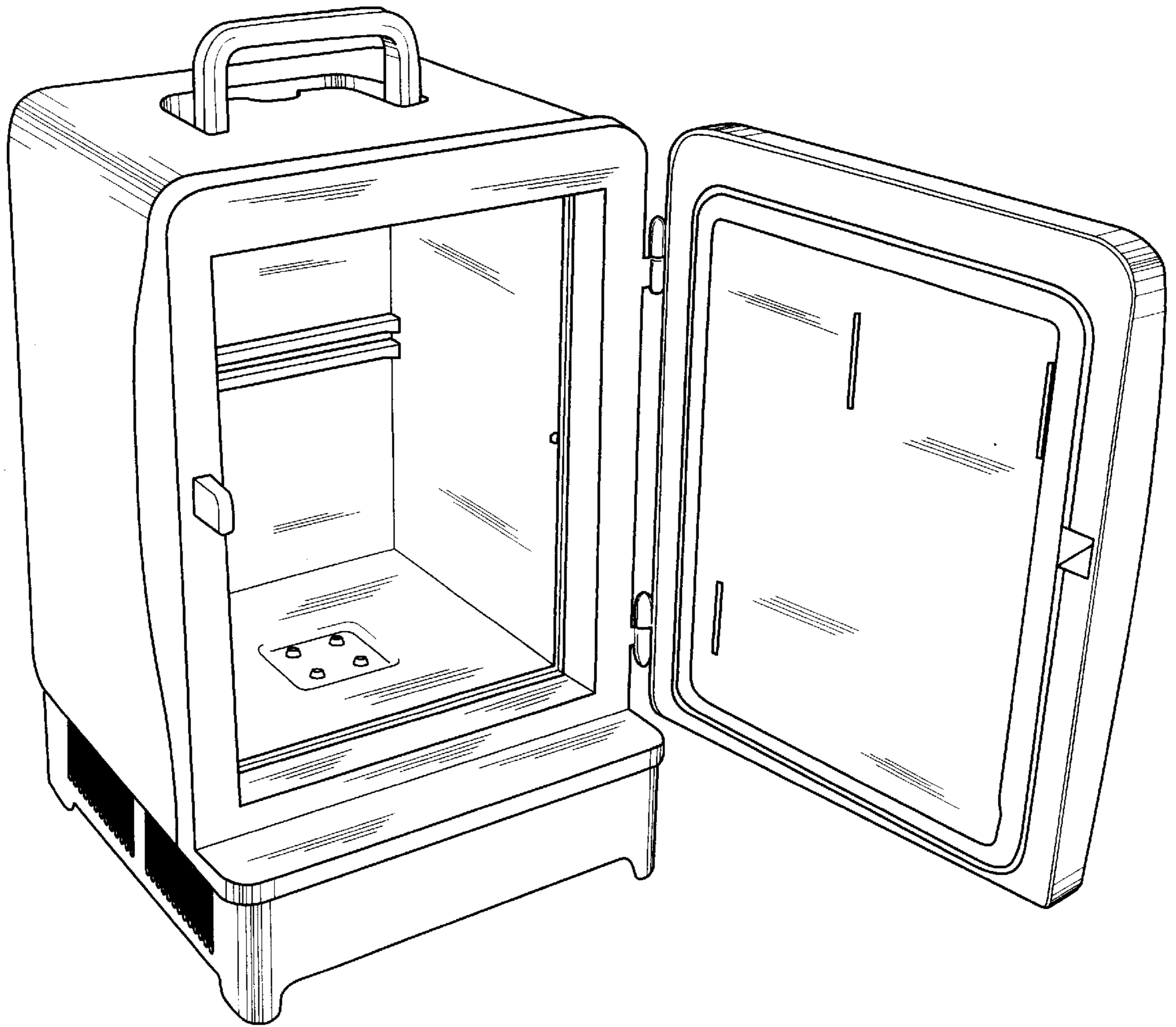


FIG. 9