



US00D474071S

(12) **United States Design Patent**  
**Wolk et al.**

(10) **Patent No.:** **US D474,071 S**

(45) **Date of Patent:** **\*\* May 6, 2003**

(54) **PATTERNED GRIDDLE PLATE**

D211,816 S 7/1968 Swett et al.

D309,549 S 7/1990 Stephens ..... D7/410

(75) Inventors: **Daniel Wolk**, Carmel, NY (US);  
**Howard I. Steinberg**, Shelton, CT  
(US); **Michelle M. Carillo**, Norwalk,  
CT (US)

\* cited by examiner

*Primary Examiner*—Caron D. Veynar

(74) *Attorney, Agent, or Firm*—Ohlandt, Greeley, Ruggiero  
& Perle, LLP

(73) Assignee: **Conair CIP, Inc.**, Stamford, CT (US)

(\*\*) Term: **14 Years**

(57) **CLAIM**

(21) Appl. No.: **29/162,771**

The ornamental design for a patterned griddle plate, as shown and described.

(22) Filed: **Jun. 21, 2002**

**DESCRIPTION**

(51) **LOC (7) Cl.** ..... **07-02**

(52) **U.S. Cl.** ..... **D7/410**

(58) **Field of Search** ..... D7/352, 410, 411;  
99/372, 376, 375

FIG. 1 is a perspective view of a patterned griddle plate according to the present invention;

FIG. 2 is a top plan view of the patterned griddle plate of FIG. 1;

FIG. 3 is a bottom plan view of the patterned griddle plate of FIG. 1;

FIG. 4 is a first side view, the opposite side view being symmetric thereto, of the patterned griddle plate of FIG. 1; and,

FIG. 5 is a second side view, ninety degrees from the front side view, the opposite side view being symmetric thereto, of the patterned griddle plate of FIG. 1.

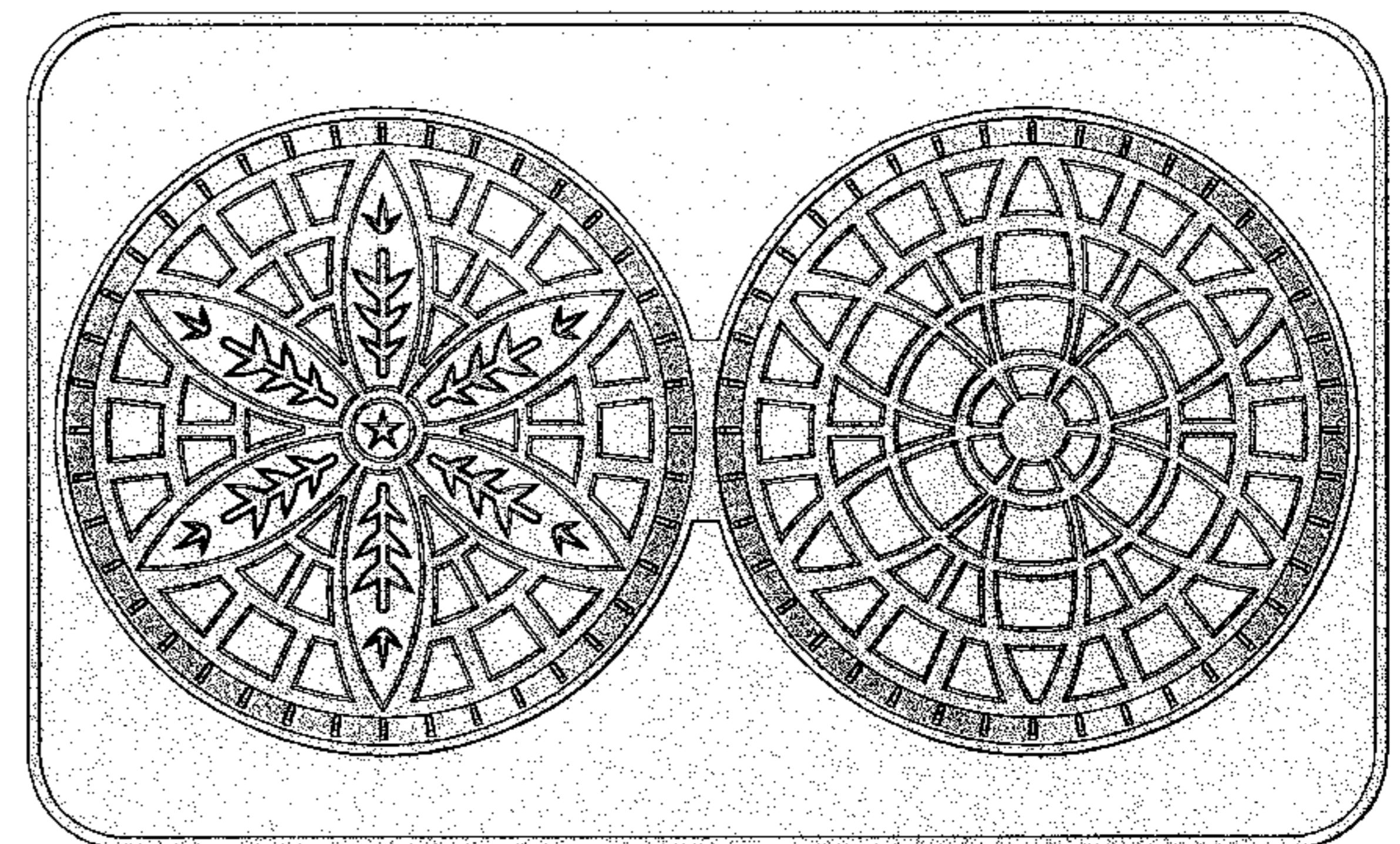
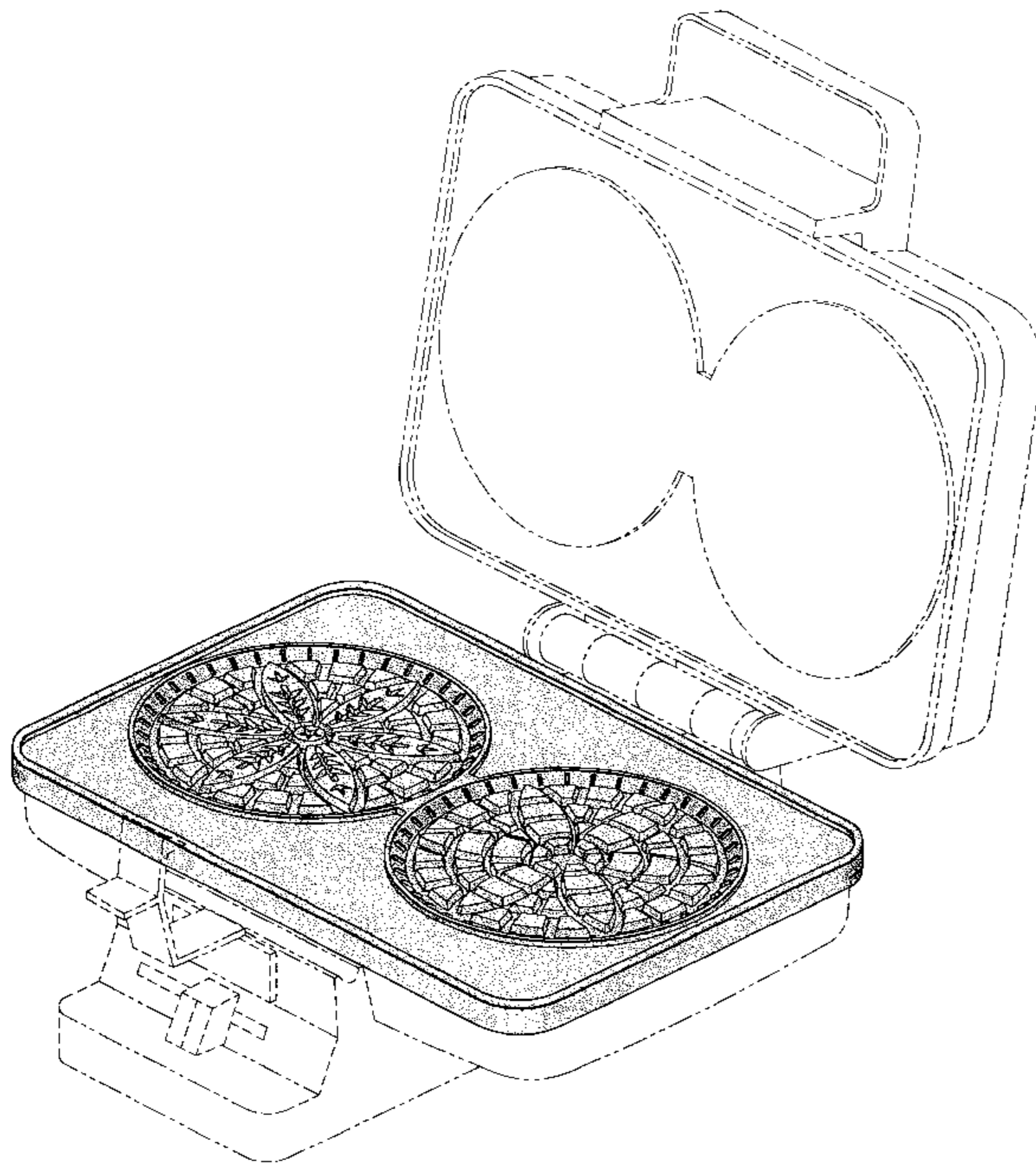
The broken lines are for illustrative purposes only and form no part of the claimed design.

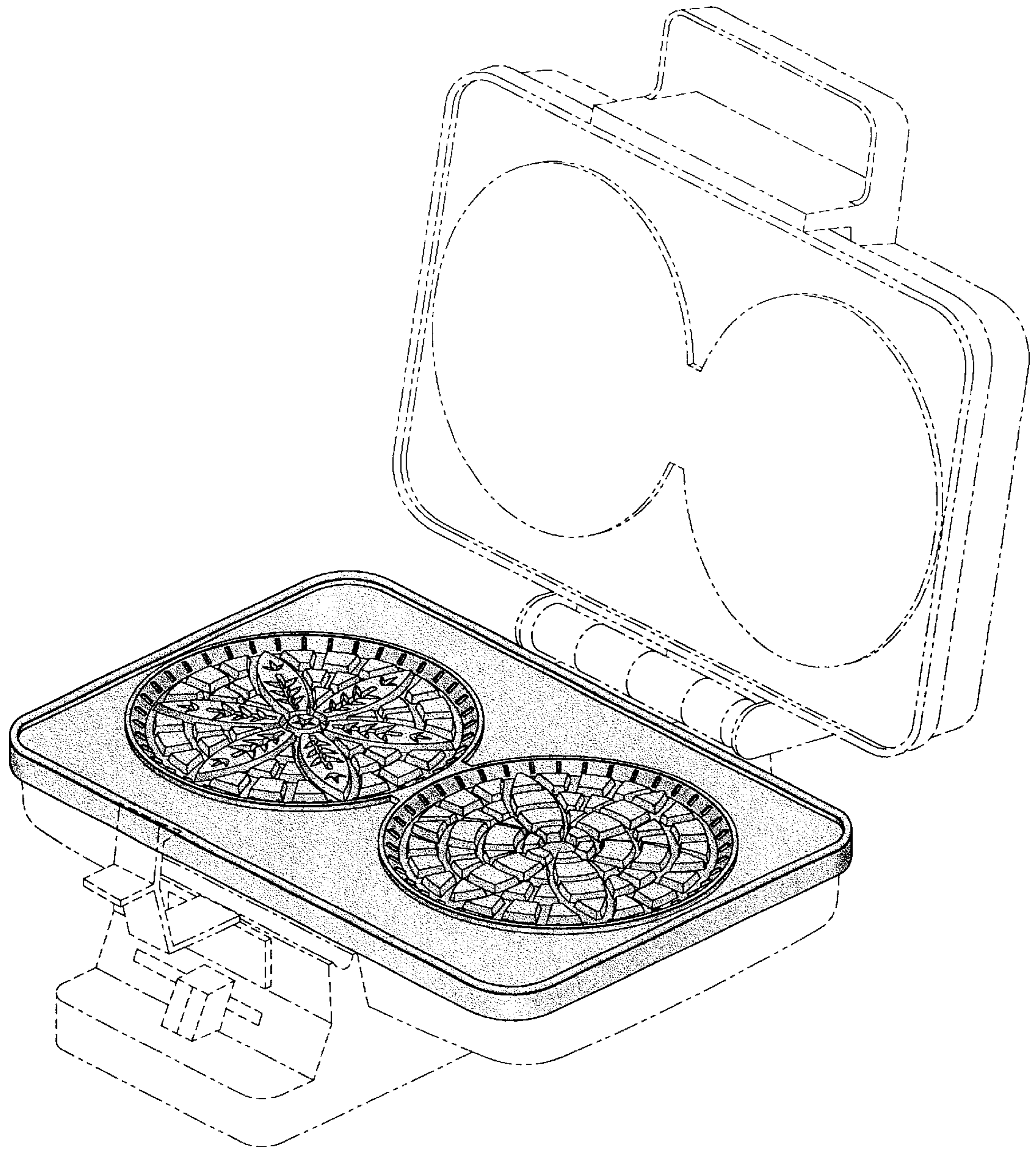
(56) **References Cited**

**U.S. PATENT DOCUMENTS**

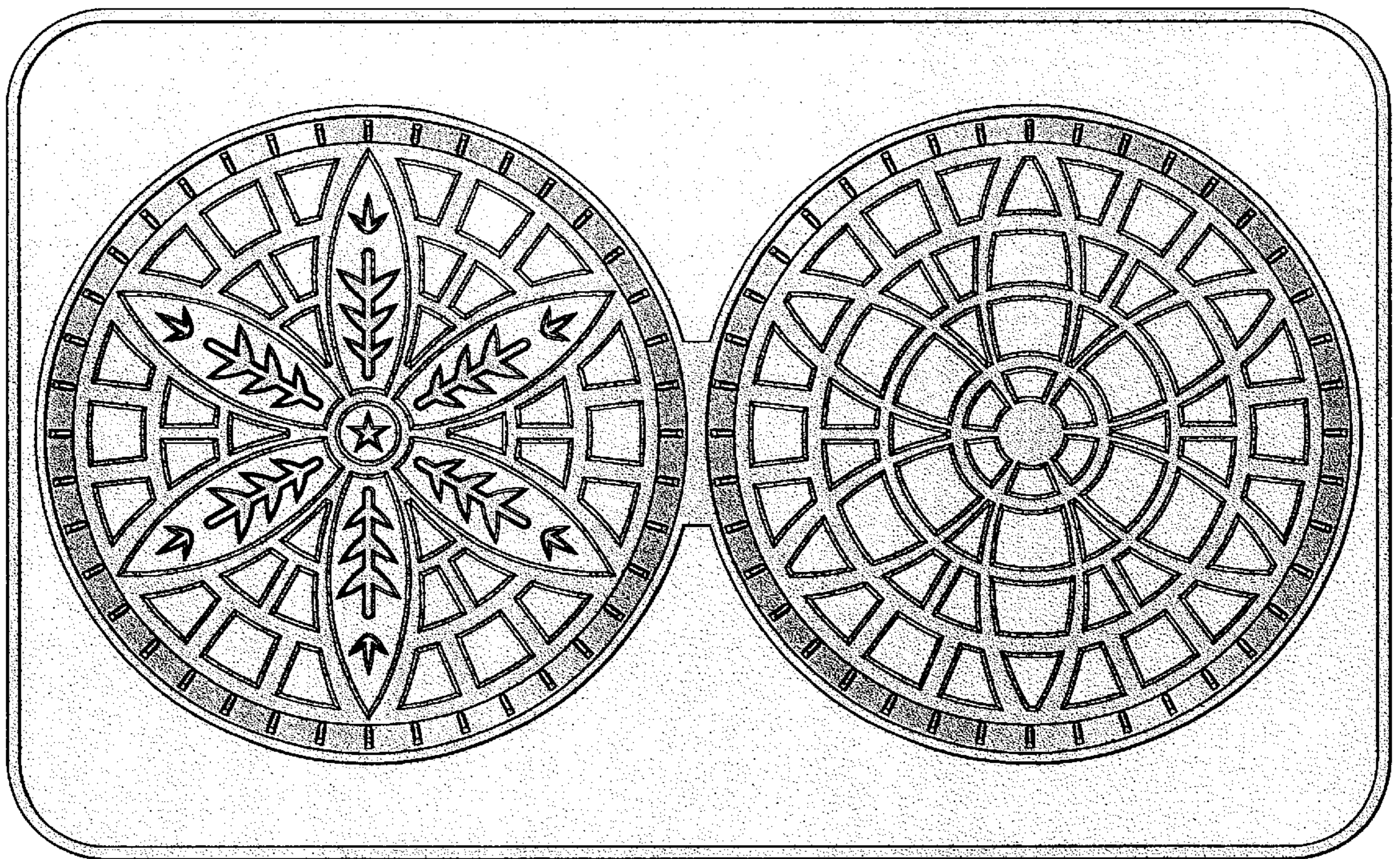
321,850 A	7/1885	Philbrick	
1,336,734 A *	4/1920	De Graff	99/375
D90,364 S	7/1933	Ganary	
D91,189 S	12/1933	Ganary	
2,276,005 A	3/1942	Vouvalidis	219/19
D151,078 S	9/1948	Severson et al.	D7/410
D176,434 S	12/1955	Vutantonio	
D179,087 S *	10/1956	Kelso	D7/352
D202,961 S *	11/1965	Carpenter	D7/410

**1 Claim, 4 Drawing Sheets**

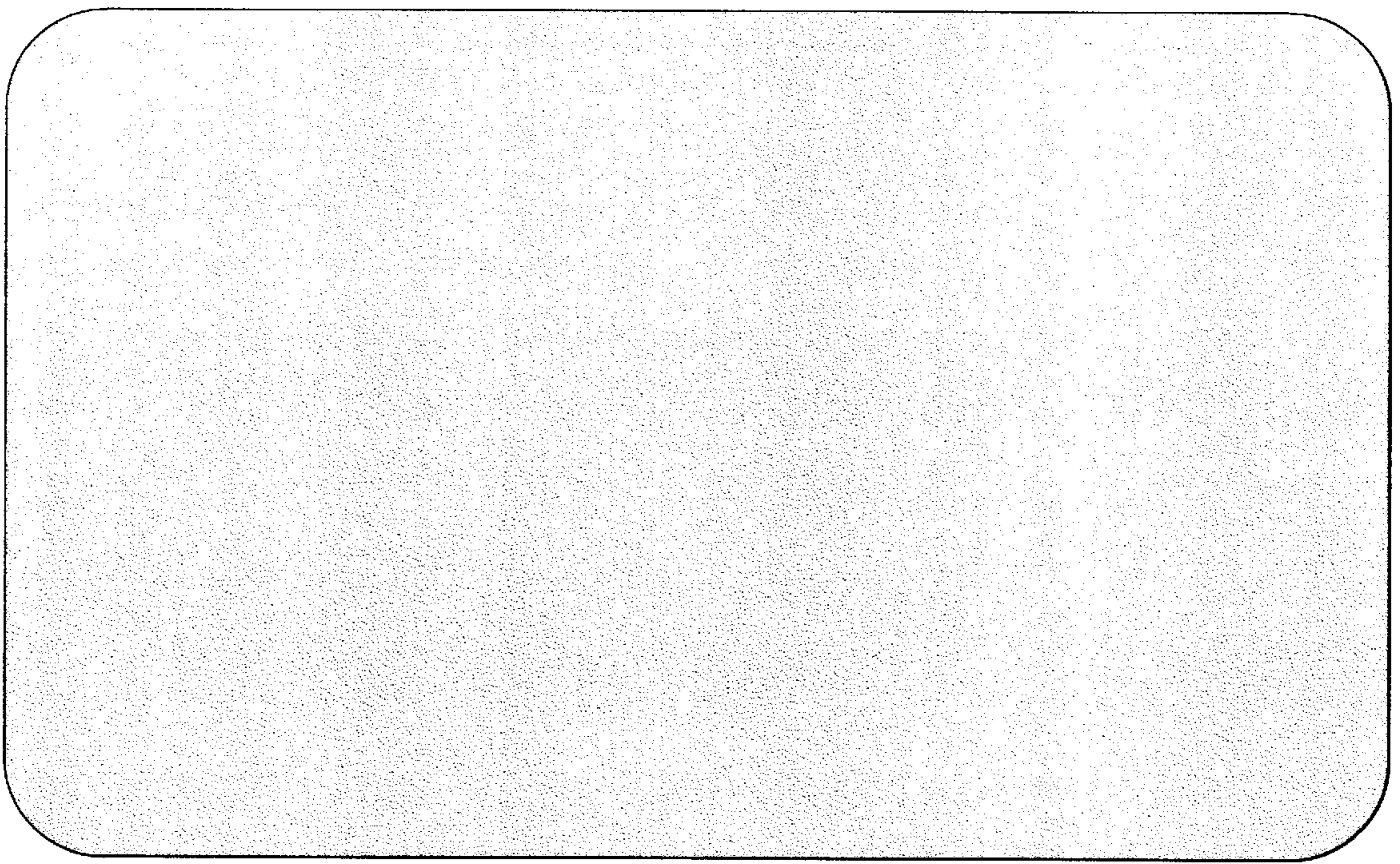




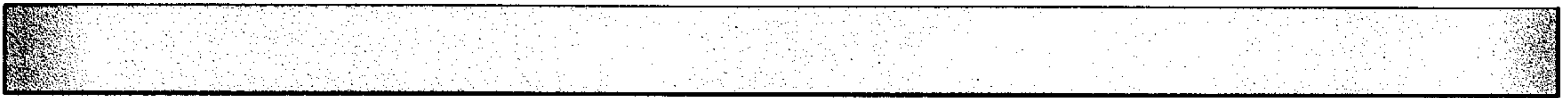
**FIG. 1**



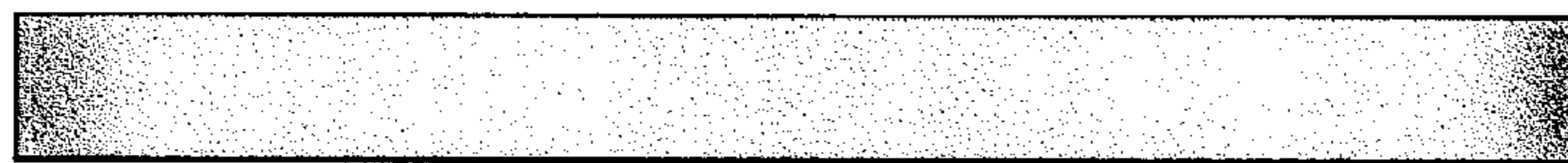
**FIG. 2**



***FIG. 3***



***FIG. 4***



***FIG. 5***