



US00D474067S

(12) **United States Design Patent** (10) **Patent No.:** **US D474,067 S**
Daniels, Jr. (45) **Date of Patent:** **** May 6, 2003**

(54) **BASE AND SPOUT FOR SMOOTHIE MAKER**

(76) Inventor: **Thomas E. Daniels, Jr.**, 11660 S. State St., Draper, UT (US) 84020

(**) Term: **14 Years**

(21) Appl. No.: **29/170,457**

(22) Filed: **Nov. 5, 2002**

Related U.S. Application Data

(63) Continuation of application No. 10/012,239, filed on Nov. 13, 2001.

(60) Provisional application No. 60/248,254, filed on Nov. 13, 2000.

(51) **LOC (7) Cl.** **31-00**

(52) **U.S. Cl.** **D7/386**

(58) **Field of Search** D7/376-386; 366/64, 366/197, 199, 205, 219, 241, 244, 314; 241/33, 301, 285.2

(56) **References Cited**

U.S. PATENT DOCUMENTS

- 1,412,536 A 4/1922 Mayer
- 1,874,079 A 8/1932 Black
- 2,066,997 A 1/1937 Mueller
- 2,070,545 A 2/1937 Gilbert
- 2,315,018 A 3/1943 Lawrence
- 2,785,547 A 3/1957 Barros
- D183,177 S * 7/1958 Oertli D7/378
- 2,945,634 A 7/1960 Beck et al.
- 3,088,345 A 5/1963 Campbell
- 3,107,711 A 10/1963 Azmus
- 3,346,029 A 10/1967 Harris
- 3,417,972 A 12/1968 Vincent
- 3,427,636 A 2/1969 Seifert
- 3,765,275 A 10/1973 Johnson
- 3,780,393 A 12/1973 Gaetke
- 3,895,548 A 7/1975 Sauve

- 3,920,224 A 11/1975 Fassauer
- 4,030,707 A 6/1977 Moreton
- 4,137,578 A 2/1979 Felici
- 4,201,487 A 5/1980 Backhaus
- 4,250,771 A 2/1981 Berler
- 4,268,080 A 5/1981 Lindley
- D269,471 S 6/1983 Auerbach
- 4,395,792 A 8/1983 Cosner
- 4,397,427 A 8/1983 Howard
- 4,513,688 A 4/1985 Fassauer
- 4,561,782 A 12/1985 Jacobsen et al.
- 5,302,021 A 4/1994 Jennett et al.
- D370,151 S * 5/1996 McLinden et al. D7/378
- 2001/0006486 A1 7/2001 Ofverberg
- 2002/0080678 A1 * 6/2002 Daniels, Jr. 366/205

OTHER PUBLICATIONS

The Chef's Catalog; Fall 2002, p. 18 Smoothie pro 600, bottom left of page.*

* cited by examiner

Primary Examiner—Caron D. Veynar

(74) *Attorney, Agent, or Firm*—Thorpe North & Western

(57) **CLAIM**

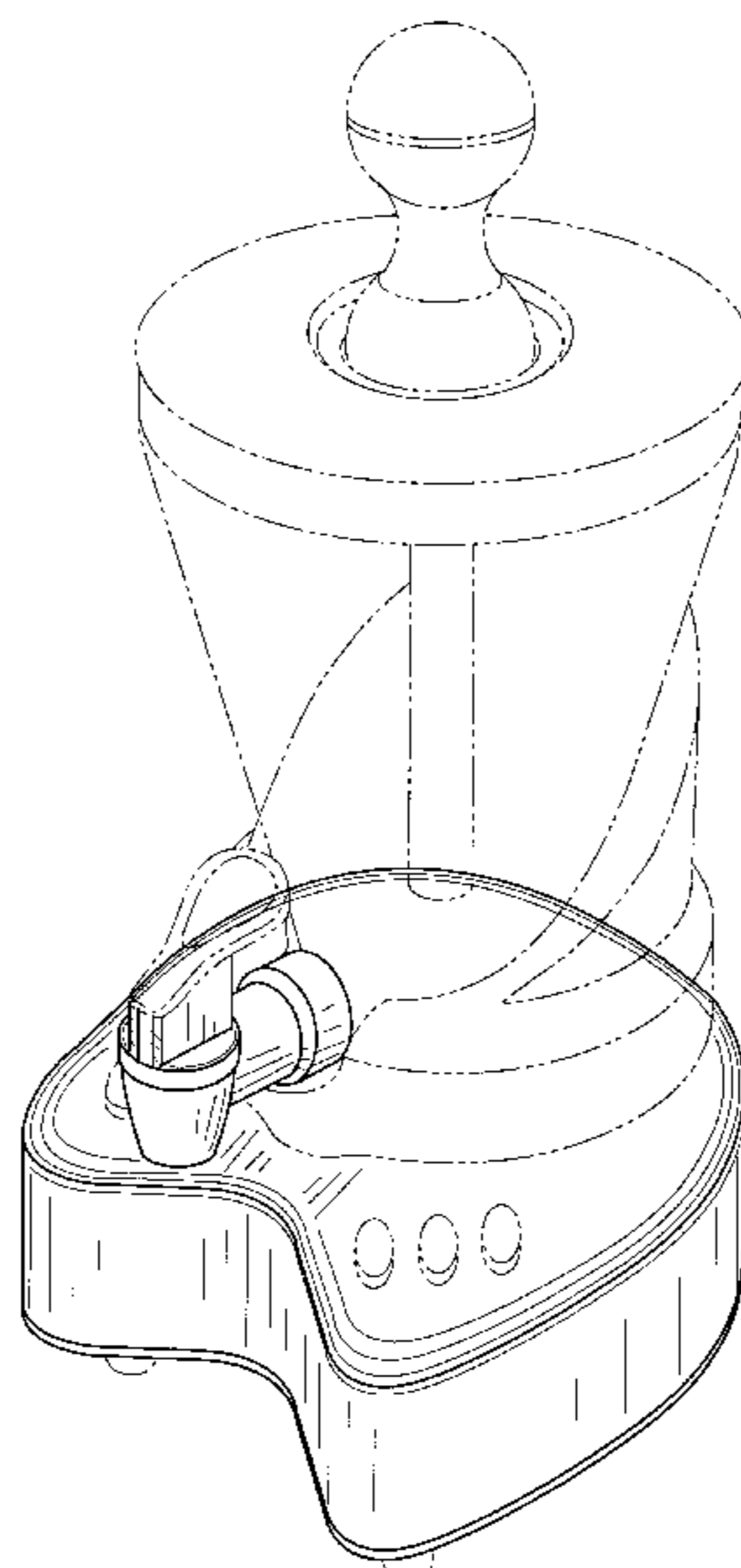
The ornamental design for a base and spout for smoothie maker, as shown and described.

DESCRIPTION

FIG. 1 is an elevated, perspective view of the base and spout for smoothie maker in accordance with my invention; FIG. 2 is a front elevation view thereof; FIG. 3 is a back elevation view thereof; FIG. 4 is a left side elevation view thereof; FIG. 5 is a right side elevation view thereof; FIG. 6 is a top plan view thereof; and, FIG. 7 is a bottom plan view thereof.

The broken lines shown in FIGS. 1-7 are for illustrative purposes only and form no part of the claimed design.

1 Claim, 7 Drawing Sheets



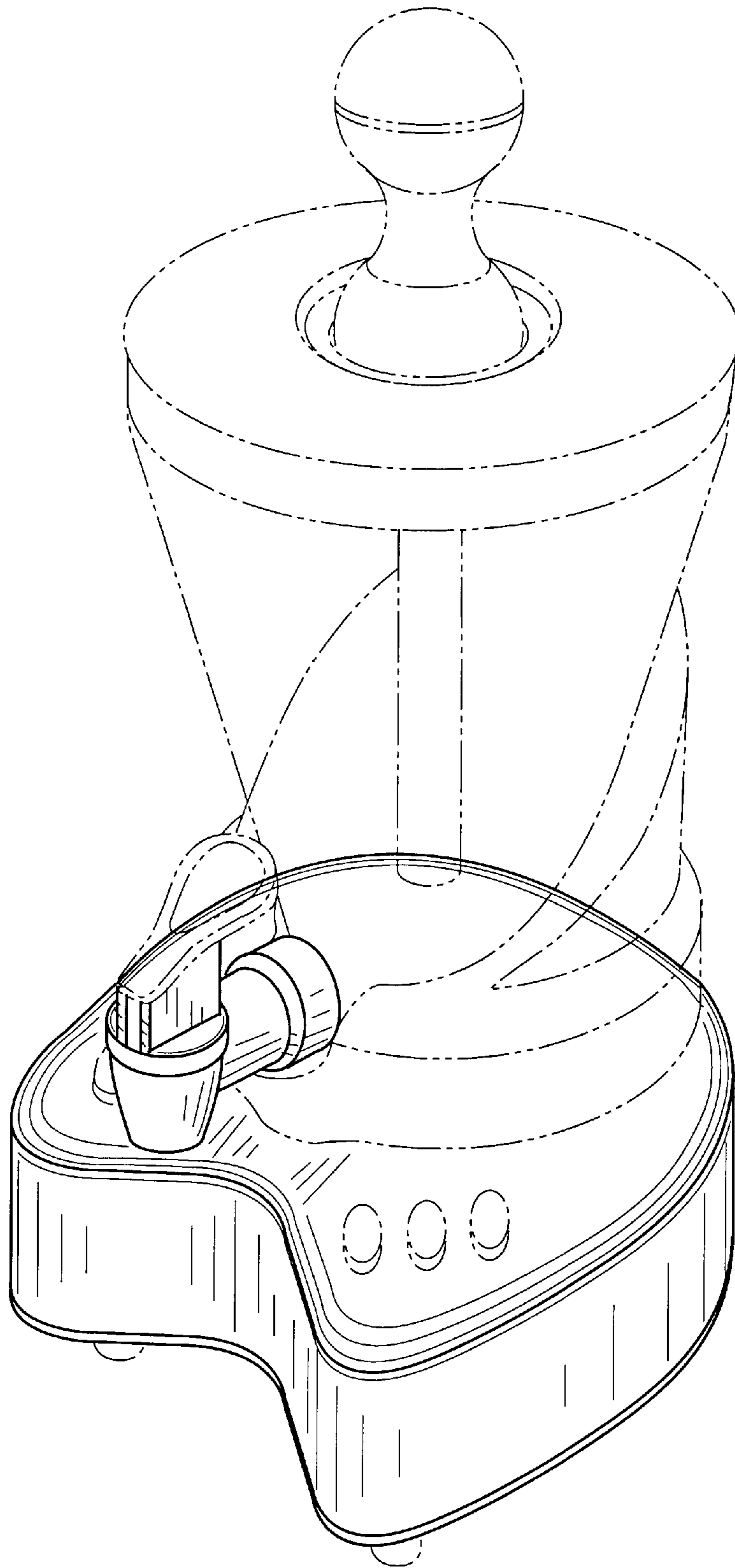


Fig. 1

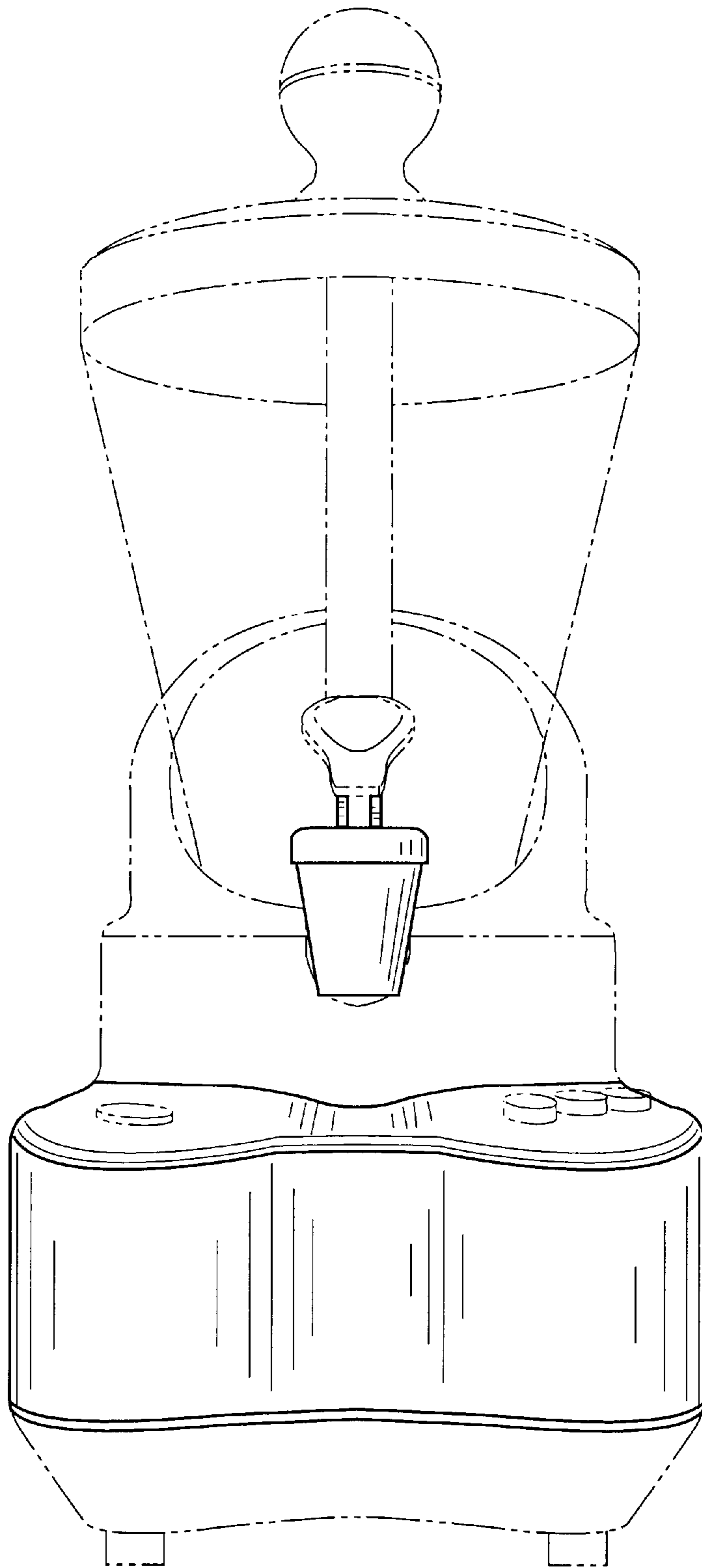


Fig. 2

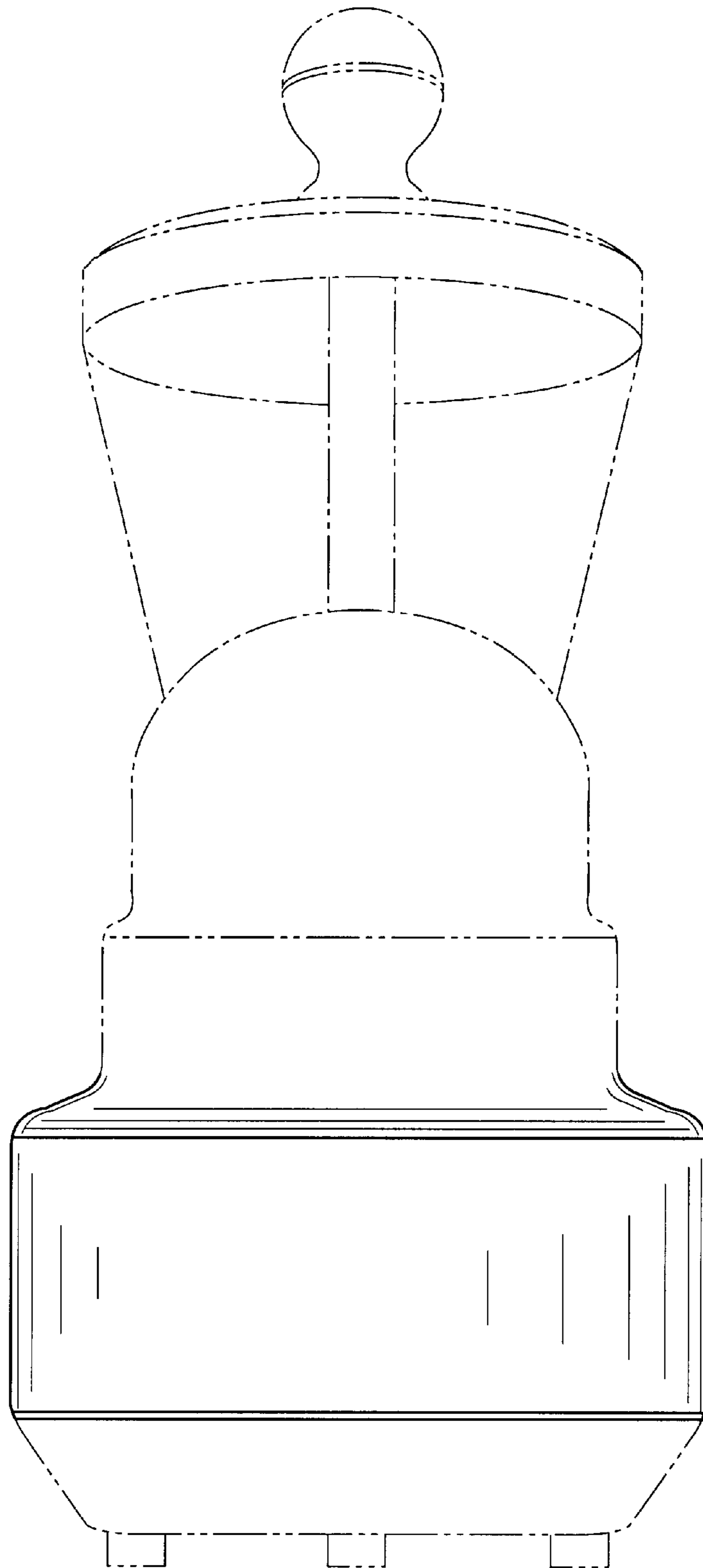


Fig. 3

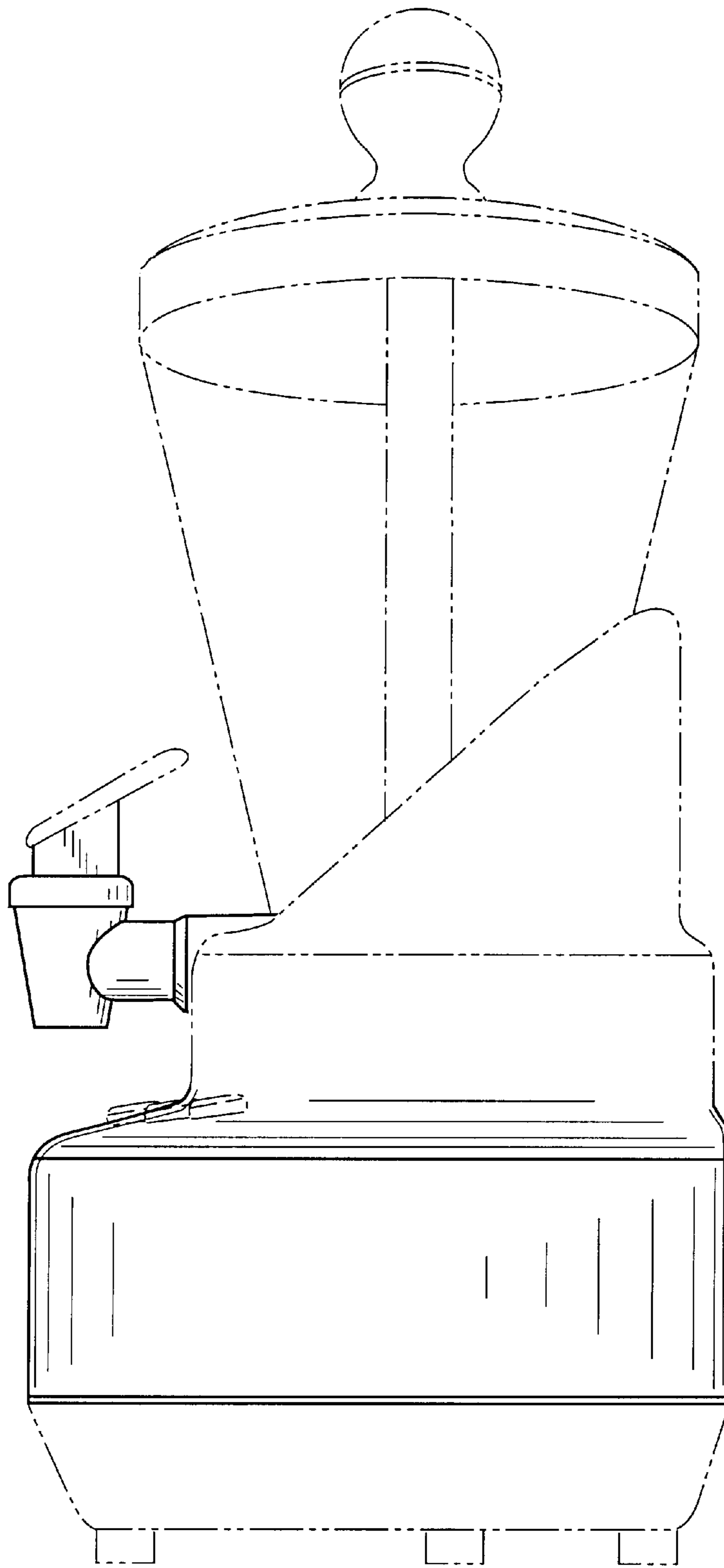


Fig. 4

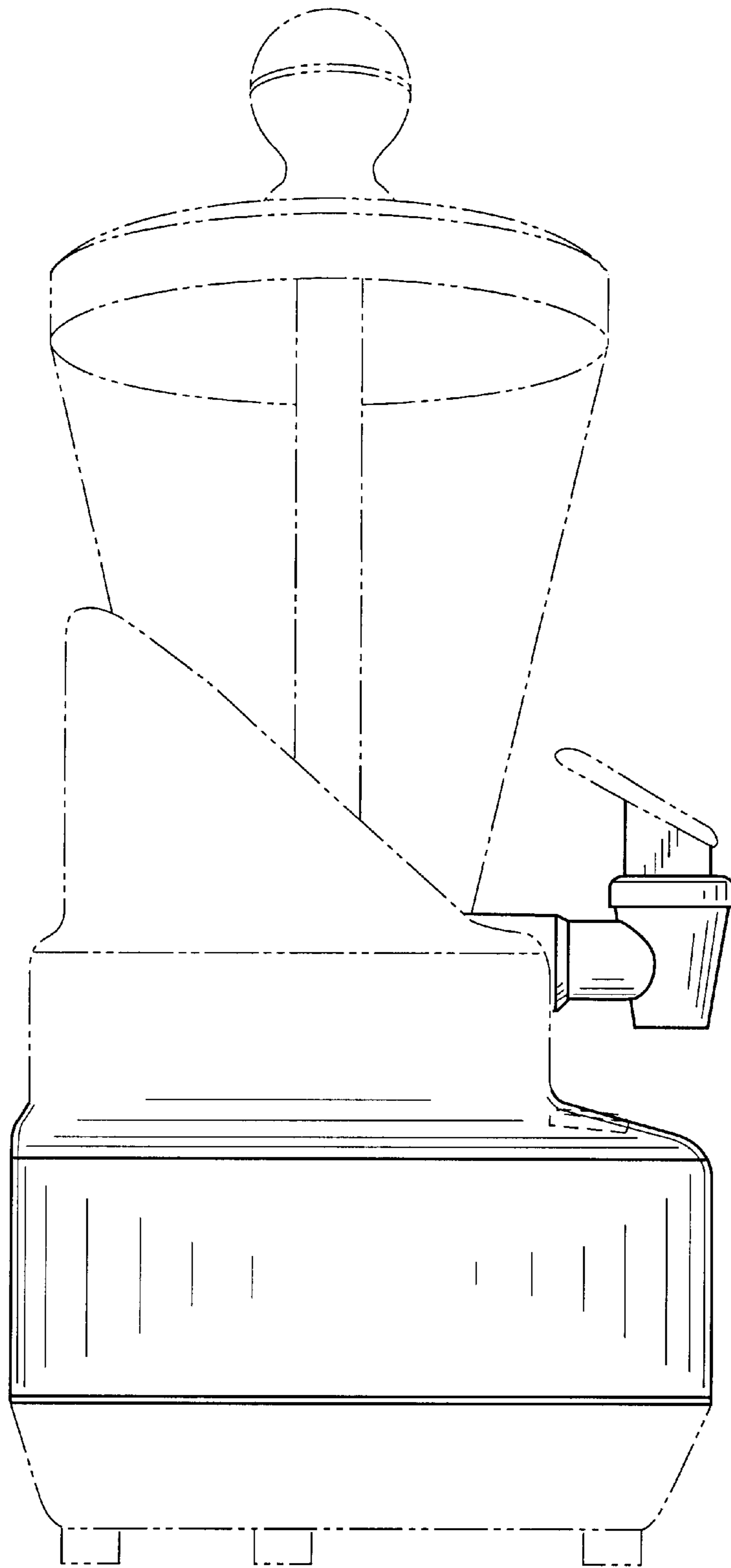


Fig. 5

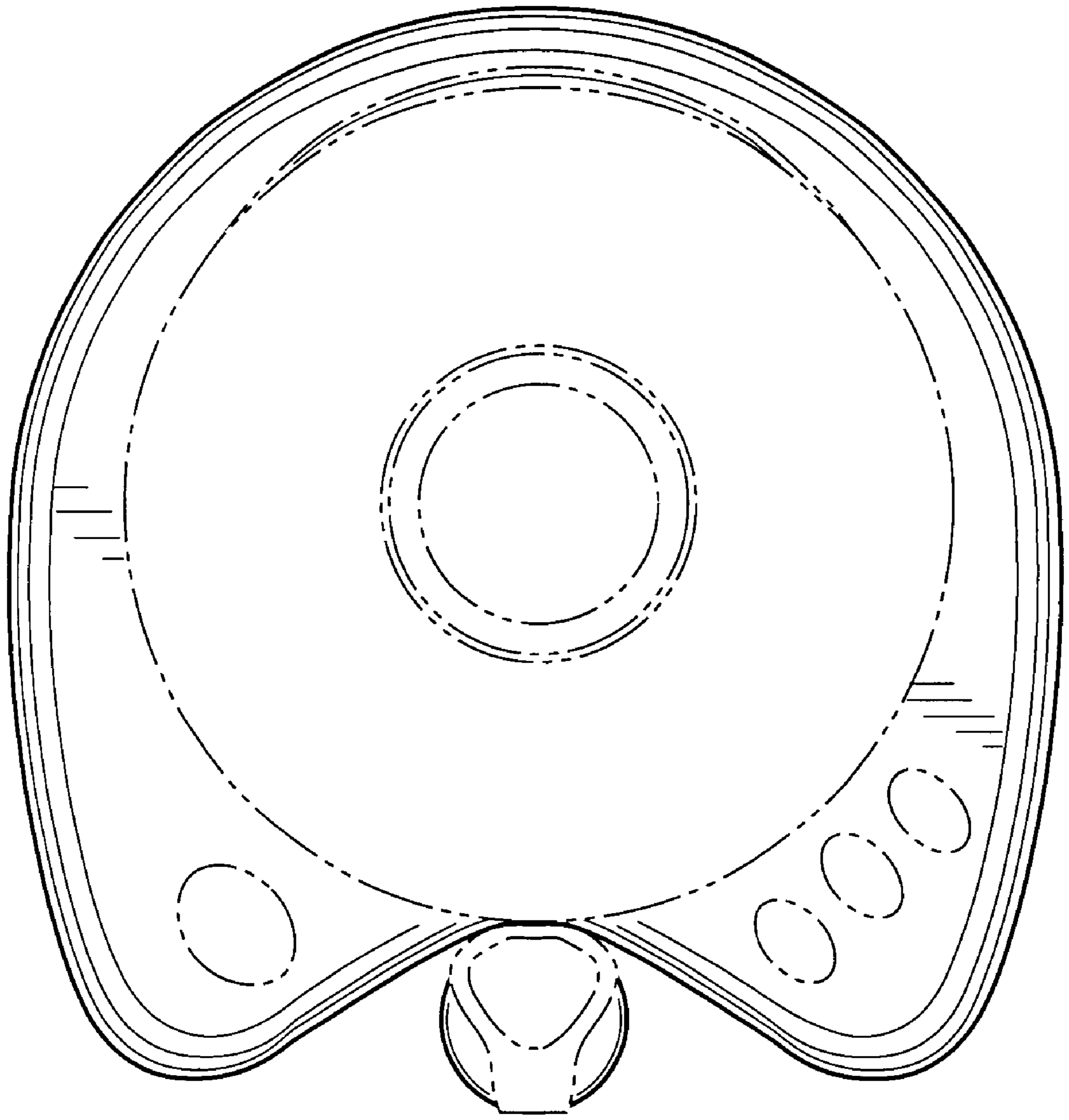


Fig. 6

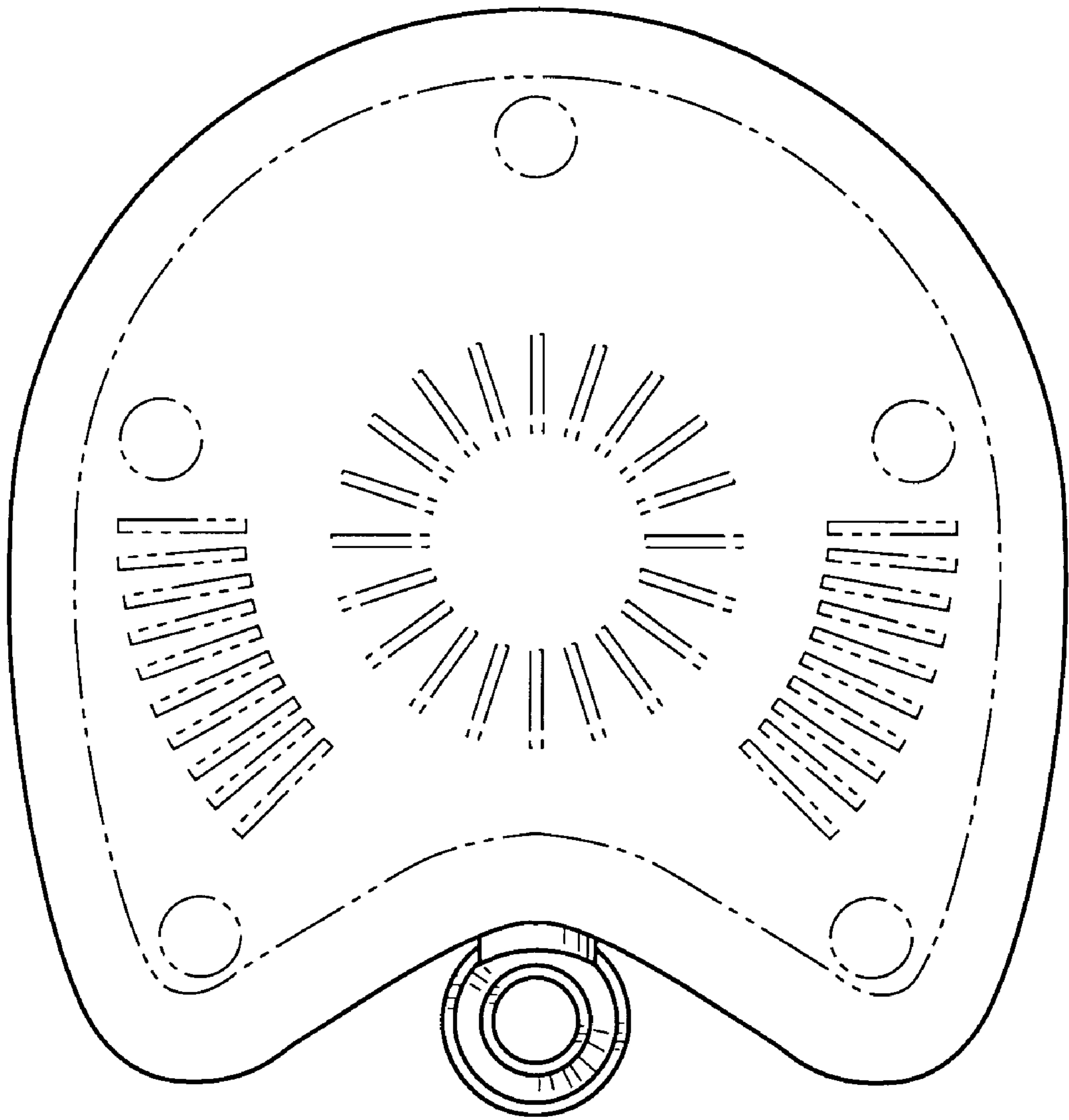


Fig. 7