



US00D474066S

(12) **United States Design Patent**
Morton et al.

(10) **Patent No.:** **US D474,066 S**

(45) **Date of Patent:** **** *May 6, 2003**

(54) **BLENDER**

D347,966 S * 6/1994 Doggett D7/378
D444,995 S * 7/2001 Thackray D7/386

(75) Inventors: **Michael Morton**, Boca Raton, FL (US); **Allan Cameron**, South Natick, MA (US); **Ann Sullivan**, Waltham, MA (US); **Cyan Godfrey**, Singapore (SG); **David Malina**, Boston, MA (US); **Augusto A. Picozza**, Boca Raton, FL (US)

* cited by examiner

Primary Examiner—Caron D. Veynar
(74) *Attorney, Agent, or Firm*—Kramer, Levin, Naftalis & Frankel, LLP

(73) Assignee: **Sunbeam Products, Inc.**, Boca Raton, FL (US)

(57) **CLAIM**

The ornamental design for a blender, as shown and described.

(*) Notice: This patent is subject to a terminal disclaimer.

DESCRIPTION

(**) Term: **14 Years**

FIG. 1 is a front perspective view showing the new design; FIG. 2 is a side elevation view thereof; and FIG. 3 is a front elevation view thereof; FIG. 4 is a side elevation view opposite the side shown in FIG. 2; FIG. 5 is a top plan view thereof; and, FIG. 6 is a bottom plan view thereof.

(21) Appl. No.: **29/139,563**

(22) Filed: **Apr. 2, 2001**

(51) **LOC (7) Cl.** **31-00**

(52) **U.S. Cl.** **D7/386**

(58) **Field of Search** D7/381–386; 366/197, 366/199, 205, 241, 244–247, 251, 314; 318/811

The broken lines shown in FIGS. 1–6 are for illustrative purposes only and form no part of the claimed design.

(56) **References Cited**

U.S. PATENT DOCUMENTS

D259,133 S * 5/1981 Klawitter D7/378 X

1 Claim, 3 Drawing Sheets

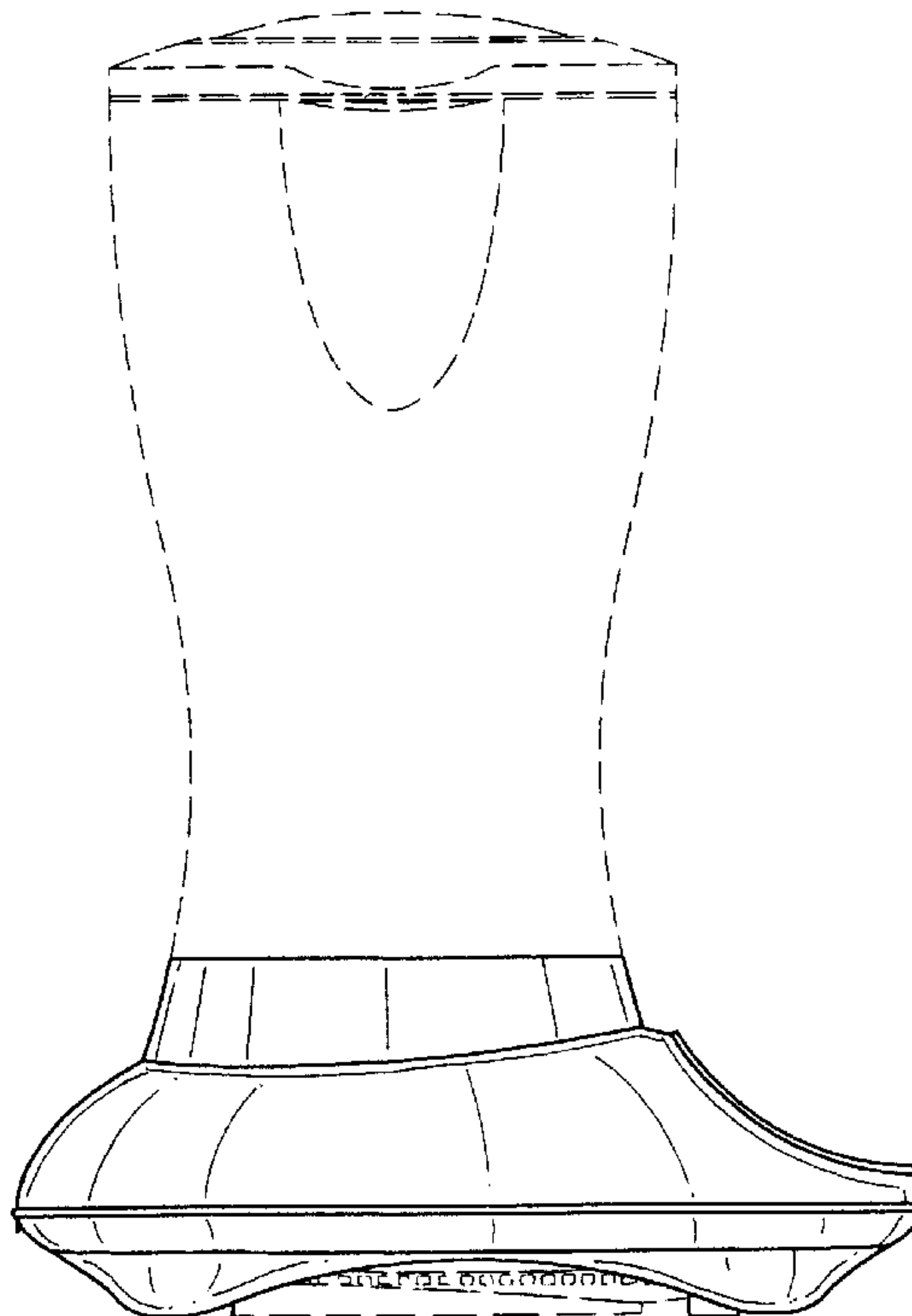
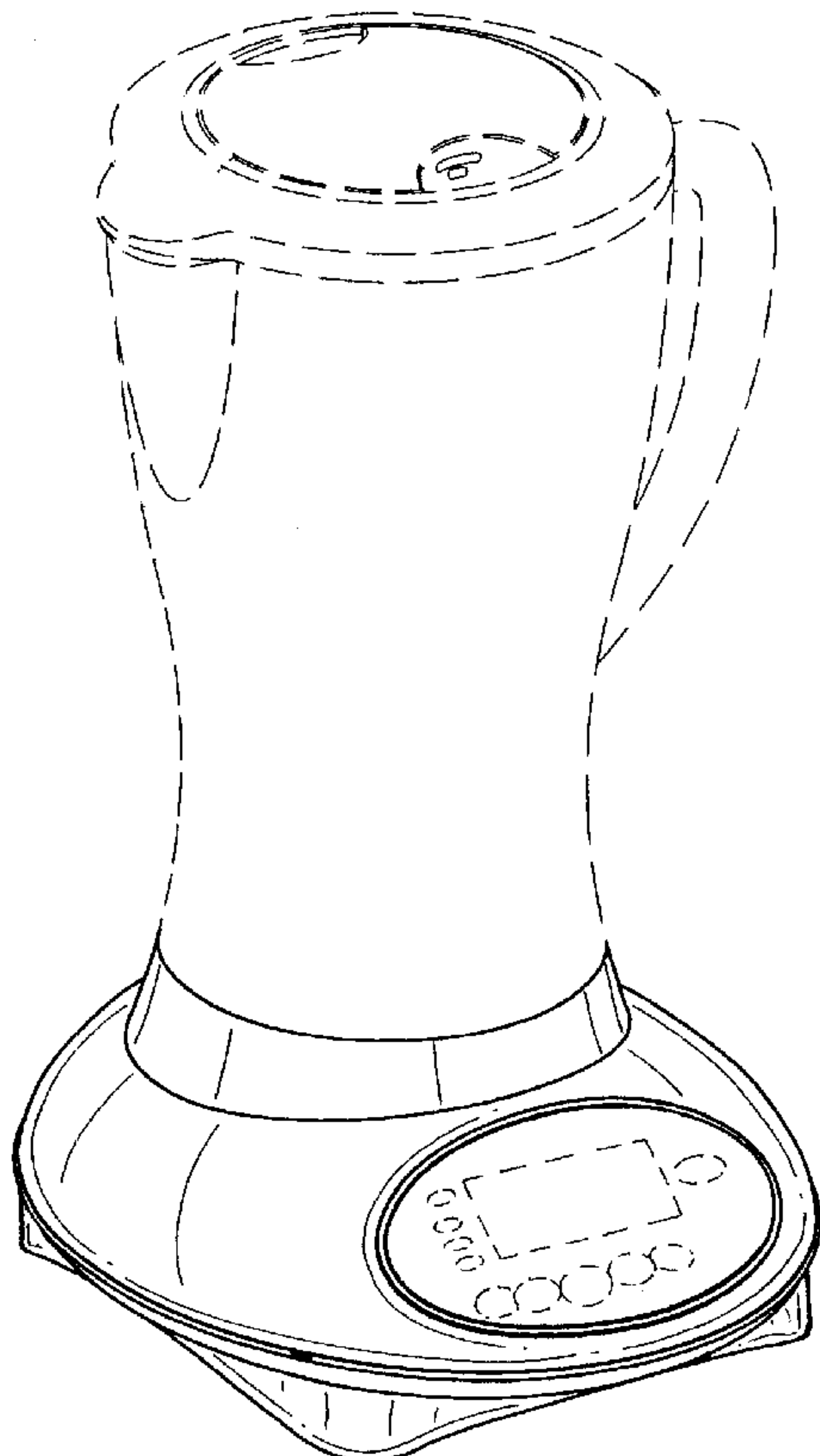


FIG. 1

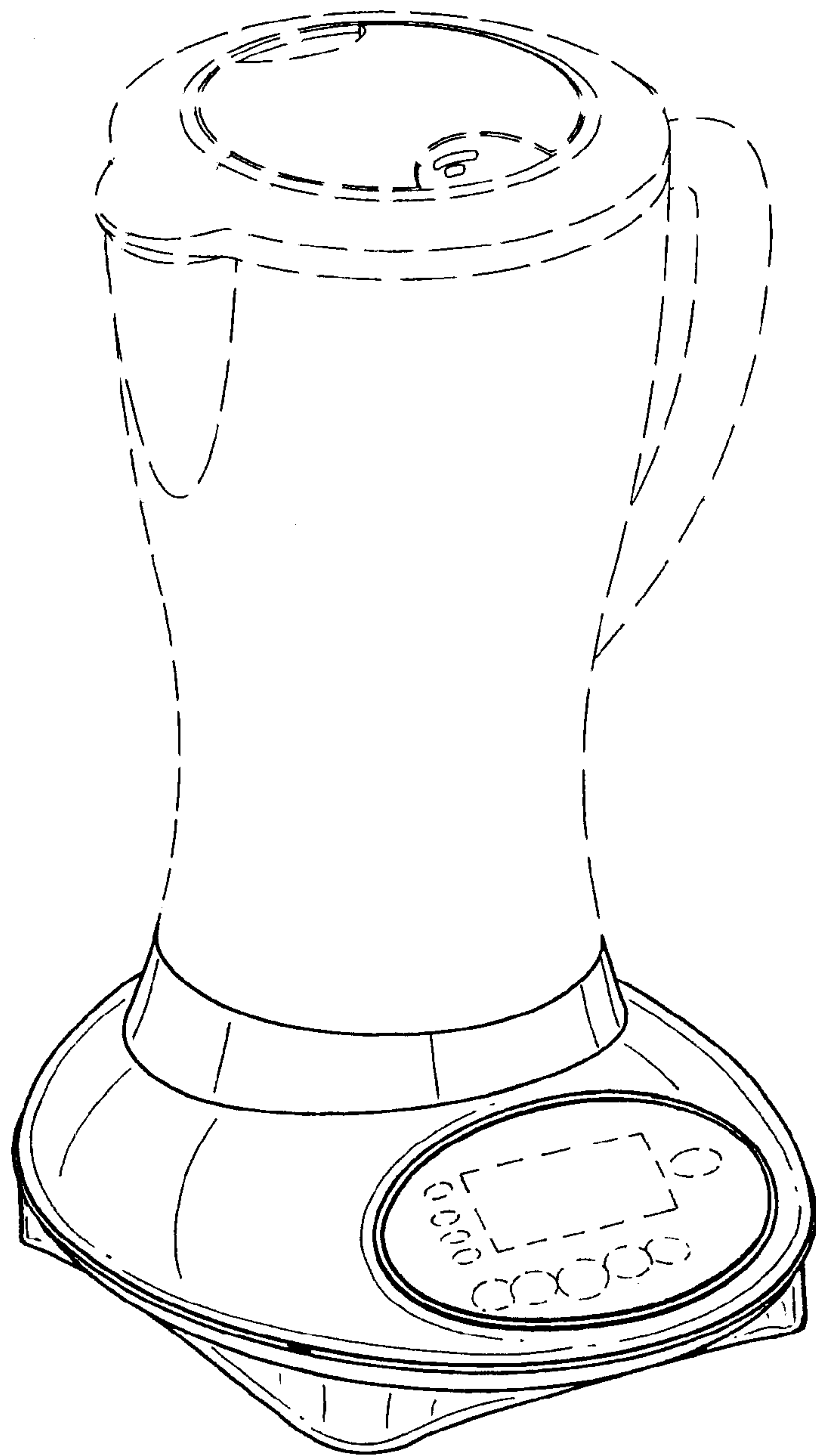


FIG. 4

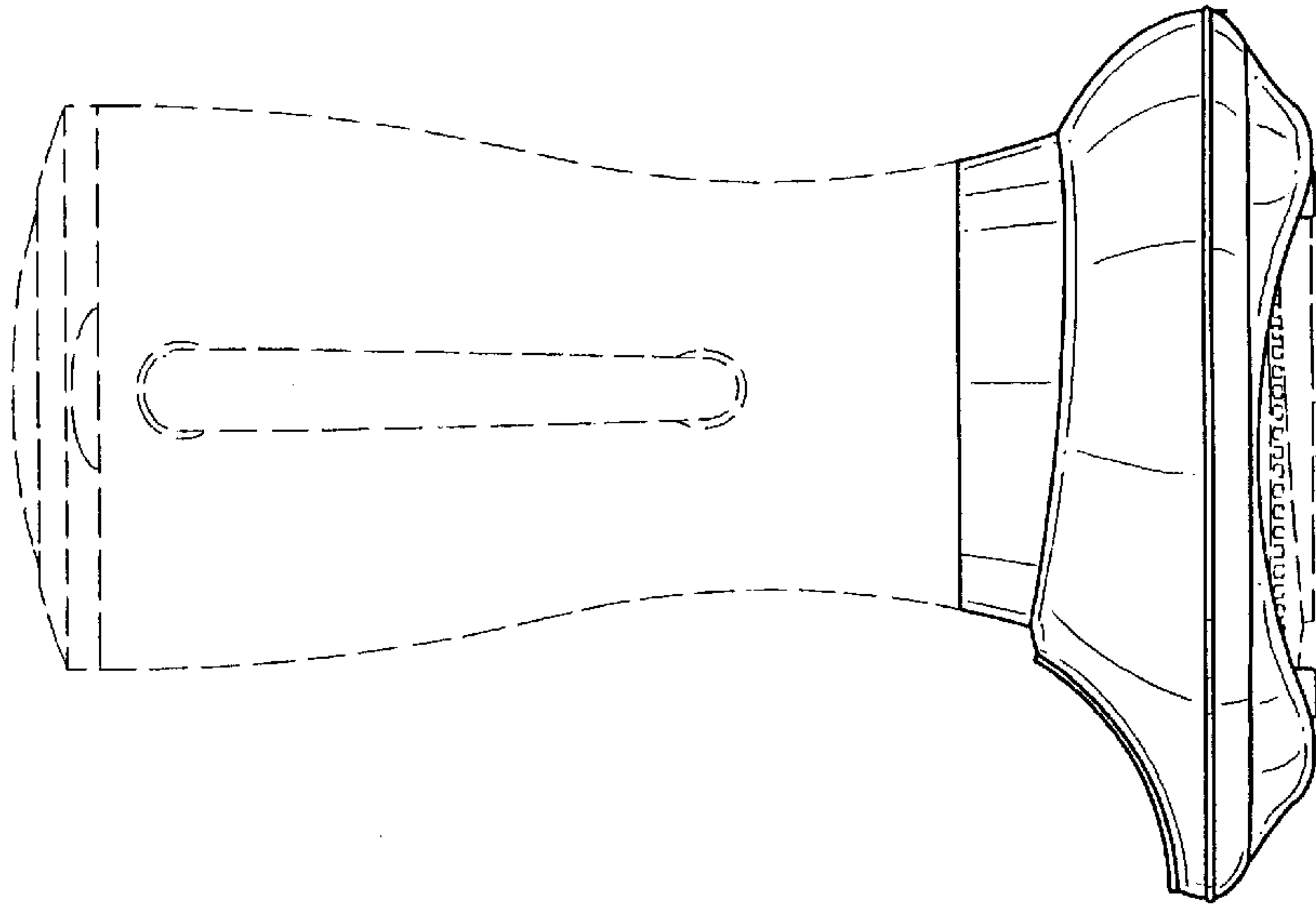


FIG. 3

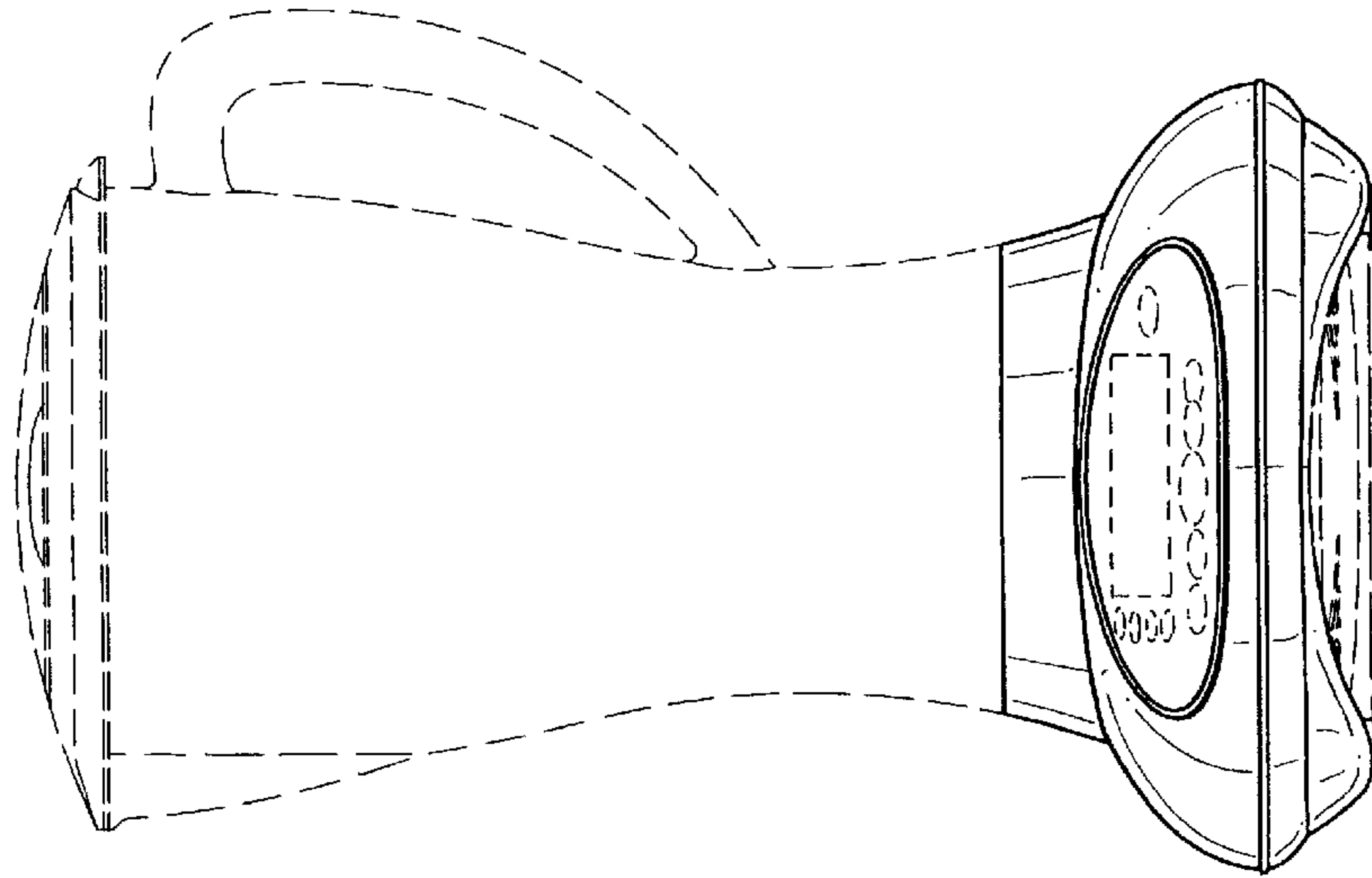


FIG. 2

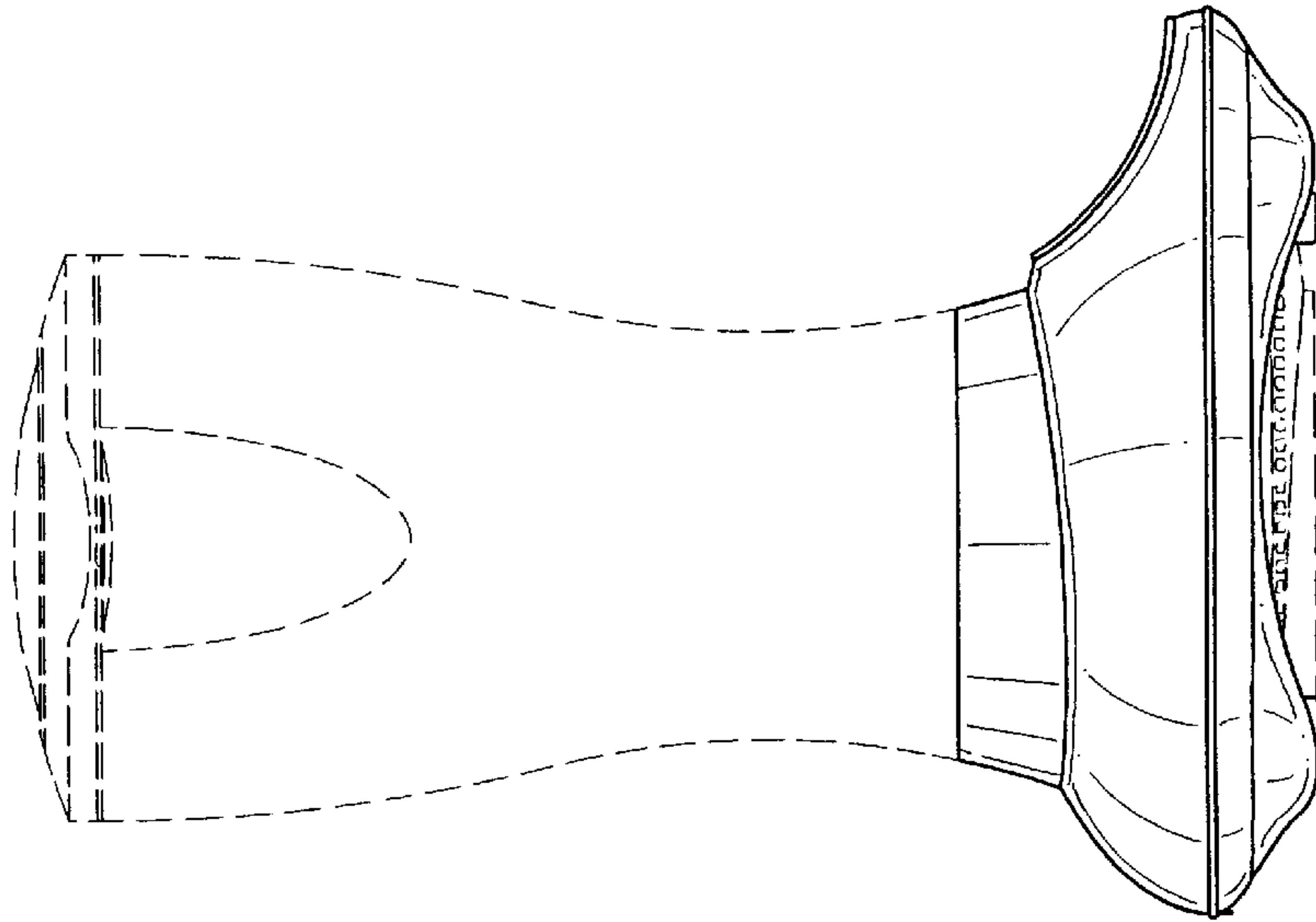


FIG. 5

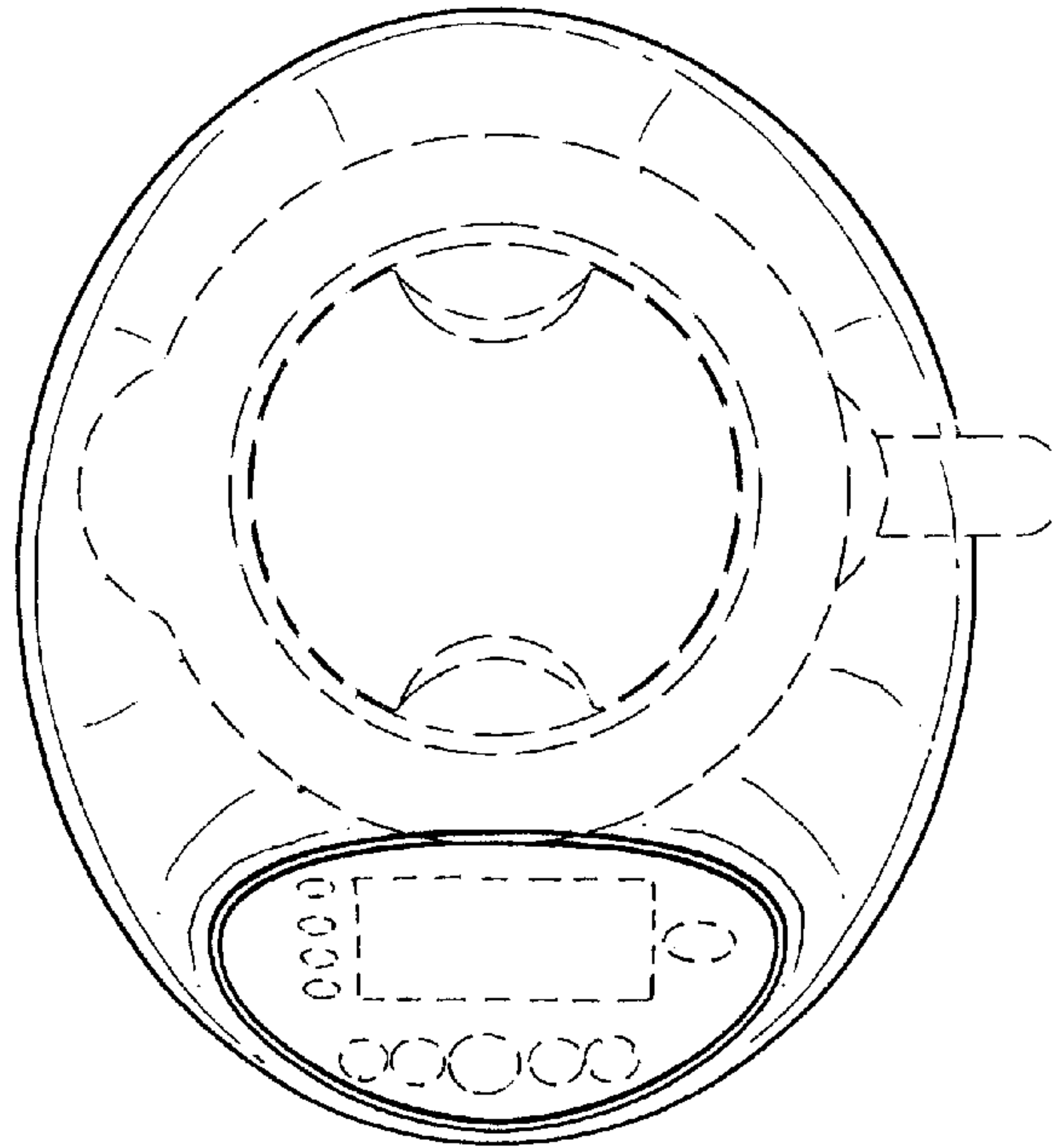


FIG. 6

