



US00D474064S

(12) **United States Design Patent**
Dover et al.

(10) **Patent No.:** **US D474,064 S**

(45) **Date of Patent:** **** May 6, 2003**

(54) **LAMINATED BAKING TRAY**

(75) Inventors: **Robert L. Dover**, Marietta, GA (US);
Lelia Francisco, Stockbridge, GA (US);
William Max Rynor, Woodstock, GA (US)

(73) Assignee: **Laminating Technologies Inc.**, Canton, GA (US)

(**) Term: **14 Years**

(21) Appl. No.: **29/101,442**

(22) Filed: **Mar. 4, 1999**

Related U.S. Application Data

(63) Continuation of application No. 09/234,344, filed on Jan. 19, 1999, now abandoned, which is a continuation of application No. 08/844,284, filed on Apr. 18, 1997, now abandoned.

(51) **LOC (7) Cl.** **07-02**

(52) **U.S. Cl.** **D7/354**

(58) **Field of Search** D7/323, 354-361;
D9/430, 432, 433; 229/108, 186-188

(56) **References Cited**

U.S. PATENT DOCUMENTS

- 1,003,510 A * 9/1911 Reber 229/166
- 2,917,218 A * 12/1959 Guyer 229/125.19
- 3,186,585 A * 6/1965 Denny 206/511
- 3,246,829 A * 4/1966 Sexton 229/228
- 3,531,041 A * 9/1970 Rohde 229/117.12
- 3,825,169 A * 7/1974 Meyers 229/171
- 4,114,797 A * 9/1978 Manizza 229/169

- 4,119,265 A * 10/1978 Dlugopolski 229/154
- 4,208,007 A * 6/1980 Bamberg et al. 229/114
- 4,632,302 A * 12/1986 Manizza 229/171
- D377,294 S * 1/1997 Brady D7/554.3
- D423,359 S * 4/2000 MacLean et al. D9/456
- 6,164,478 A * 12/2000 Cant 220/62.1

* cited by examiner

Primary Examiner—Caron D. Veynar

(74) *Attorney, Agent, or Firm*—Thomas, Kayden, Horstemeyer & Risley LLP

(57) **CLAIM**

The ornamental design for a laminated baking tray, as shown and described.

DESCRIPTION

FIG. 1 shows a perspective view of the laminated baking tray of the present invention.

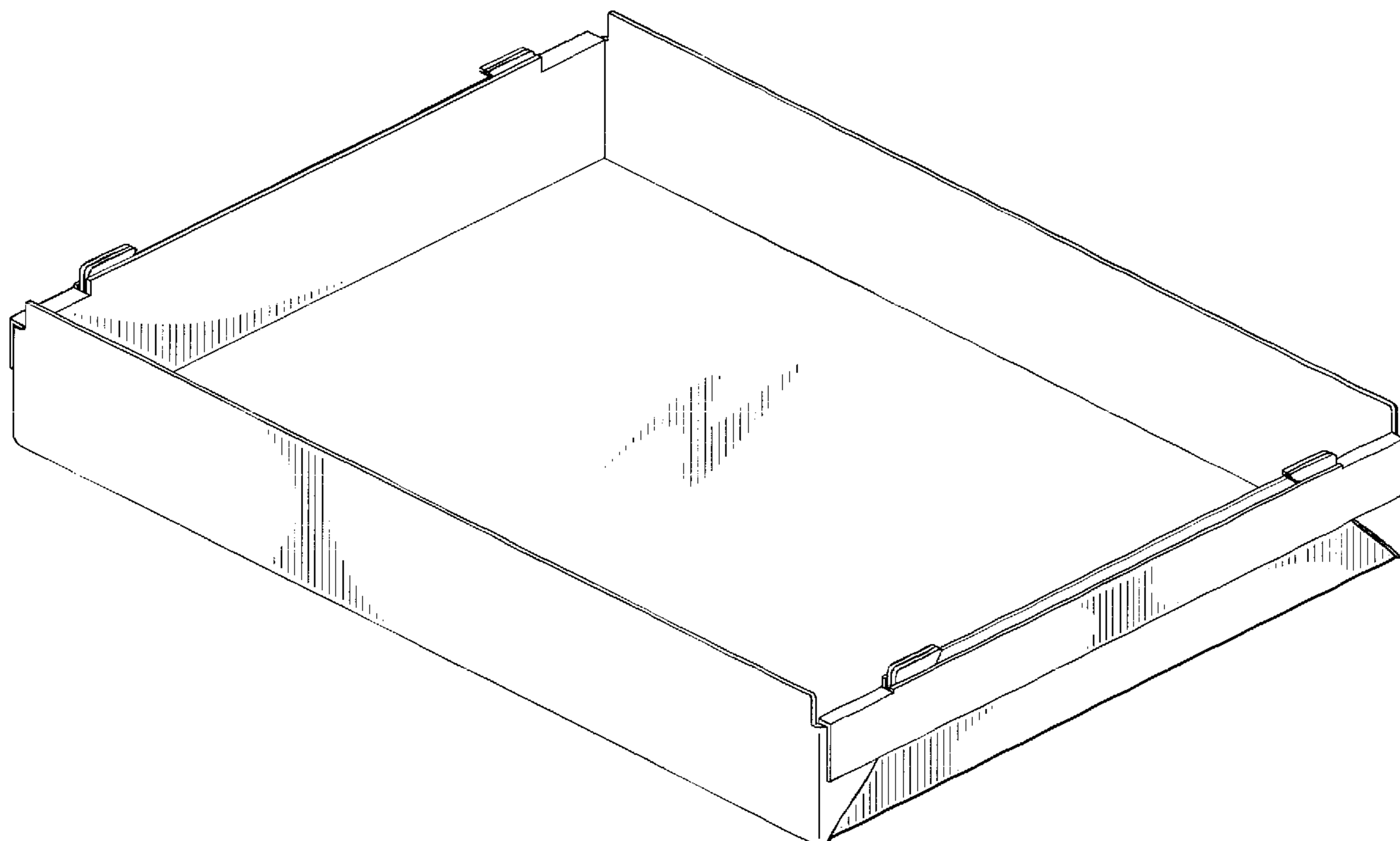
FIG. 2 shows a side view of the laminated baking tray of the present invention. The other side of the laminated baking tray is identical to the side shown in FIG. 2, and, thus, no second side view is presented.

FIG. 3 shows an end view of the laminated baking tray of the present invention. The other end of the laminated baking tray is identical to the end shown in FIG. 3, and, thus, no second end view is presented; and,

FIG. 4 shows a top view of the laminated baking tray of the present invention.

The bottom of the laminated baking tray of the present invention is plain and unornamental, and, thus, no bottom view is presented.

1 Claim, 3 Drawing Sheets



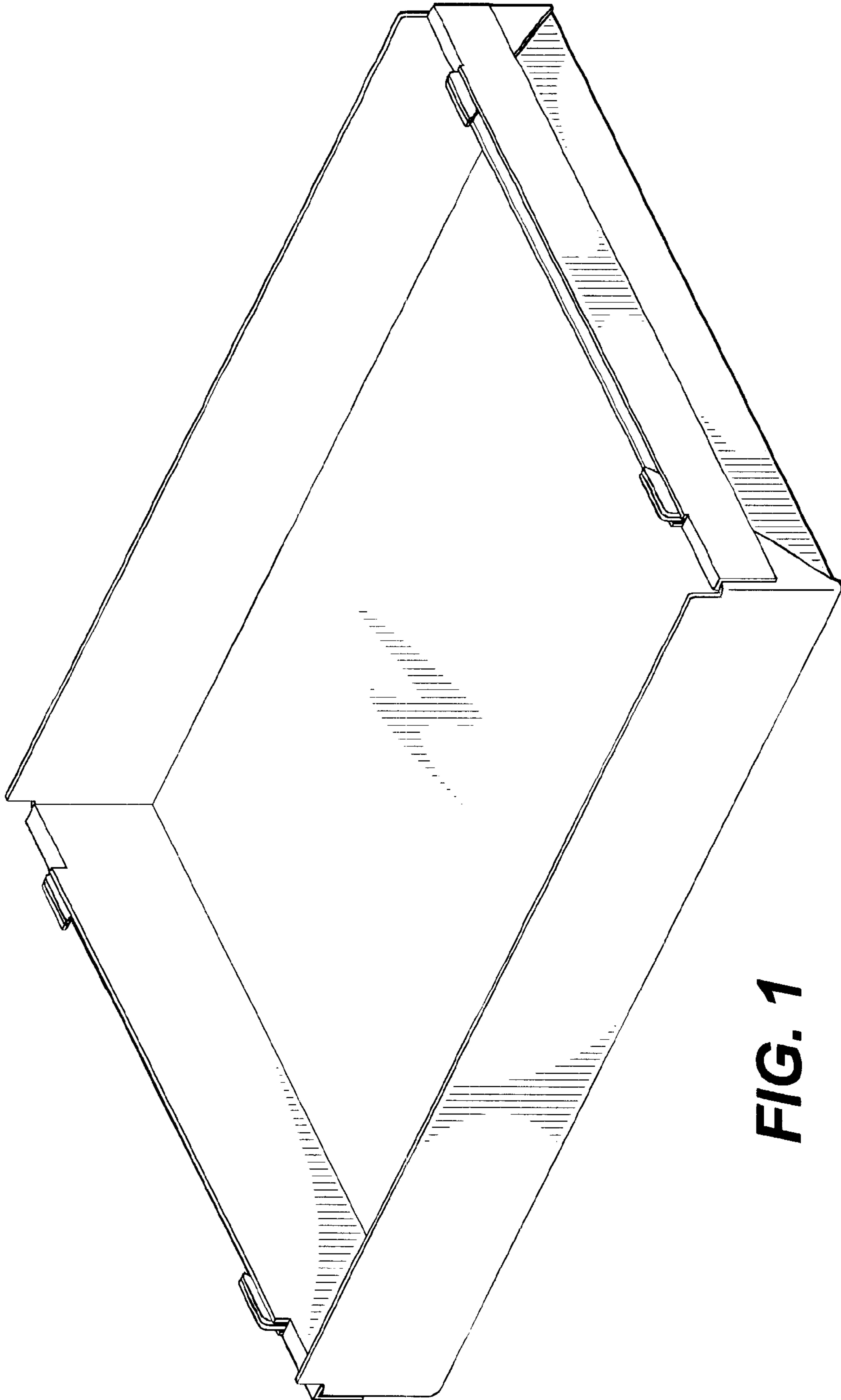


FIG. 1

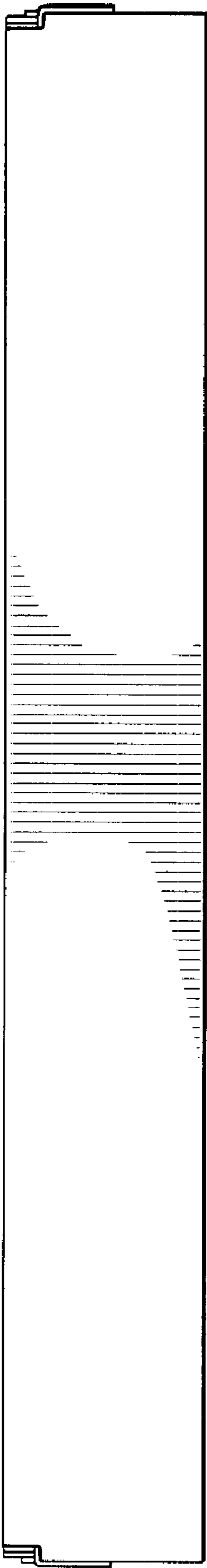


FIG. 2

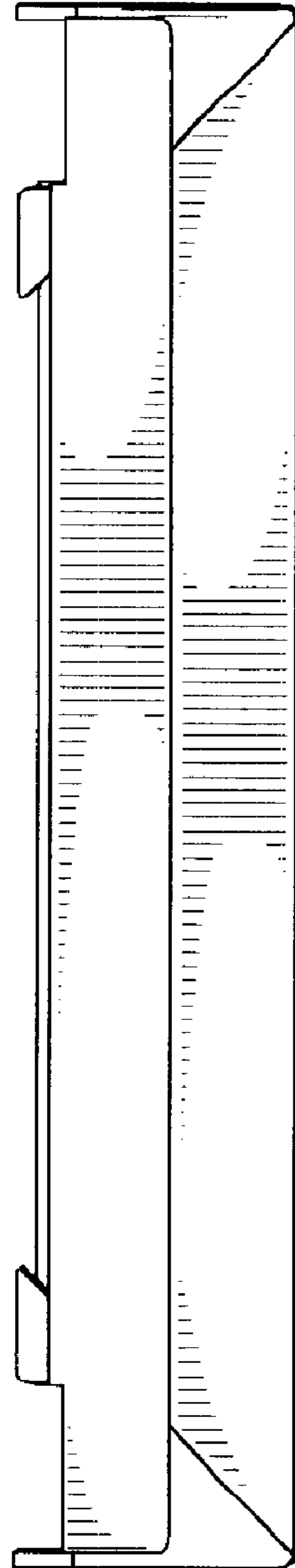


FIG. 3

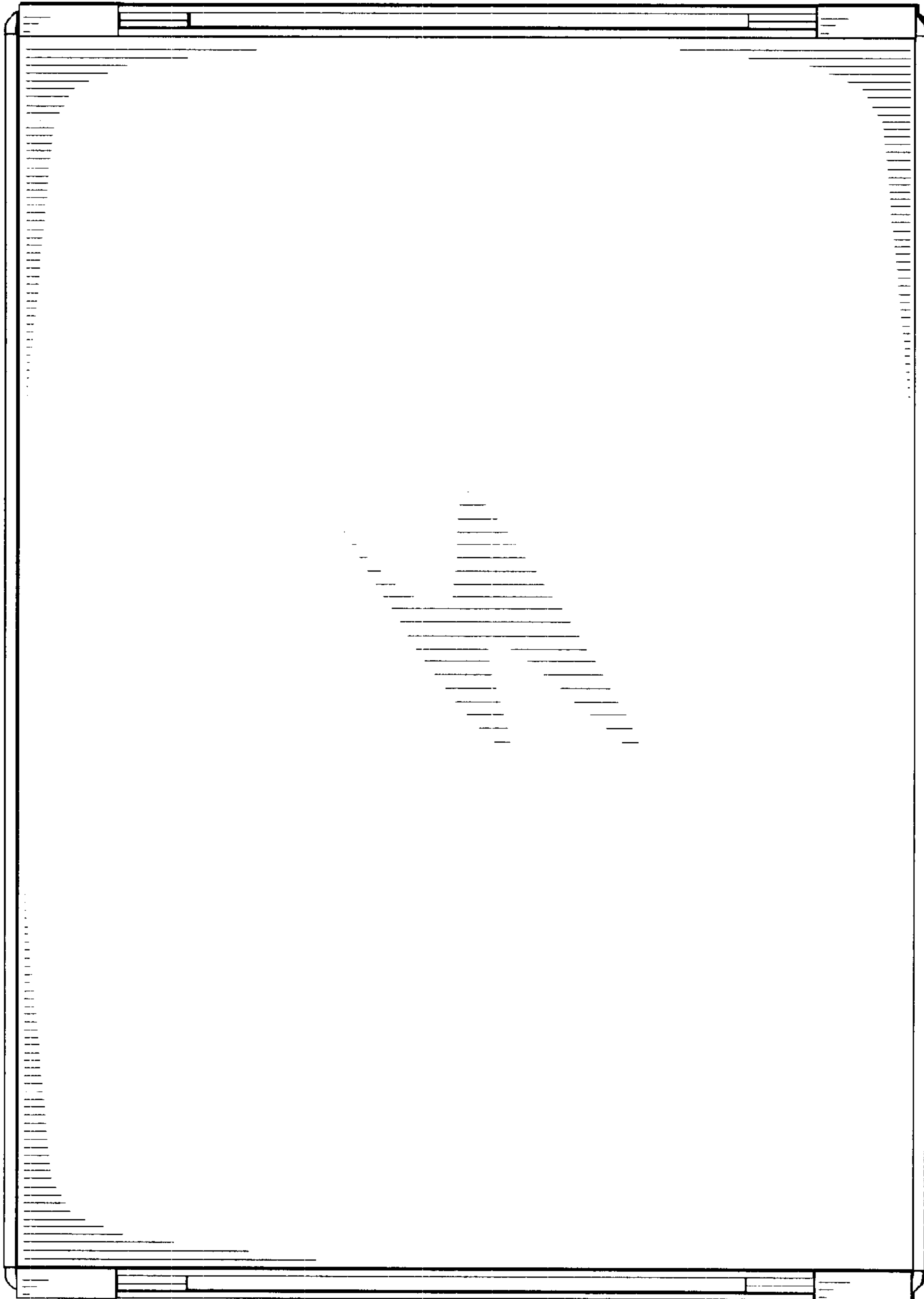


FIG. 4