



US00D474056S

(12) **United States Design Patent**
Mandell

(10) **Patent No.:** **US D474,056 S**

(45) **Date of Patent:** **** May 6, 2003**

(54) **CLOTH TOWEL DISPENSER WITH TOWELS THEREIN**

(75) Inventor: **Neil Mandell**, Metuchen, NJ (US)

(73) Assignee: **Franco Manufacturing Company, Inc.**, Metuchen, NJ (US)

(**) Term: **14 Years**

(21) Appl. No.: **29/154,717**

(22) Filed: **Jan. 28, 2002**

(51) **LOC (7) Cl.** **20-02**

(52) **U.S. Cl.** **D6/518**

(58) **Field of Search** D6/515, 518, 522;
D3/201, 901; 221/26, 33, 34, 45, 63, 64,
65, 69, 282, 284; 222/173; 206/215, 214,
233, 389

(56) **References Cited**

U.S. PATENT DOCUMENTS

1,362,449 A	12/1920	Teall	
2,235,675 A	3/1941	Fournier	
2,514,612 A	6/1950	Snow	
2,840,268 A	6/1958	Casey	
3,095,087 A	* 6/1963	Yates 221/34 X
3,780,908 A	12/1973	Fitzpatrick et al.	
3,784,056 A	1/1974	Spruyt et al.	
3,819,043 A	6/1974	Harrison	
3,836,045 A	9/1974	Duhy et al.	
3,841,466 A	10/1974	Hoffman et al.	
4,156,493 A	5/1979	Julius	
4,181,225 A	1/1980	Spiegelberg	
4,185,754 A	1/1980	Julius	
4,411,374 A	* 10/1983	Hotchkiss 221/63
4,616,767 A	* 10/1986	Seido 221/65 X

4,638,921 A	1/1987	Sigl et al.	
4,741,944 A	5/1988	Jackson et al.	
4,863,064 A	9/1989	Dailey	
D309,158 S	* 7/1990	Shattan D6/518 X
5,129,545 A	* 7/1992	Parks 221/63 X
5,542,566 A	8/1996	Glaug et al.	
5,542,567 A	8/1996	Julius	
6,065,626 A	5/2000	Huang et al.	

* cited by examiner

Primary Examiner—Brian N. Vinson

(74) *Attorney, Agent, or Firm*—Amster, Rothstein & Ebenstein

(57) **CLAIM**

The ornamental design for a cloth towel dispenser with towels therein, as shown and described.

DESCRIPTION

FIG. 1 is an exploded isometric view of a first embodiment of a cloth towel dispenser with towels therein showing my new design;

FIG. 2 is an isometric view thereof from the top, one side and one end, the view from the top, the other side and the other end being a mirror image thereof;

FIG. 3 is a bottom plan view thereof;

FIG. 4 is an isometric view of a second embodiment thereof, a bottom plan view thereof being identical to FIG. 3;

FIG. 5 is an isometric view of a third embodiment thereof; and,

FIG. 6 is a bottom plan view thereof.

The only difference between the various embodiments is the transparency of particular surfaces of the dispenser, it being understood that all corresponding surfaces of the various embodiments are otherwise the same.

1 Claim, 4 Drawing Sheets

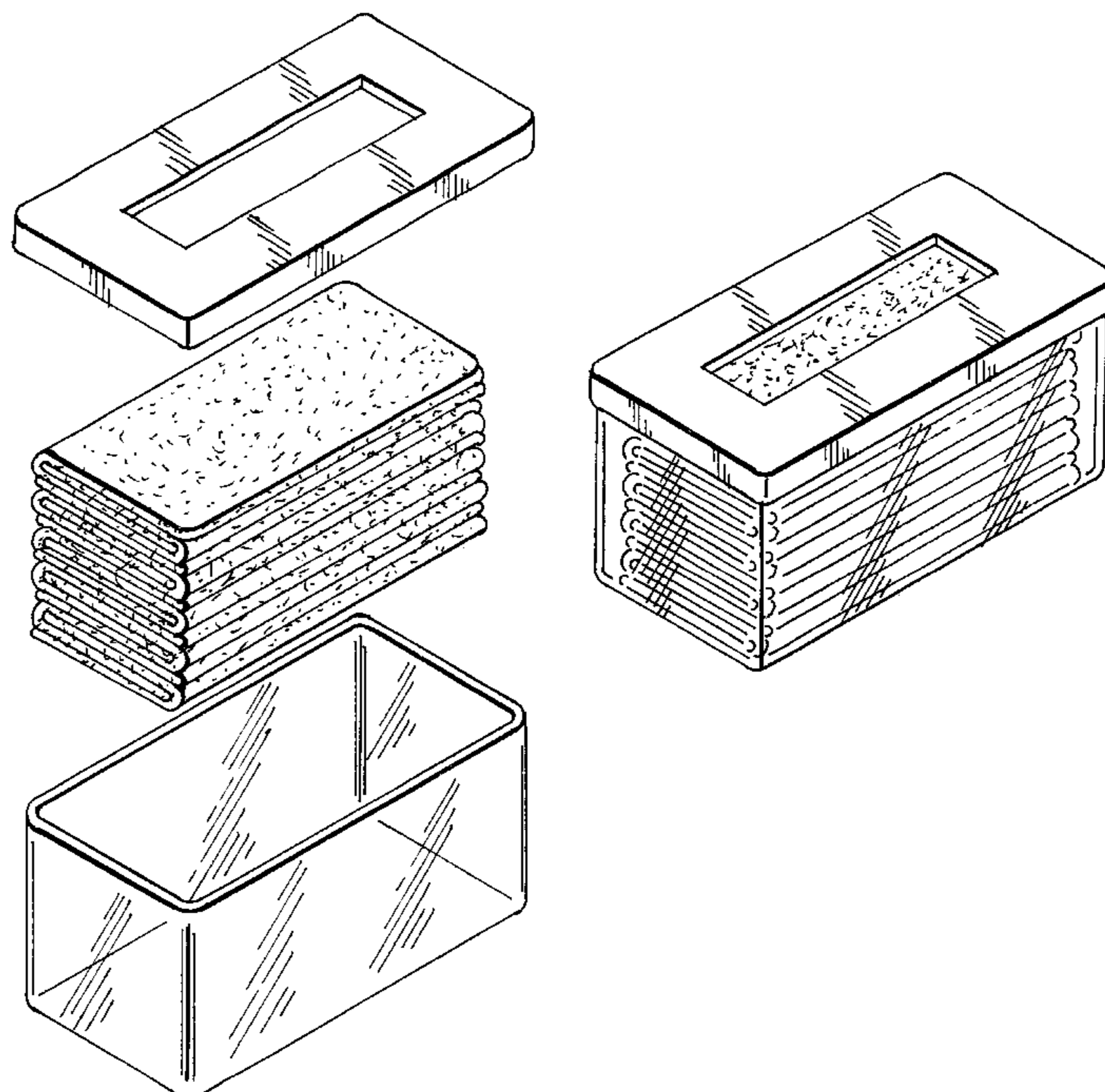


FIG. 1

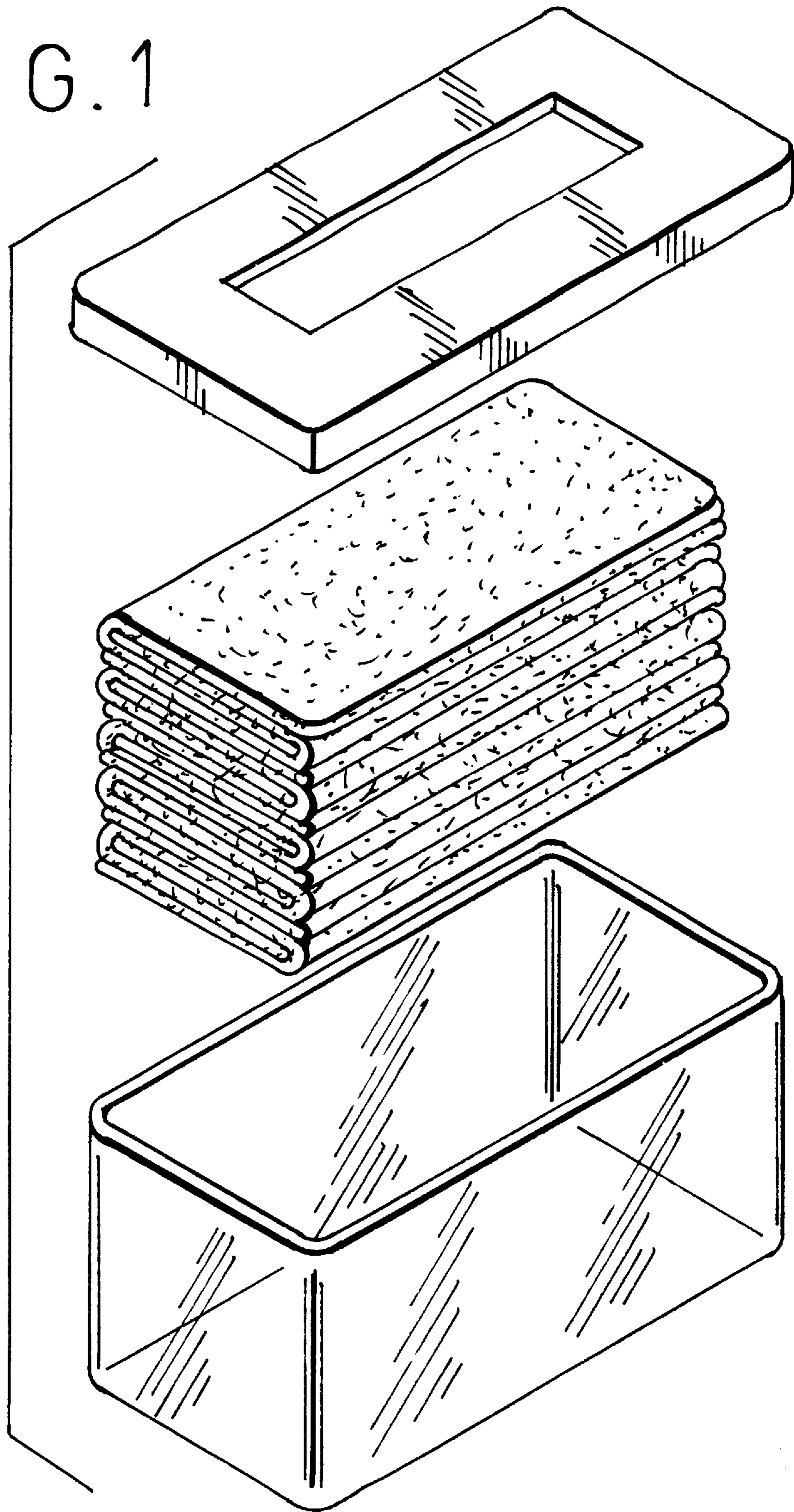


FIG. 2

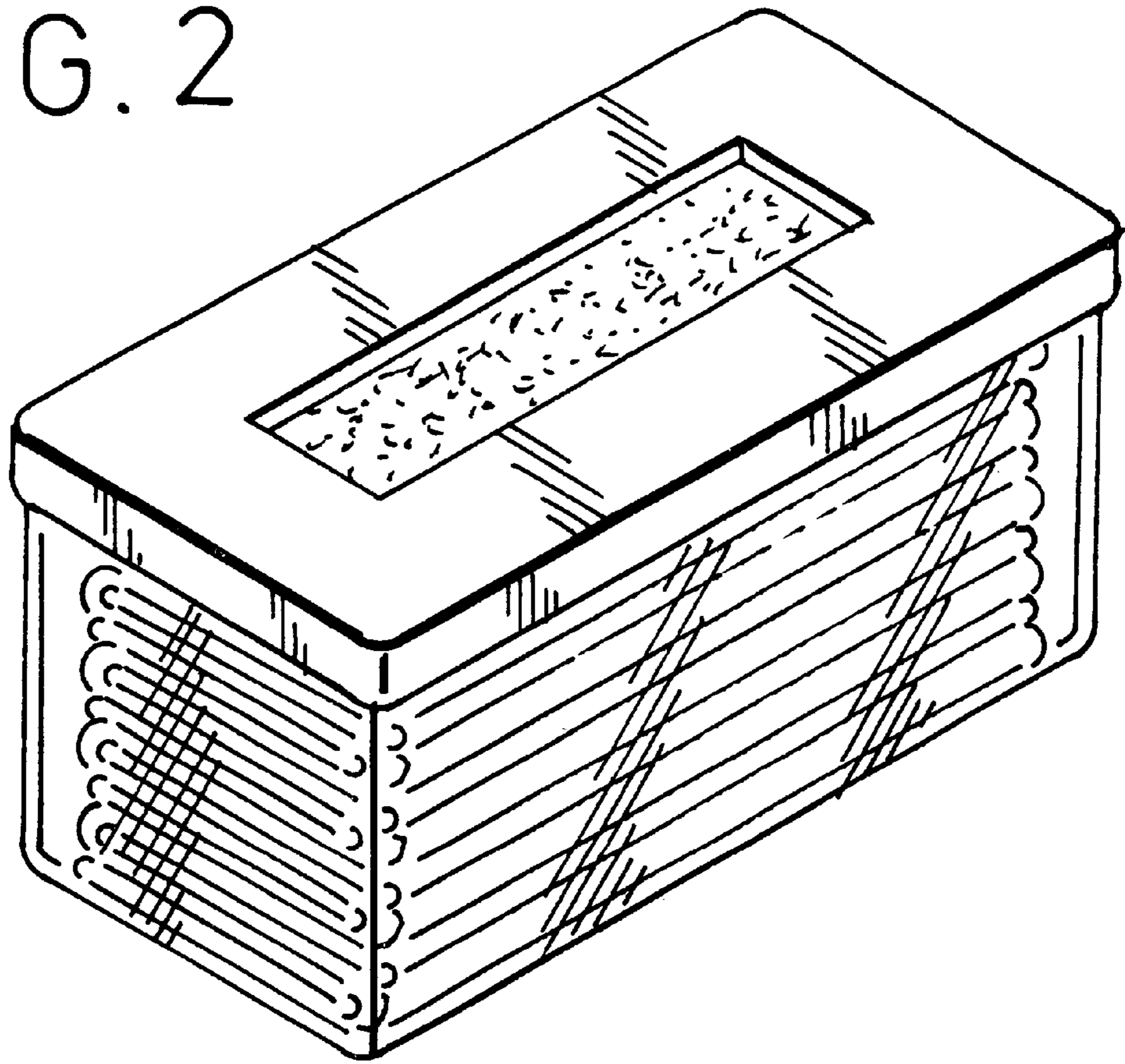


FIG. 3

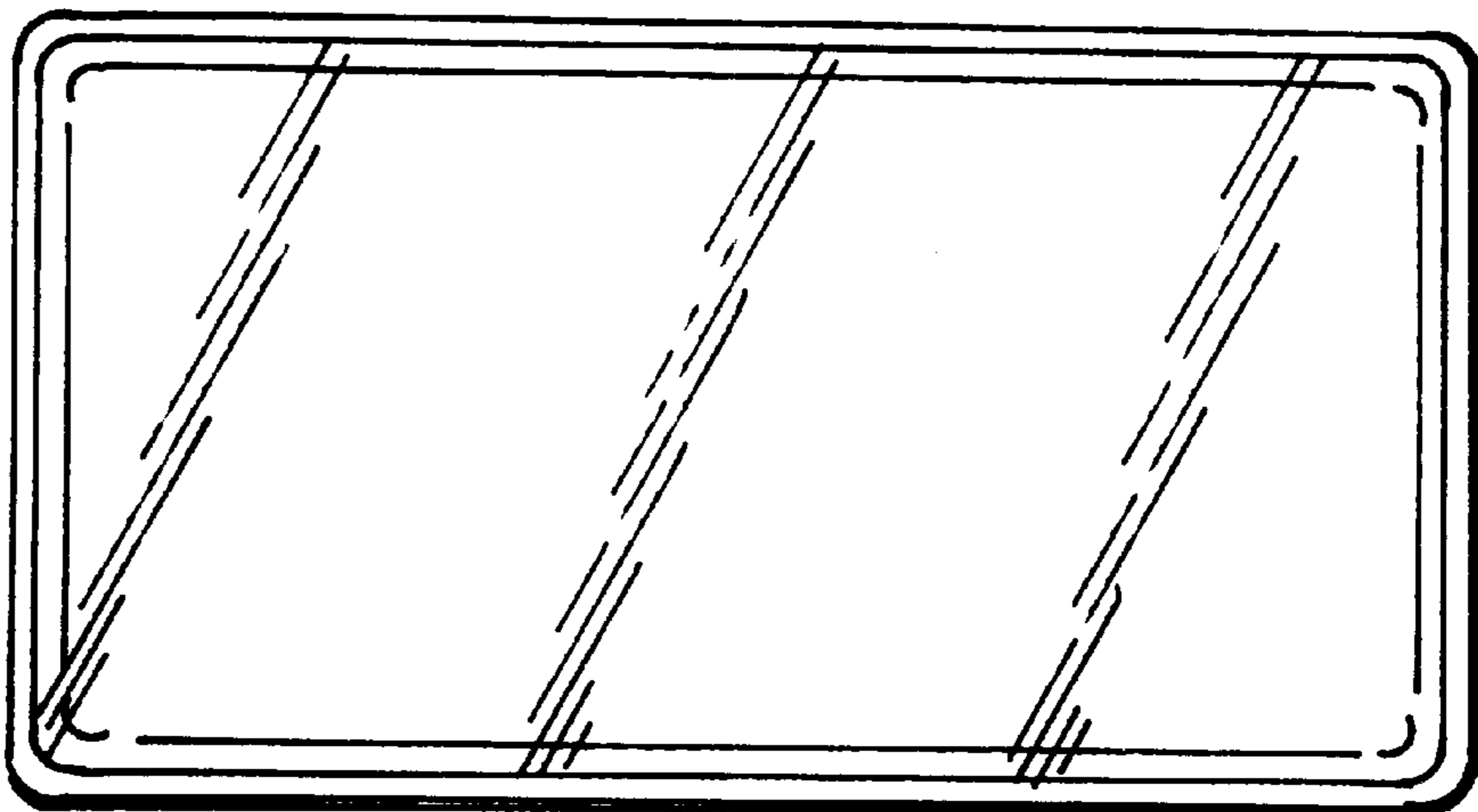


FIG. 4

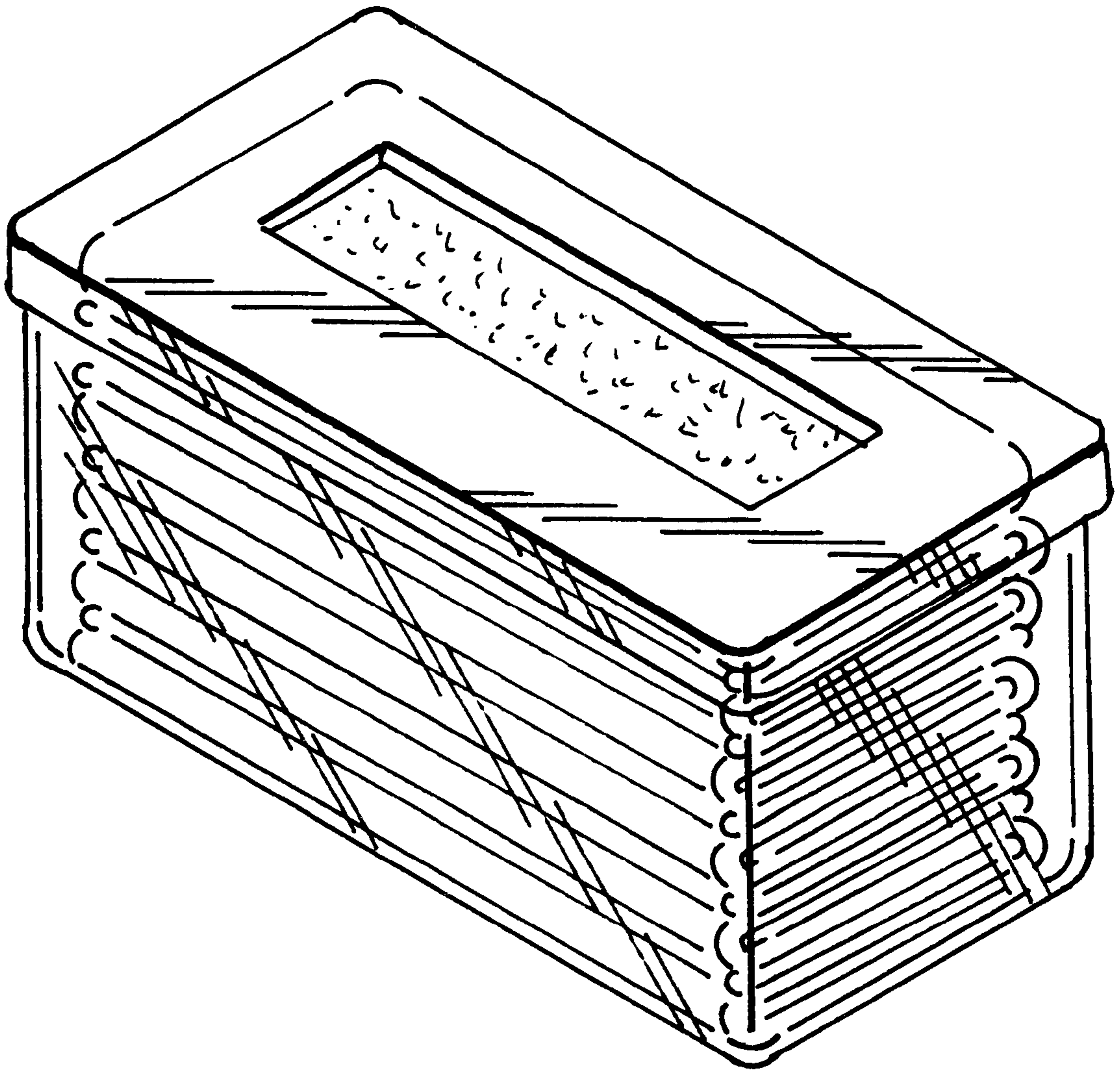


FIG. 5

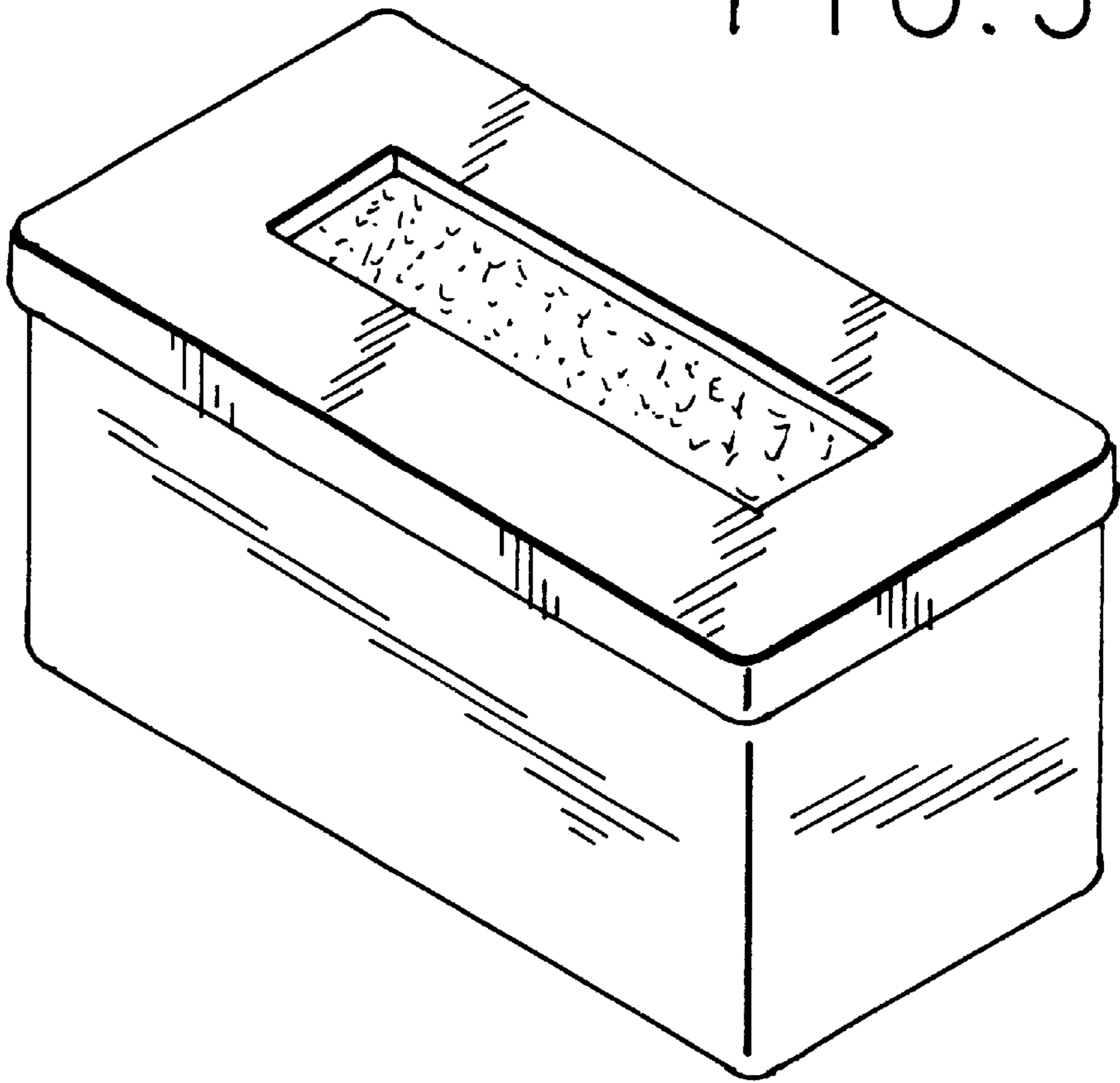


FIG. 6

