



US00D474055S

(12) **United States Design Patent**
Brewster

(10) **Patent No.:** **US D474,055 S**

(45) **Date of Patent:** **** May 6, 2003**

(54) **BACKSPLASH**

(76) **Inventor:** **Arthur Brewster**, 15672 Ebel Dr.,
Tustin, CA (US) 92780

(**) **Term:** **14 Years**

(21) **Appl. No.:** **29/168,255**

(22) **Filed:** **Sep. 27, 2002**

(51) **LOC (7) Cl.** **06-06**

(52) **U.S. Cl.** **D6/511**

(58) **Field of Search** D6/511; D23/308;
312/140.1, 140.3; 52/716.1, 716.2, 287.1

(56) **References Cited**

U.S. PATENT DOCUMENTS

1,011,642 A	12/1911	Patterson	
2,143,034 A	1/1939	Sakier	
2,303,864 A	* 12/1942	Reasor 52/716.1
2,895,778 A	7/1959	Lieber	
3,222,837 A	12/1965	Daley	
3,606,508 A	9/1971	Burnes	
4,109,434 A	8/1978	Katzin	
4,760,681 A	8/1988	Harrison	
D345,268 S	* 3/1994	Pate D6/511
5,330,262 A	7/1994	Peters	
5,553,431 A	9/1996	Pelosi, Jr. et al.	
5,819,485 A	* 10/1998	Lane et al. 52/716.1 X

5,950,370 A	9/1999	Peck	
6,115,982 A	* 9/2000	Lindenberg 52/287.1 X
6,220,677 B1	4/2001	Ancel	
6,309,036 B1	10/2001	Ancel	

OTHER PUBLICATIONS

Pete A. Sciarrino, et al. "Natural Stone Tile Edging", U.S. patent application Publication, Publication No. US 2001/0037848 A1.

* cited by examiner

Primary Examiner—Janice E. Seeger

(74) *Attorney, Agent, or Firm*—Walter A. Hackler

(57) **CLAIM**

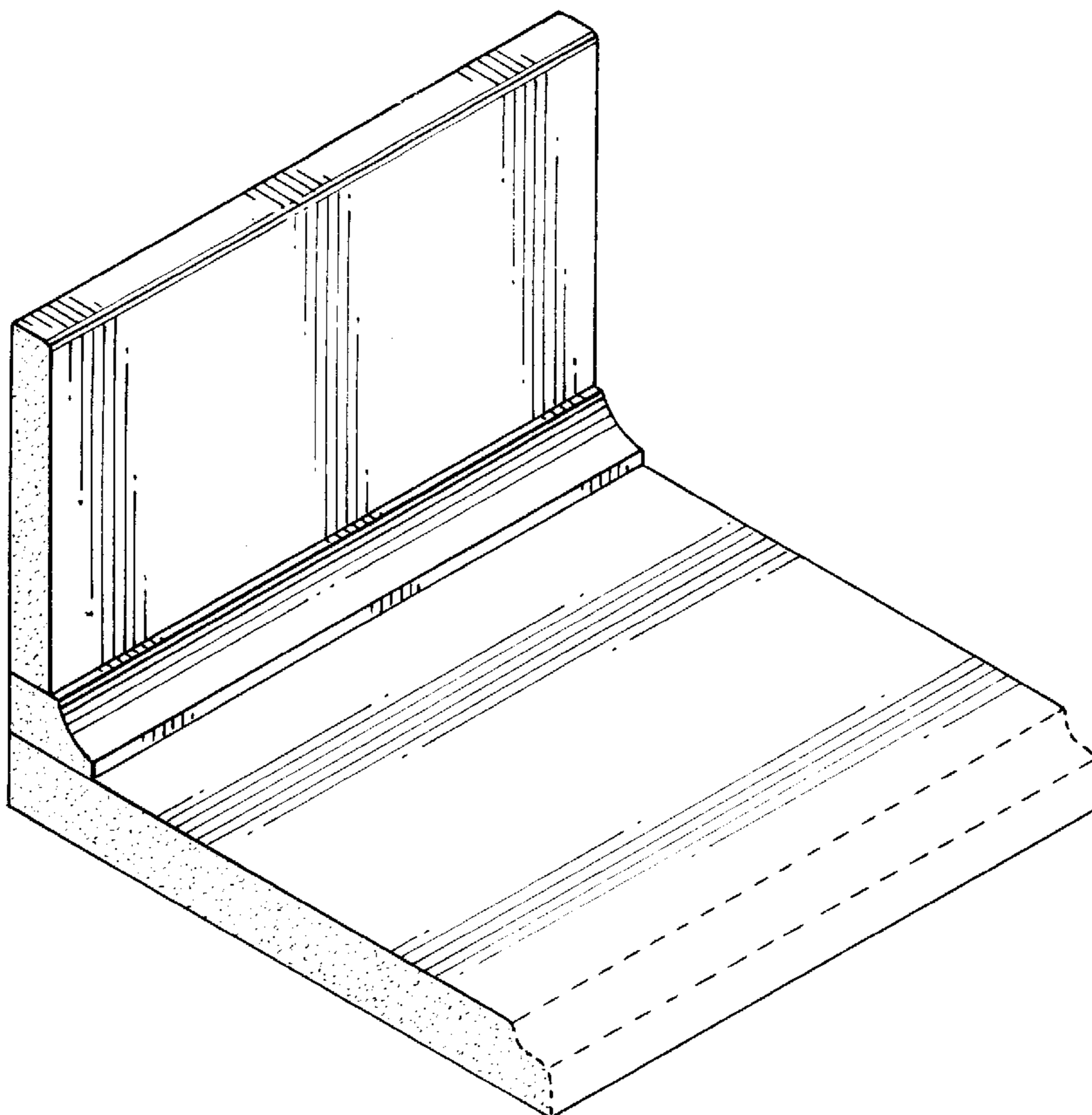
The ornamental design for the backsplash, as shown and described.

DESCRIPTION

FIG. 1 is a perspective view of the present invention showing the front, top and side of the invention; and, FIG. 2 is a side elevational view of the present invention. There is no claim to design features of the bottom and back of the present invention.

The broken lines are for environmental purposes only and form no part of the claimed design.

1 Claim, 1 Drawing Sheet



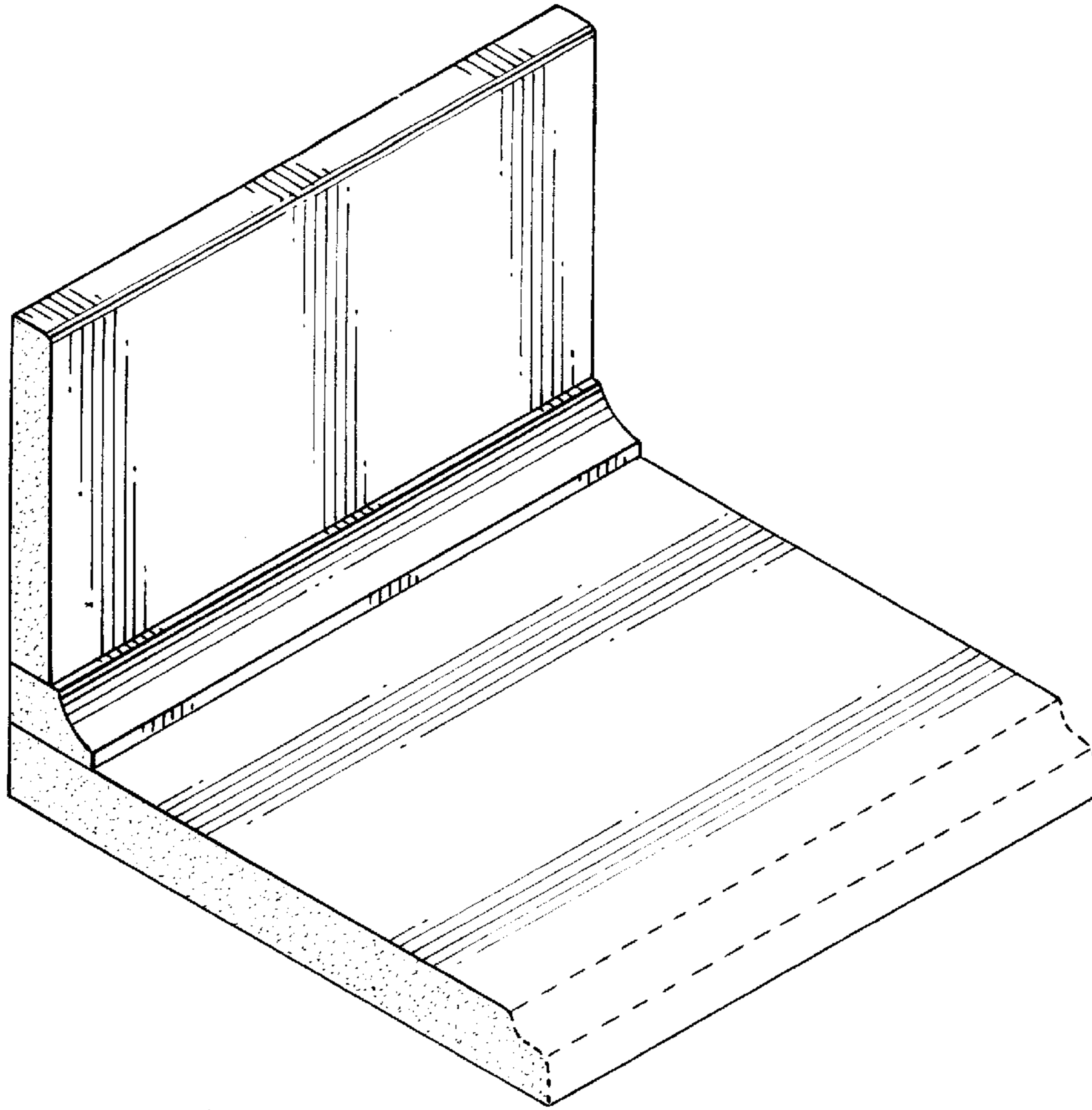


FIG. 1.

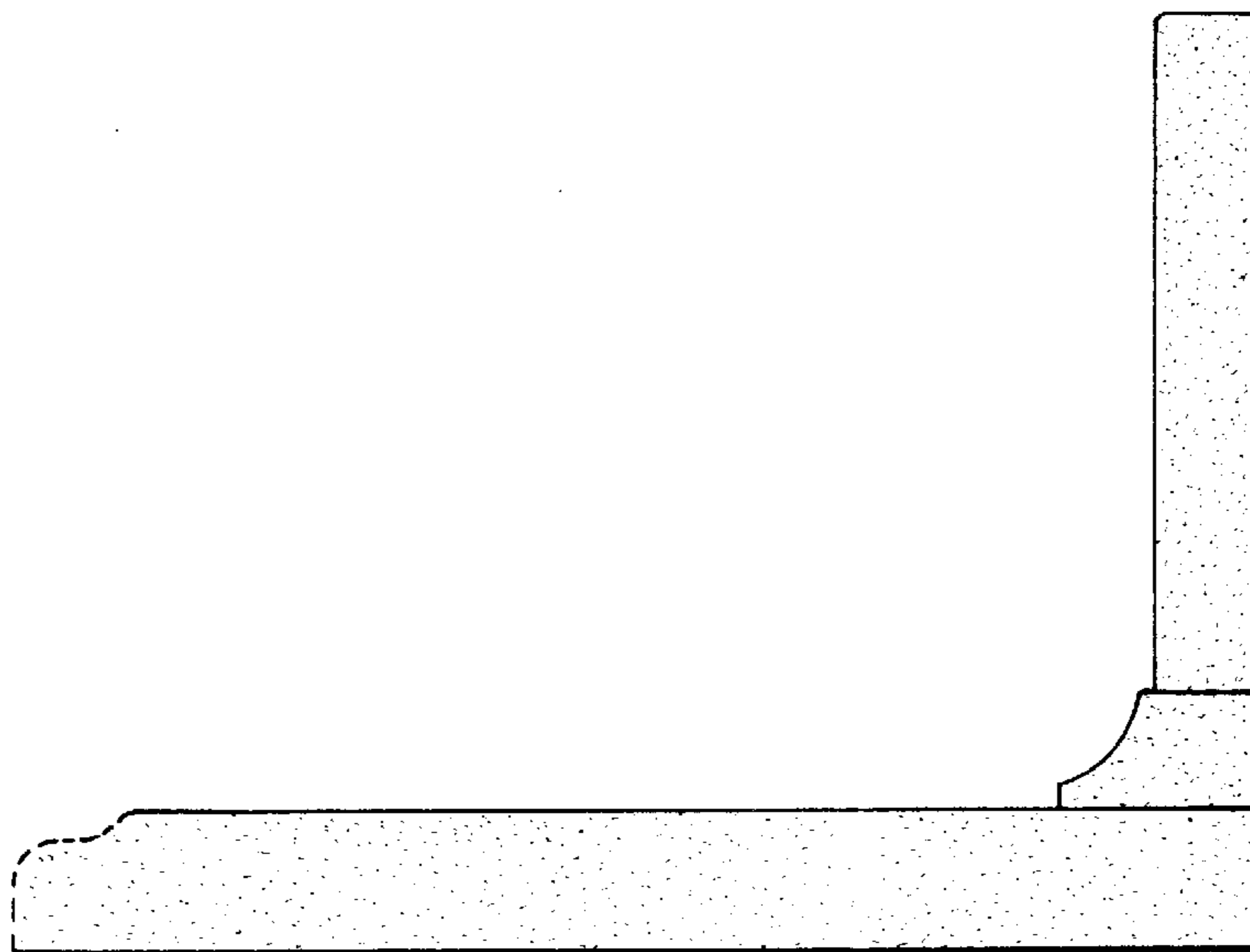


FIG. 2.