



US00D474051S

(12) **United States Design Patent**  
**Tseng**

(10) **Patent No.:** **US D474,051 S**

(45) **Date of Patent:** **\*\* May 6, 2003**

(54) **CHAIR**

D417,102 S \* 11/1999 Vanderwood et al. .... D6/500  
D445,579 S \* 7/2001 Olson ..... D6/366

(75) Inventor: **Chuen-Jong Tseng**, Chiayi Hsien (TW)

\* cited by examiner

(73) Assignee: **Shin Yeh Enterprise Co., Ltd.**, Chiayi Hsien (TW)

*Primary Examiner*—Gary D. Watson  
(74) *Attorney, Agent, or Firm*—Ladas & Parry

(\*\*) Term: **14 Years**

(57) **CLAIM**

(21) Appl. No.: **29/158,928**

The ornamental design for chair, as shown and described.

(22) Filed: **Apr. 12, 2002**

**DESCRIPTION**

(51) **LOC (7) Cl.** ..... **06-00**

FIG. 1 is a perspective view of chair showing my new design;

(52) **U.S. Cl.** ..... **D6/500; D6/366**

FIG. 2 is a front elevational view thereof;

(58) **Field of Search** ..... D6/334, 364, 365,  
D6/366, 367, 500, 501, 502; 297/411.2,  
411.28

FIG. 3 is a rear elevational view thereof;

FIG. 4 is a left side elevational view thereof;

FIG. 5 is a right side elevational view thereof;

FIG. 6 is a top plan view thereof; and,

FIG. 7 is a bottom plan view thereof.

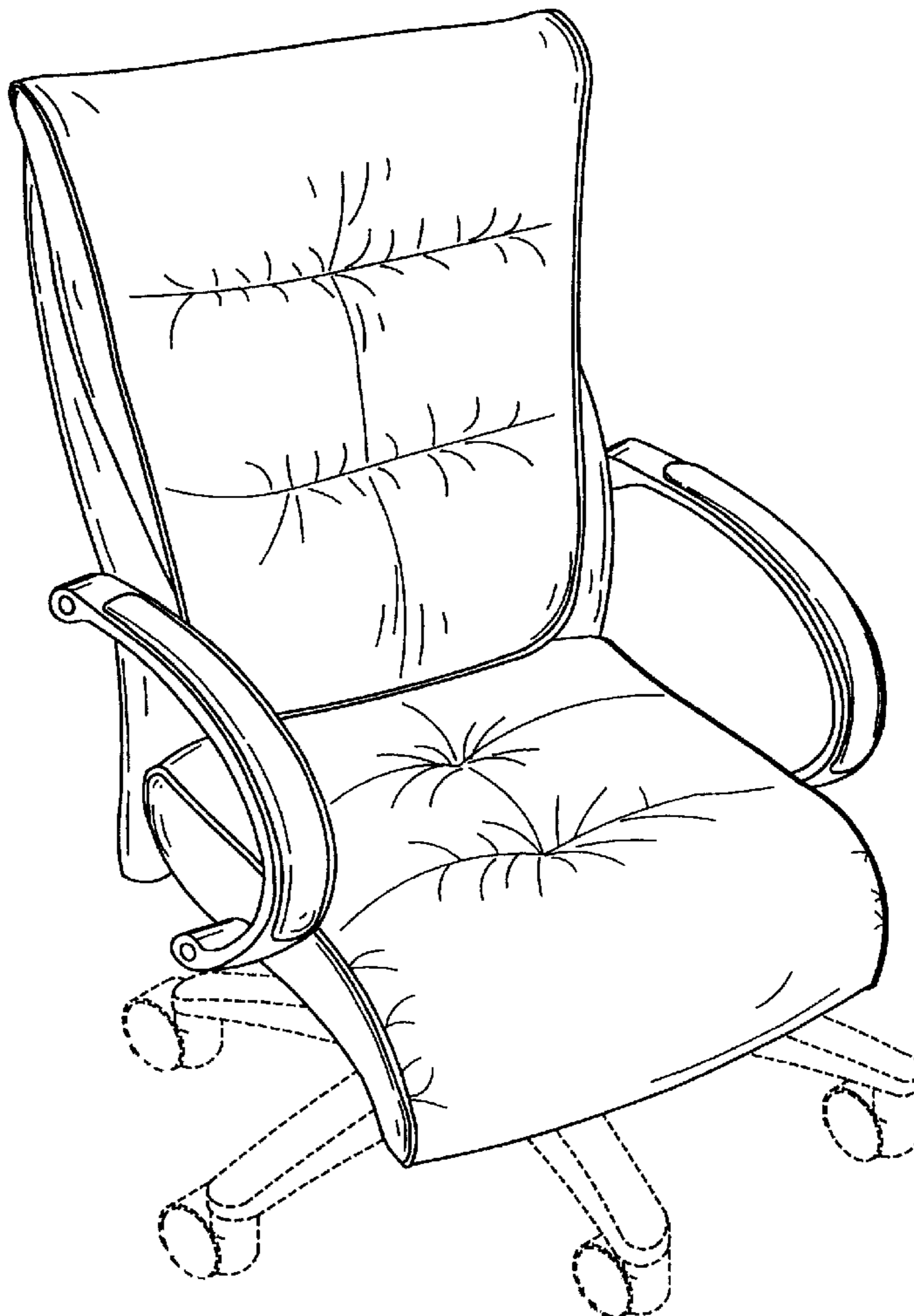
The broken lines are shown for illustrative purposes only and form no part of the claimed design.

(56) **References Cited**

**U.S. PATENT DOCUMENTS**

D313,703 S \* 1/1991 Moschini et al. .... D6/366  
D362,974 S \* 10/1995 Olson et al. .... D6/366  
D372,799 S \* 8/1996 Orians et al. .... D6/366

**1 Claim, 4 Drawing Sheets**



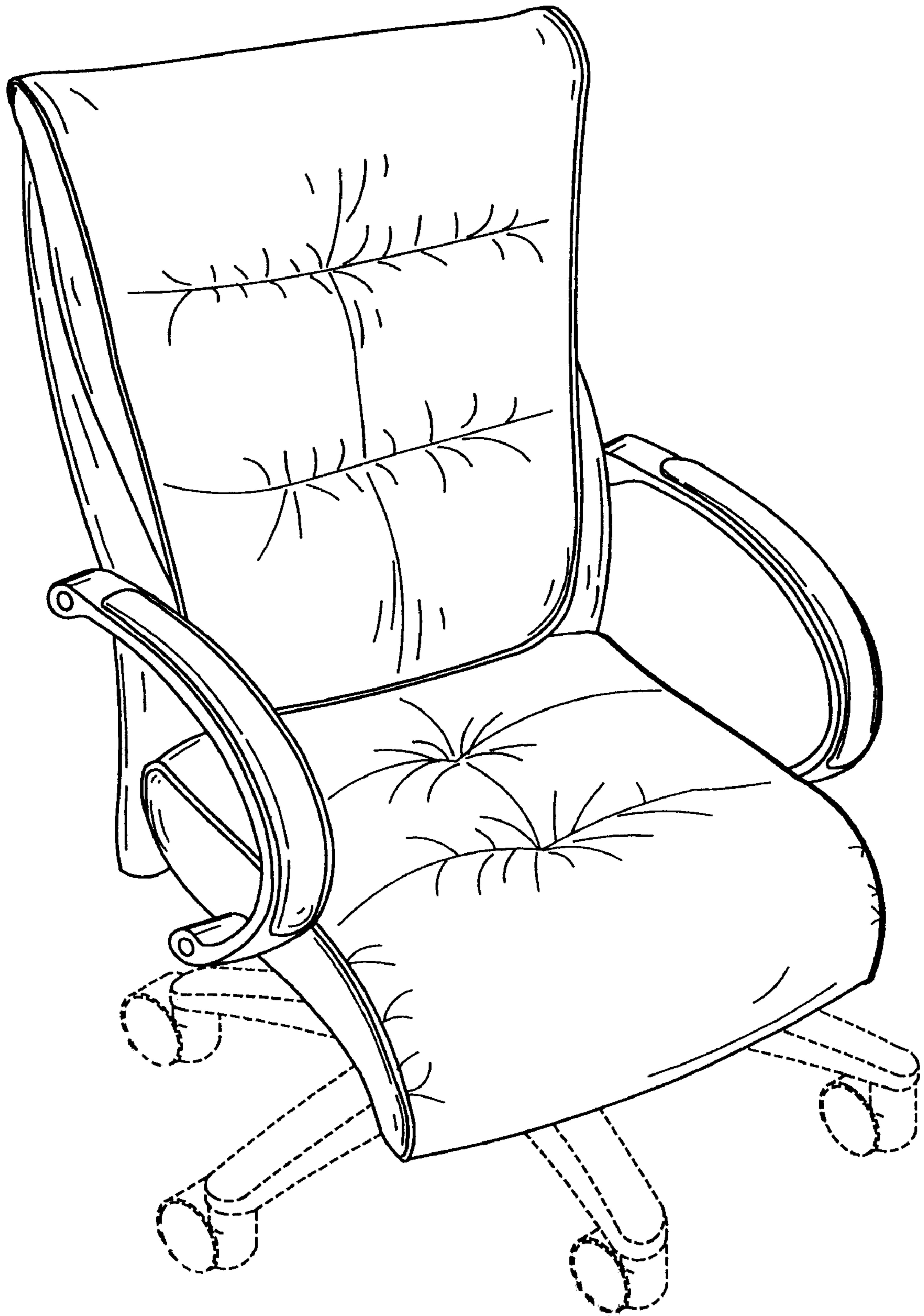


FIG. 1

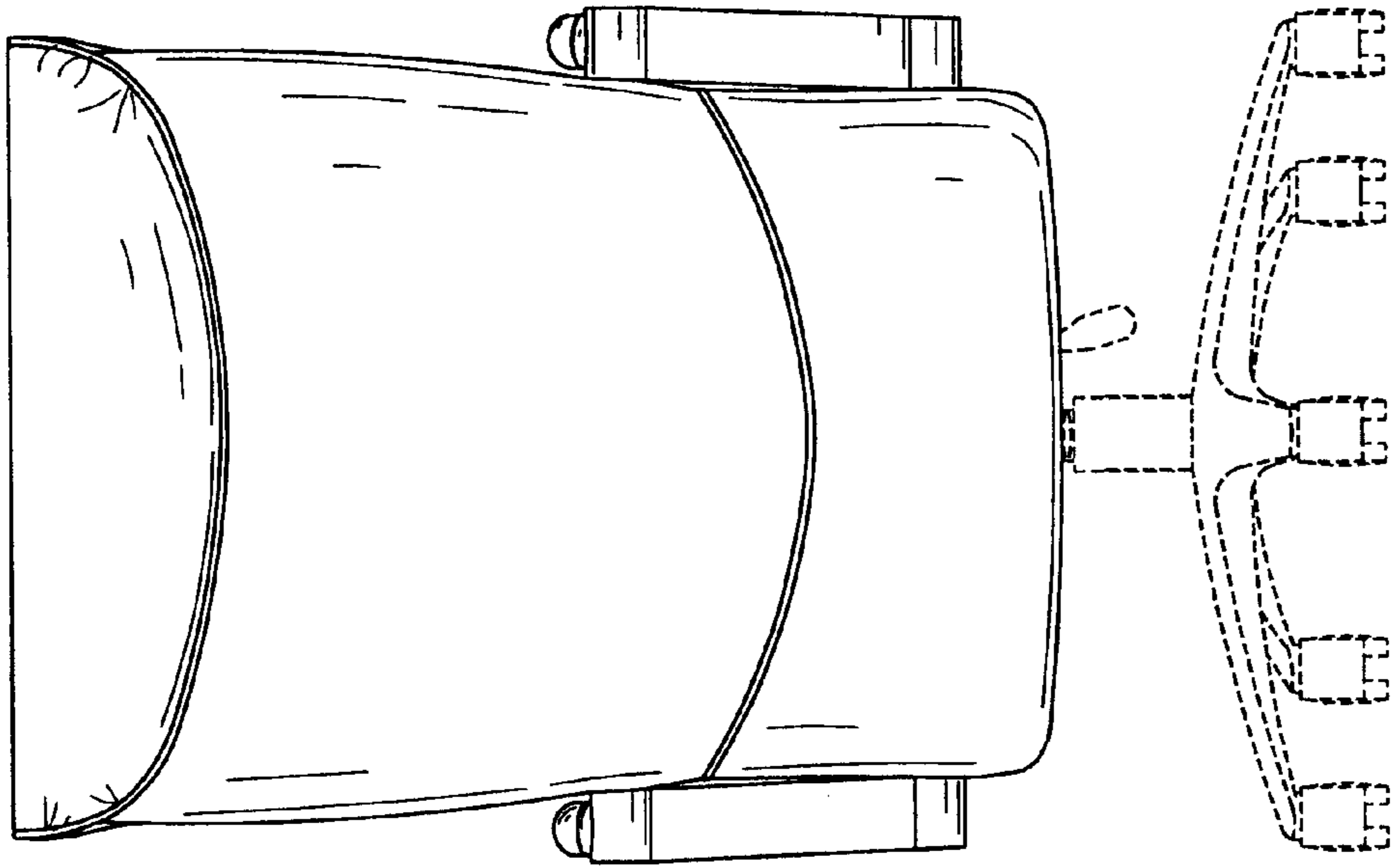


FIG. 3

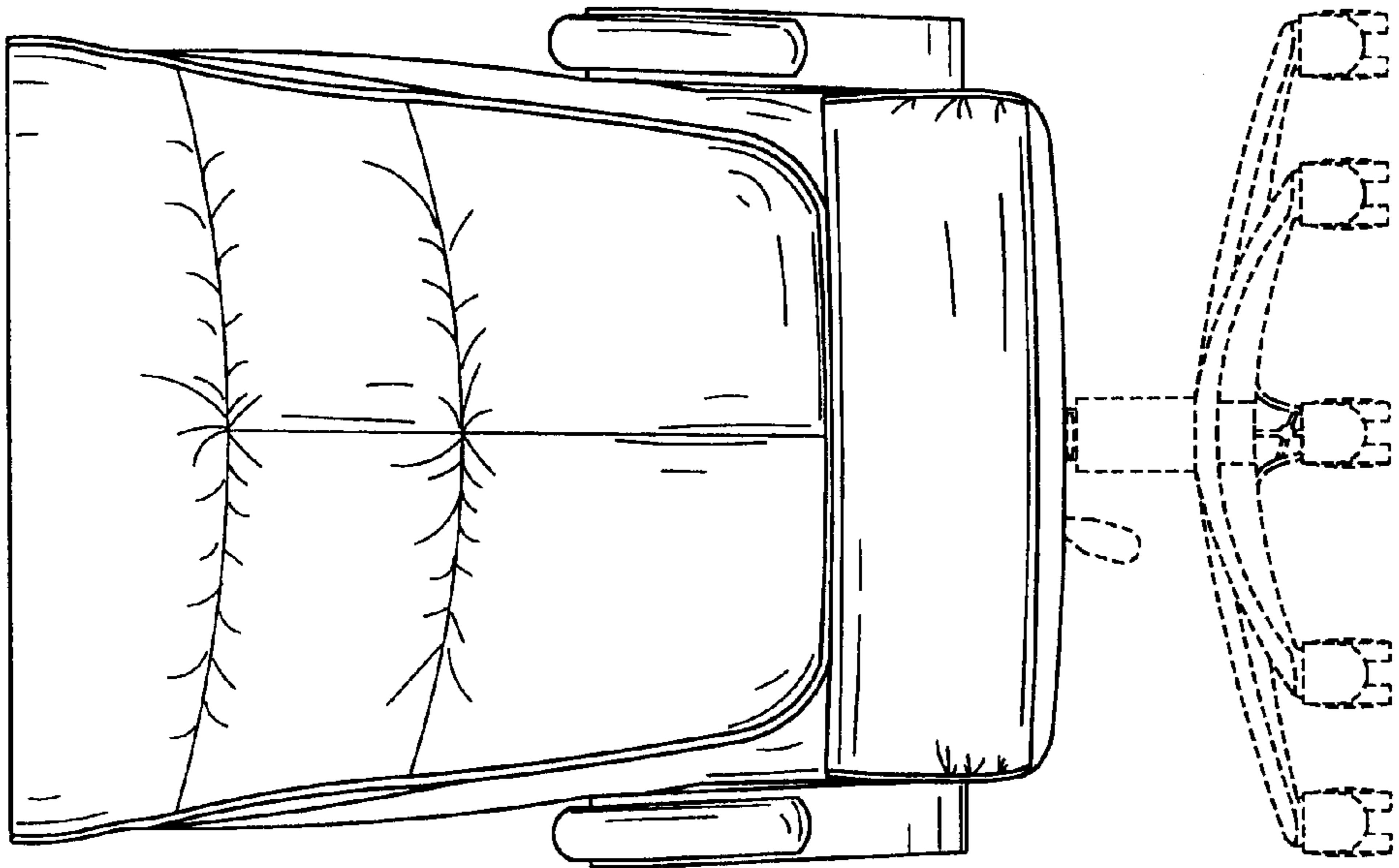


FIG. 2

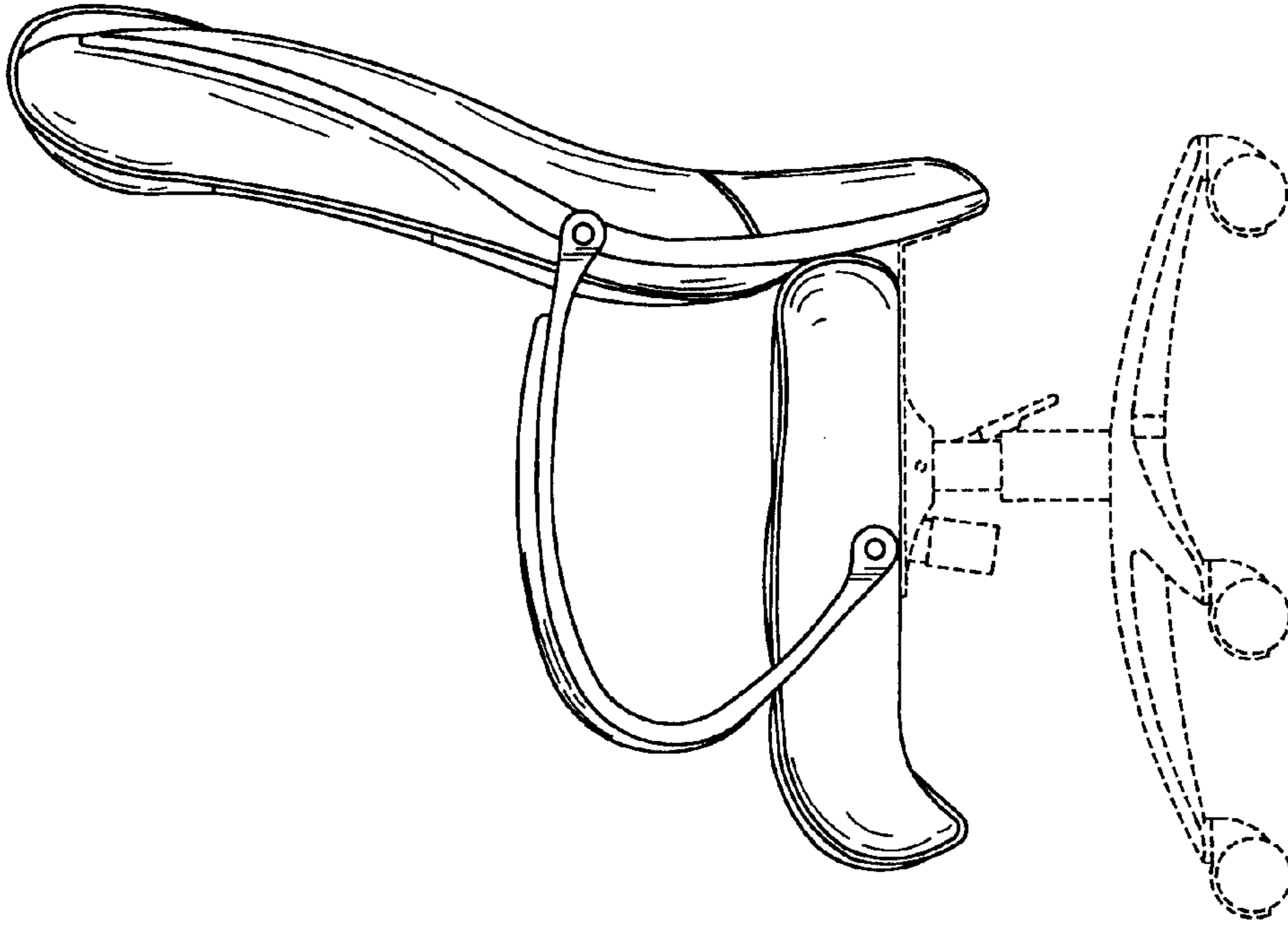


FIG. 5

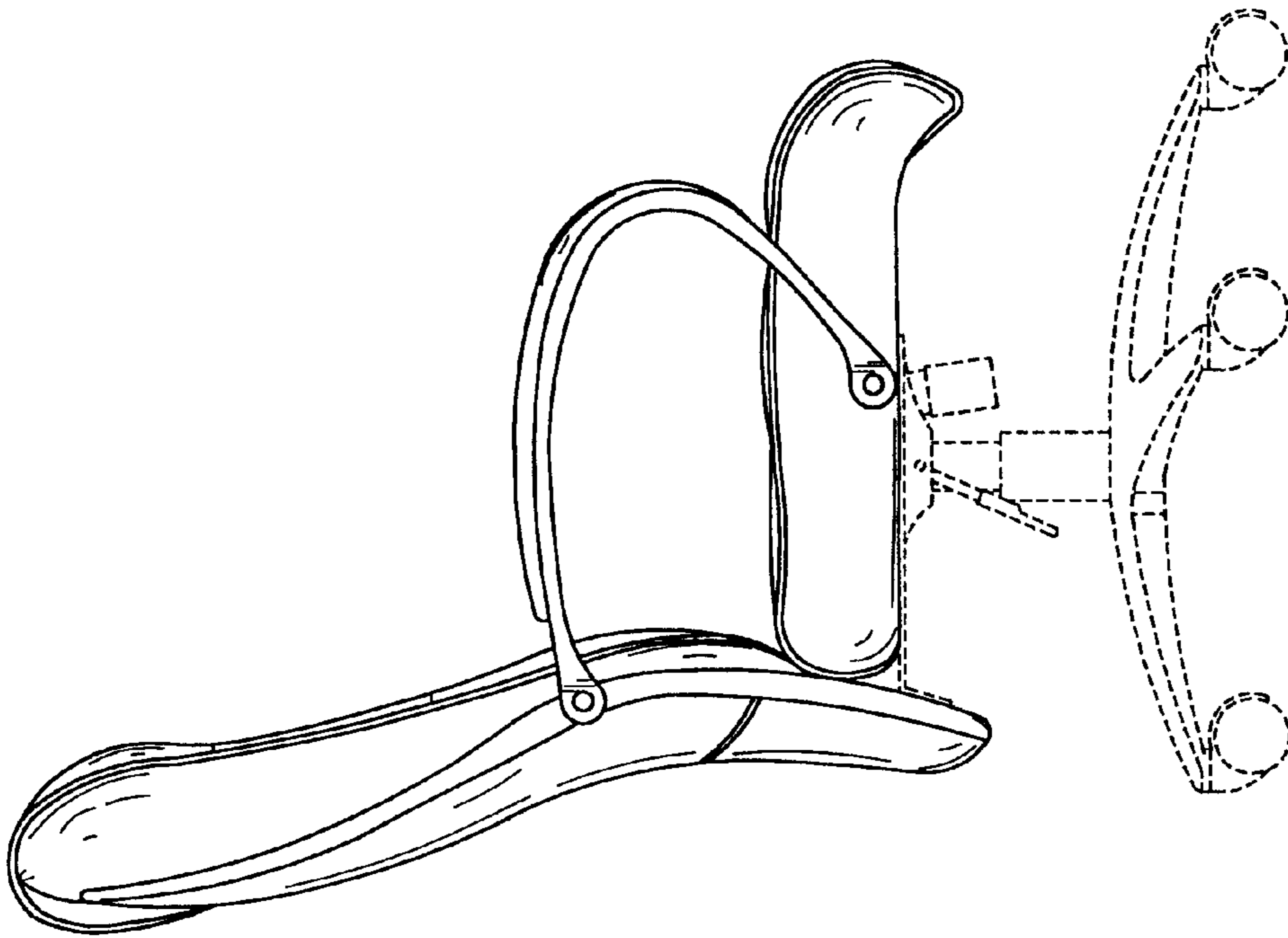


FIG. 4

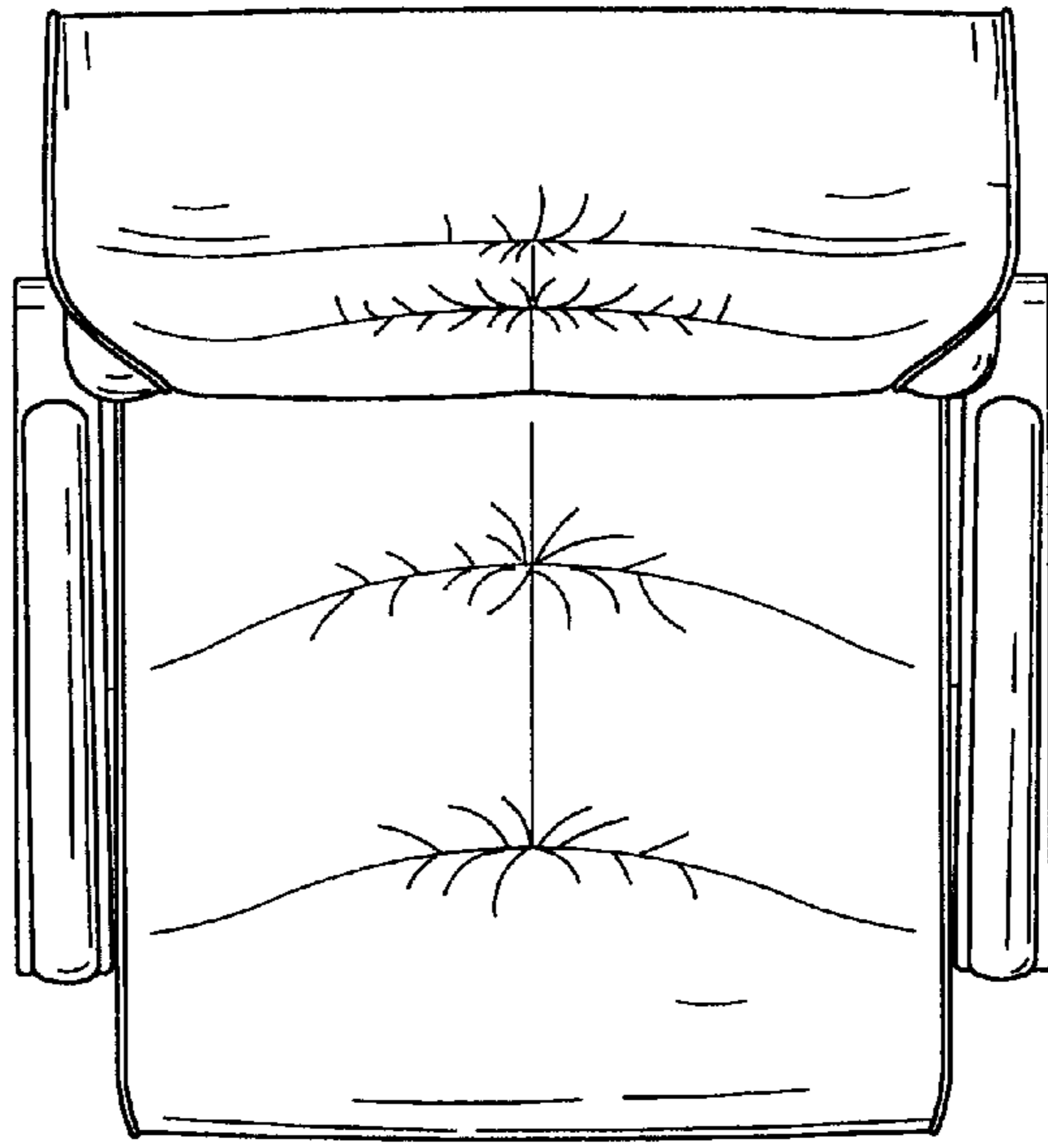


FIG. 6

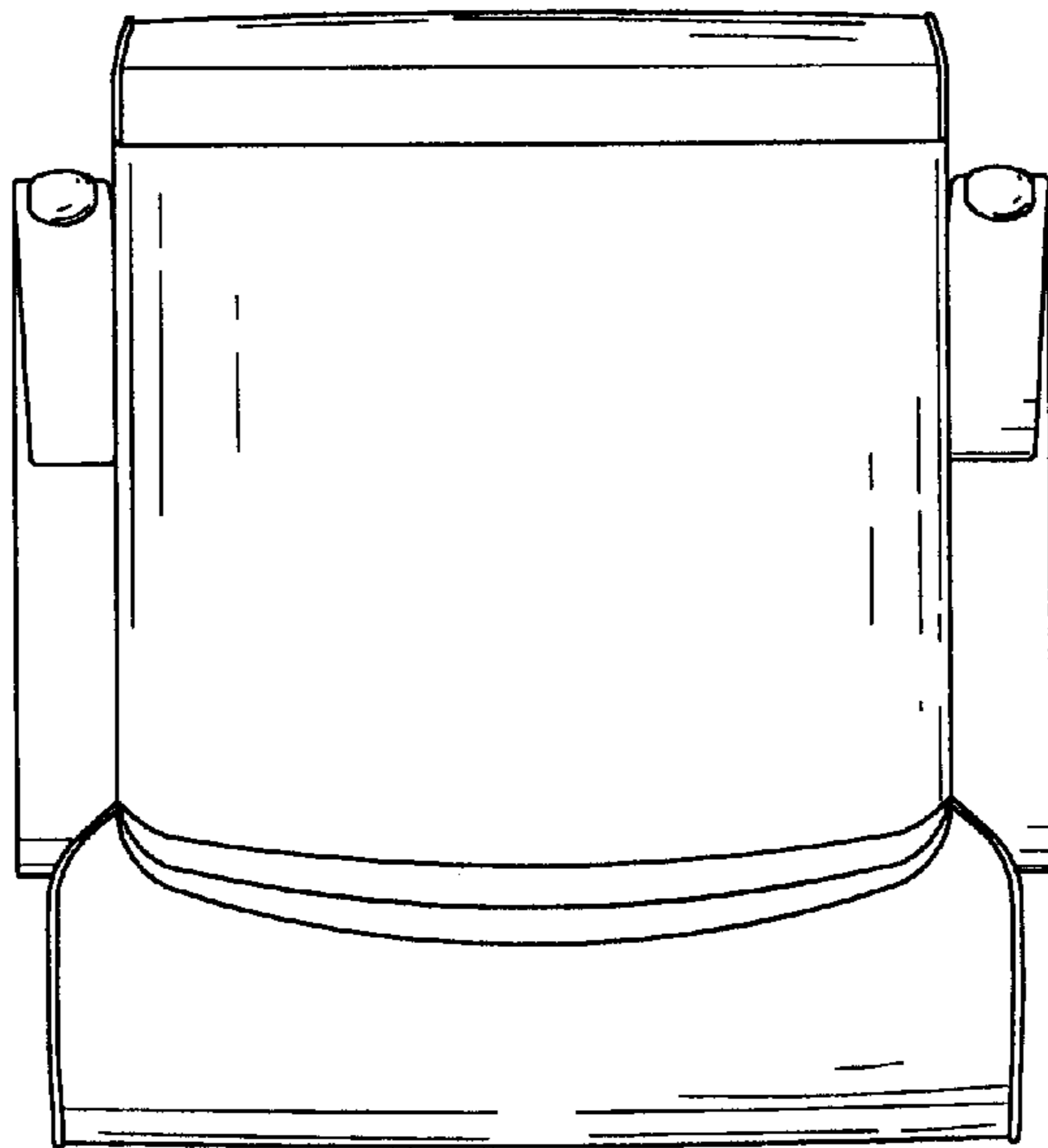


FIG. 7