



US00D474047S

(12) **United States Design Patent**
Lara

(10) **Patent No.:** **US D474,047 S**

(45) **Date of Patent:** **** May 6, 2003**

(54) **PLASMA TELEVISION STAND**

(75) Inventor: **Louis A. Lara**, Fort Lauderdale, FL
(US)

(73) Assignee: **Becker Designed, Inc.**, Chantilly, VA
(US)

(**) Term: **14 Years**

(21) Appl. No.: **29/168,137**

(22) Filed: **Sep. 27, 2002**

(51) **LOC (7) Cl.** **06-04**

(52) **U.S. Cl.** **D6/479; D6/418; D6/466**

(58) **Field of Search** D6/396, 397, 418,
D6/449, 466, 477, 479; 108/28, 59, 91,
92, 93, 144.11, 147.11, 147.17, 150; 312/7.2

(56) **References Cited**

U.S. PATENT DOCUMENTS

D229,526 S * 12/1973 Saidel D6/449
4,770,380 A * 9/1988 Eason et al. 248/165

5,129,525 A * 7/1992 Maynard, Jr. 211/205
D358,048 S * 5/1995 Schoenig et al. D6/466
D367,782 S 3/1996 Kazama
D423,822 S 5/2000 Takemasa
D459,118 S 6/2002 Antonioni

* cited by examiner

Primary Examiner—Cathron C. Brooks

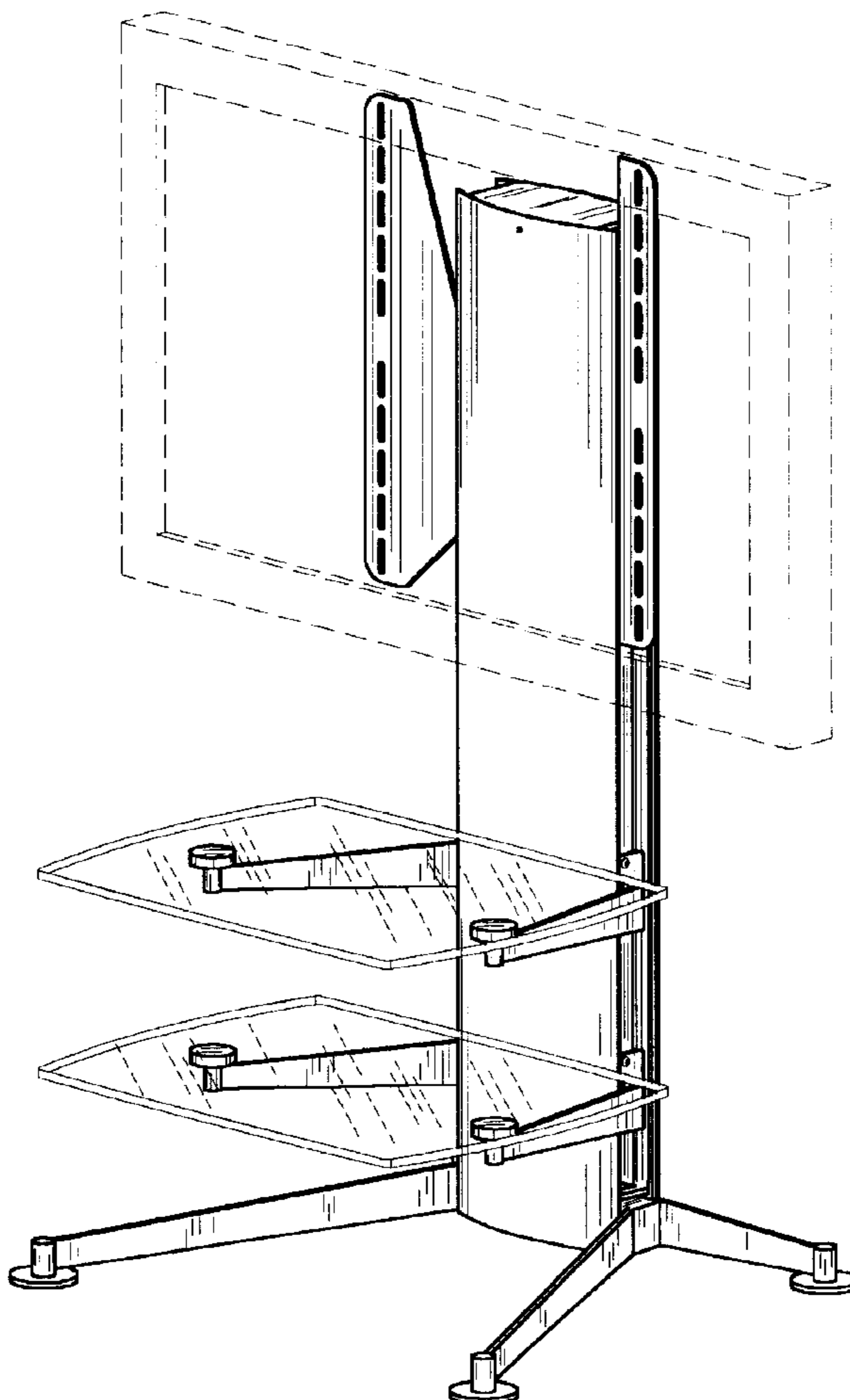
(57) **CLAIM**

The ornamental design for a plasma television stand, as shown and described.

DESCRIPTION

FIG. 1 is a perspective view of my new design;
FIG. 2 is a top view thereof;
FIG. 3 is a right side view thereof, the left side being a mirror image;
FIG. 4 is a front elevational view thereof; and,
FIG. 5 is a rear elevational view thereof.
The broken lines shown are for illustrative purposes only and form no part of the claimed design.

1 Claim, 5 Drawing Sheets



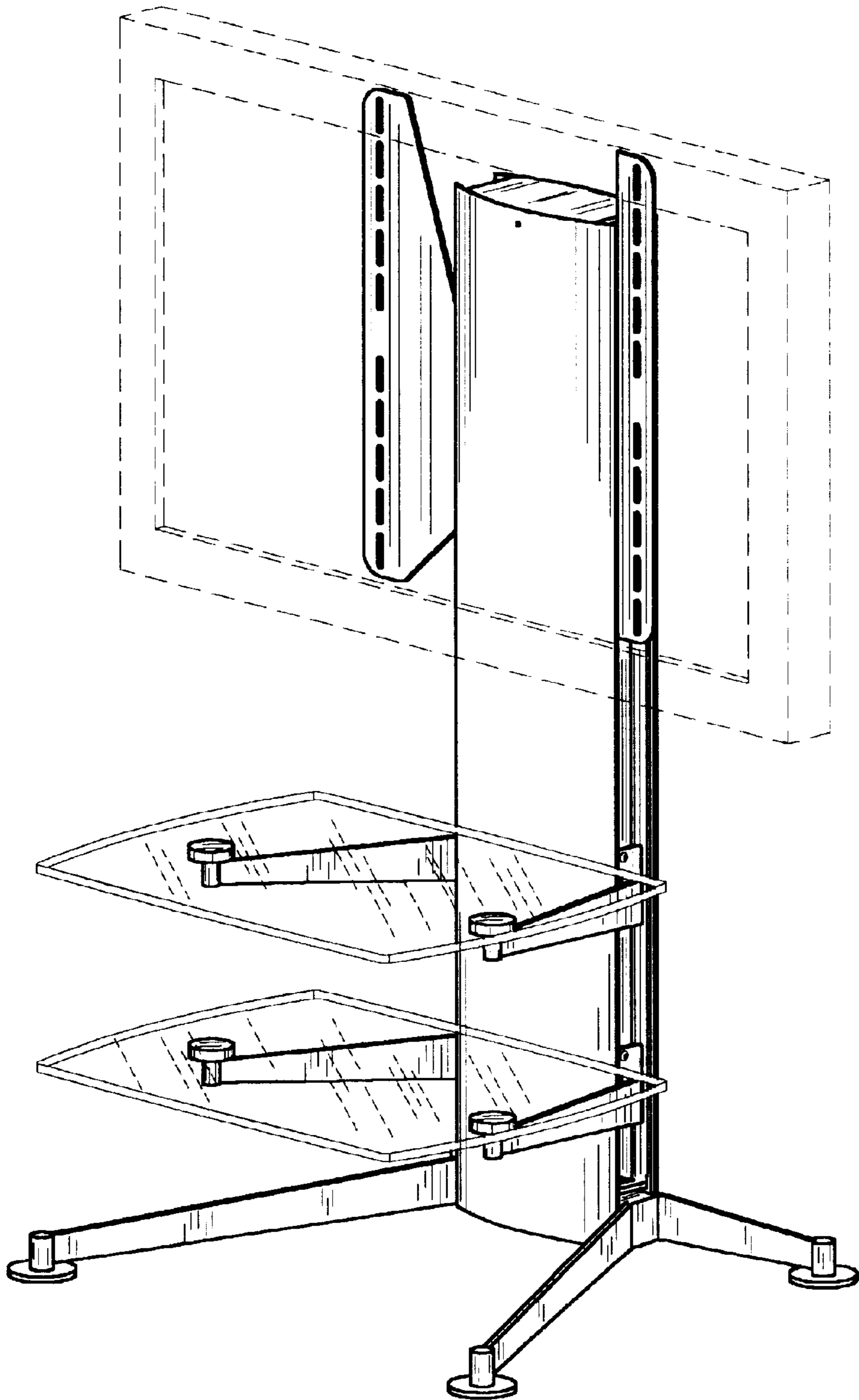


Fig. 1

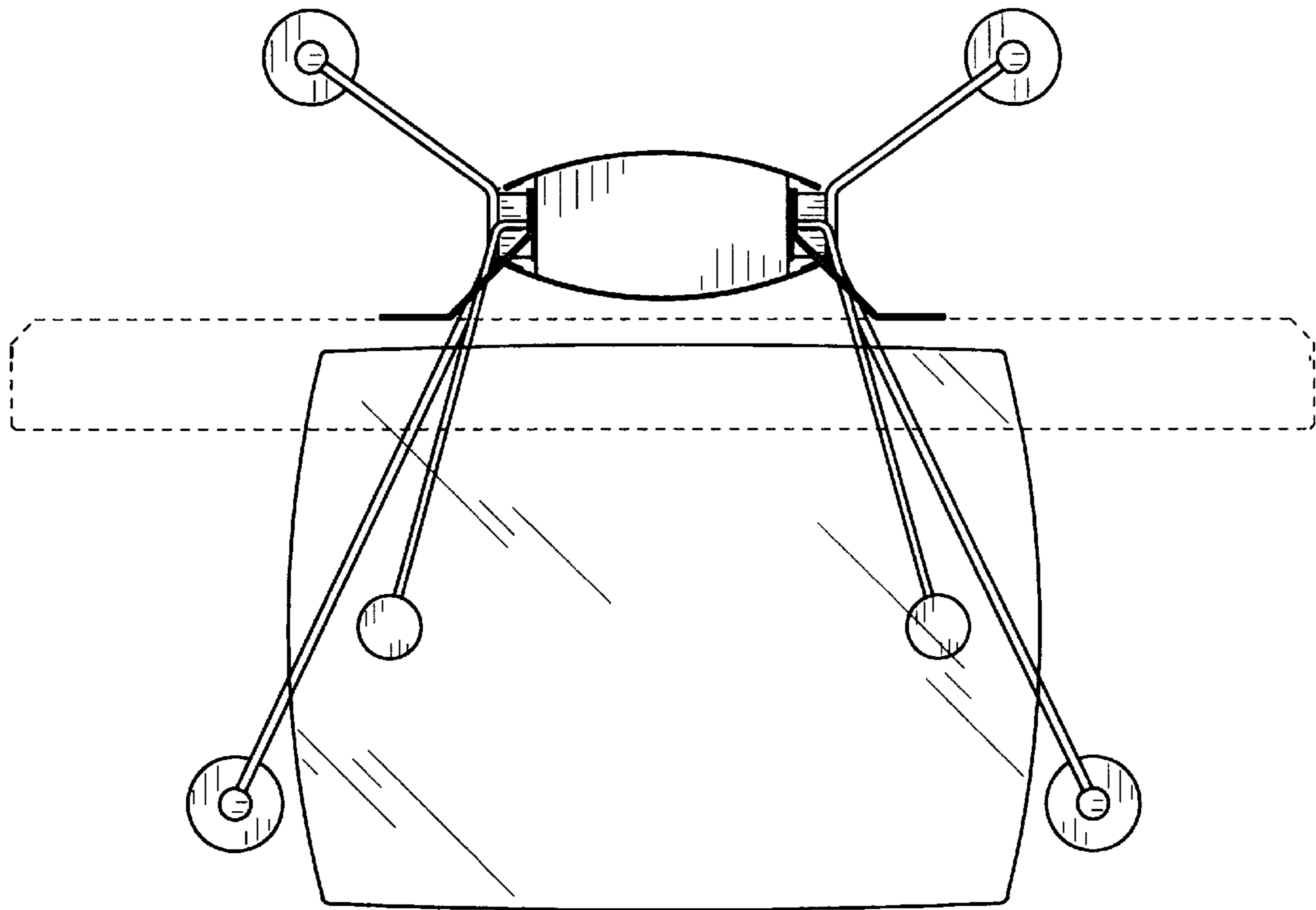


Fig. 2

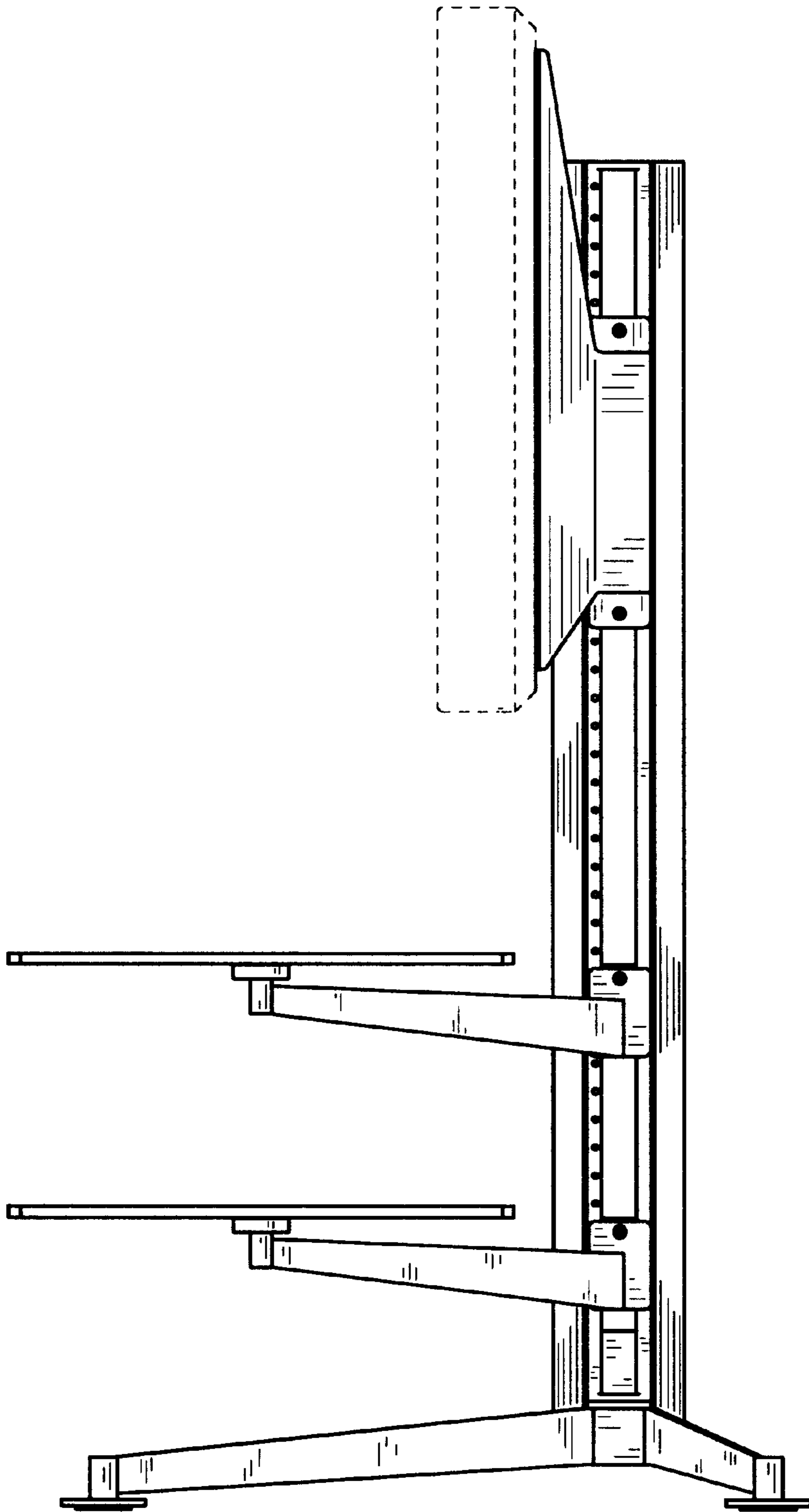


Fig. 3

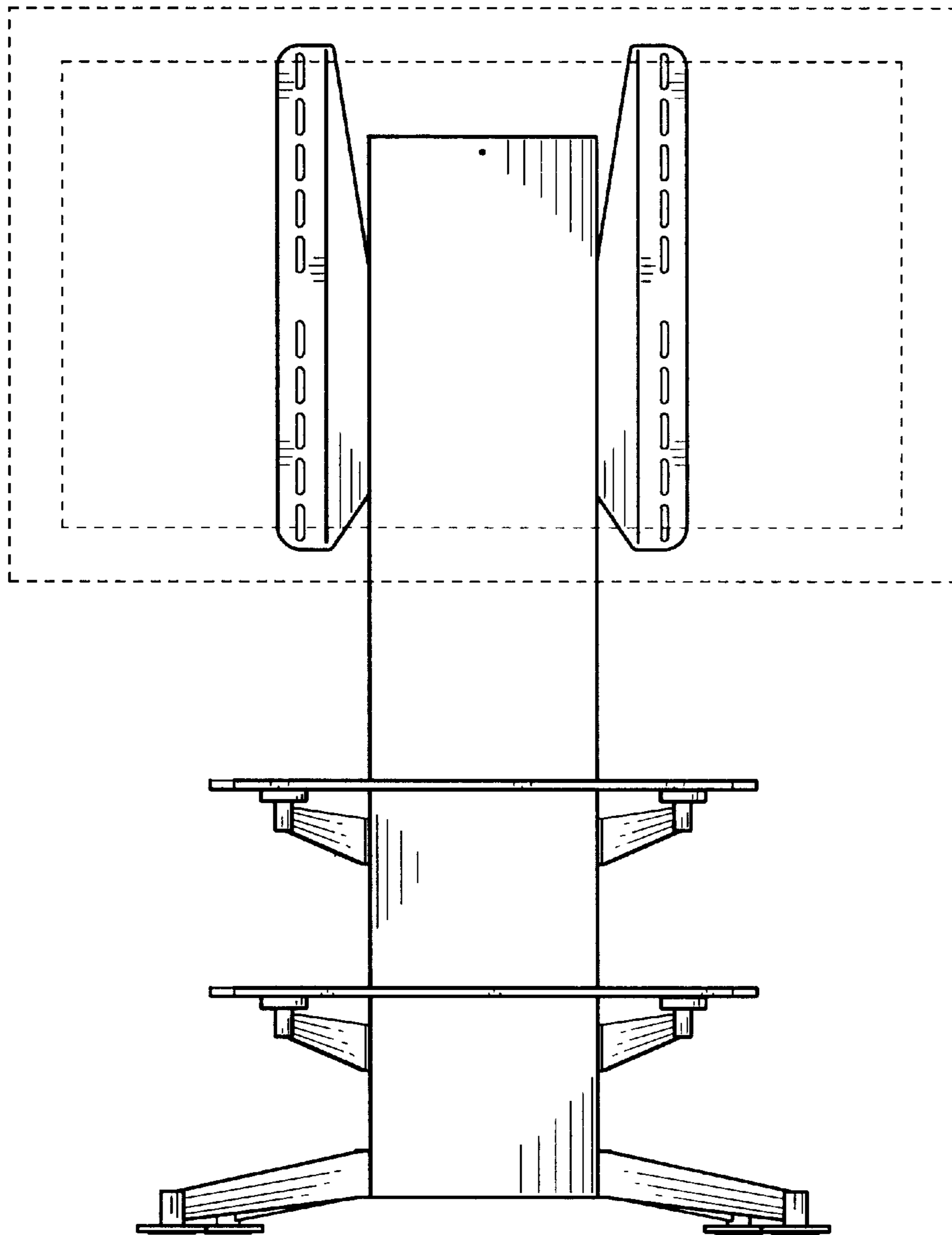


Fig. 4

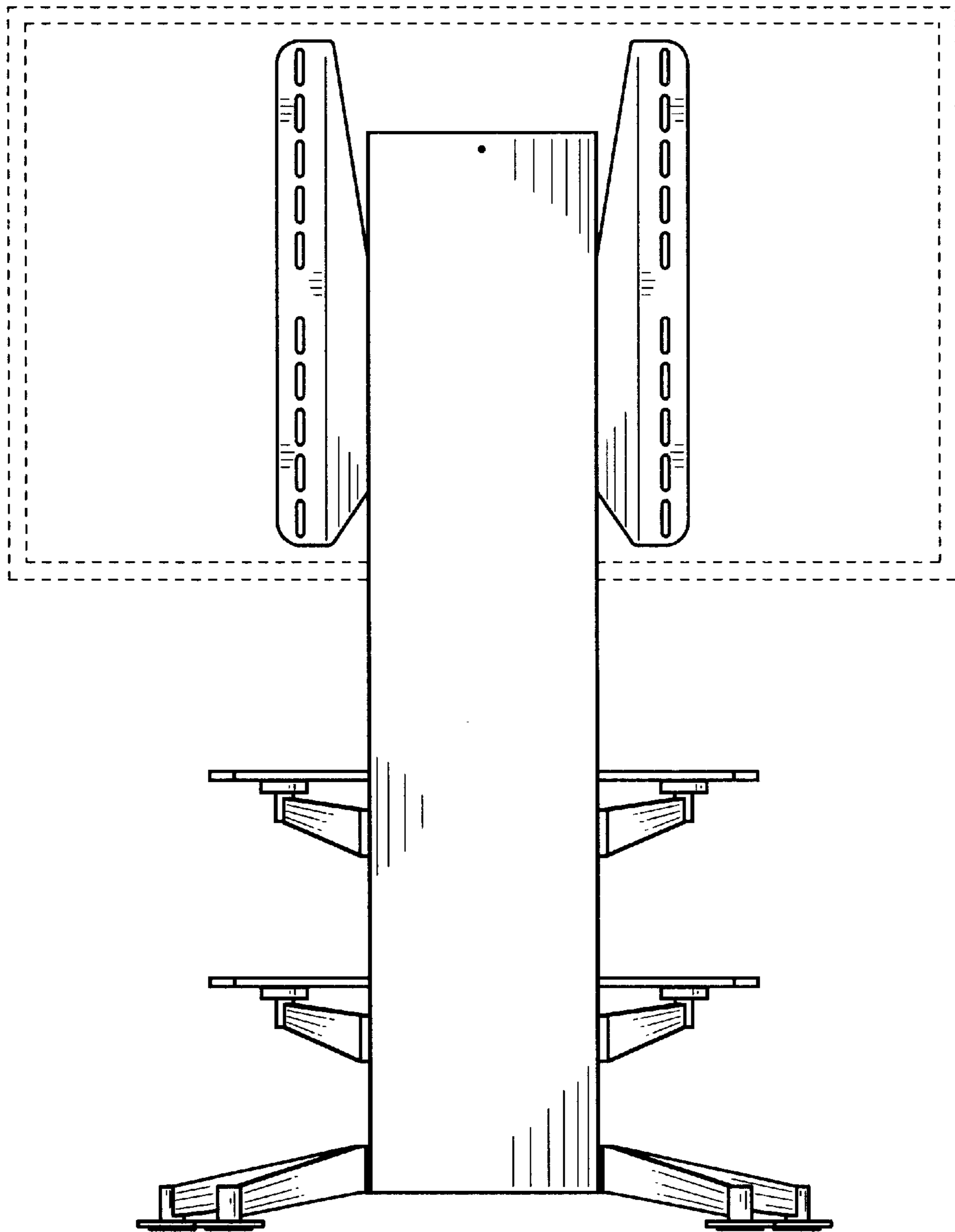


Fig. 5