



US00D474043S

(12) **United States Design Patent**
Chang

(10) **Patent No.:** **US D474,043 S**

(45) **Date of Patent:** **** May 6, 2003**

(54) **COMPUTER TABLE**

D463,922 S * 10/2002 Chang D6/426
D464,213 S * 10/2002 Chang D6/426

(76) Inventor: **Wu-De Chang**, No. 27, Alley 43, Lane 192, Sec. 1, Dong-Shan Rd., Tai-Chung City (TW)

* cited by examiner

(**) Term: **14 Years**

Primary Examiner—Janice E. Seeger
(74) *Attorney, Agent, or Firm*—Charles E. Baxley

(21) Appl. No.: **29/162,377**

(57) **CLAIM**

(22) Filed: **Jun. 17, 2002**

The ornamental design for computer table, as shown and described.

(51) **LOC (7) Cl.** **06-04**

DESCRIPTION

(52) **U.S. Cl.** **D6/426**

FIG. 1 is a perspective view of a computer table showing our new design thereof;

(58) **Field of Search** D6/421–428, 484, D6/477, 419, 420; 108/50.01, 50.02, 28; 312/194–196, 208.1, 208.4, 238

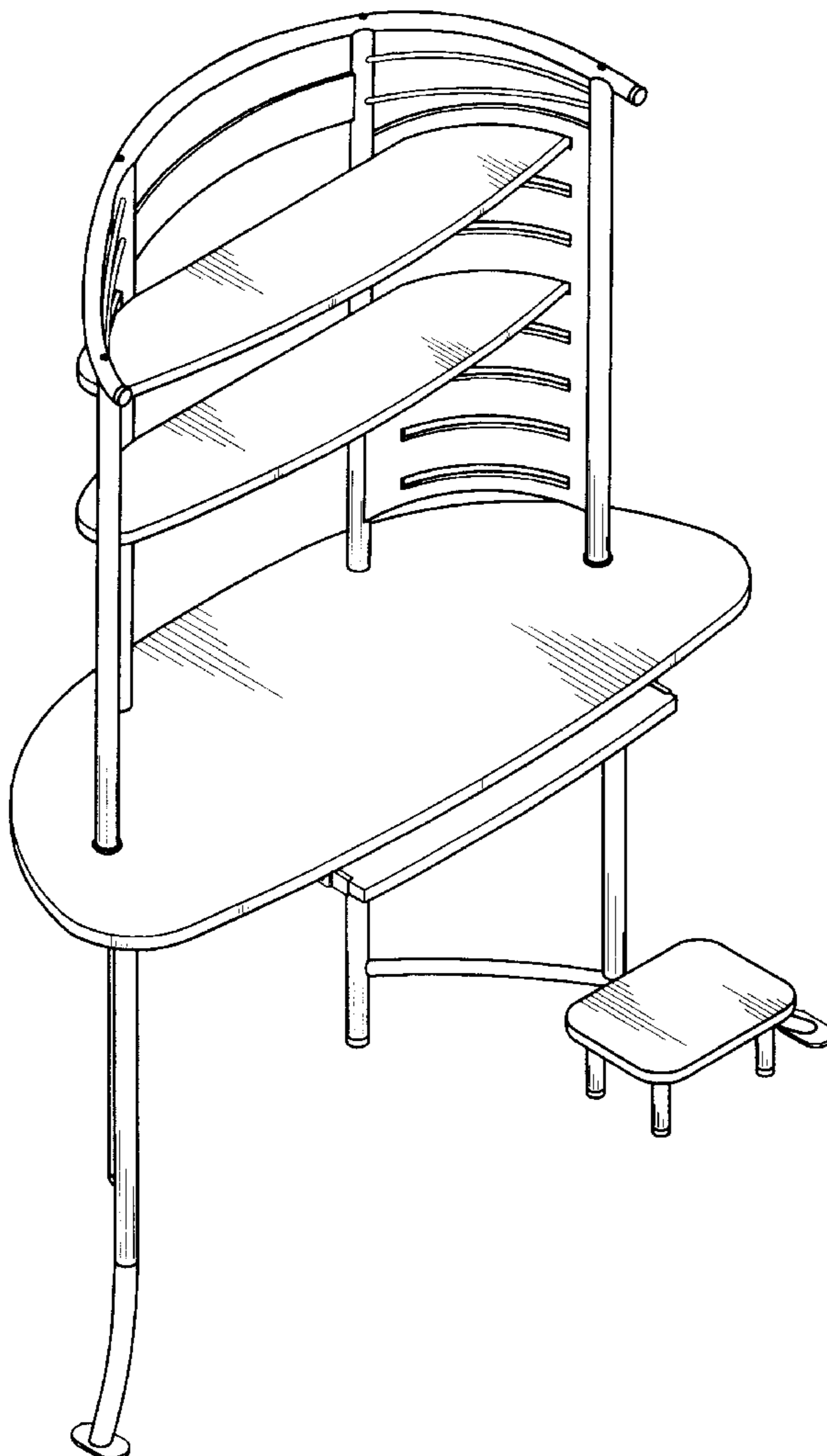
FIG. 2 is a front elevational view thereof;
FIG. 3 is a rear elevational view thereof;
FIG. 4 is a left side elevational view thereof;
FIG. 5 is a right side elevational view thereof;
FIG. 6 is a top plan view thereof; and,
FIG. 7 is a bottom plan view thereof.

(56) **References Cited**

U.S. PATENT DOCUMENTS

D456,633 S * 5/2002 Chang D6/426
D459,110 S * 6/2002 Chang D6/426

1 Claim, 6 Drawing Sheets



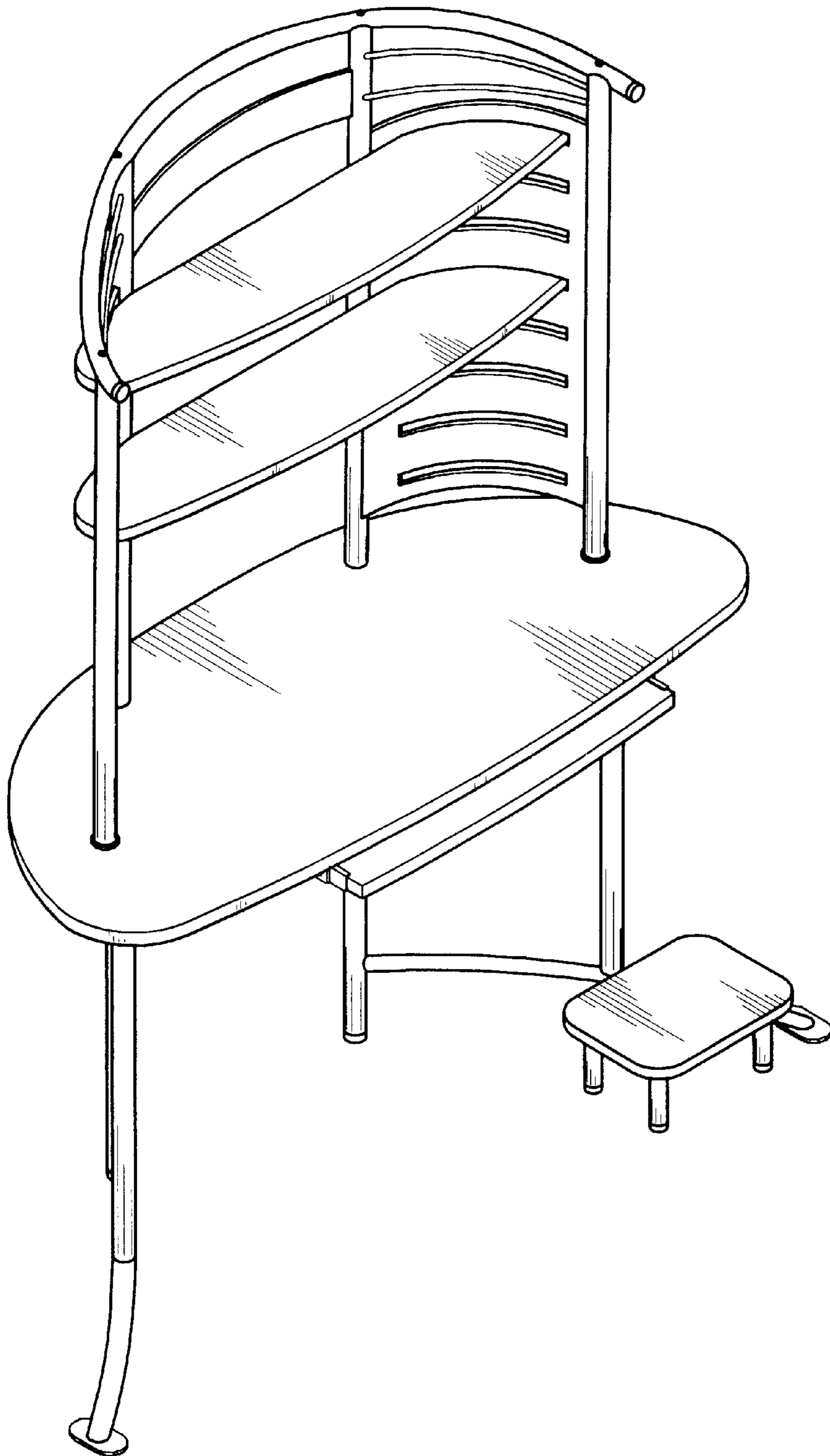


Fig. 1

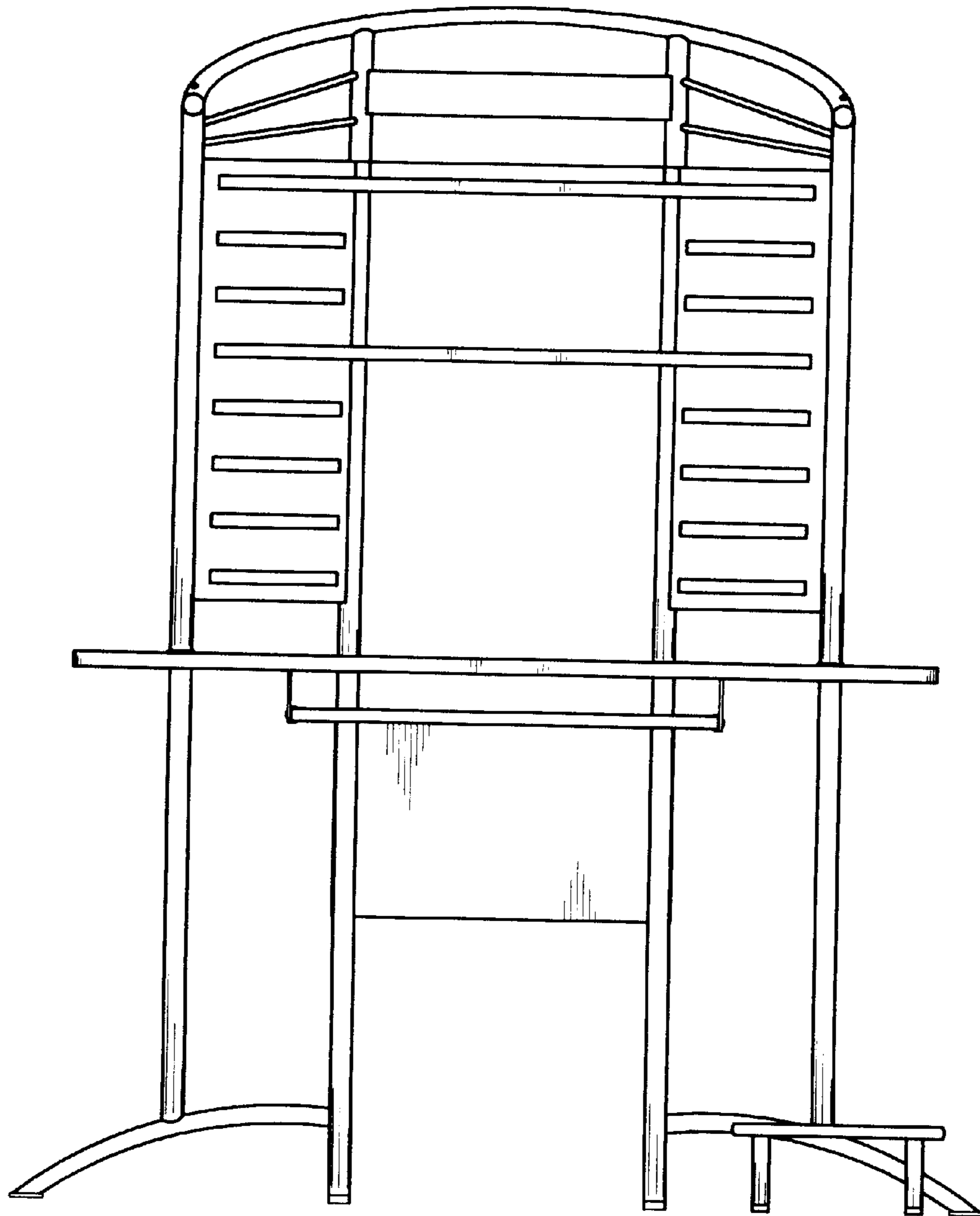


Fig.2

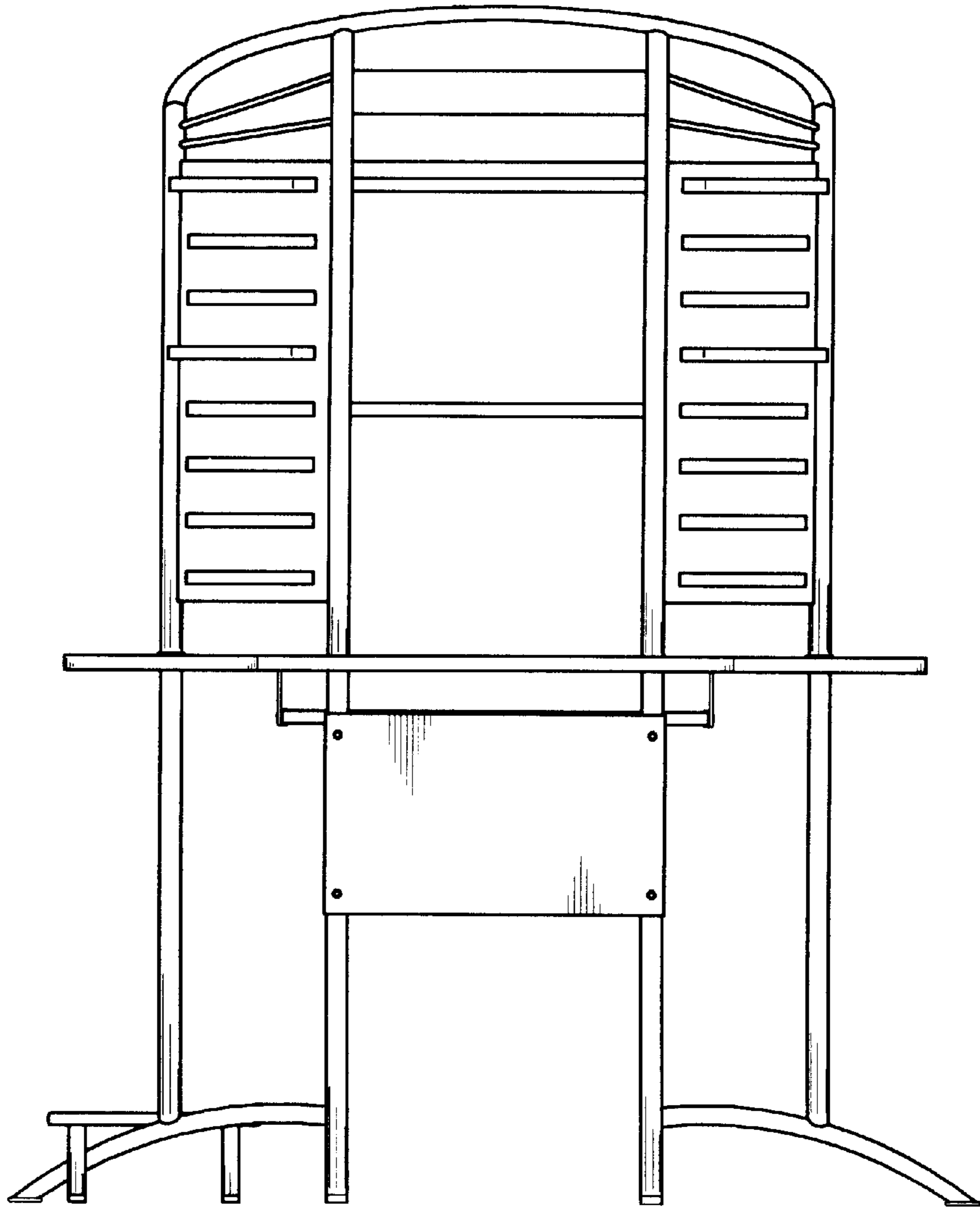


Fig. 3

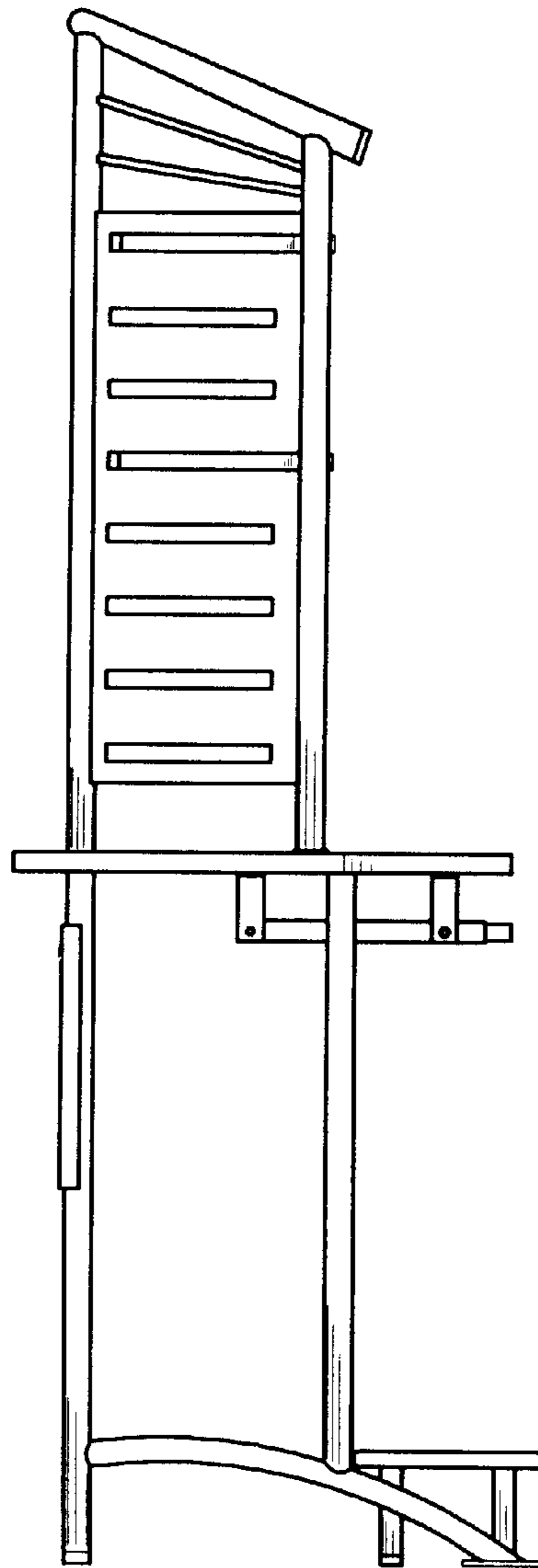


Fig.4

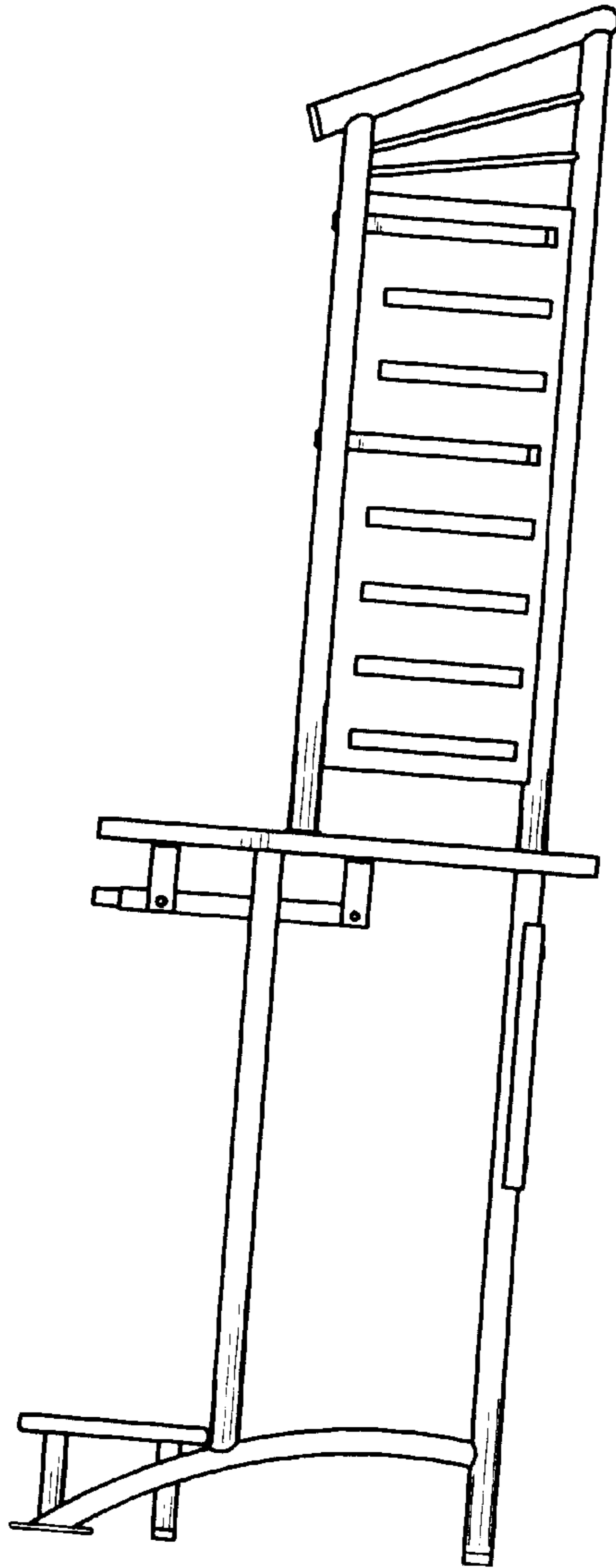


Fig.5

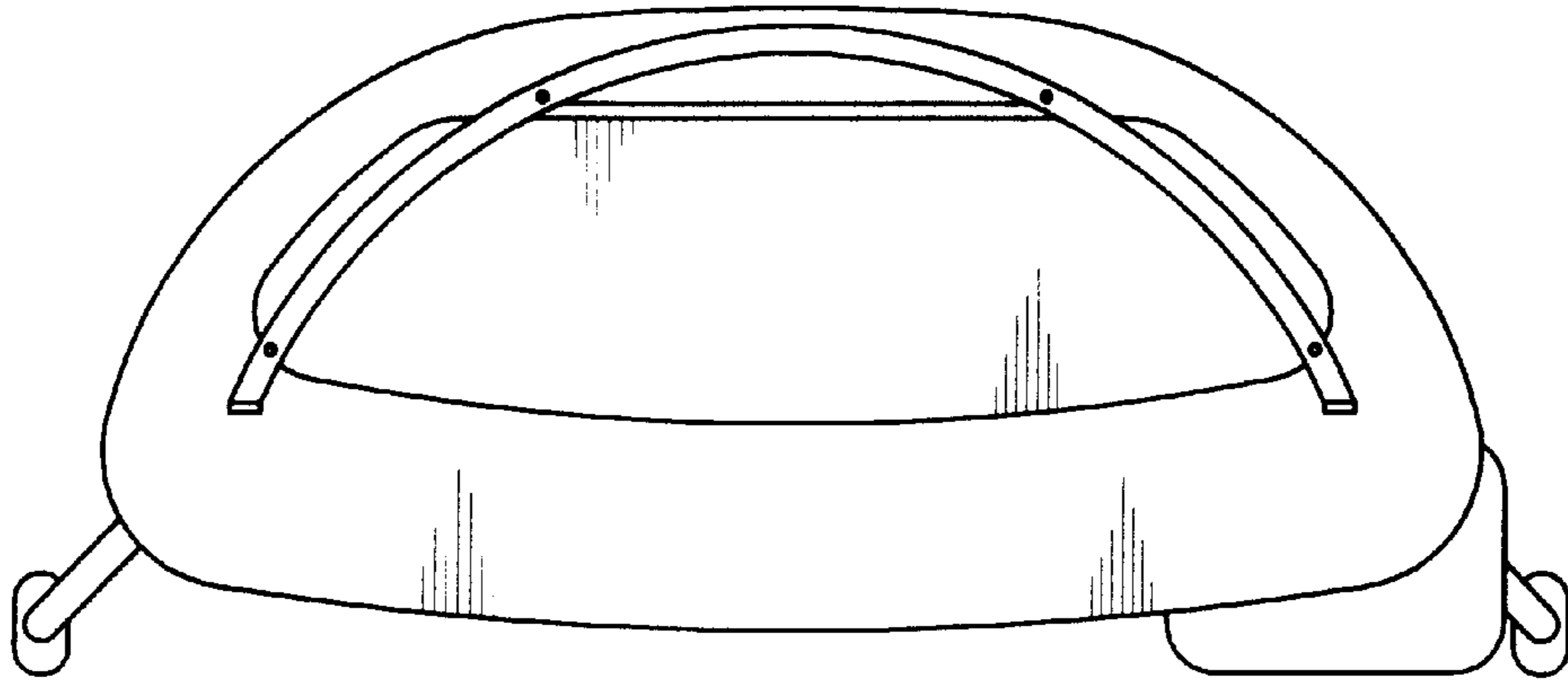


Fig. 6

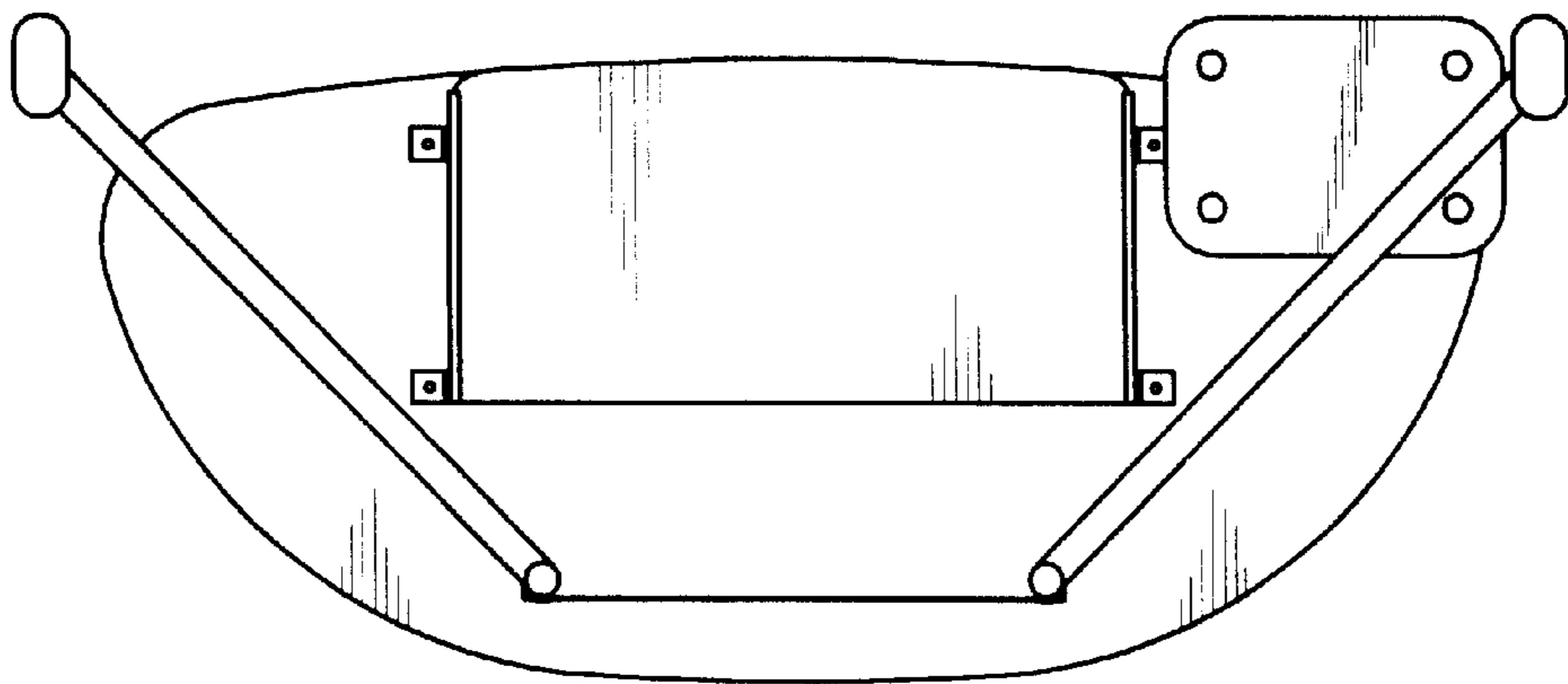


Fig. 7