



US00D474042S

(12) **United States Design Patent**
Chang et al.

(10) **Patent No.:** **US D474,042 S**

(45) **Date of Patent:** **** May 6, 2003**

(54) **STORAGE TRAY DISPENSER**

(75) Inventors: **Yong Hun Chang**, Seoul (KR);
Kyeong Chul Cho, Kyunggi-Do (KR)

(73) Assignee: **LG Electronics Inc.**, Seoul (KR)

(**) Term: **14 Years**

(21) Appl. No.: **29/148,018**

(22) Filed: **Sep. 14, 2001**

(30) **Foreign Application Priority Data**

Mar. 17, 2001 (KR) 2001-6529

(51) **LOC (7) Cl.** **06-04**

(52) **U.S. Cl.** **D6/408**

(58) **Field of Search** D6/396, 408, 449,
D6/473, 515; 221/66, 67, 68, 92, 97, 112,
194, 195, 196, 257; 312/45

(56) **References Cited**

U.S. PATENT DOCUMENTS

2,852,327 A * 9/1958 Mason 312/45
D201,414 S * 6/1965 Johns D6/408

4,586,633 A * 5/1986 Holland et al. 221/257
4,744,489 A * 5/1988 Binder et al. 221/6
5,356,033 A * 10/1994 Delaney 221/194
D369,708 S * 5/1996 Breen D6/515
5,700,075 A * 12/1997 Perone 312/45
D402,837 S * 12/1998 Boire et al. D6/515

* cited by examiner

Primary Examiner—Cathron C. Brooks

(74) *Attorney, Agent, or Firm*—Birch, Stewart, Kolasch & Birch, LLP

(57) **CLAIM**

The ornamental design for a storage tray dispenser, substantially as shown and described.

DESCRIPTION

FIG. 1 is a perspective view of the storage tray dispenser; FIG. 2 is a front view thereof; FIG. 3 is a rear elevational view thereof; FIG. 4 is a left side elevational view thereof; FIG. 5 is a right-side elevational view thereof; FIG. 6 is a top plan view thereof; and, FIG. 7 is a bottom plan view thereof.

1 Claim, 2 Drawing Sheets

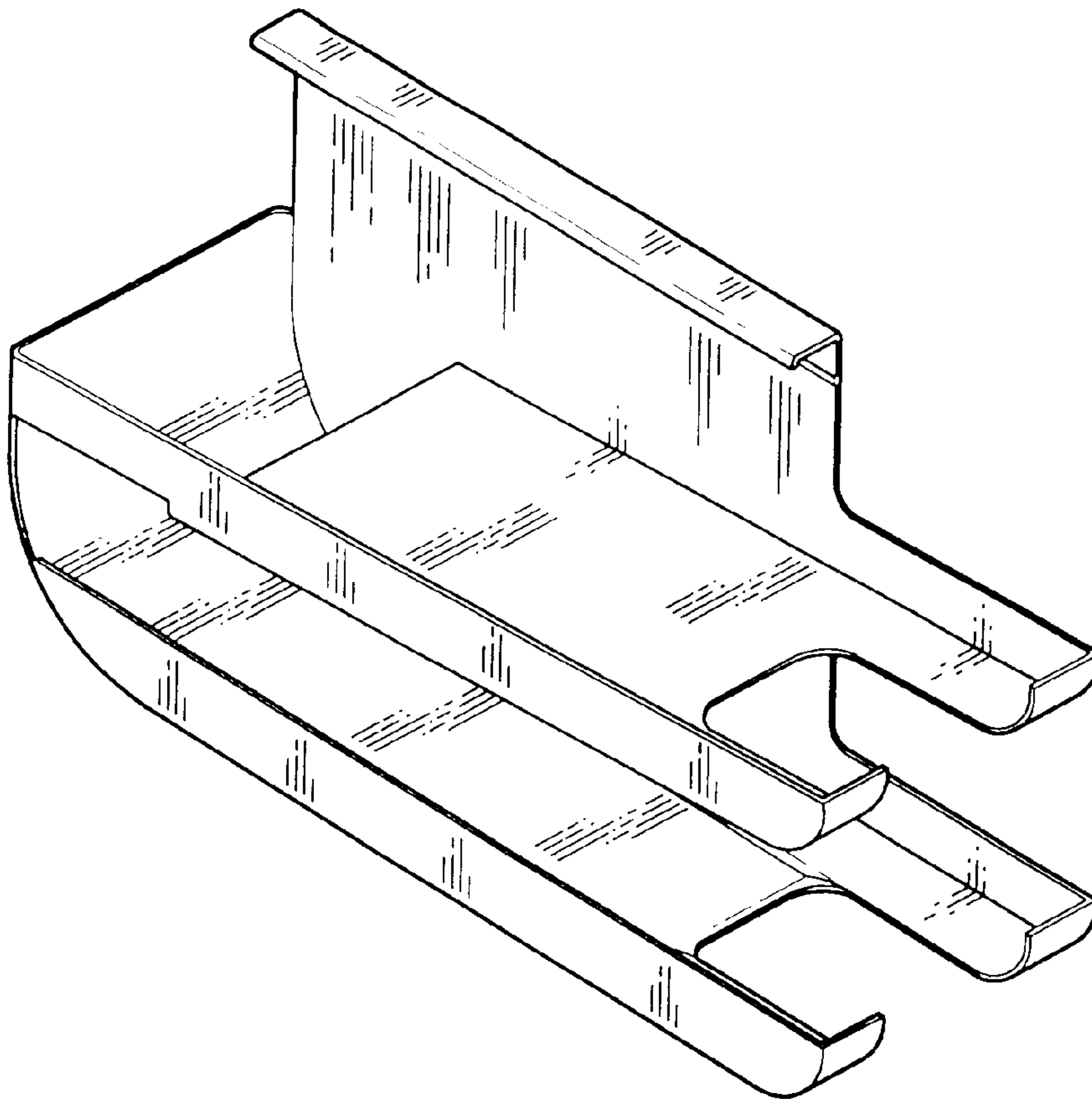


FIG. 1

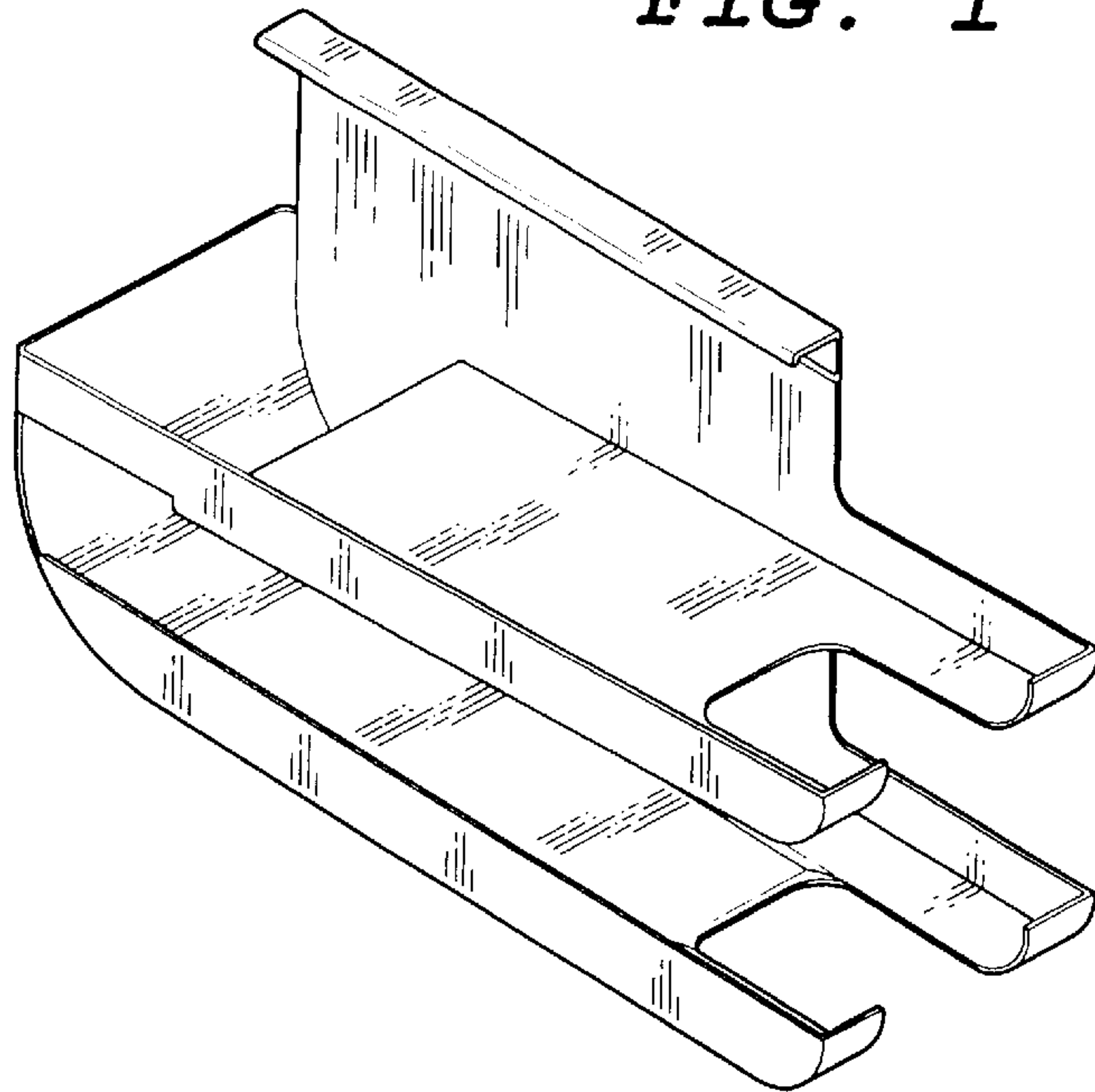


FIG. 2

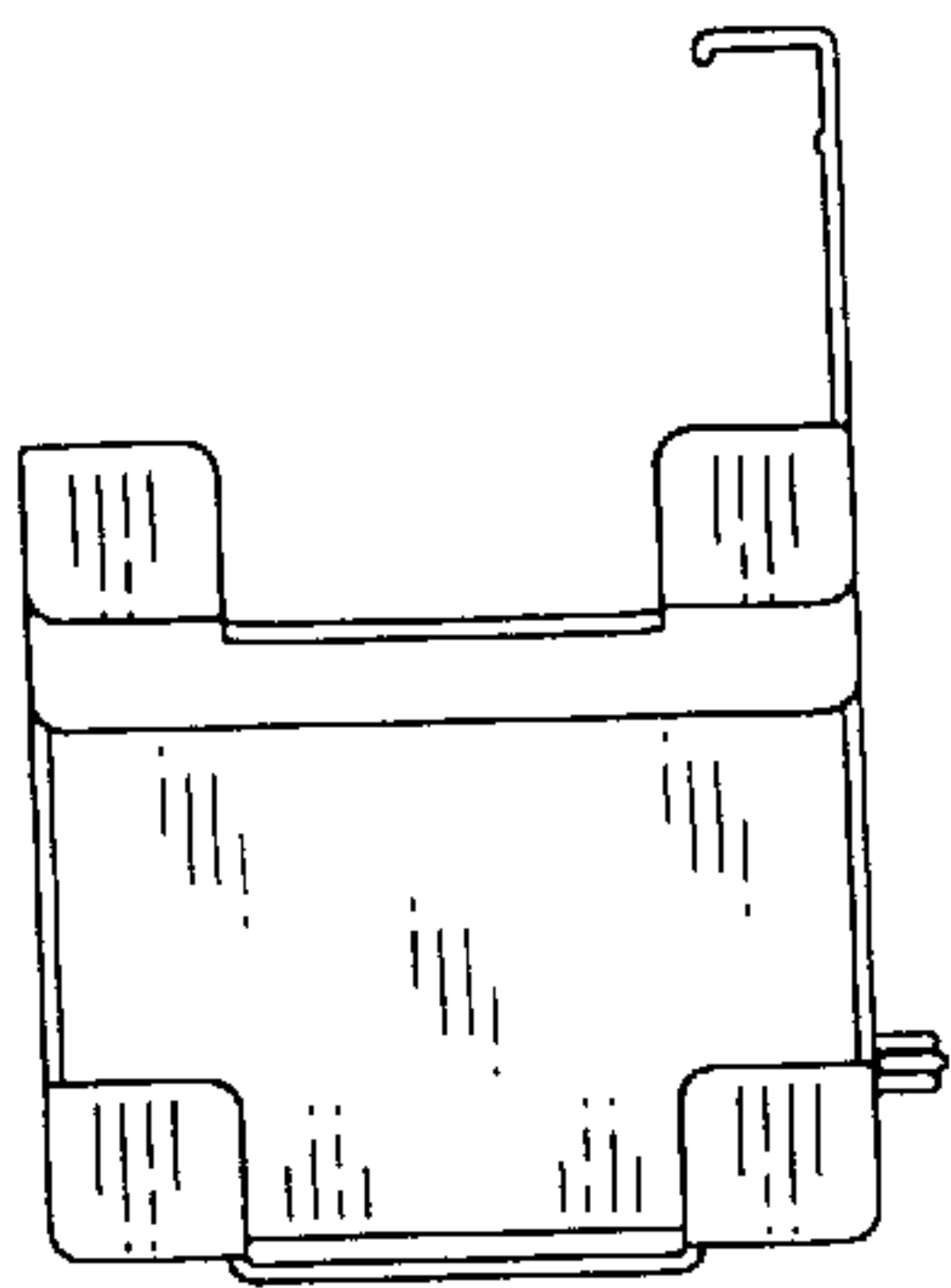


FIG. 3

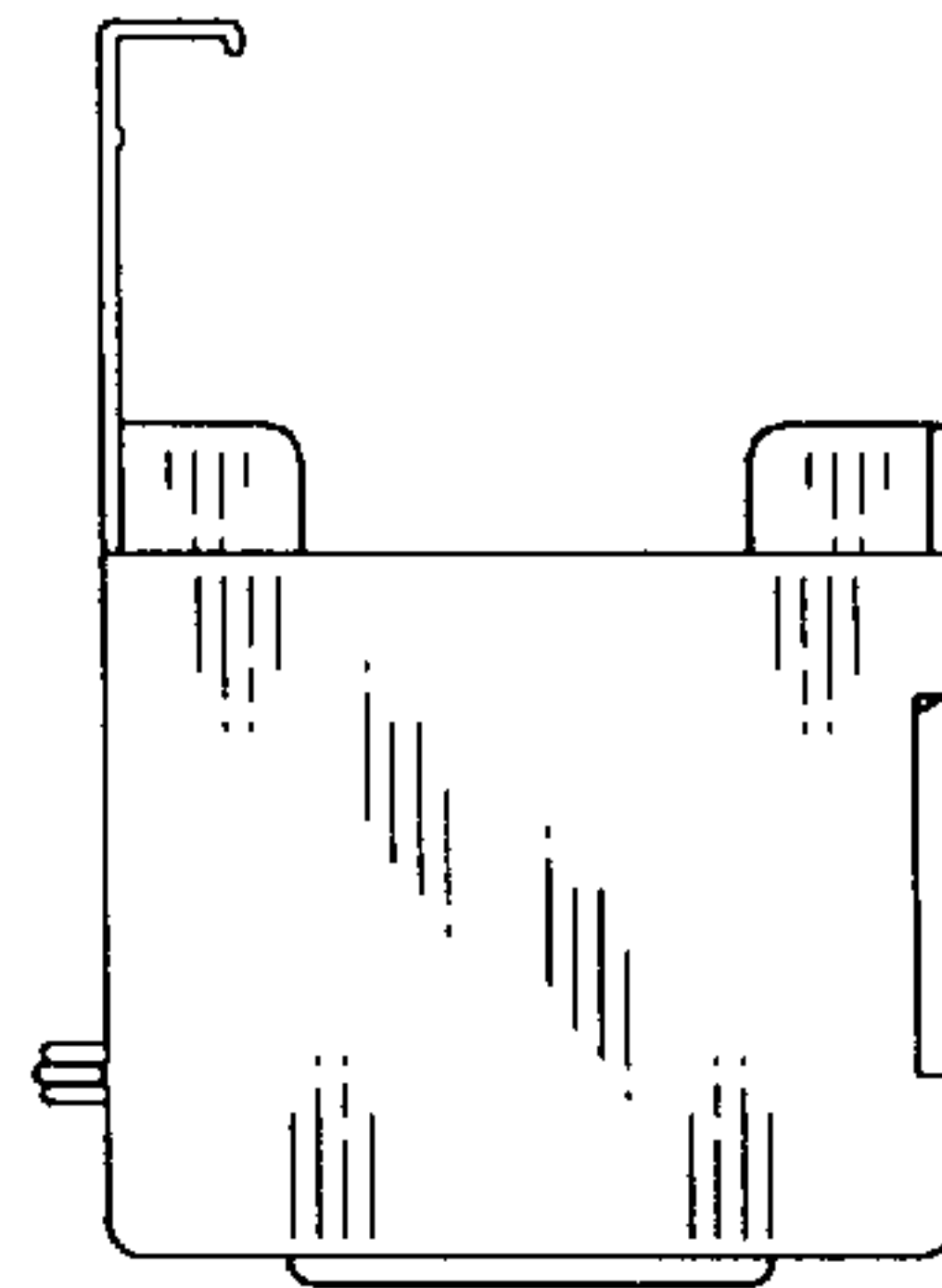


FIG. 4

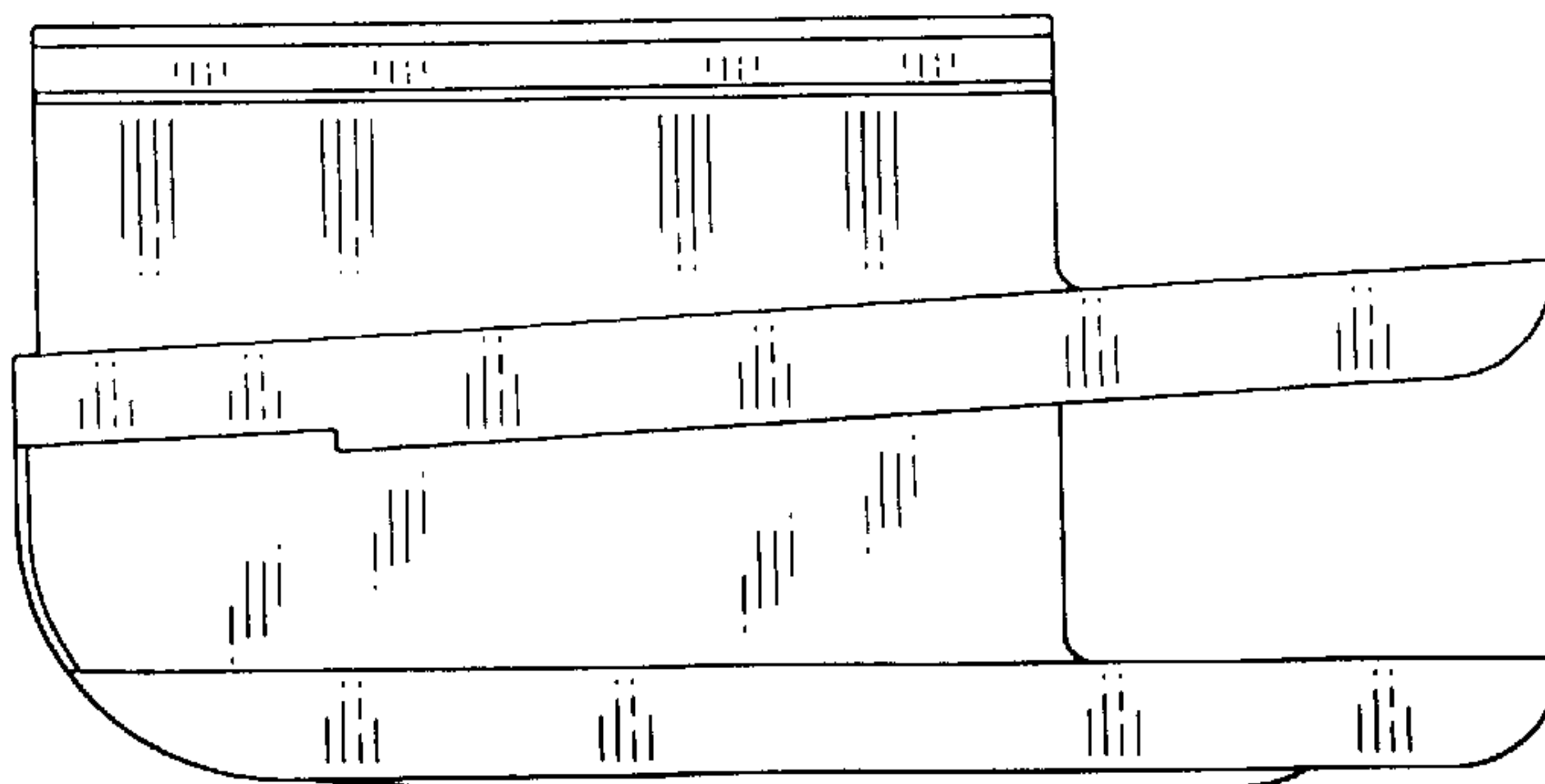


FIG. 5

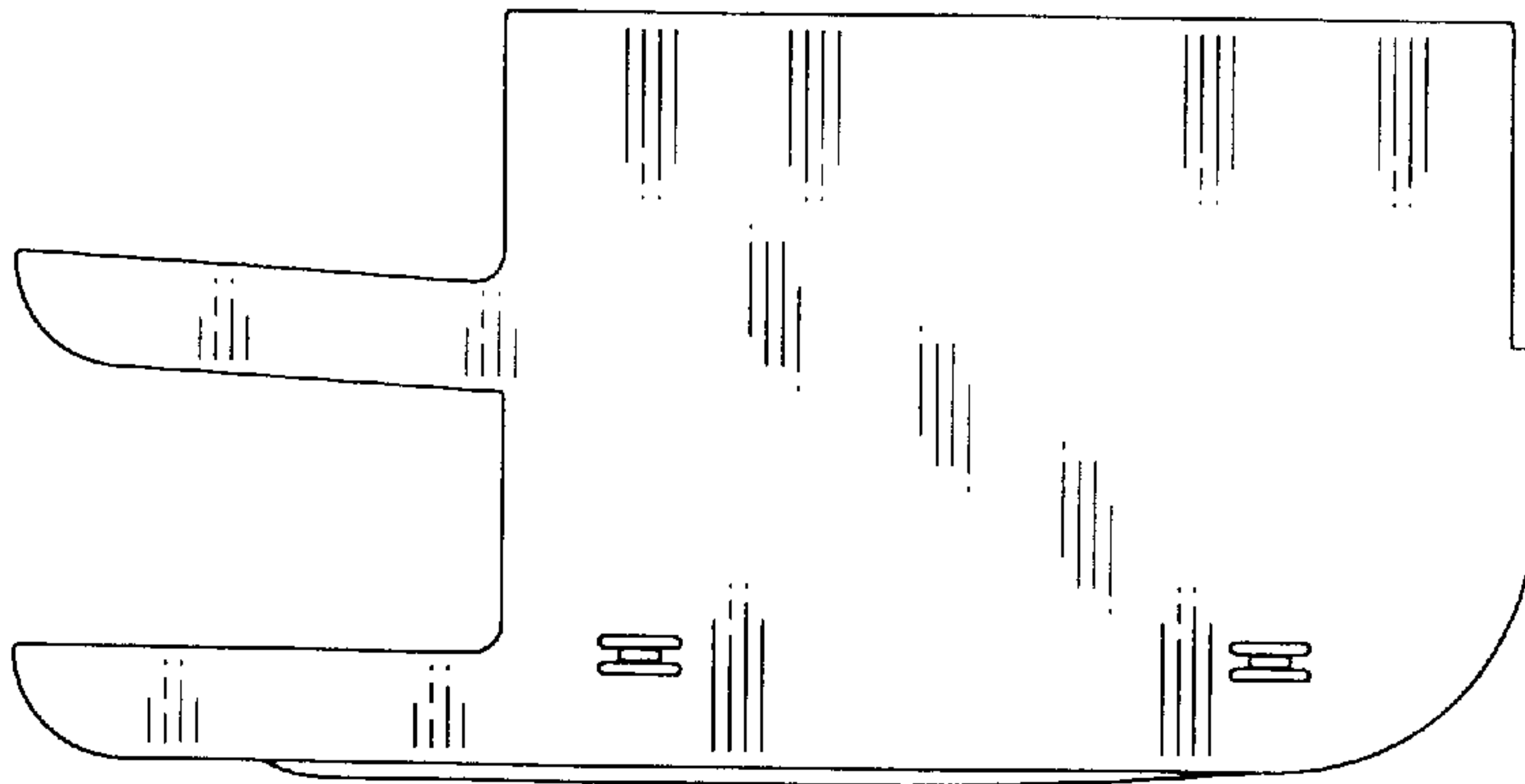


FIG. 6

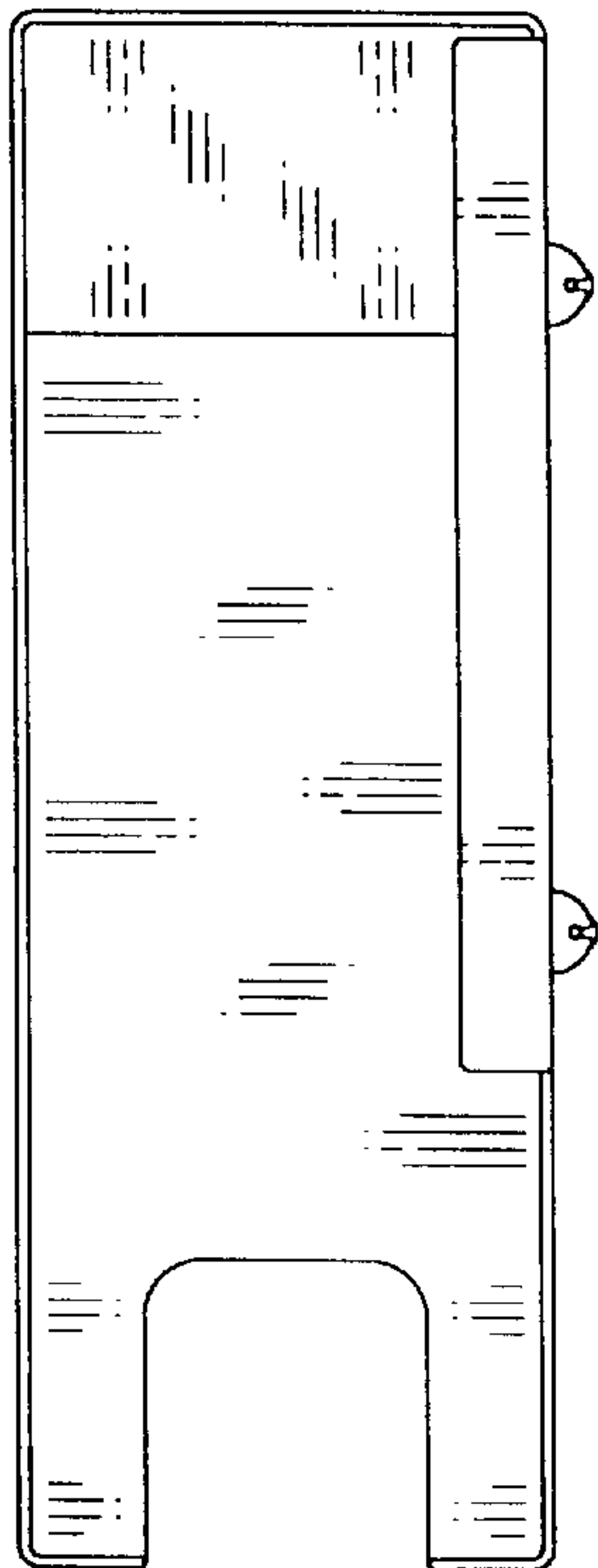


FIG. 7

