



US00D474041S

(12) **United States Design Patent**
Howard et al.

(10) **Patent No.:** **US D474,041 S**

(45) **Date of Patent:** **** May 6, 2003**

(54) **PORTABLE FOLDING CHAIR**

(75) Inventors: **Tito L. Howard**, 5996 S. Crocker St., Littleton, CO (US) 80120; **Joseph O. Church**, Englewood, CO (US)

(73) Assignee: **Tito L. Howard**, Littleton, CO (US)

(**) Term: **14 Years**

(21) Appl. No.: **29/164,994**

(22) Filed: **Aug. 2, 2002**

(51) **LOC (7) Cl.** **06-01**

(52) **U.S. Cl.** **D6/368; D6/363**

(58) **Field of Search** D6/334, 335, 336, D6/354, 363, 368, 500-502; 297/16.1, 16.2, 55, 57, 118, 129, 195.11; 135/66, 74; 248/164; 108/173

(56) **References Cited**

U.S. PATENT DOCUMENTS

2,542,040	A	*	2/1951	MacLellan	108/119
2,831,583	A	*	5/1958	Wright et al.	108/173
3,310,340	A	*	3/1967	Brewer et al.	297/16.1
D218,508	S	*	8/1970	Norman	D6/368
D251,098	S	*	2/1979	Diedrich et al.	D6/354
4,148,523	A	*	4/1979	Brand et al.	297/55
D284,429	S	*	7/1986	Garde	D6/368
D338,345	S	*	8/1993	Camp	D6/363
D396,569	S	*	8/1998	Chen	D6/368
D400,724	S	*	11/1998	Richter	D6/368

OTHER PUBLICATIONS

“AutoFold Website Material” obtained from www.autofold.com Provided by AutoFold, 188 East Street, Fitchburg, MA 01420, USA.

“Jiffy Seat Information Pamphlet” provided by Jiffy Seat, 30 Creek Run Bluff, Flagler Beach, FL 32136, USA.

“Sport Seat Website Material” obtained from www.sports-eat.com, Provided by Sport Seats International, Inc., #1, 5918—5th Street SE, Calgary, Alberta, Canada T2H1L4.

“Edwin Watts Golf Shops Website Material” obtained from www.edwinwatts.com Provided by Edwin Watts Golf Shops, 20 Hill Ave., Fort Walton Beach, FL 32548.

“House of Canes Website Material” Obtained from www.houseofcanes.com Provided by House of Canes, P.O. Box 574, Wilderville, OR 97543.

“House of Scotland Website Material” Obtained from www.ottawa.microworks.com Provided by House of Scotland, 603 Fraser Ave., Ottawa, Ontario, Canada K2A2R6.

“Bischoff’s Medical Mart Website Material” Obtained from www.bischoffs.com Provided by Bischoff’s Medical Mart, 1465 B. Chaplin Ave., Burlingame, CA 94010.

* cited by examiner

Primary Examiner—Doris V. Coles

Assistant Examiner—Mimosa De

(74) *Attorney, Agent, or Firm*—Timothy J. Martin; Michael R. Henson; Rebecca A. Gegick

(57) **CLAIM**

The ornamental design for a portable folding chair, as shown and described.

DESCRIPTION

FIG. 1 is a perspective view of a portable folding chair showing our new design;

FIG. 2 is a front elevational view thereof;

FIG. 3 is a top plan view thereof;

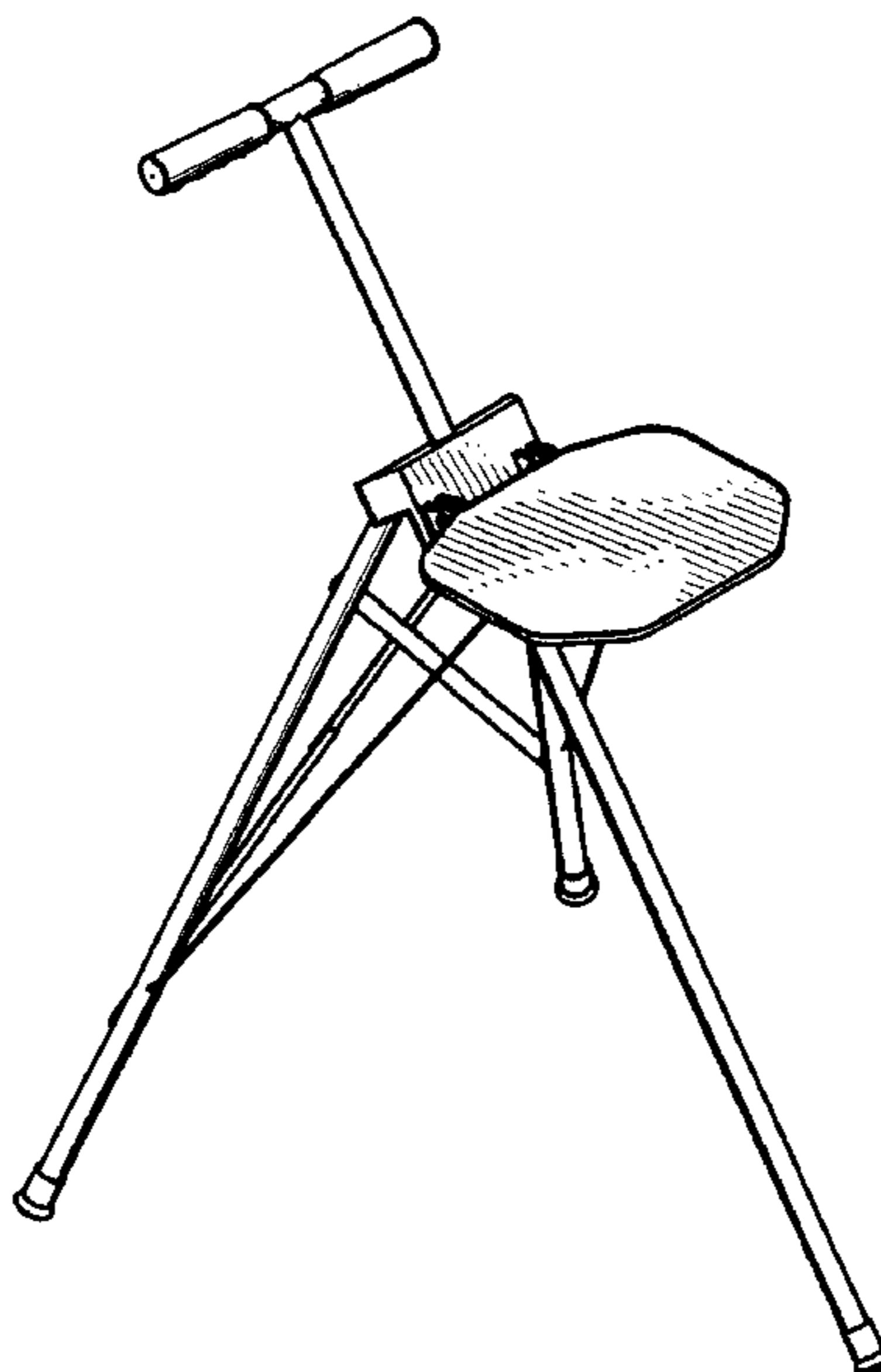
FIG. 4 is a left side view in elevation thereof;

FIG. 5 is a right side view in elevation thereof;

FIG. 6 is a bottom plan view thereof; and,

FIG. 7 is a rear elevational view thereof.

1 Claim, 2 Drawing Sheets



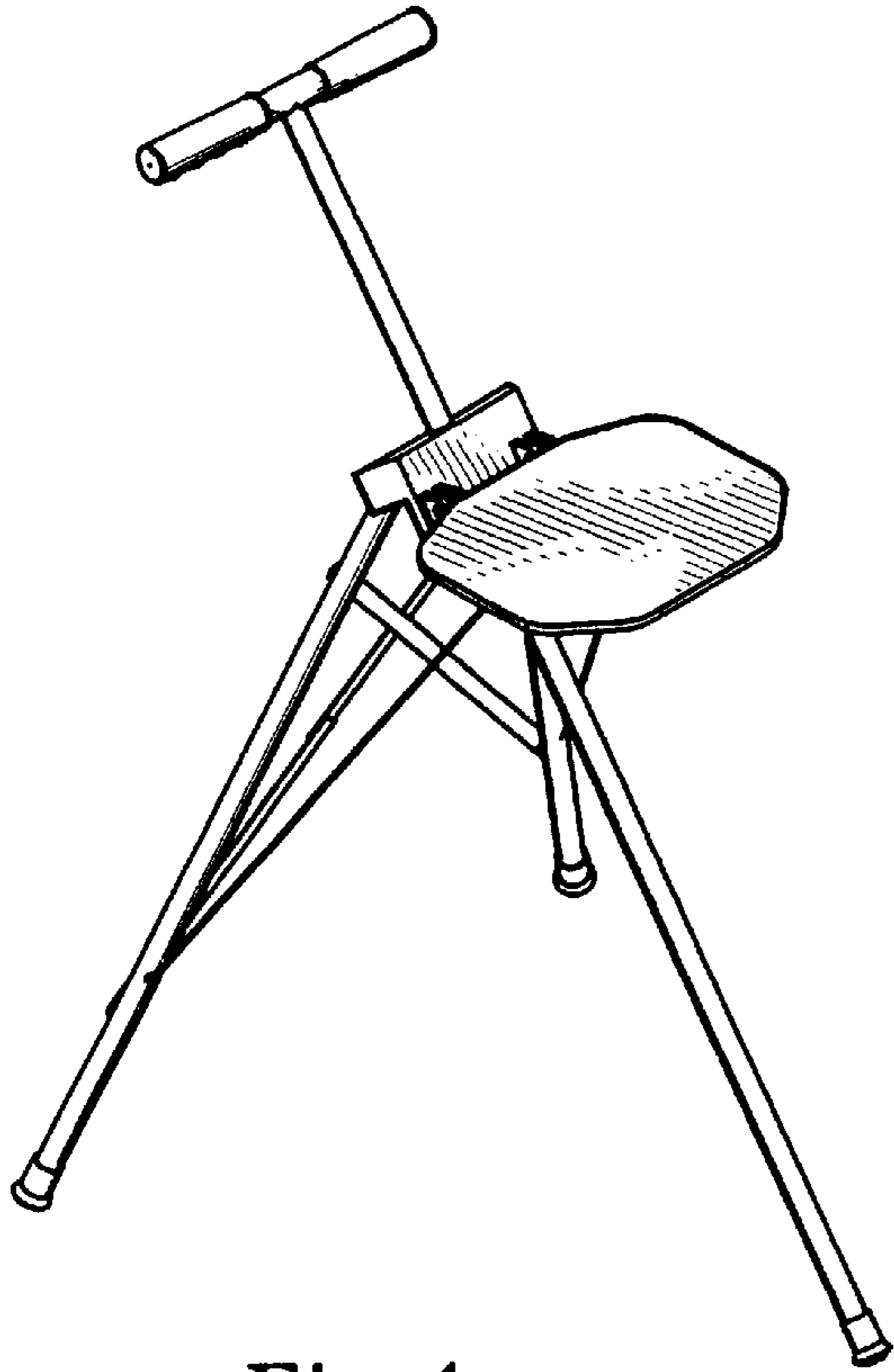


Fig.1

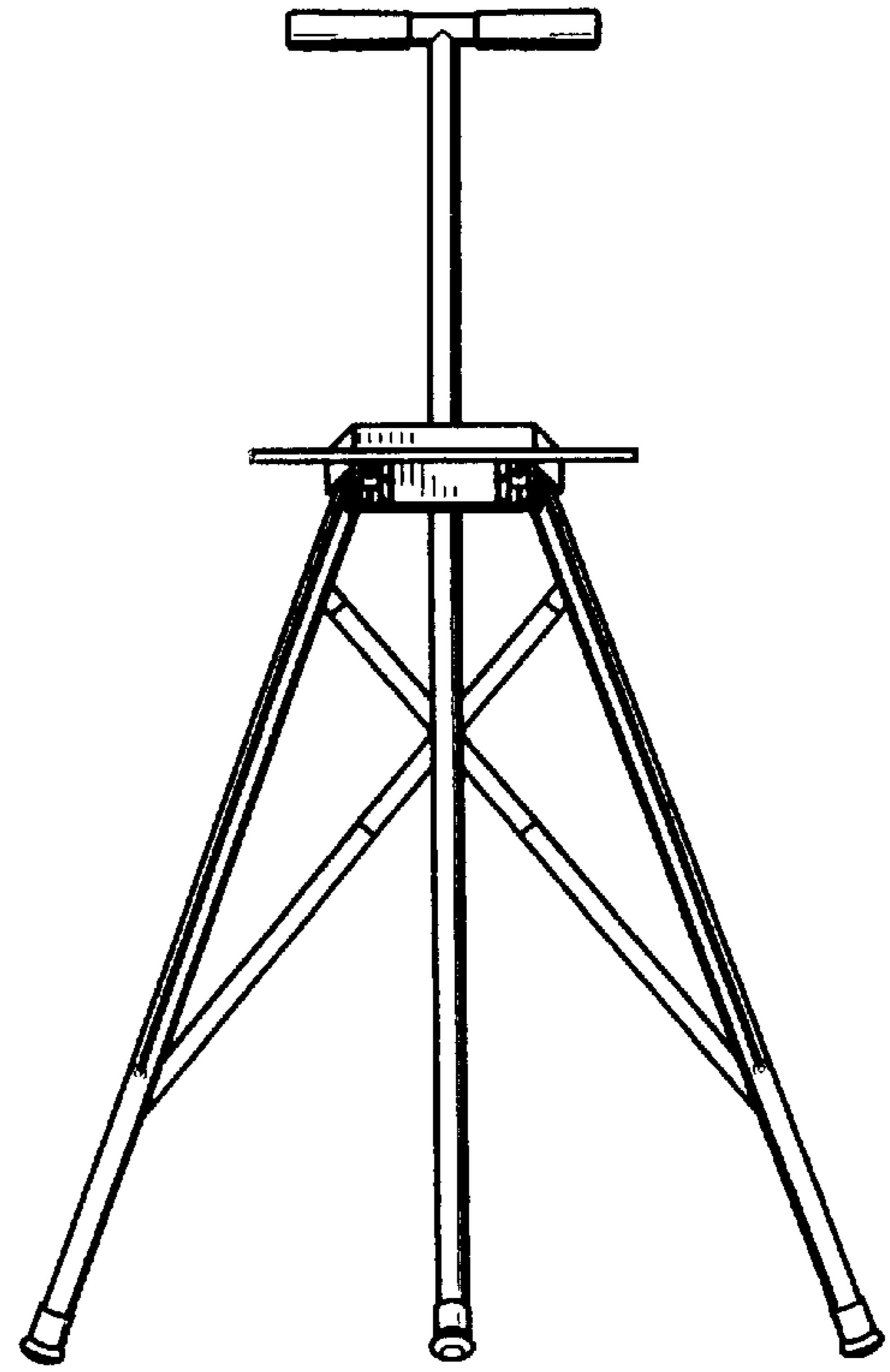


Fig.2

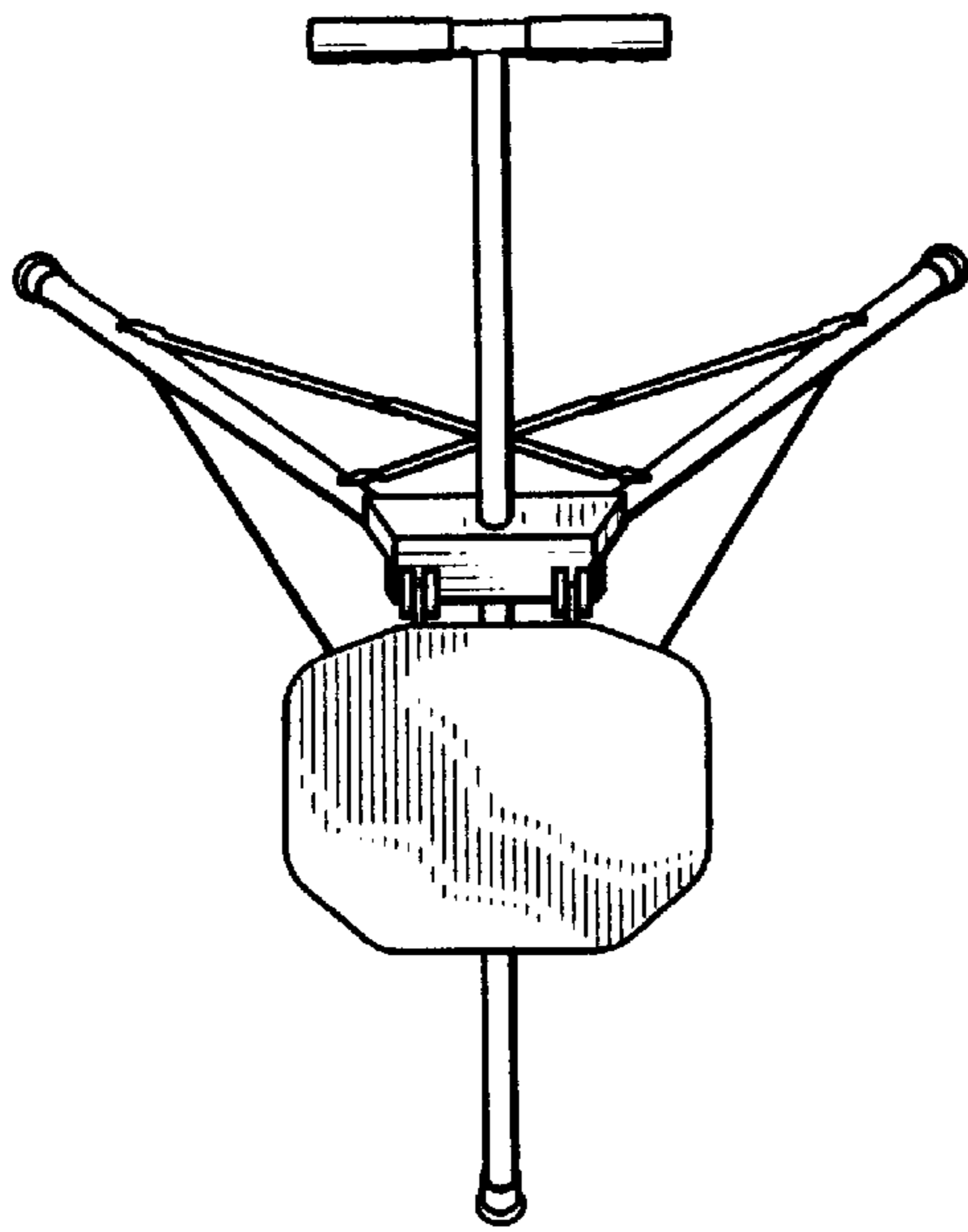


Fig.3

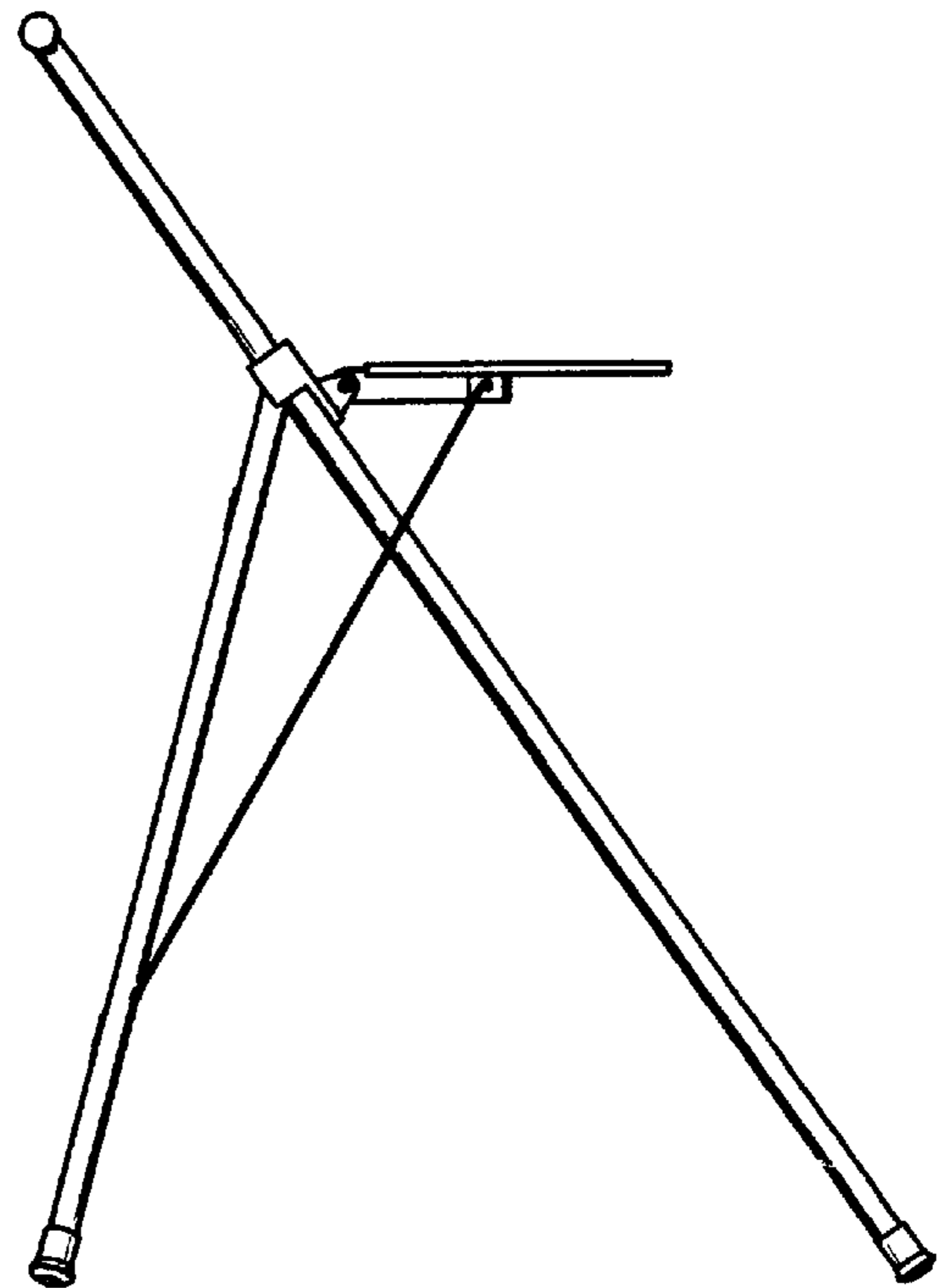


Fig.4

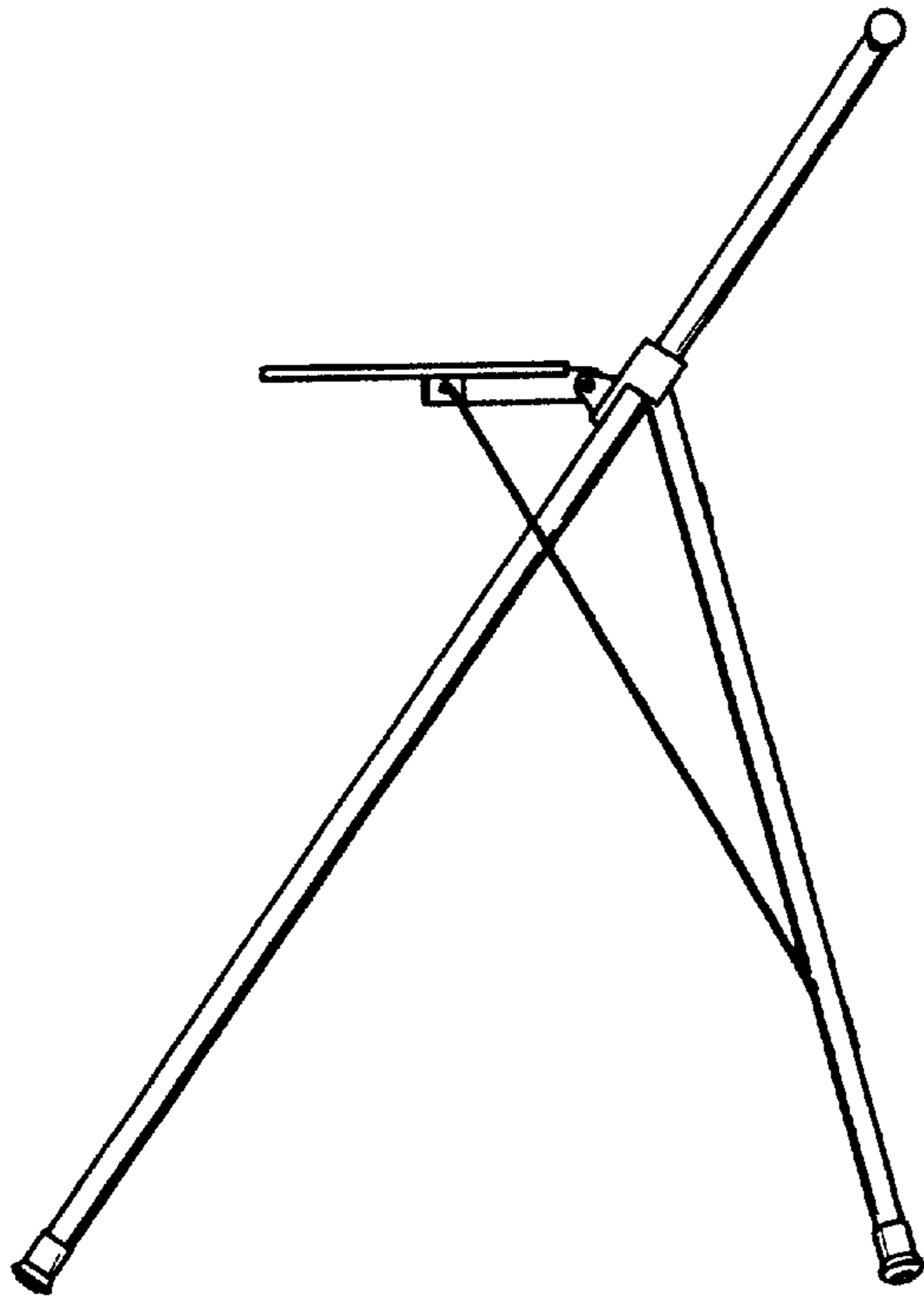


Fig.5

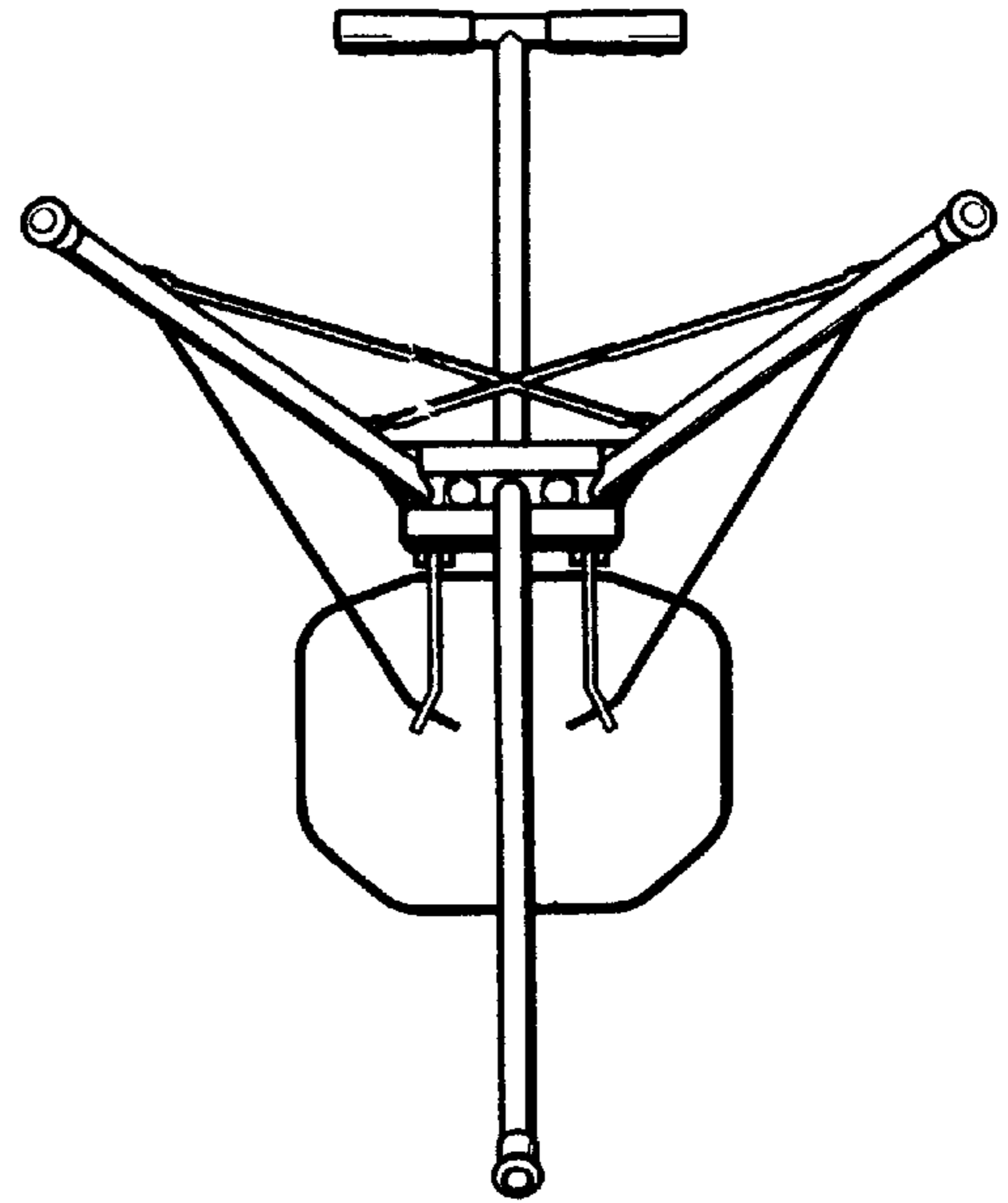


Fig.6

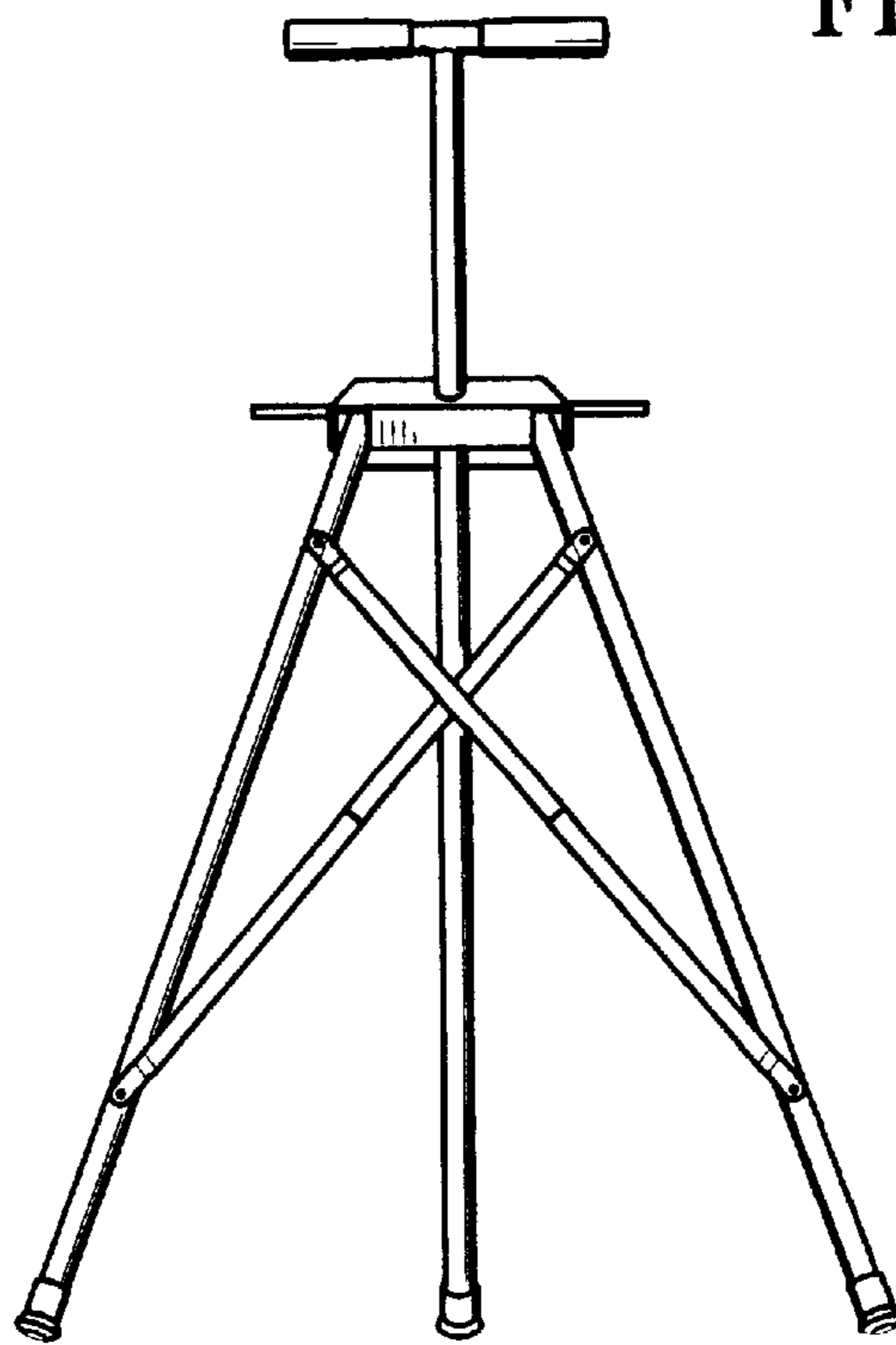


Fig.7